

US00D493461S1

(12) **United States Design Patent**
Kanatani et al.

(10) **Patent No.:** **US D493,461 S**
(45) **Date of Patent:** **** Jul. 27, 2004**

(54) **ARITHMETIC AND CONTROL UNIT**

(75) Inventors: **Masakazu Kanatani**, Tokyo (JP);
Hiroshi Yasutomi, Tokyo (JP)

(73) Assignee: **Sony Computer Entertainment Inc.**,
Tokyo (JP)

(**) Term: **14 Years**

(21) Appl. No.: **29/194,512**

(22) Filed: **Nov. 26, 2003**

(30) **Foreign Application Priority Data**

May 27, 2003 (JP) 2003-018792

(51) **LOC (7) Cl.** **14-02**

(52) **U.S. Cl.** **D14/356**

(58) **Field of Search** D14/125, 356,
D14/368, 496; D13/184

(56) **References Cited**

U.S. PATENT DOCUMENTS

- D314,188 S * 1/1991 Izaki D14/355
- D322,428 S * 12/1991 Sato et al. D14/355
- D331,570 S * 12/1992 Koiwa D14/354
- D344,267 S * 2/1994 Ueda et al. D14/355
- D387,740 S * 12/1997 Kondo D14/368
- D407,393 S * 3/1999 Kazama D14/125
- D412,495 S * 8/1999 Shibata D14/356

- D436,105 S * 1/2001 Goto D14/356
- D441,375 S * 5/2001 Hisatsune et al. D14/496
- D445,789 S * 7/2001 Zmehrir D14/356
- D470,465 S * 2/2003 Lee D14/125
- D482,369 S * 11/2003 Matuschek D14/496

* cited by examiner

Primary Examiner—Joel Sincavage

(74) *Attorney, Agent, or Firm*—Rader, Fishman & Grauer,
PLLC

(57) **CLAIM**

The ornamental design for an arithmetic and control unit, as shown.

DESCRIPTION

FIG. 1 is a front elevational view of an arithmetic and control unit showing our new design;
 FIG. 2 is a rear elevational view thereof;
 FIG. 3 is a left side elevational view thereof;
 FIG. 4 is a right side elevational view thereof;
 FIG. 5 is a top plan view thereof;
 FIG. 6 is a bottom plan view thereof;
 FIG. 7 is a front left top perspective view thereof in an upright position;
 FIG. 8 is a front right bottom perspective view thereof in the upright position; and,
 FIG. 9 is a front left top perspective view thereof.

1 Claim, 5 Drawing Sheets

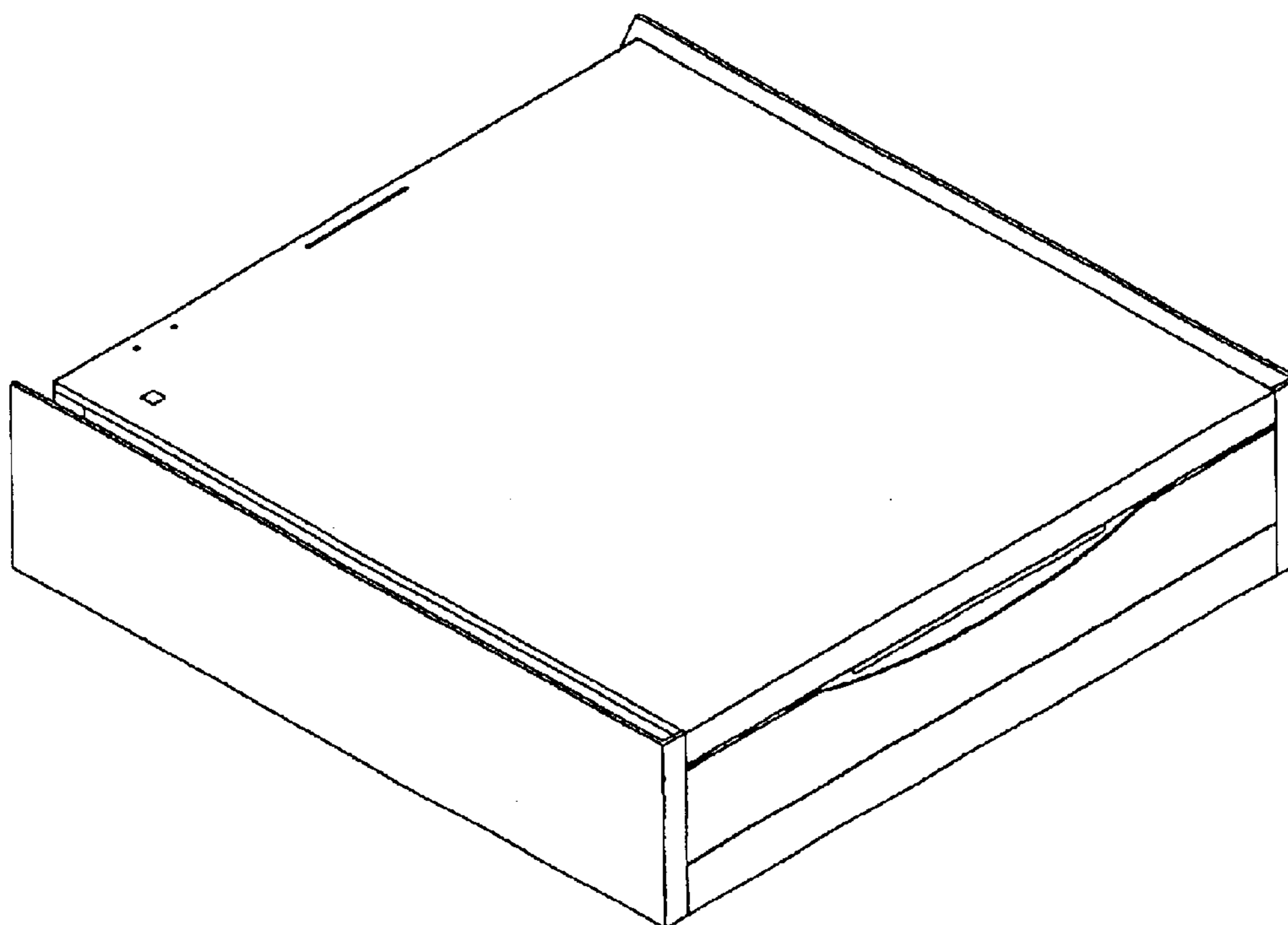


FIG. 1

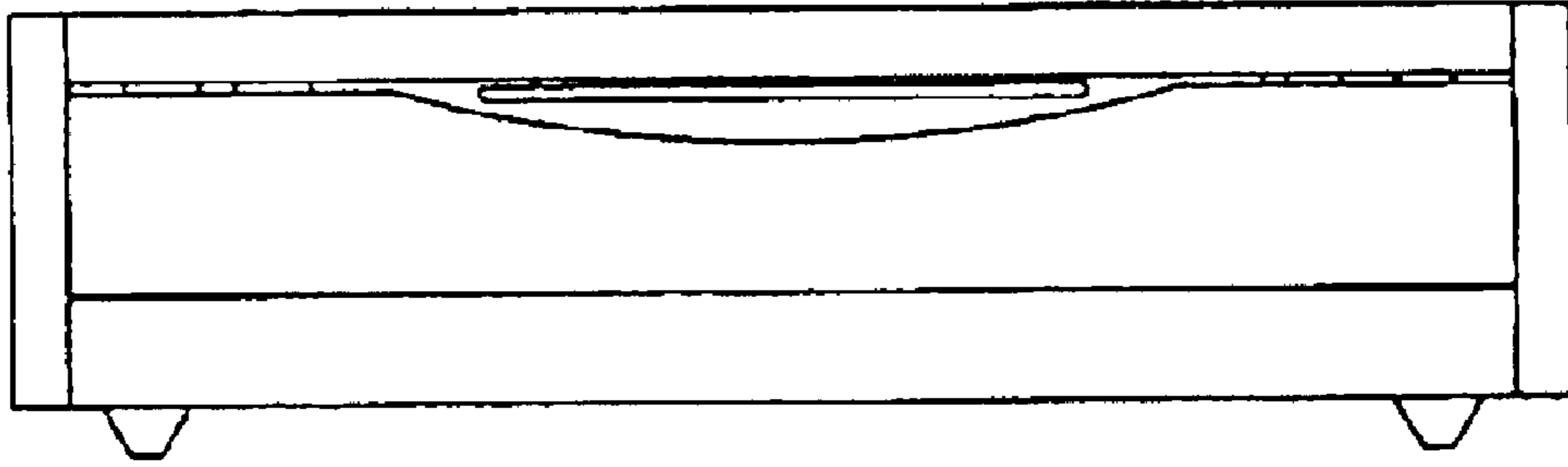


FIG. 2

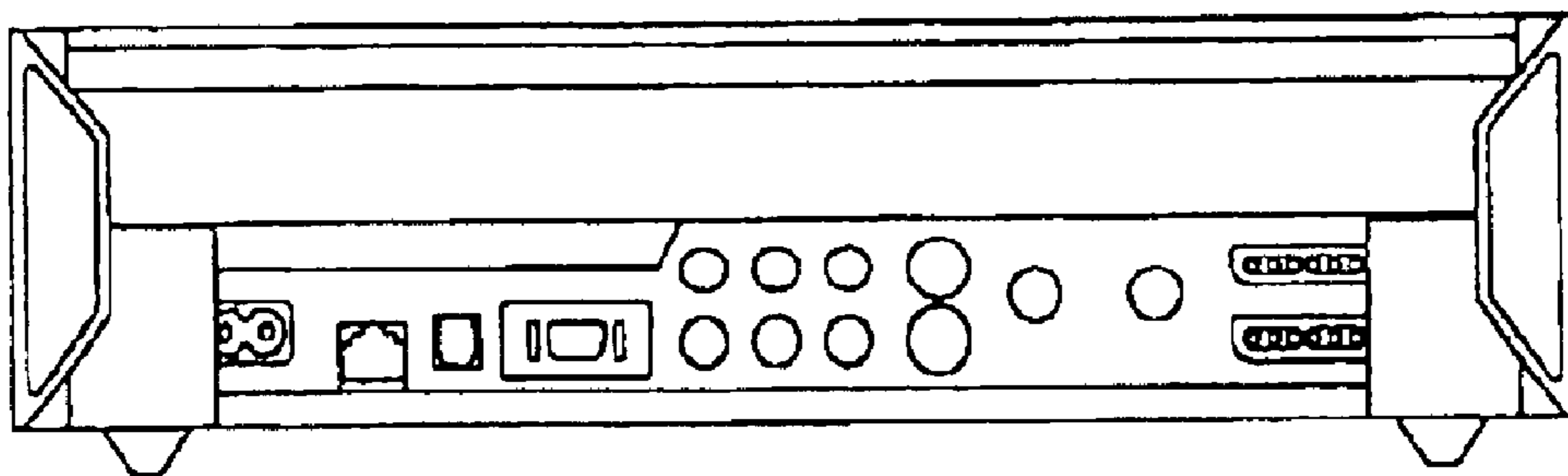


FIG. 3

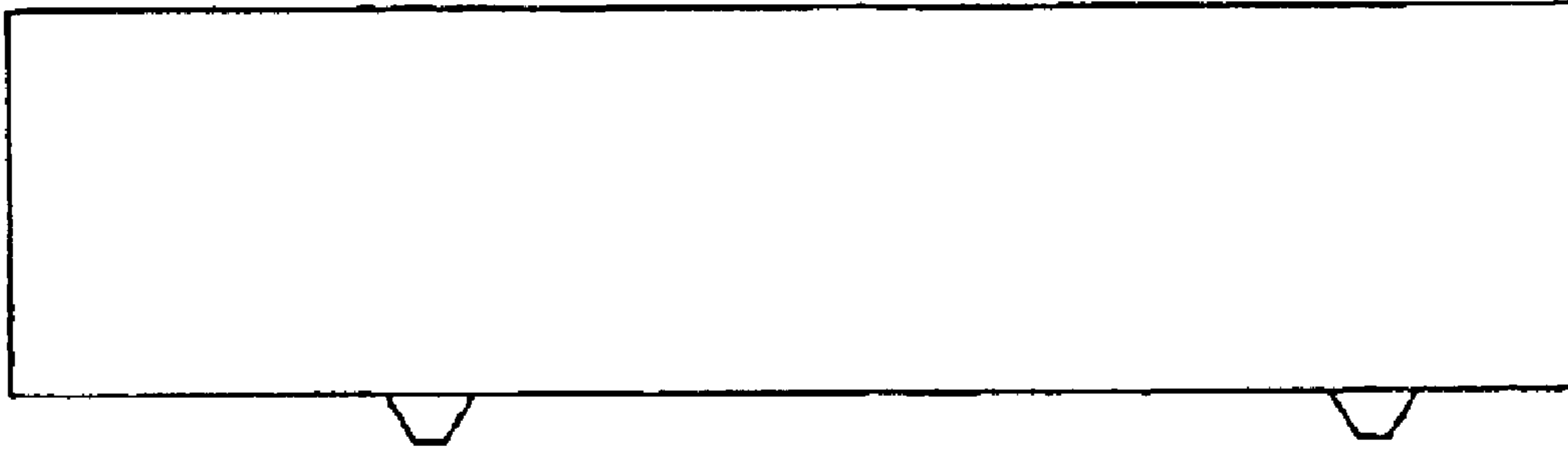


FIG. 4

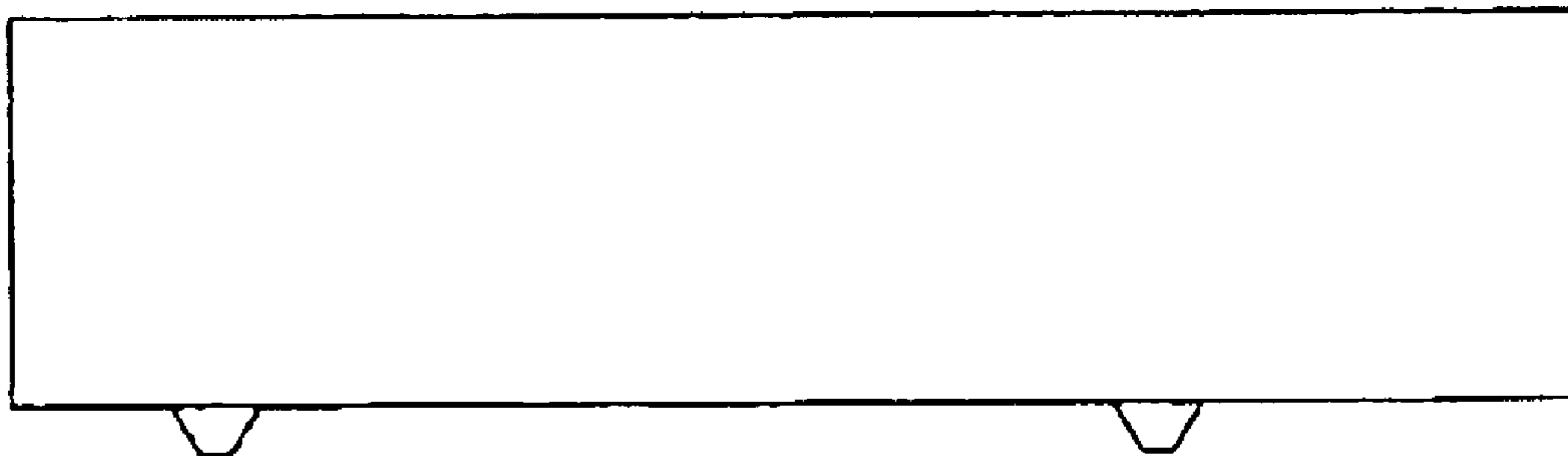


FIG. 5

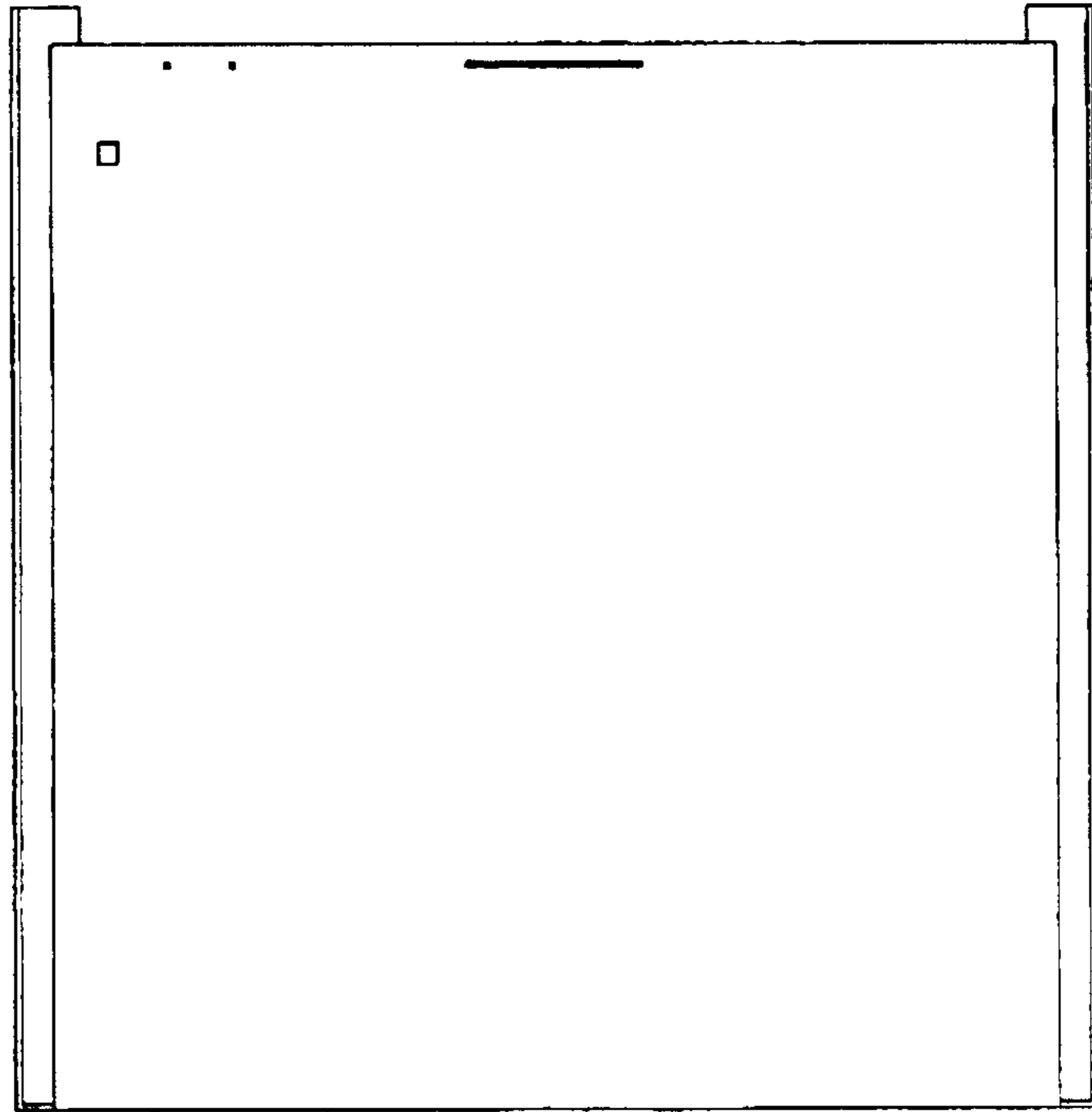
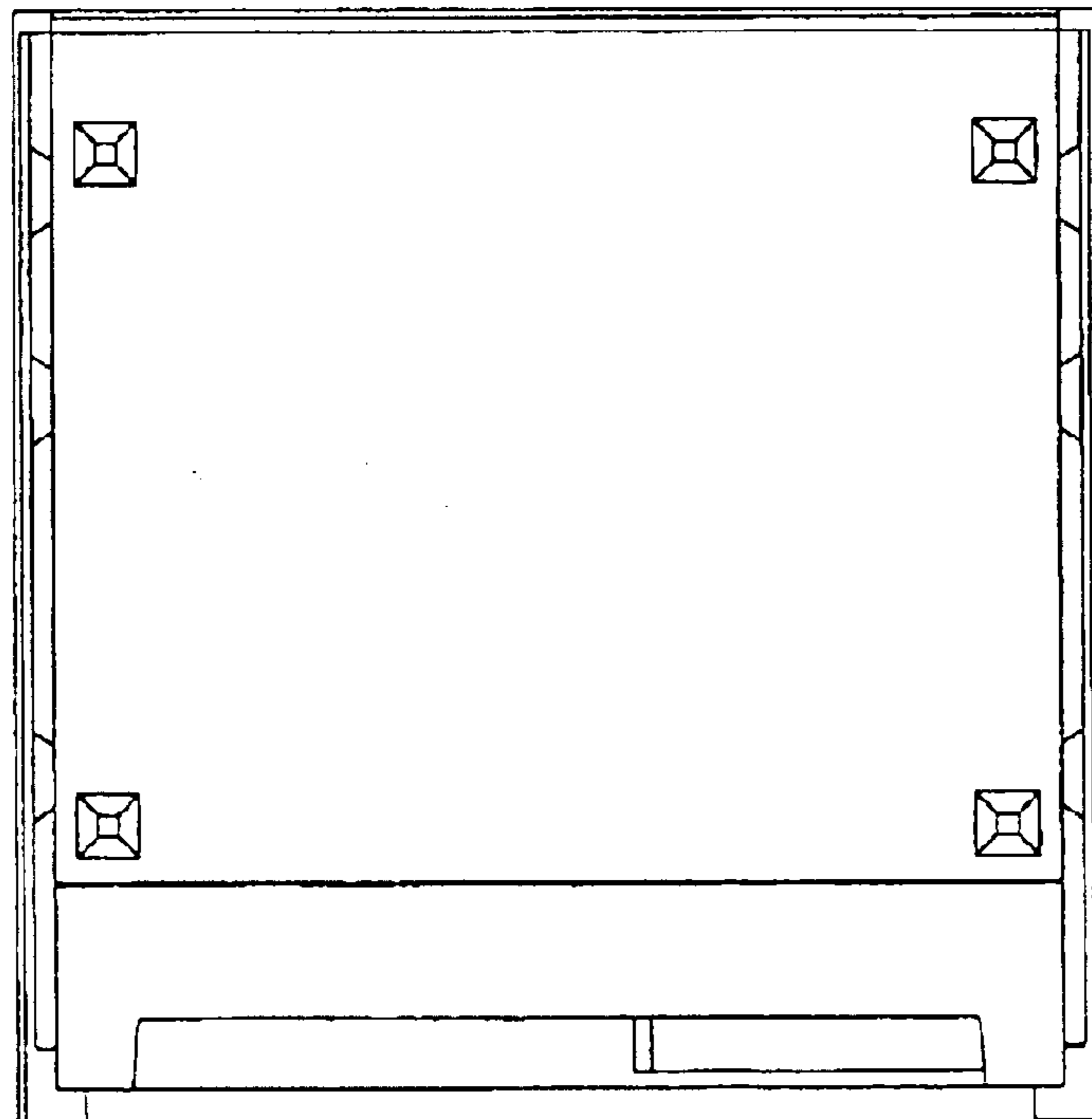


FIG. 6



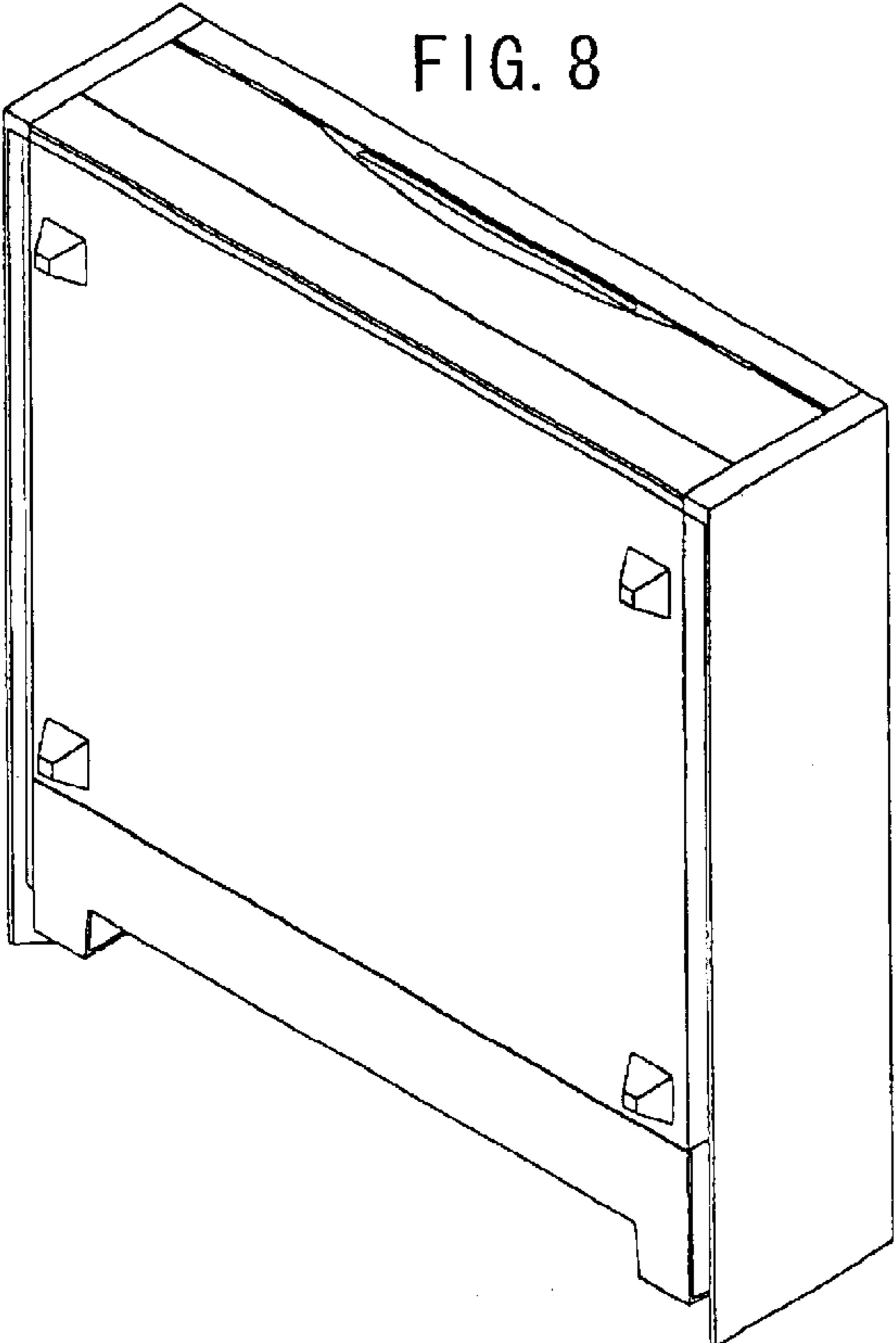
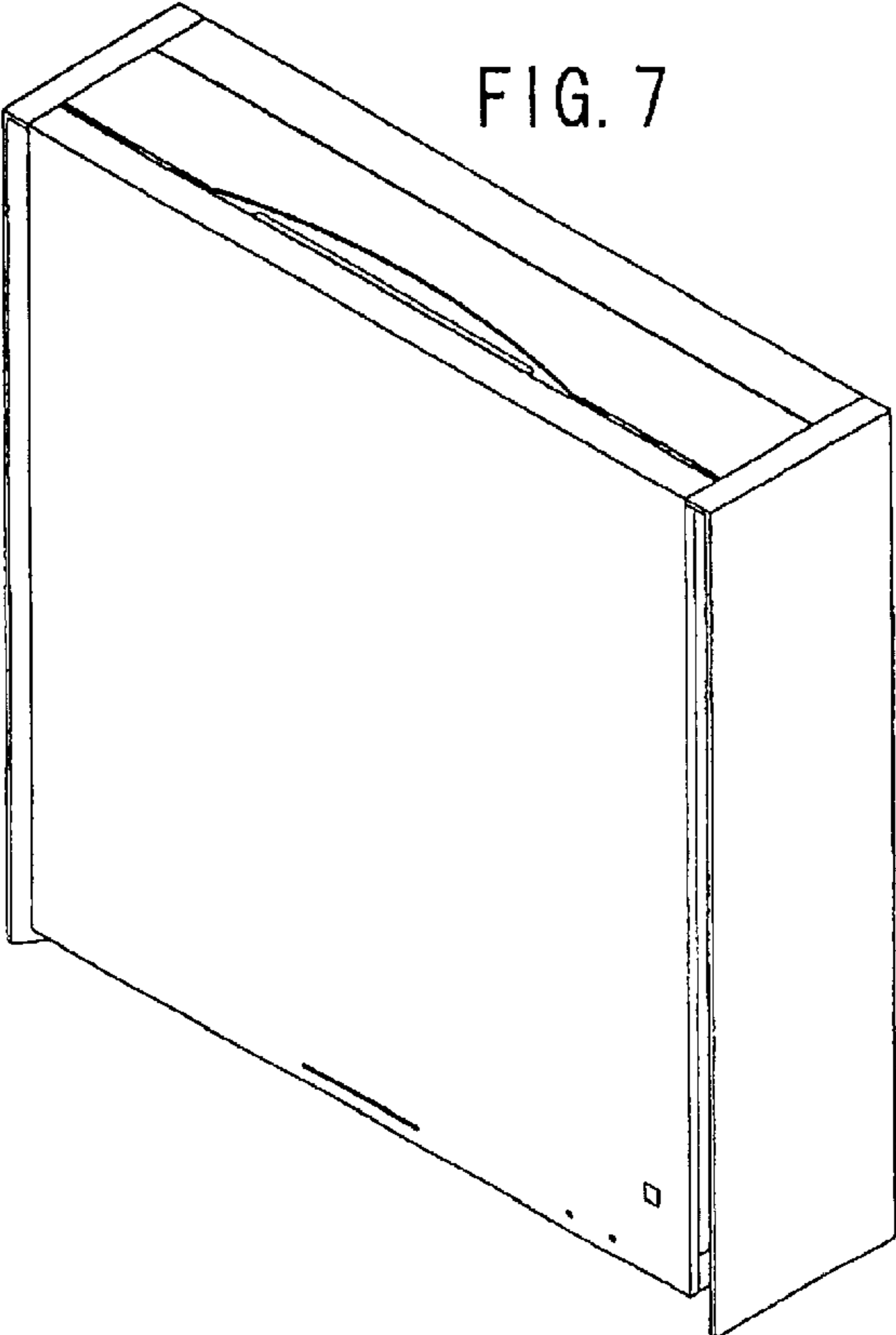


FIG. 9

