

US00D493460S1

(12) **United States Design Patent**  
**Kanatani et al.**

(10) **Patent No.:** **US D493,460 S**  
(45) **Date of Patent:** **\*\* Jul. 27, 2004**

(54) **ARITHMETIC AND CONTROL UNIT**

D441,375 S \* 5/2001 Hisatsune et al. .... D14/496  
D445,789 S \* 7/2001 Zmehrir ..... D14/356  
D470,465 S \* 2/2003 Lee ..... D14/125  
D482,369 S \* 11/2003 Matuschek ..... D14/496

(75) Inventors: **Masakazu Kanatani**, Tokyo (JP);  
**Hiroshi Yasutomi**, Tokyo (JP)

(73) Assignee: **Sony Computer Entertainment Inc.**,  
Tokyo (JP)

(\*\*) Term: **14 Years**

(21) Appl. No.: **29/194,509**

(22) Filed: **Nov. 26, 2003**

(30) **Foreign Application Priority Data**

May 27, 2003 (JP) ..... 2003-018791

(51) **LOC (7) Cl.** ..... **14-02**

(52) **U.S. Cl.** ..... **D14/356**

(58) **Field of Search** ..... D14/125, 356,  
D14/368, 496; D13/184

(56) **References Cited**

**U.S. PATENT DOCUMENTS**

D179,160 S \* 11/1956 Sandor ..... D13/184  
D314,188 S \* 1/1991 Izaki ..... D14/355  
D322,428 S \* 12/1991 Sato et al. .... D14/355  
D331,570 S \* 12/1992 Koiwa ..... D14/354  
D344,267 S \* 2/1994 Ueda et al. .... D14/355  
D387,740 S \* 12/1997 Kondo ..... D14/368  
D407,393 S \* 3/1999 Kazama ..... D14/125  
D412,495 S \* 8/1999 Shibata ..... D14/356  
D436,105 S \* 1/2001 Goto ..... D14/356

\* cited by examiner

*Primary Examiner*—Joel Sincavage

(74) *Attorney, Agent, or Firm*—Rader, Fishman & Grauer,  
PLLC

(57) **CLAIM**

The ornamental design for an arithmetic and control unit, as  
shown and described.

**DESCRIPTION**

FIG. 1 is a front elevational view of an arithmetic and  
control unit showing our new design;  
FIG. 2 is a rear elevational view thereof;  
FIG. 3 is a left side elevational view thereof;  
FIG. 4 is a right side elevational view thereof;  
FIG. 5 is a top plan view thereof;  
FIG. 6 is a bottom plan view thereof;  
FIG. 7 is a front left top perspective view thereof in an  
upright position;  
FIG. 8 is a front right bottom perspective view thereof in the  
upright position; and,  
FIG. 9 is a front left top perspective view thereof.  
The broken line portions showing in the drawings are for  
illustrative purpose only and form no part of the claimed  
design.

**1 Claim, 5 Drawing Sheets**

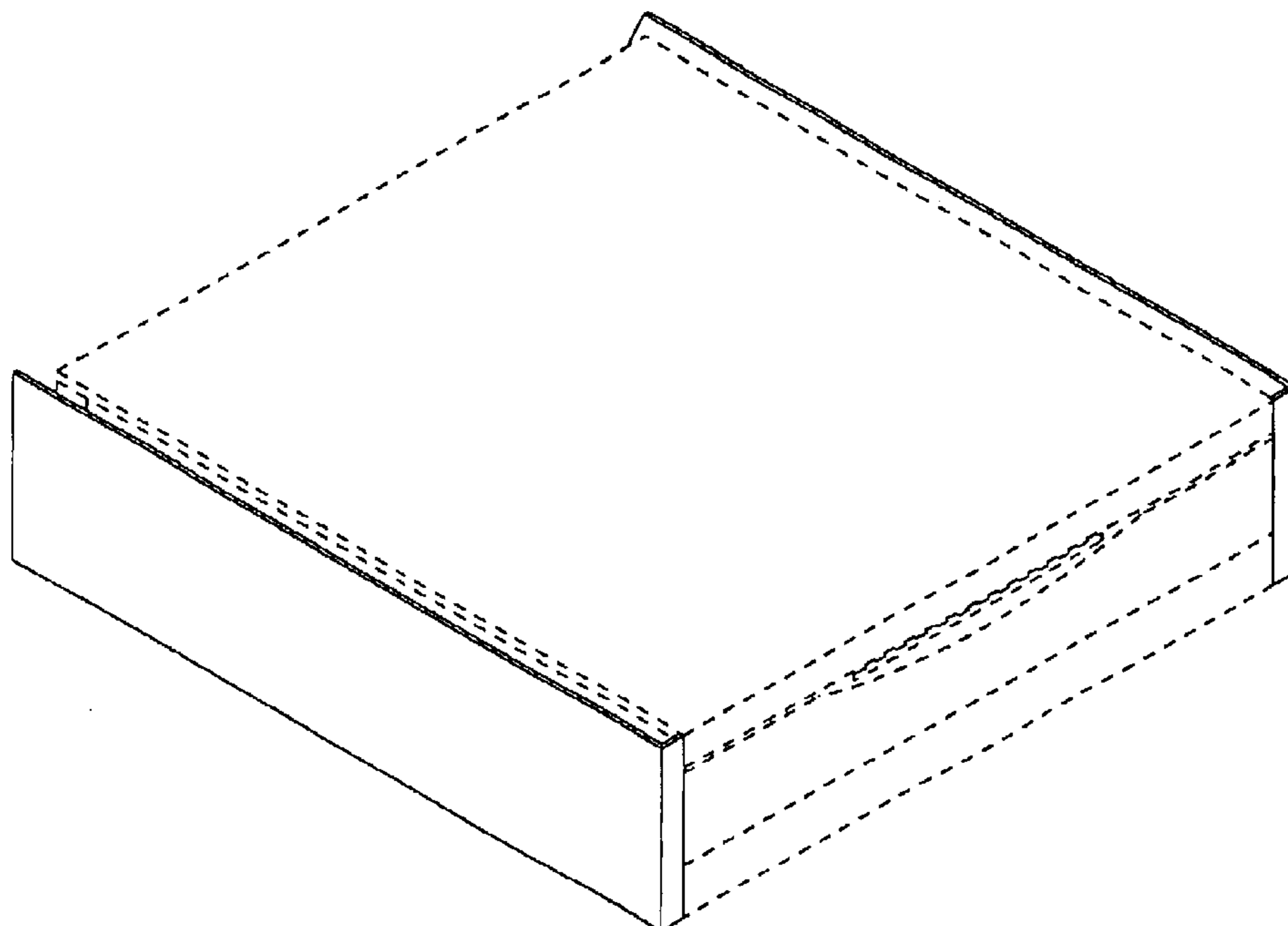


FIG. 1

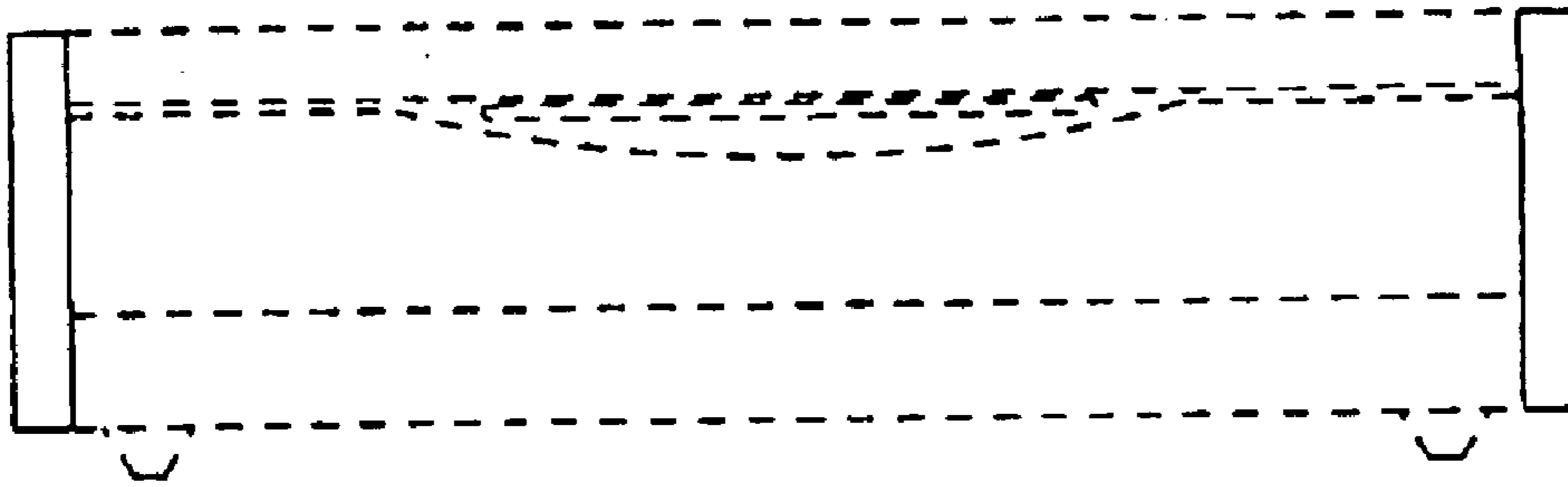


FIG. 2

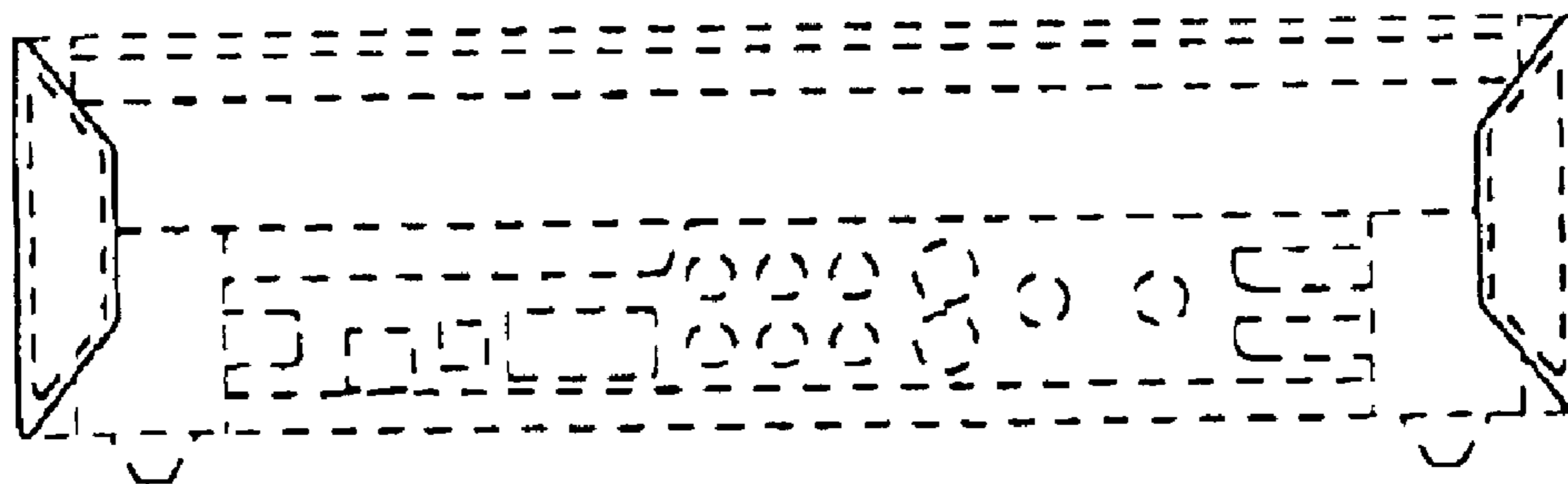


FIG. 3

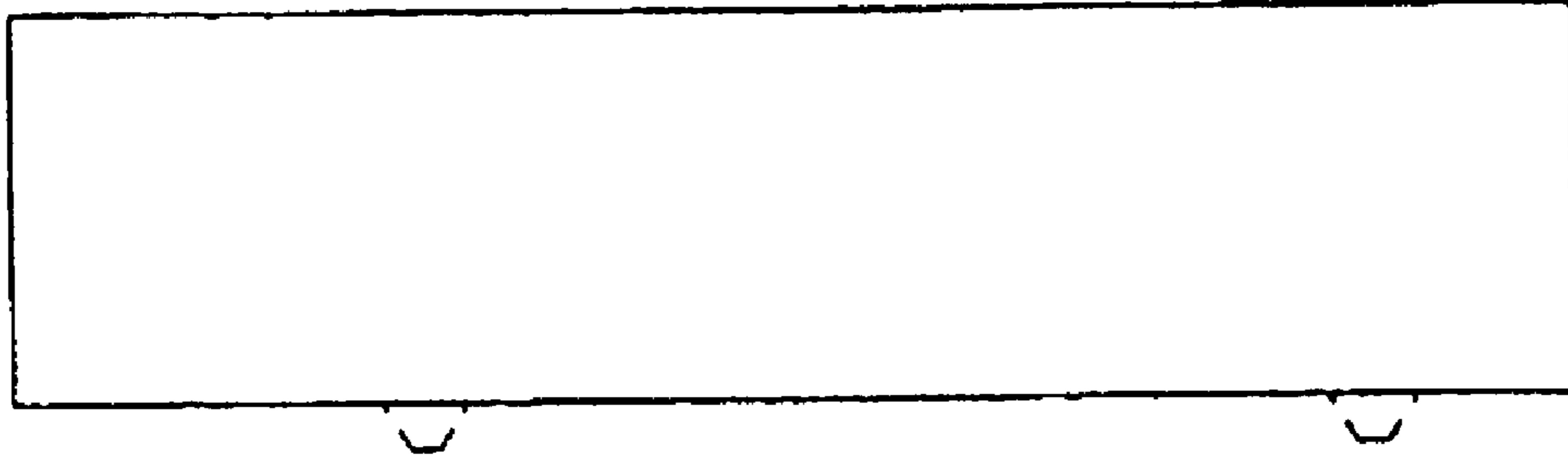


FIG. 4

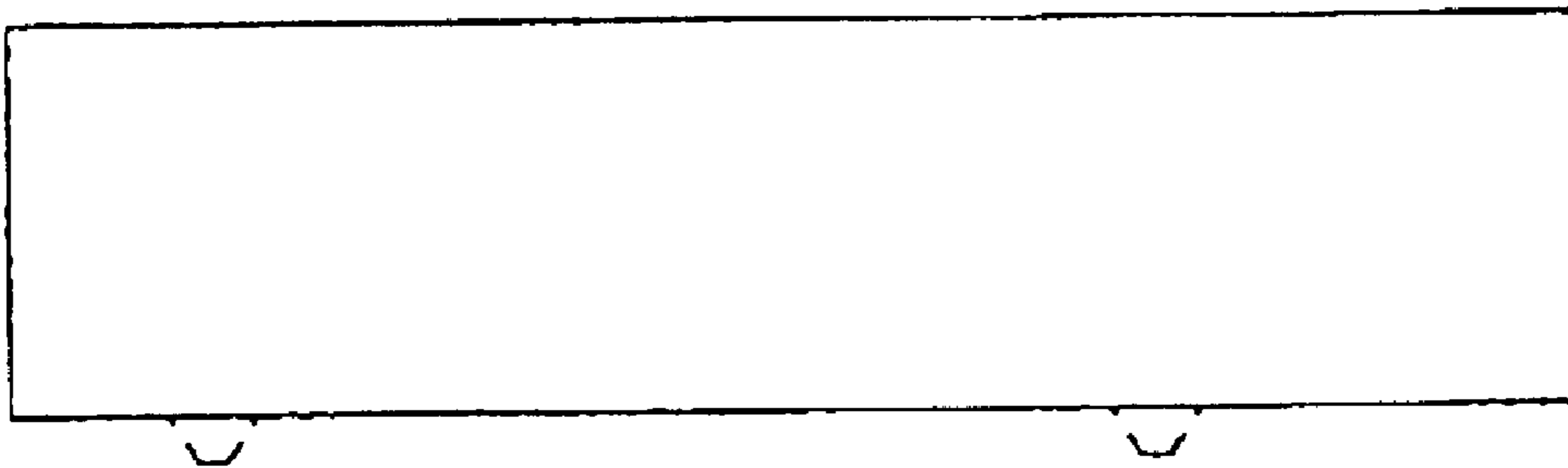


FIG. 5

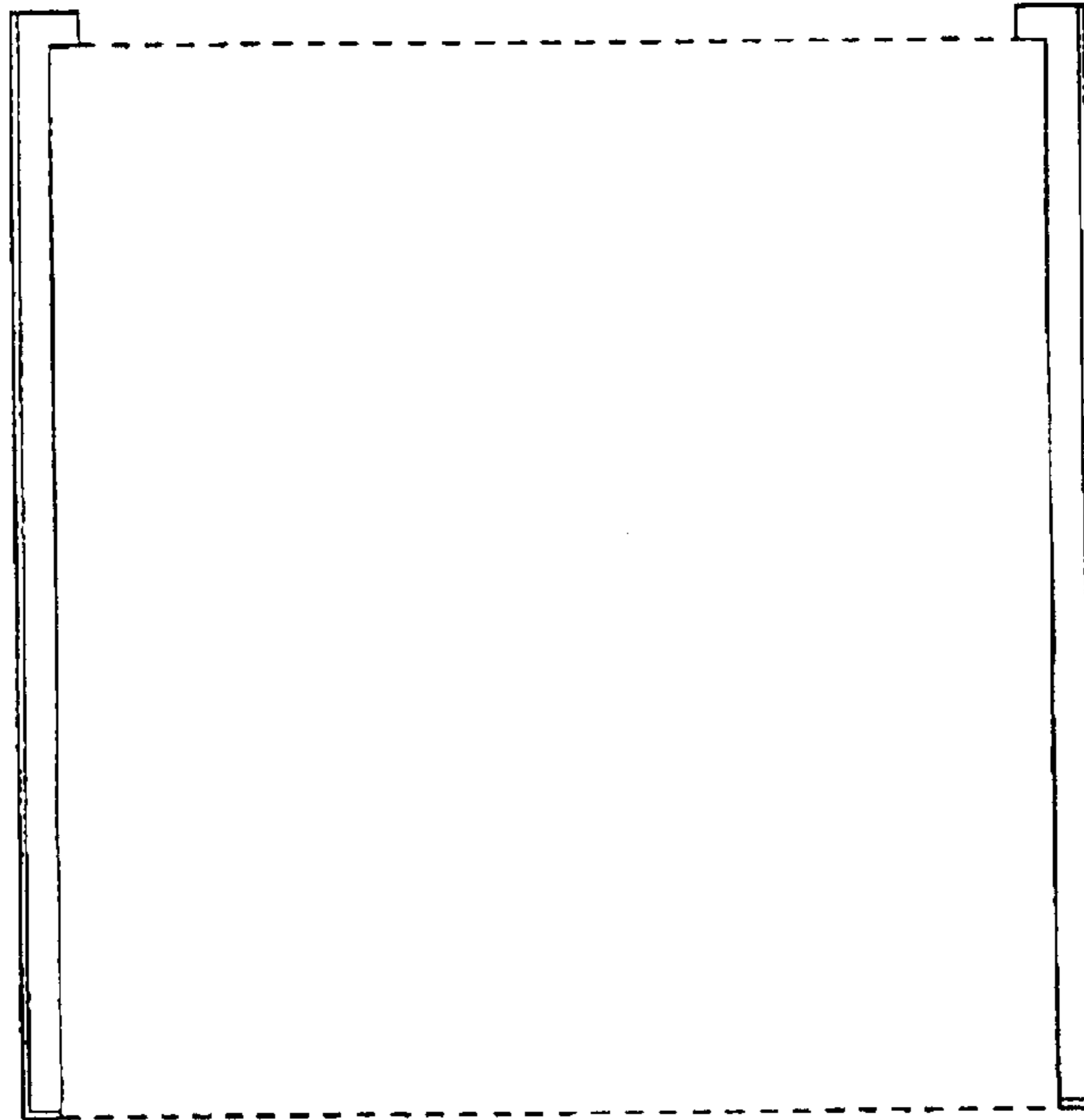
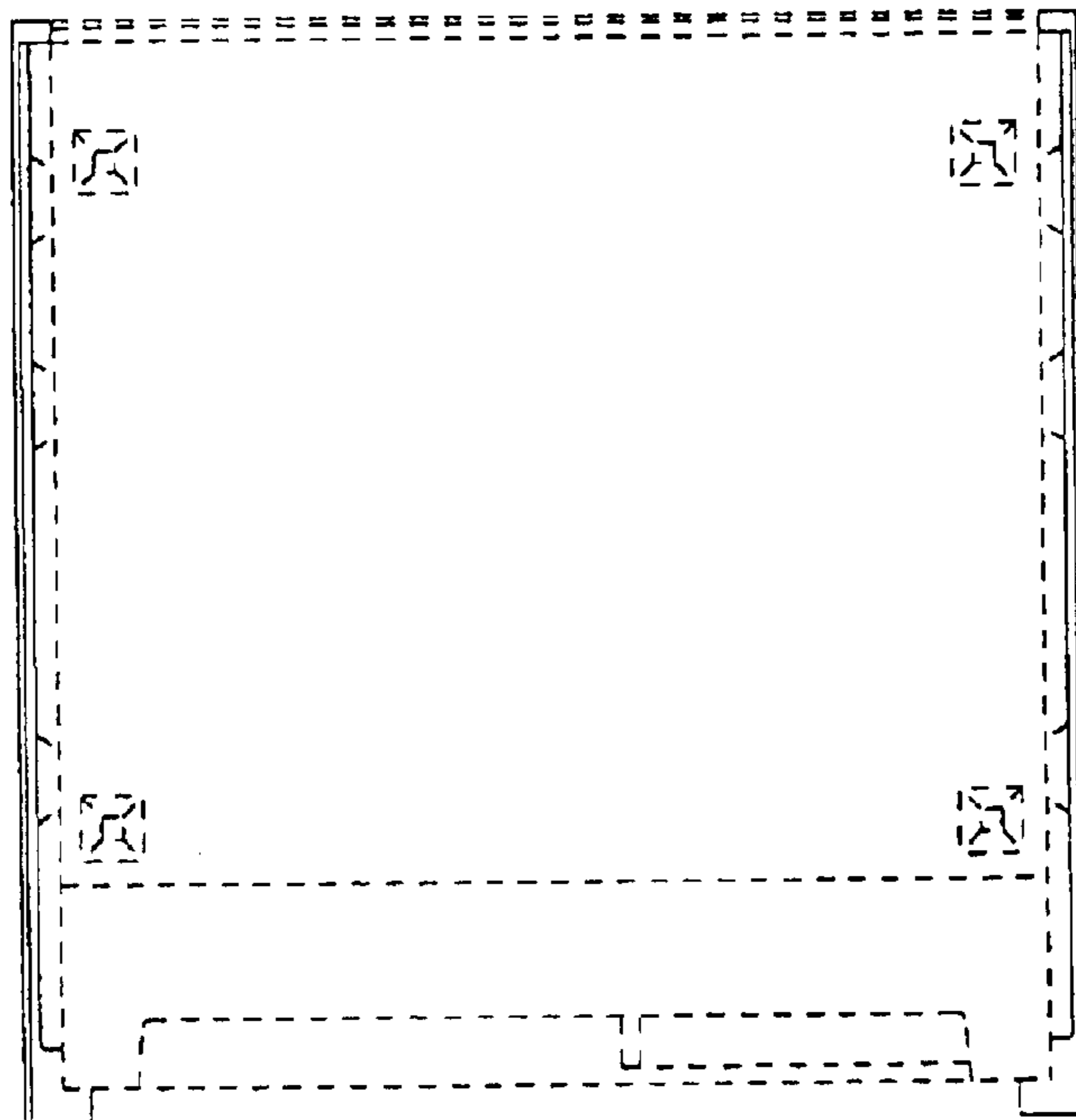


FIG. 6



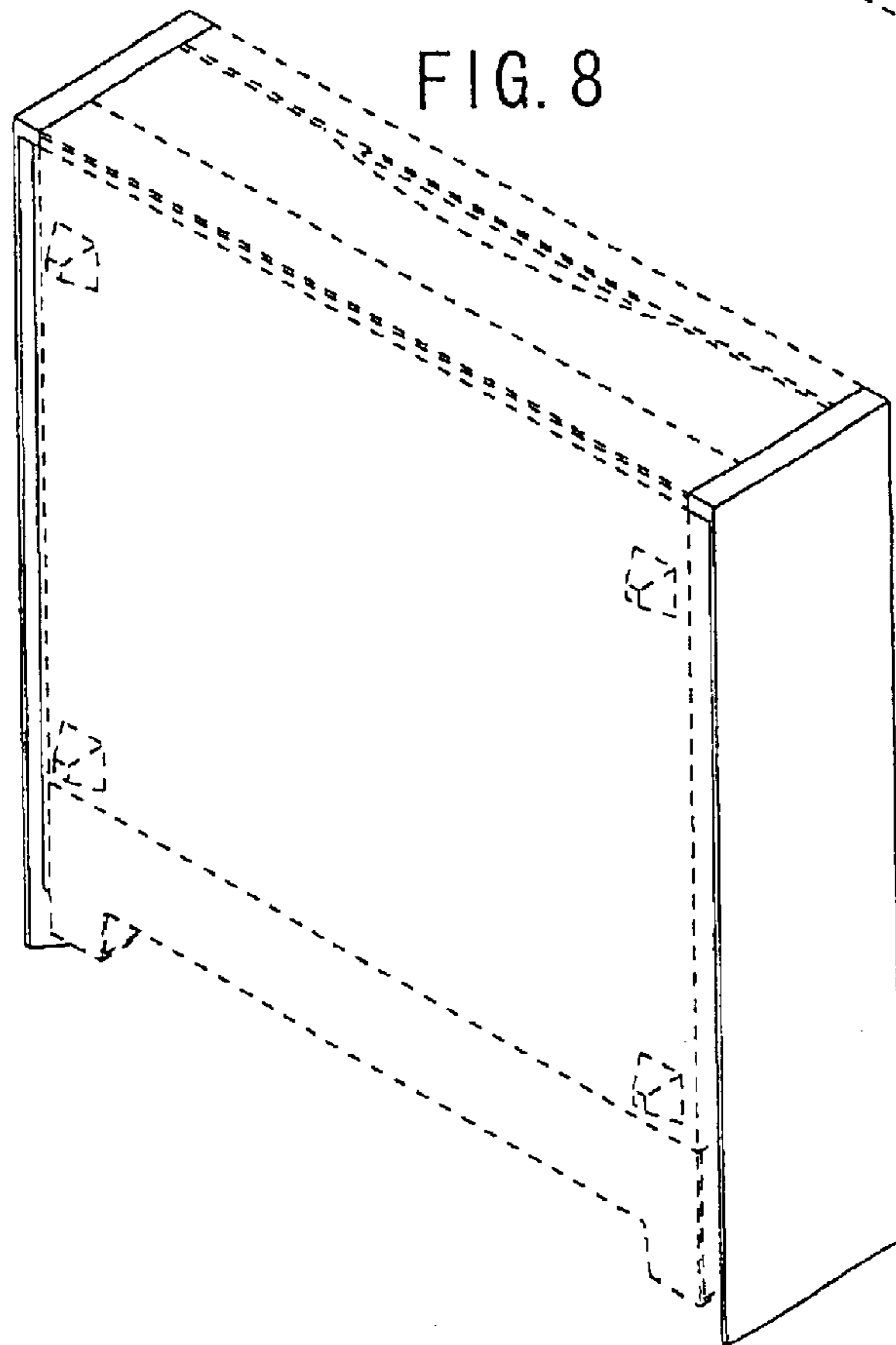
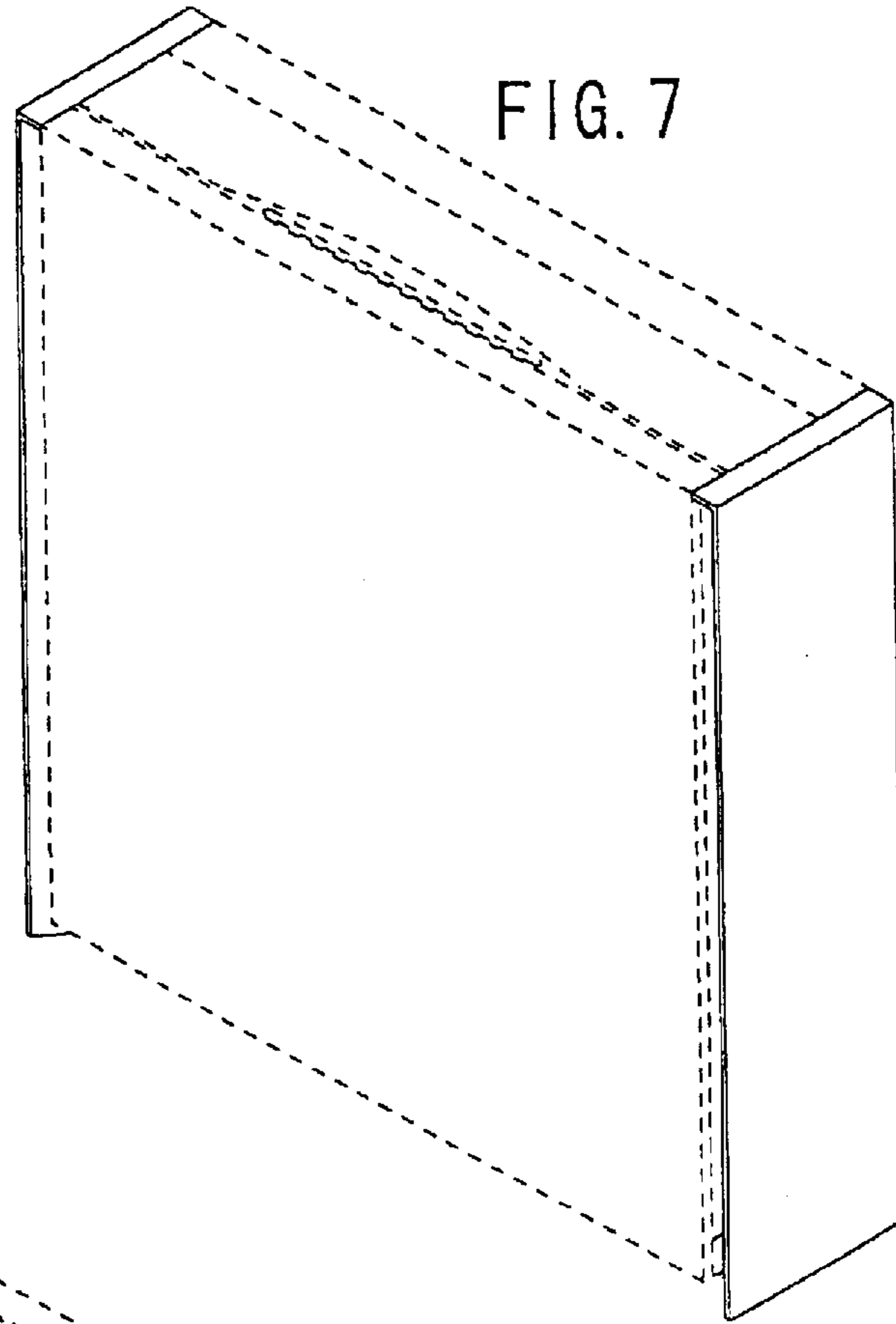


FIG. 9

