

US00D493459S1

(12) **United States Design Patent**  
**Kanatani et al.**

(10) **Patent No.:** **US D493,459 S**  
(45) **Date of Patent:** **\*\* Jul. 27, 2004**

(54) **ARITHMETIC AND CONTROL UNIT**

D441,375 S \* 5/2001 Hisatsune et al. .... D14/496  
D445,789 S \* 7/2001 Zmehrir ..... D14/356  
D470,465 S \* 2/2003 Lee ..... D14/125  
D482,369 S \* 11/2003 Matuschek ..... D14/496

(75) Inventors: **Masakazu Kanatani**, Tokyo (JP);  
**Hiroshi Yasutomi**, Tokyo (JP)

(73) Assignee: **Sony Computer Entertainment Inc.**,  
Tokyo (JP)

(\*\*) Term: **14 Years**

(21) Appl. No.: **29/194,484**

(22) Filed: **Nov. 26, 2003**

(30) **Foreign Application Priority Data**

May 27, 2003 (JP) ..... D2003-018793

(51) **LOC (7) Cl.** ..... **14-02**

(52) **U.S. Cl.** ..... **D14/356**

(58) **Field of Search** ..... D14/125, 355,  
D14/356, 368, 496; D13/184

(56) **References Cited**

**U.S. PATENT DOCUMENTS**

D179,160 S	*	11/1956	Sandor	.....	D13/184
D314,188 S	*	1/1991	Izaki	.....	D14/355
D322,428 S	*	12/1991	Sato et al.	.....	D14/355
D331,570 S	*	12/1992	Koiwa	.....	D14/354
D344,267 S	*	2/1994	Ueda et al.	.....	D14/355
D387,740 S	*	12/1997	Kondo	.....	D14/368
D407,393 S	*	3/1999	Kazama	.....	D14/125
D412,495 S	*	8/1999	Shibata	.....	D14/356
D436,105 S	*	1/2001	Goto	.....	D14/356

\* cited by examiner

*Primary Examiner*—Joel Sincavage  
(74) *Attorney, Agent, or Firm*—Rader, Fishman & Grauer,  
PLLC

(57) **CLAIM**

The ornamental design for an arithmetic and control unit, as shown and described.

**DESCRIPTION**

FIG. 1 is a front elevational view of an arithmetic and control unit showing our new design;  
FIG. 2 is a rear elevational view thereof;  
FIG. 3 is a left side elevational view thereof;  
FIG. 4 is a right side elevational view thereof;  
FIG. 5 is a top plan view thereof;  
FIG. 6 is a bottom plan view thereof;  
FIG. 7 is a front left top perspective view thereof in an upright position;  
FIG. 8 is a front right bottom perspective view thereof in the upright position; and,  
FIG. 9 is a front left top perspective view thereof.  
The broken line portions showing in the drawings are for illustrative purpose only and form no part of the claimed design.

**1 Claim, 6 Drawing Sheets**

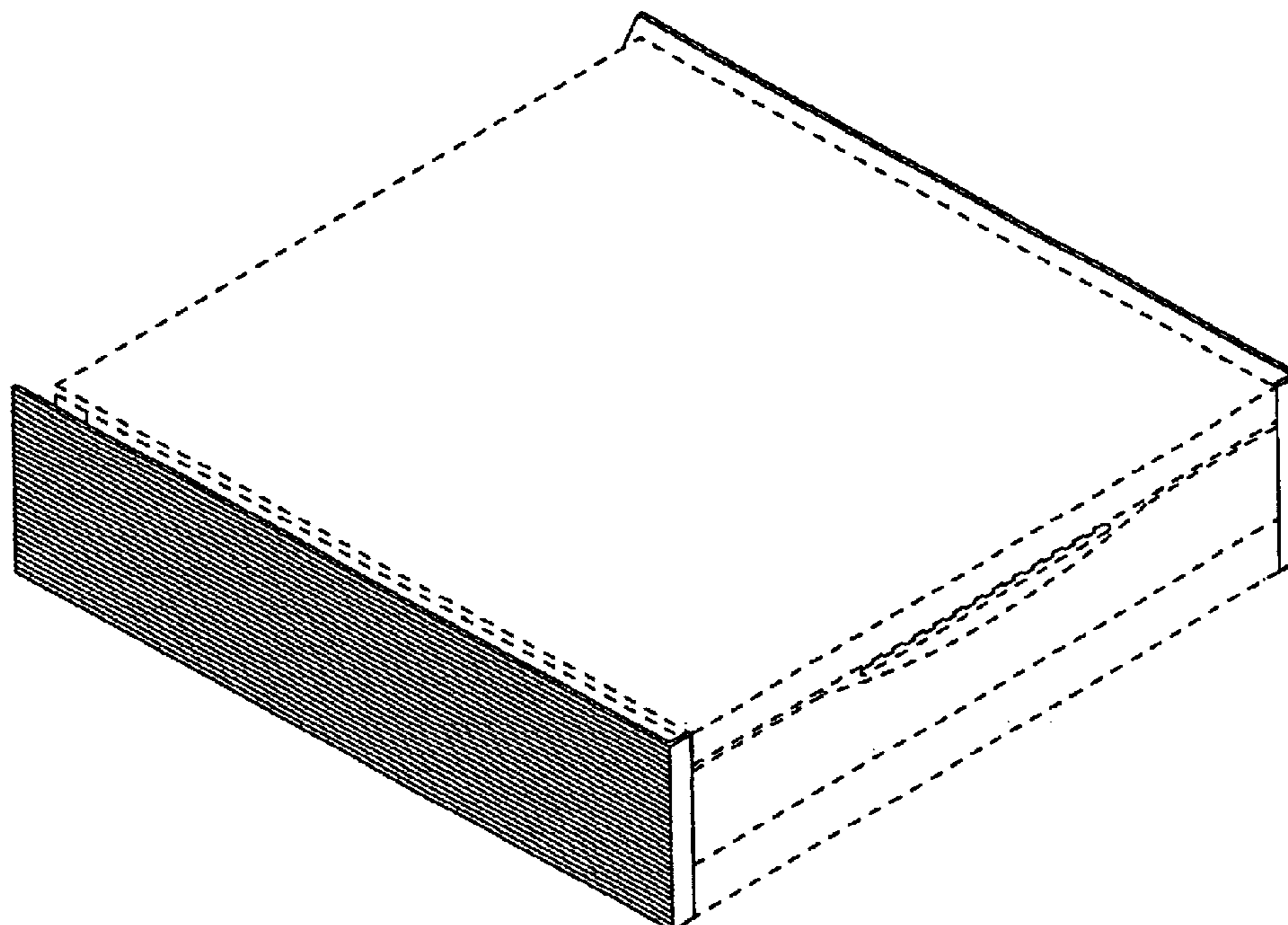


FIG. 1

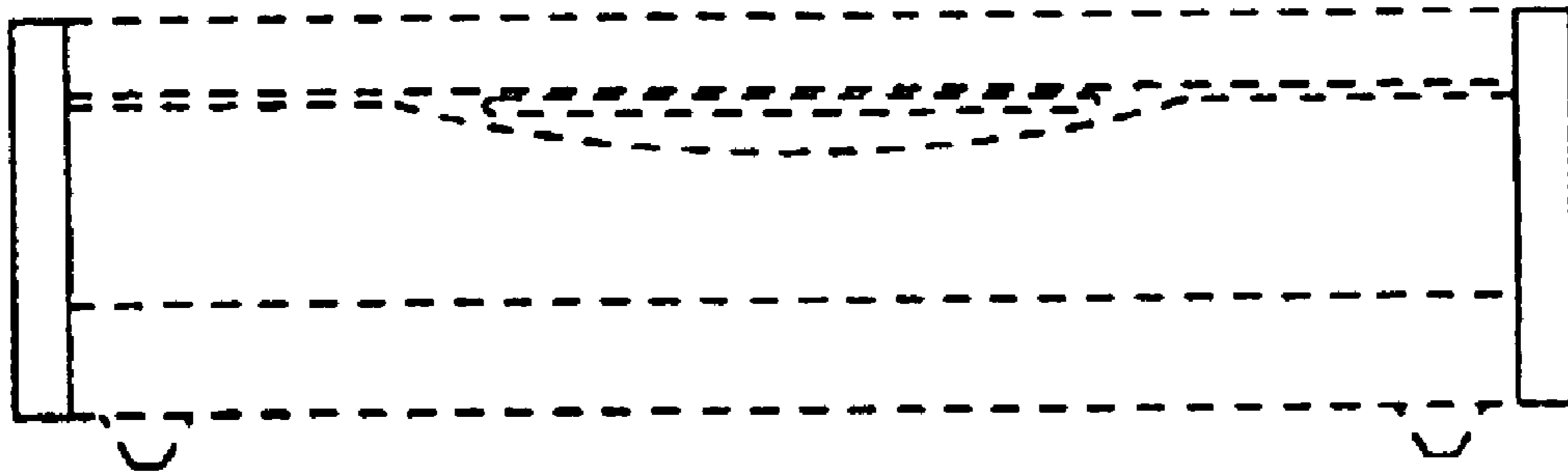


FIG. 2

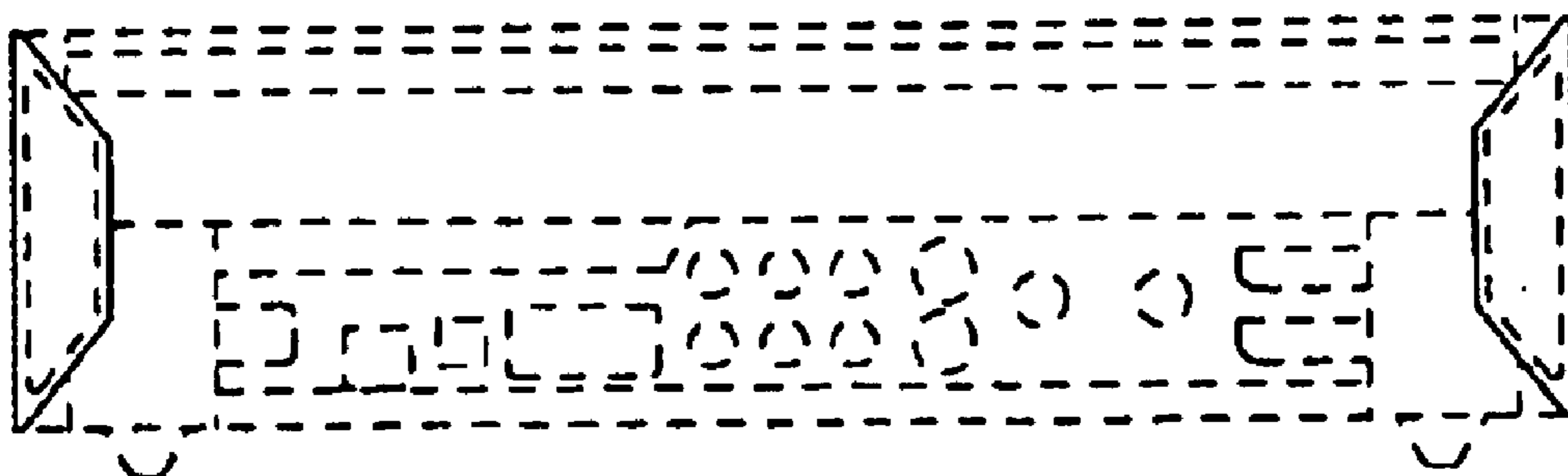


FIG. 3

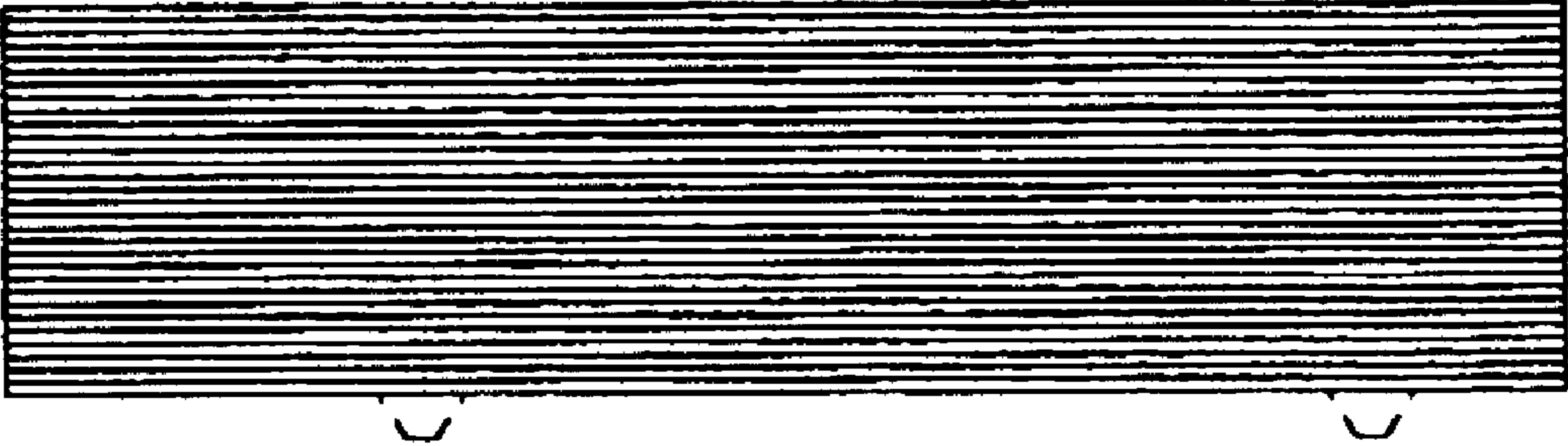


FIG. 4

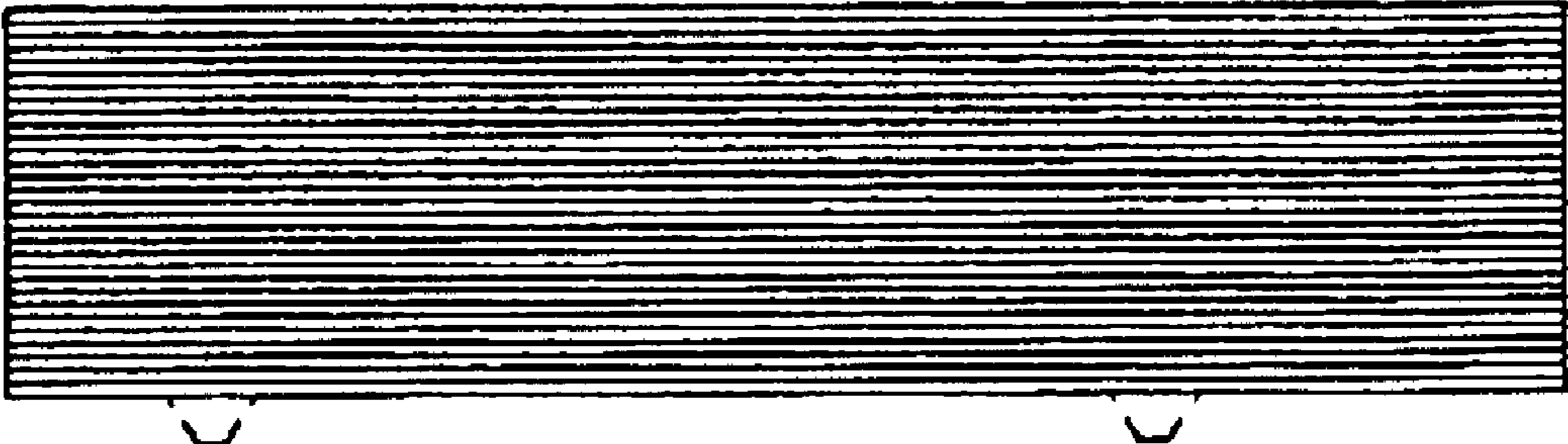


FIG. 5

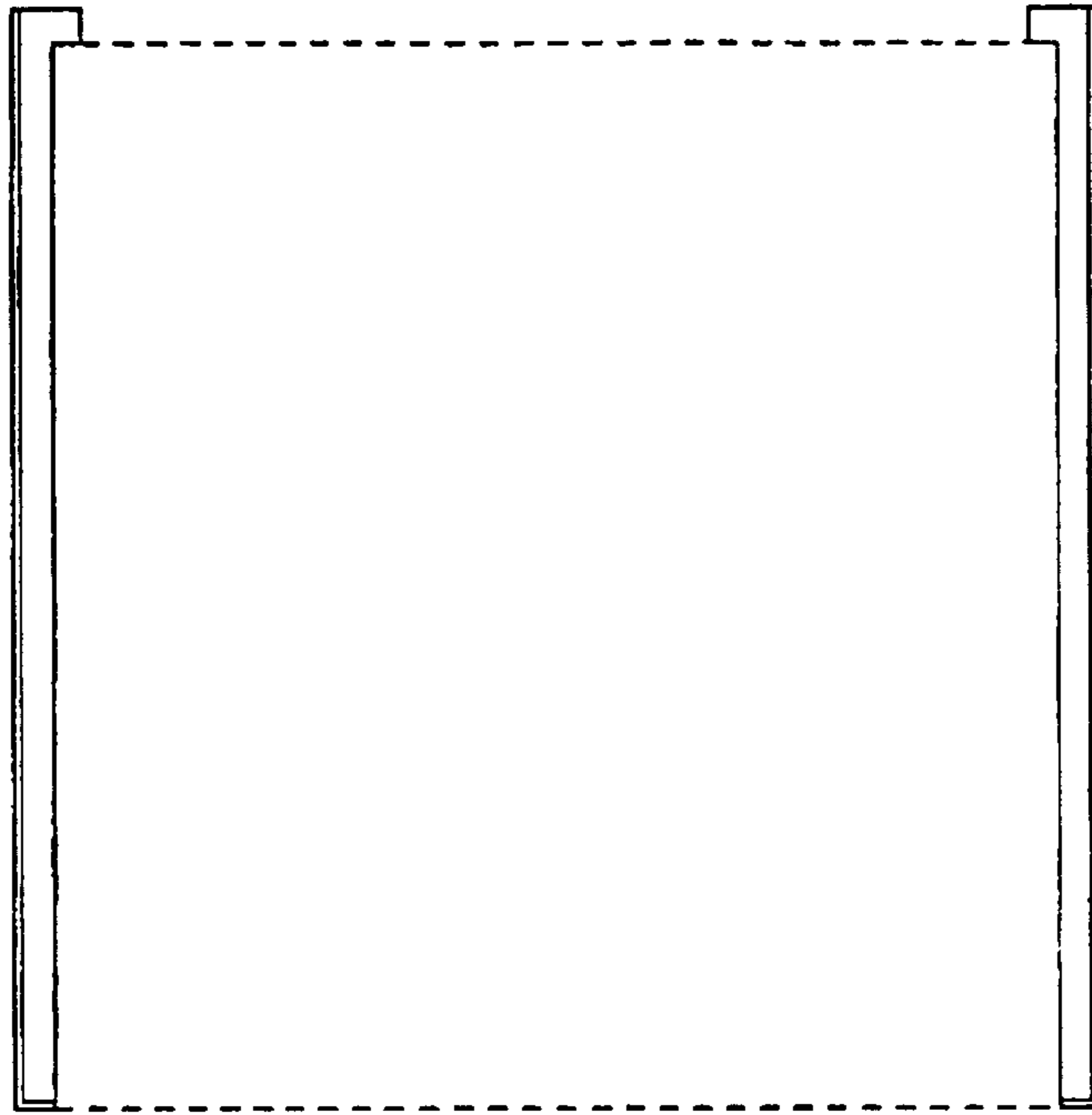
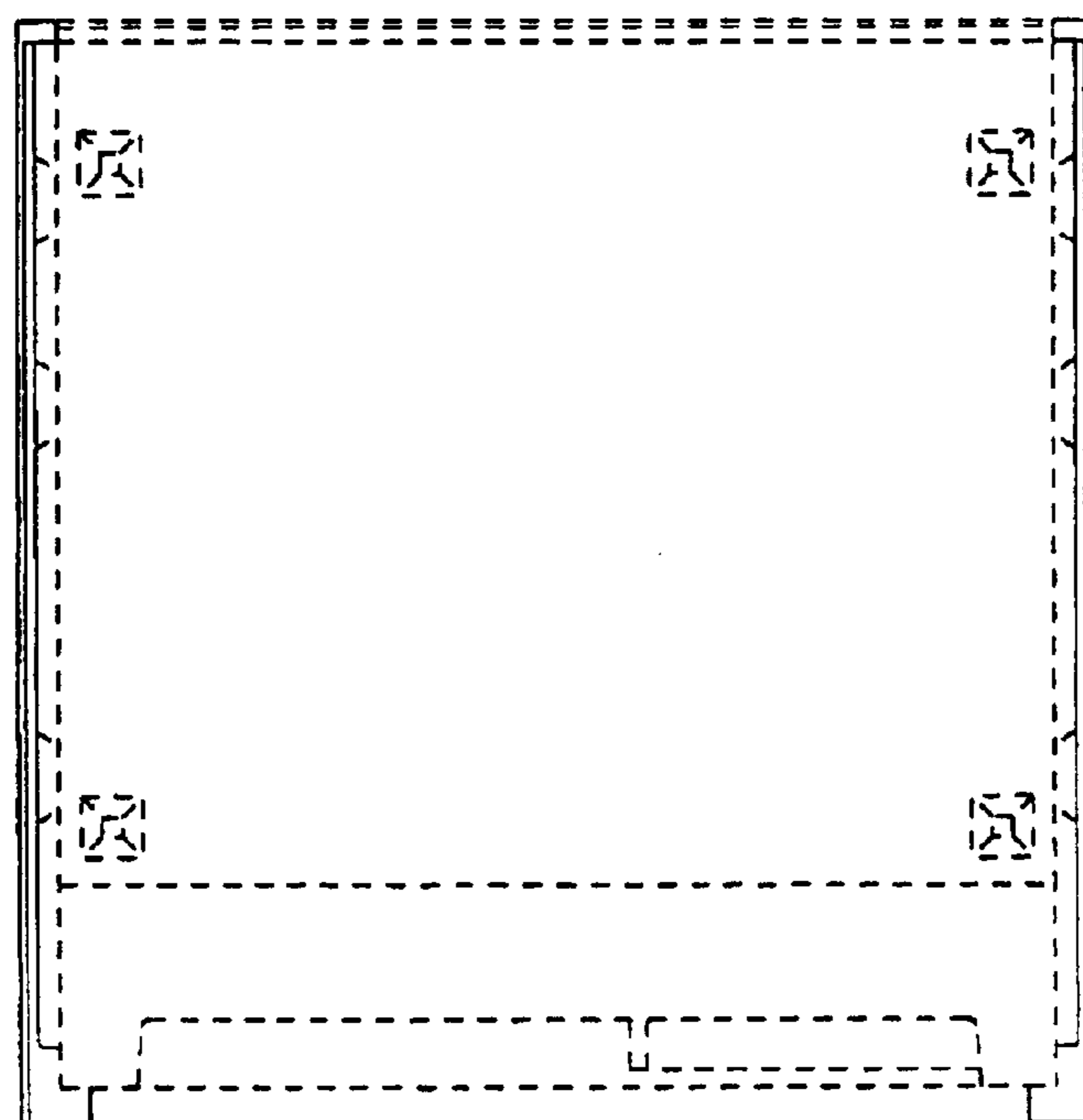


FIG. 6



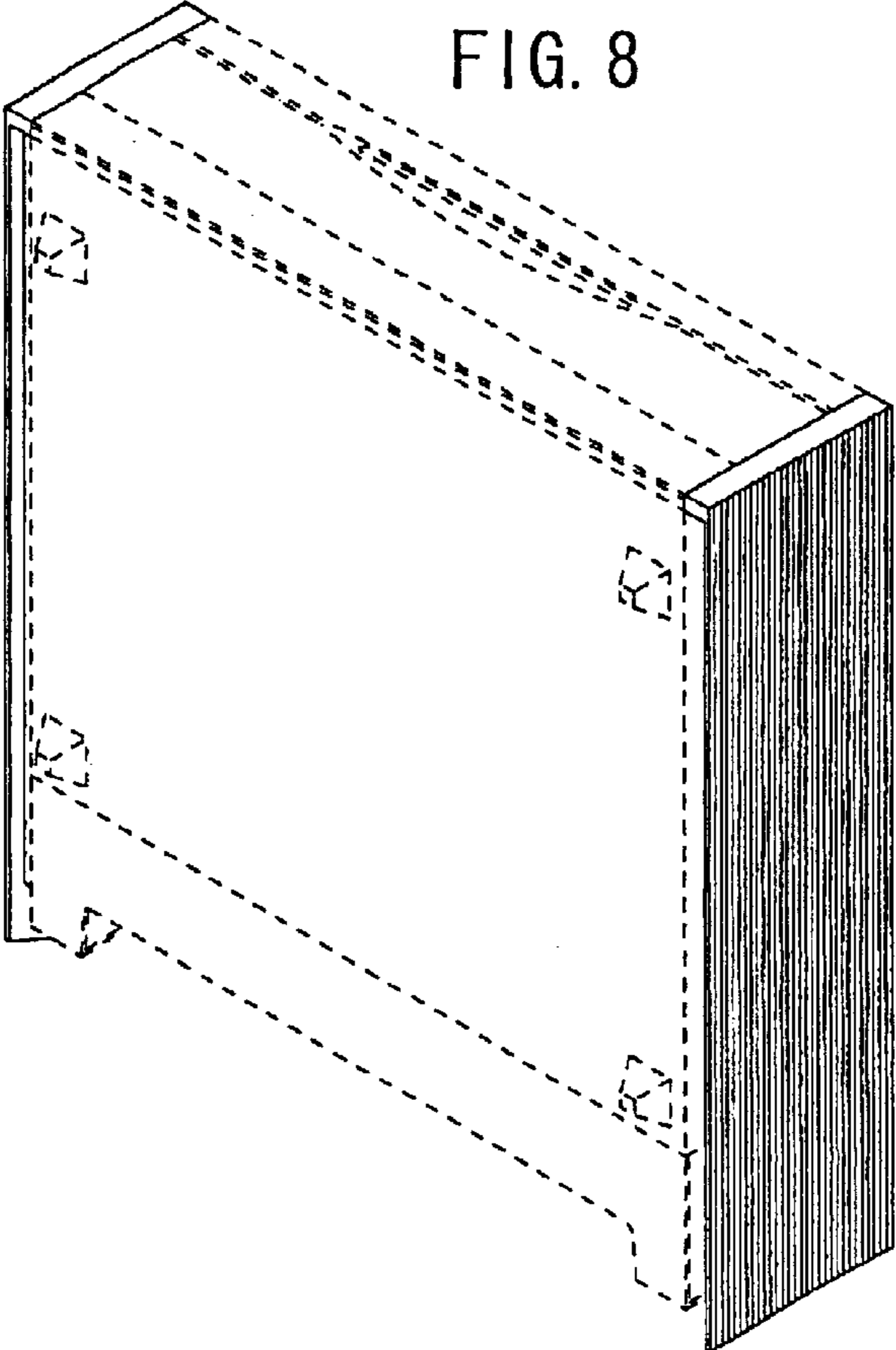
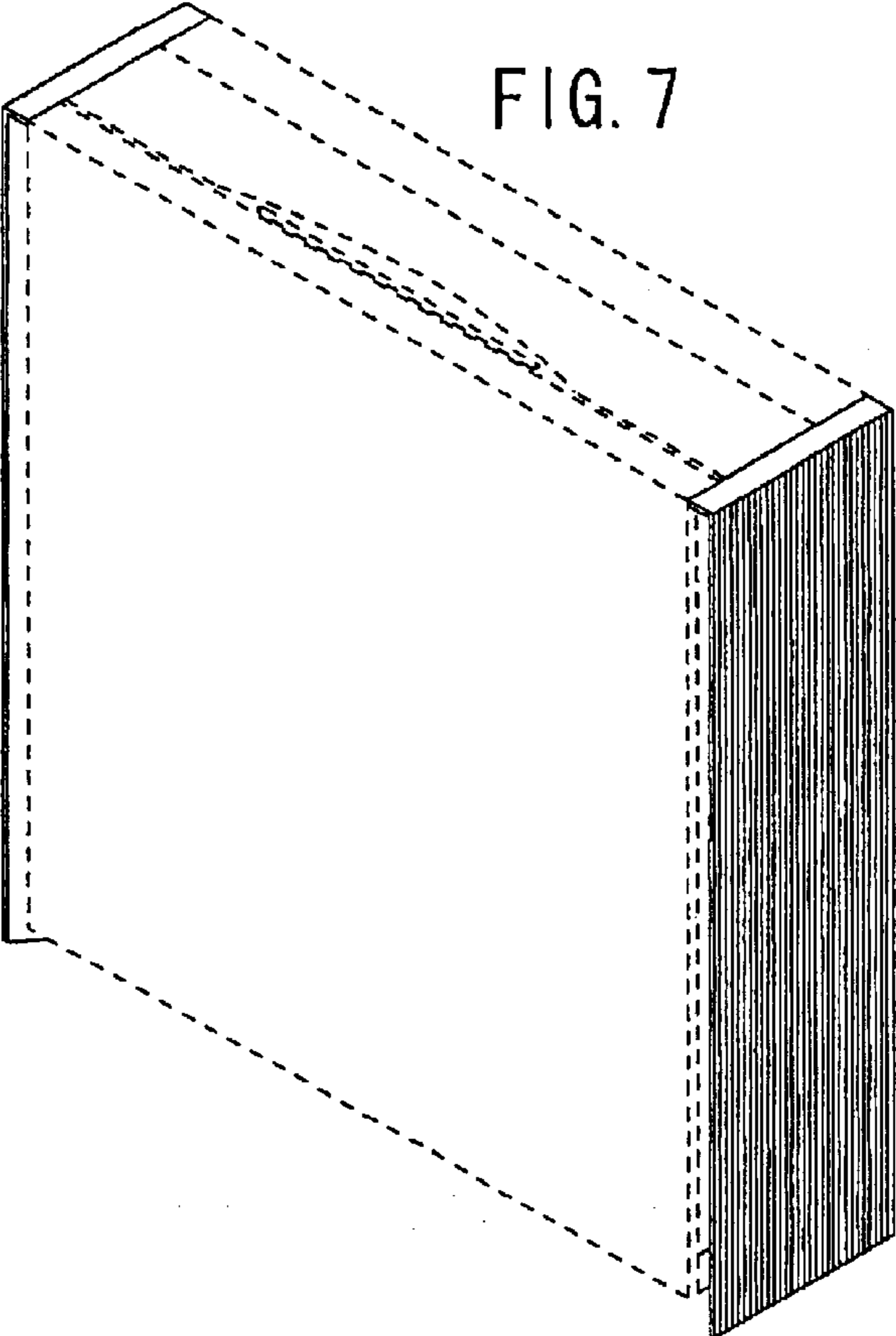




FIG. 9

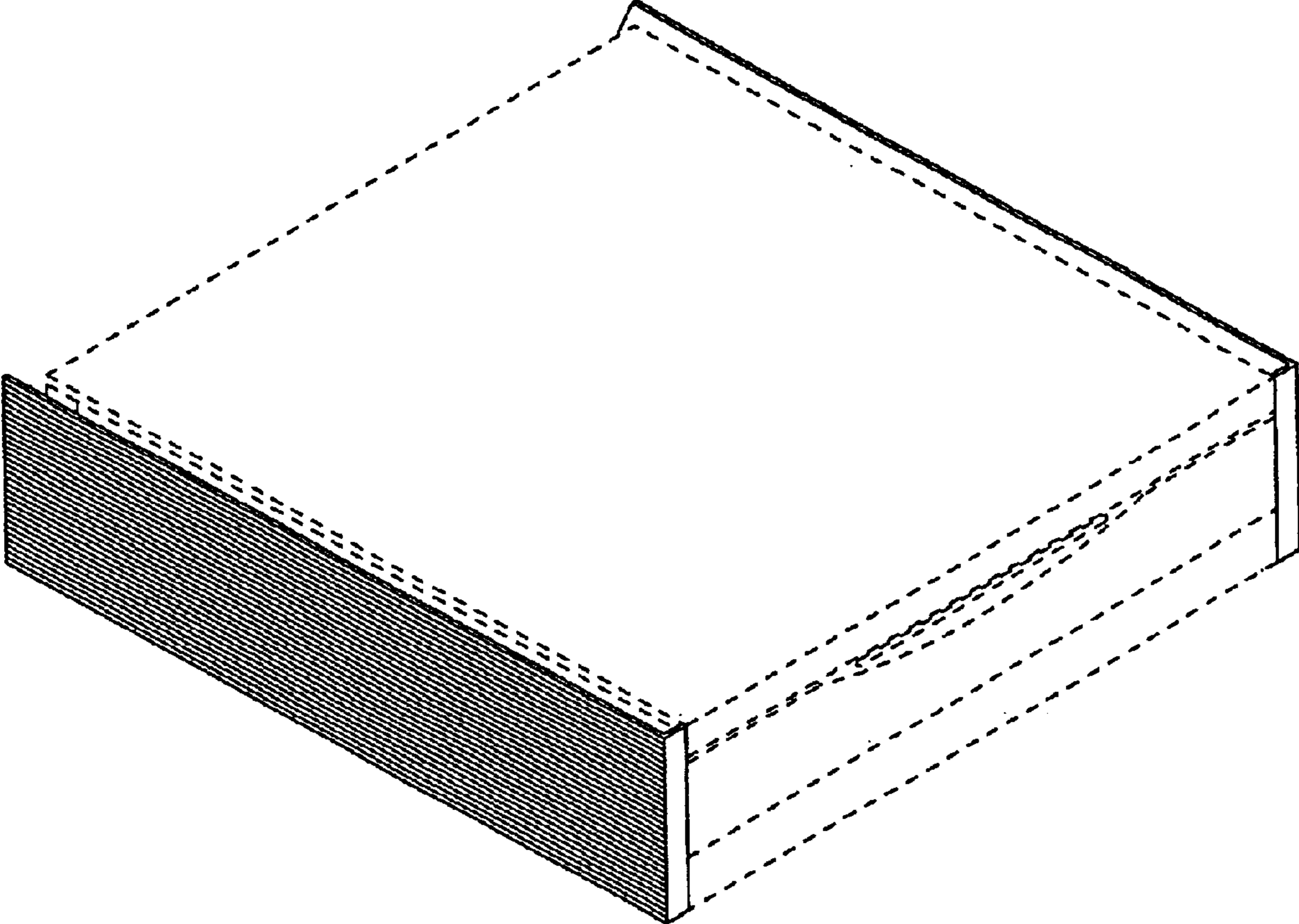


FIG. 10

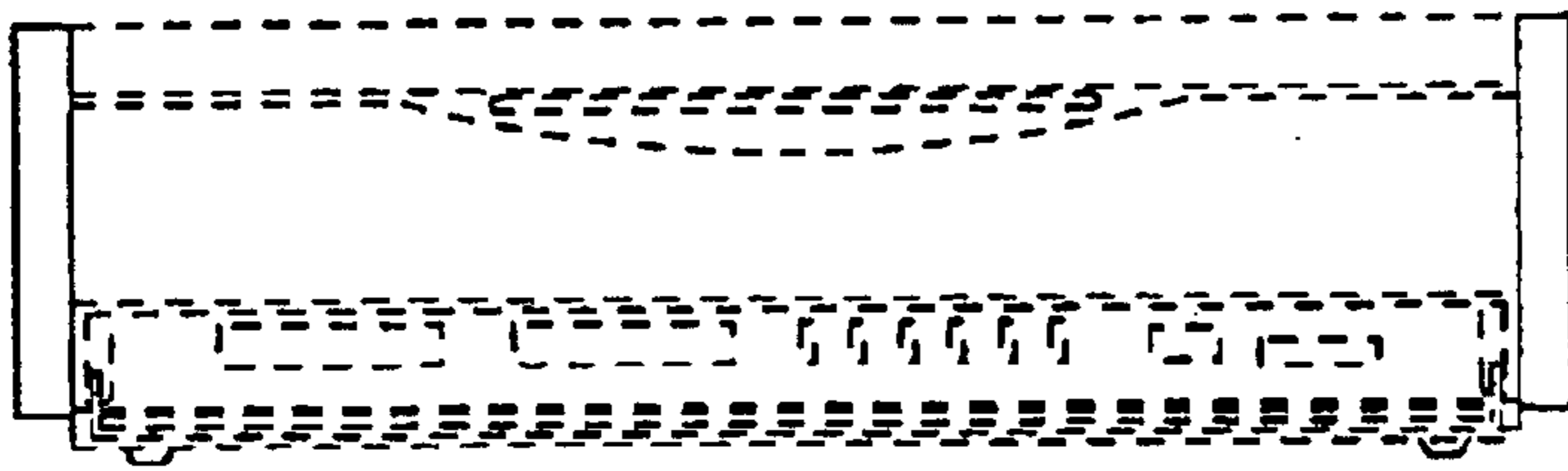


FIG. 11

