

US00D493454S1

(12) **United States Design Patent**
Andre et al.

(10) **Patent No.:** **US D493,454 S**
(45) **Date of Patent:** **** Jul. 27, 2004**

(54) **COMPUTER**

(75) Inventors: **Bartley K. Andre**, Menlo Park, CA (US); **Daniel J. Coster**, San Francisco, CA (US); **Daniele De Iuliis**, San Francisco, CA (US); **Richard P. Howarth**, San Francisco, CA (US); **Jonathan P. Ive**, San Francisco, CA (US); **Steve Jobs**, Palo Alto, CA (US); **Duncan Robert Kerr**, San Francisco, CA (US); **Matthew Dean Rohrbach**, San Francisco, CA (US); **Douglas B. Satzger**, San Carlos, CA (US); **Calvin Q. Seid**, Palo Alto, CA (US); **Christopher J. Stringer**, Pacifica, CA (US); **Eugene Anthony Whang**, San Francisco, CA (US)

(73) Assignee: **Apple Computer, Inc.**, Cupertino, CA (US)

(**) Term: **14 Years**

(21) Appl. No.: **29/165,968**

(22) Filed: **Aug. 19, 2002**

Related U.S. Application Data

(63) Continuation-in-part of application No. 29/157,015, filed on Mar. 8, 2002, now abandoned.

(51) **LOC (7) Cl.** **14-02**

(52) **U.S. Cl.** **D14/336; D14/371**

(58) **Field of Search** **D14/336, 337, D14/371, 376, 381, 382, 125-129; 341/12; 345/104, 156, 133, 168, 173; 348/180, 184, 325, 739; 349/1, 2, 11, 62**

(56) **References Cited**

U.S. PATENT DOCUMENTS

D277,383 S 1/1985 Boudreau et al.
D413,105 S 8/1999 Jobs et al.

D438,863 S * 3/2001 Ho et al. D14/336
D439,247 S 3/2001 Kim
D443,266 S * 6/2001 Tsai et al. D14/336

OTHER PUBLICATIONS

“The Mac 512k/512ke”, www.apple-history.com/512k.html, downloaded Jan. 23, 2003.

“The iMac”, www.apple-history.com/imac.html, downloaded Jan. 23, 2003.

“The iMac (Rev. C/D)”, www.apple-history.com/imacrevc.html, downloaded Jan. 23, 2003.

“The iMac, “Slot Loading””, www.apple-history.com/imacslot.html, downloaded Jan. 23, 2003.

“The iMac (Summer 2000)”, www.apple-history.com/imac2000.html, downloaded Jan. 23, 2003.

(List continued on next page.)

Primary Examiner—Freda Nunn

(74) *Attorney, Agent, or Firm*—Beyer Weaver & Thomas, LLP

(57) **CLAIM**

We claim the ornamental design for a computer, substantially as shown and described.

DESCRIPTION

FIG. 1 is a perspective view of a computer in accordance with the present design;

FIG. 2 is front view for the computer as shown in FIG. 1;

FIG. 3 is a rear view for the computer as shown in FIG. 1;

FIG. 4 is a right side view for the computer as shown in FIG. 1;

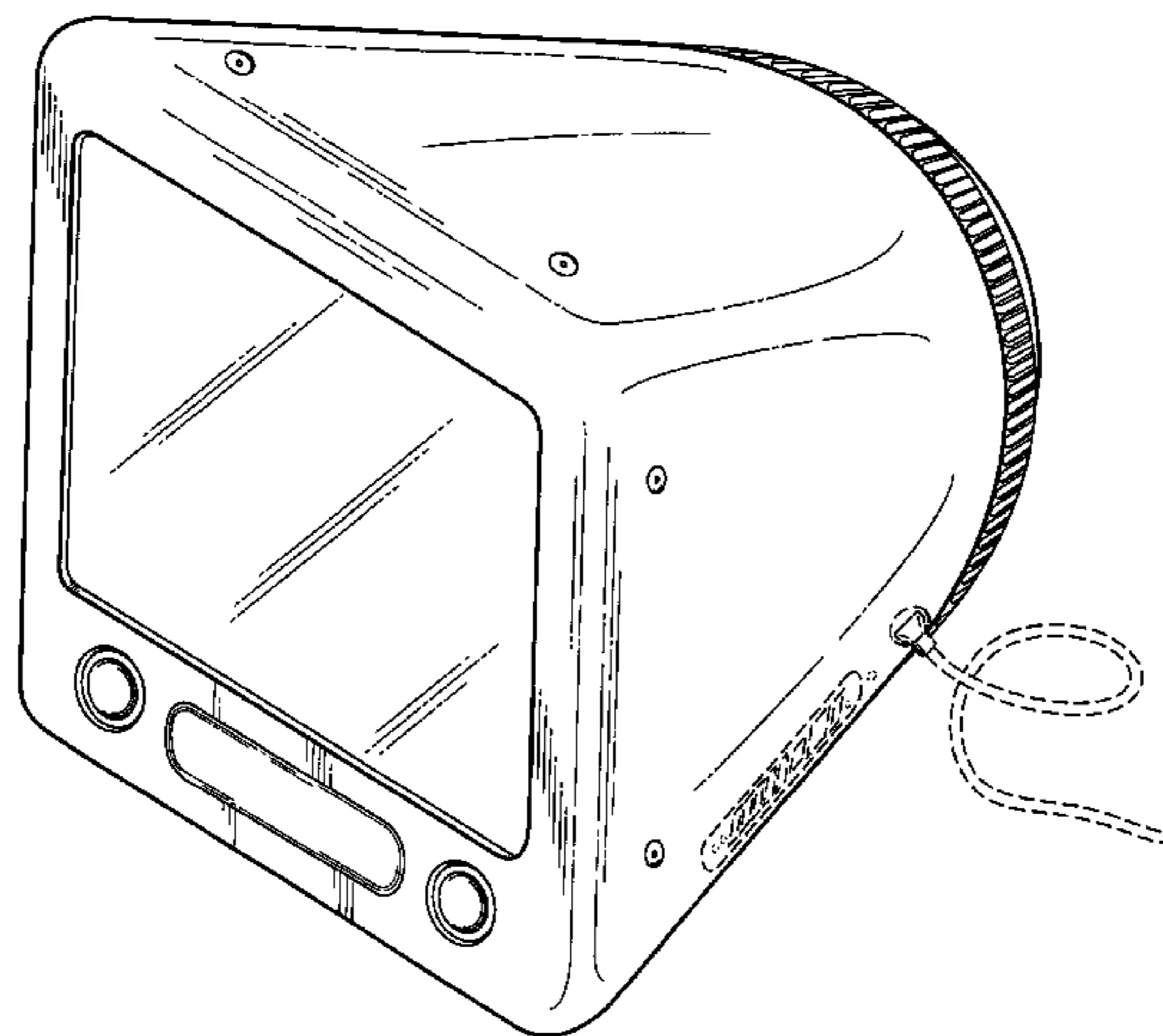
FIG. 5 is a left side view for the computer as shown in FIG. 1;

FIG. 6 is a top view for the computer as shown in FIG. 1; and,

FIG. 7 is a bottom view for the computer as shown in FIG. 1.

The broken lines are shown in the views for illustrative purposes only and form no part of the claimed design.

1 Claim, 4 Drawing Sheets



OTHER PUBLICATIONS

“The iMac DV/SE”, www.apple-history.com/imacdv.html, downloaded Jan. 23, 2003.

“The iMac DV+”, www.apple-history.com/dvplus.html, downloaded Jan. 23, 2003.

The iMac DV SE (Summer 2000), www.apple-history.com/dvse2000.html, downloaded Jan. 23, 2003.

“The iMac SE (Early 2001)”, www.apple-history.com/imacse_cdrw.html, downloaded Jan. 23, 2003.

“The iMac (Summer 2001)”, www.apple-history.com/imac_2001.html, downloaded Jan. 23, 2003.

“The iMac (Flat Panel)”, www.apple-history.com/imac_flat.html, downloaded Jan. 23, 2003.

Ian Fried, “Apple unveils the eMac”, www.zdnet.com.com/2102-1103-893781.html, Apr. 29, 2002.

* cited by examiner

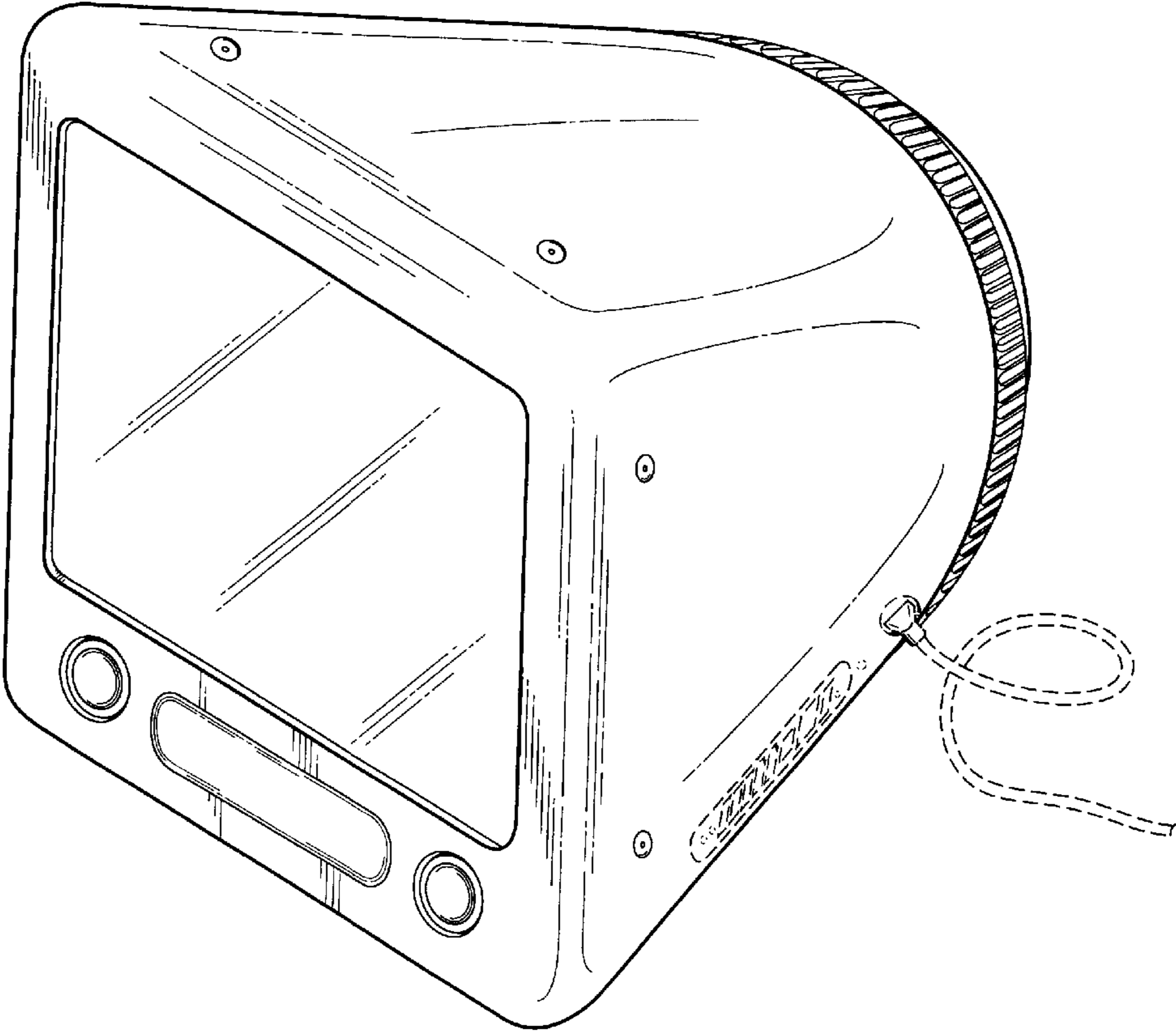


Figure 1

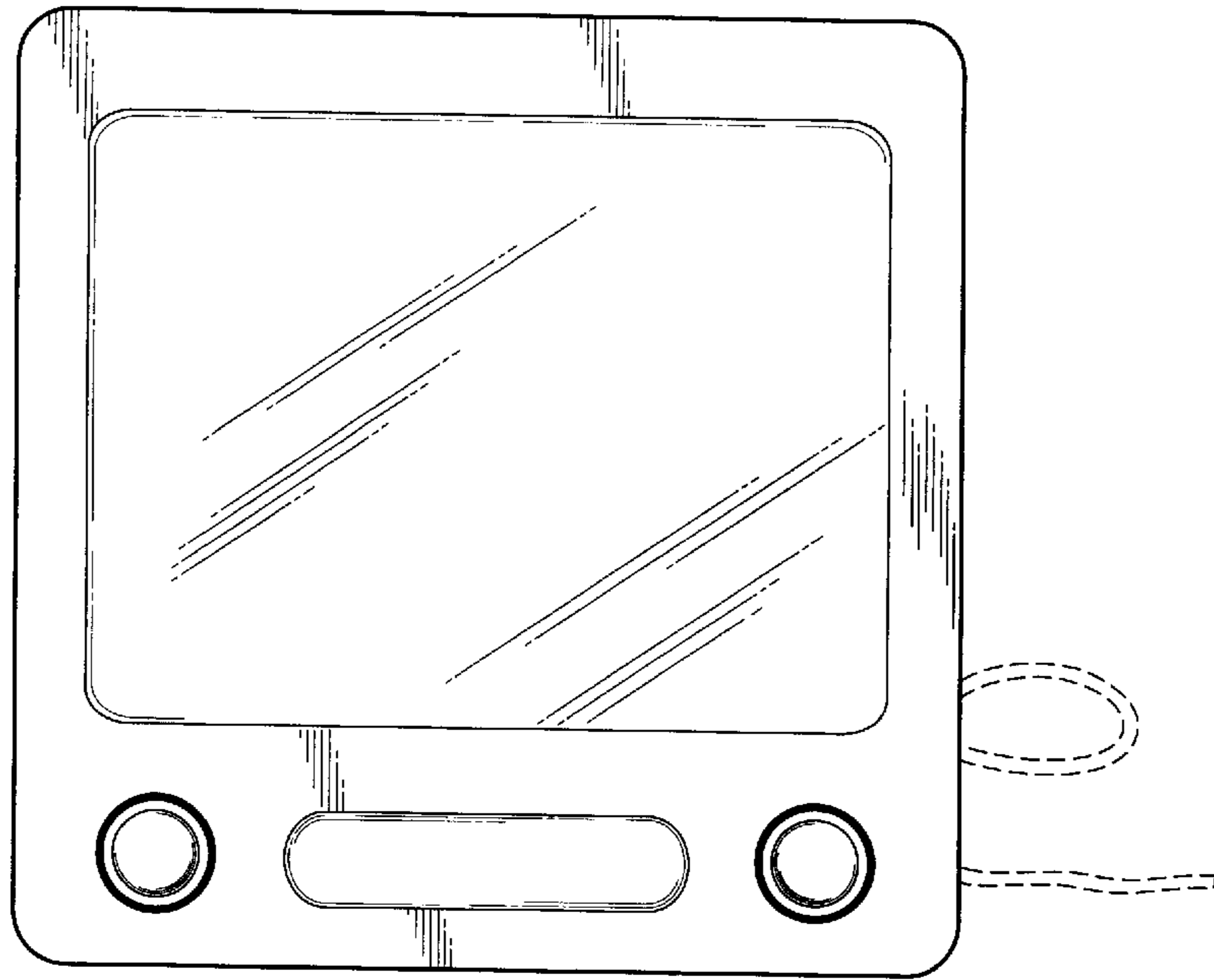


Figure 2

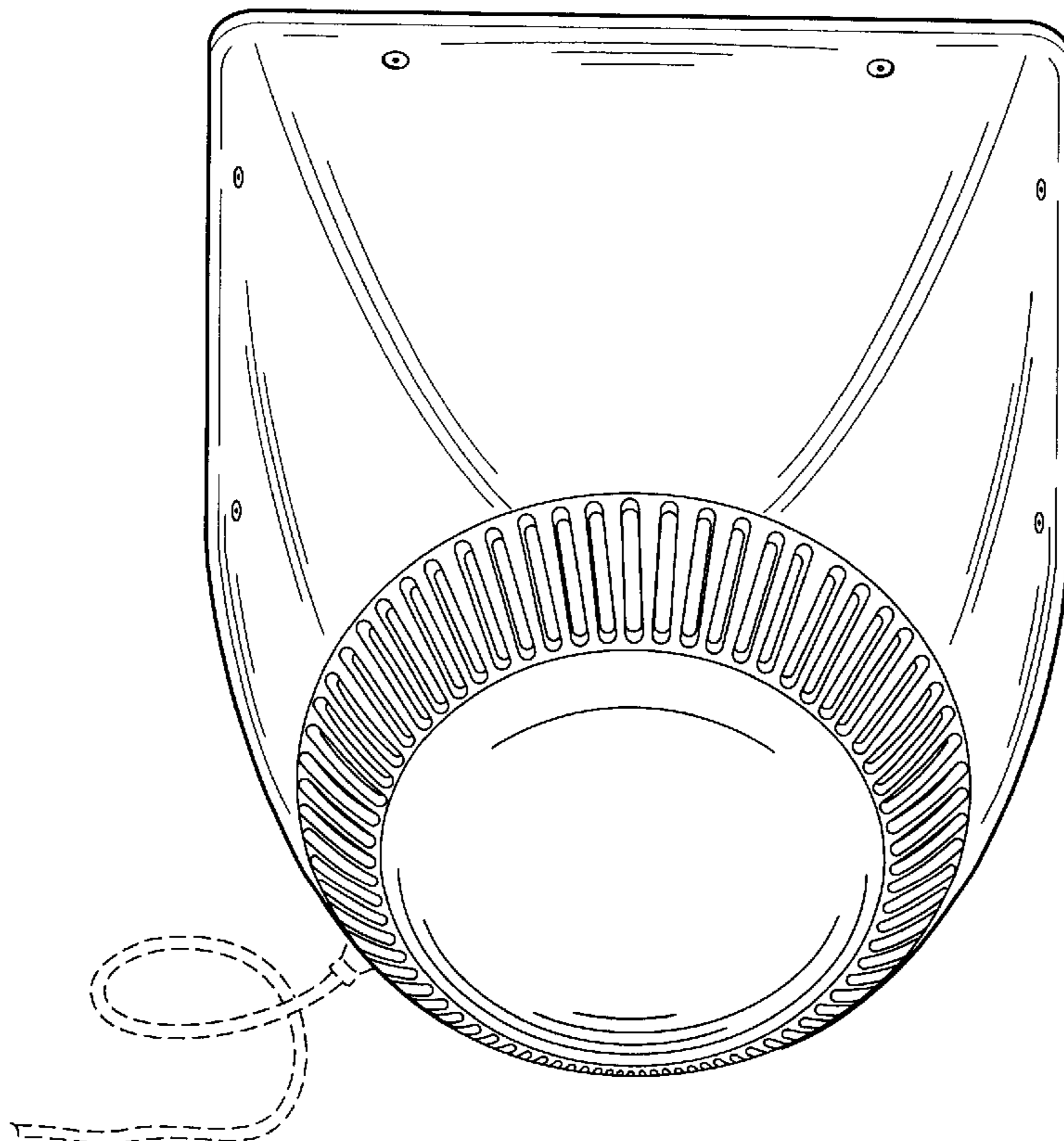


Figure 3

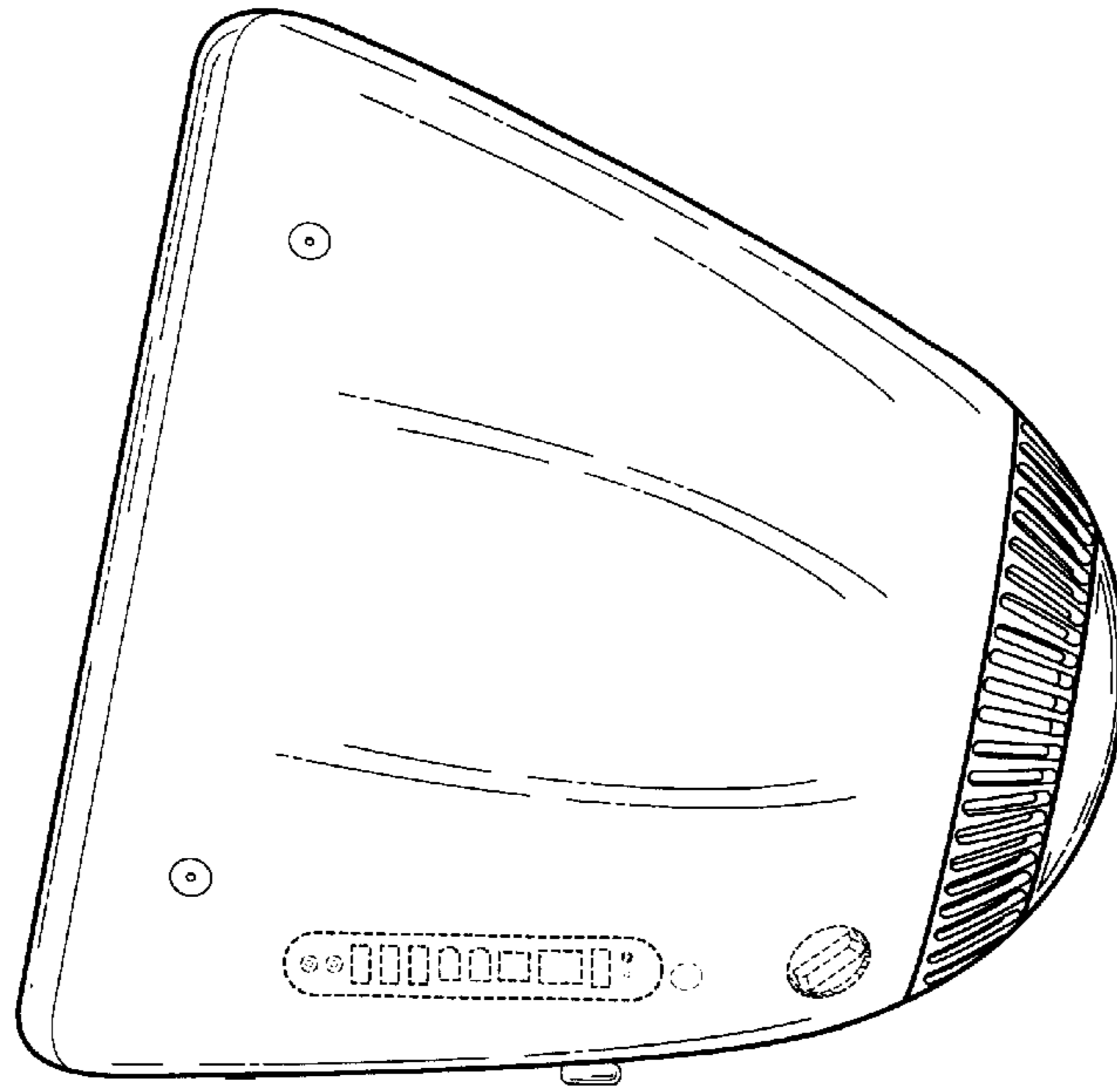


Figure 4

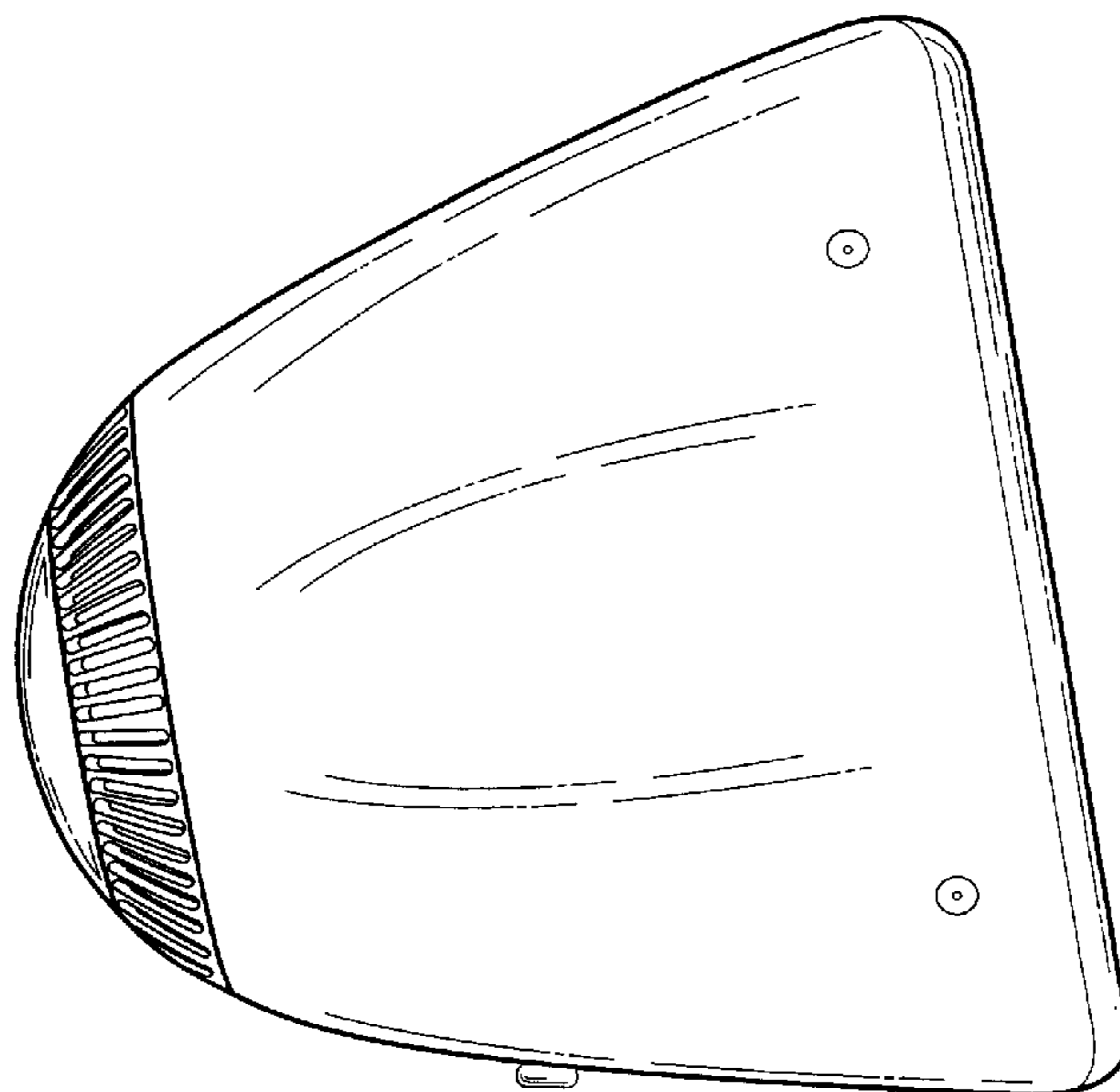


Figure 5

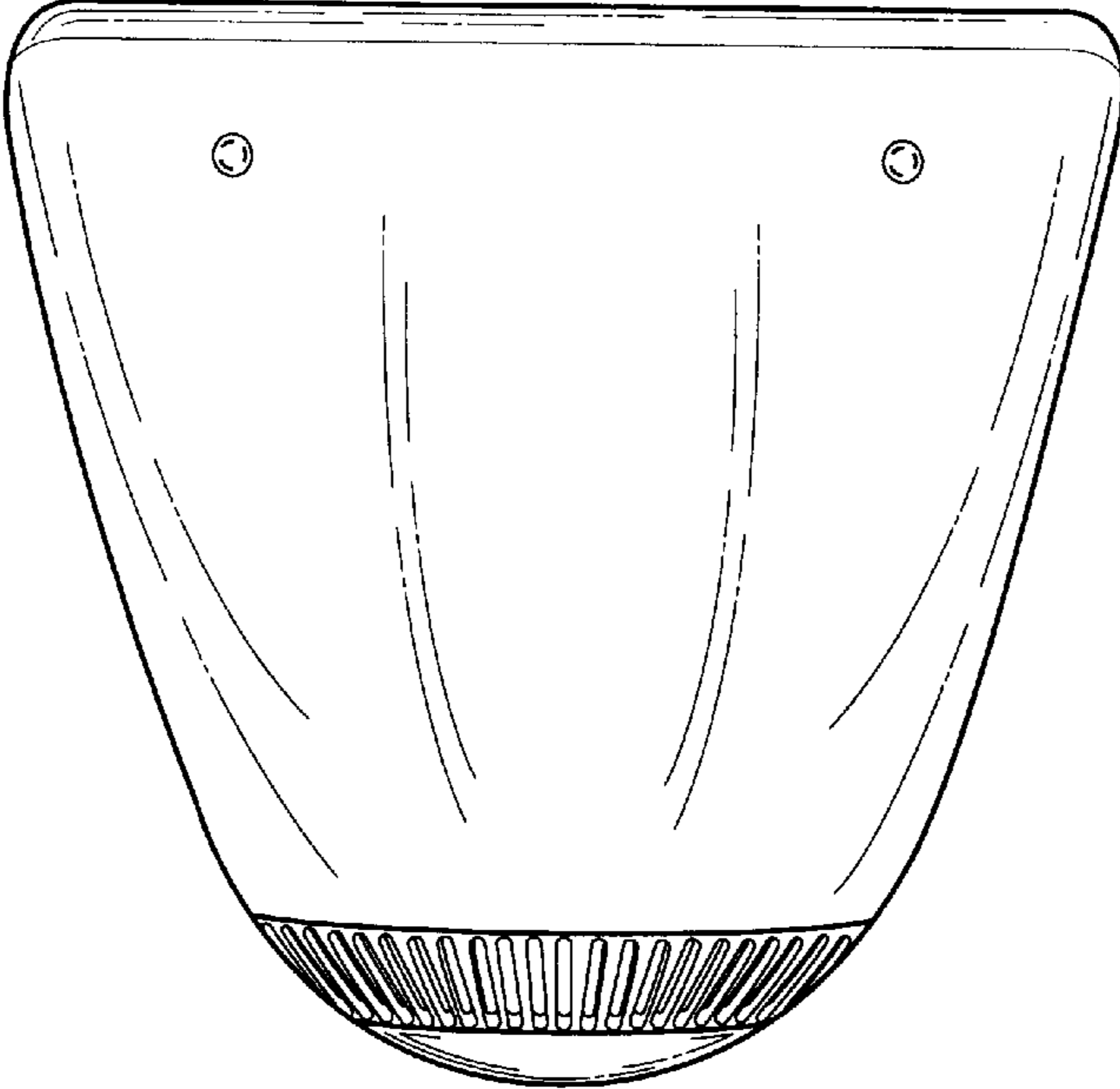


Figure 6

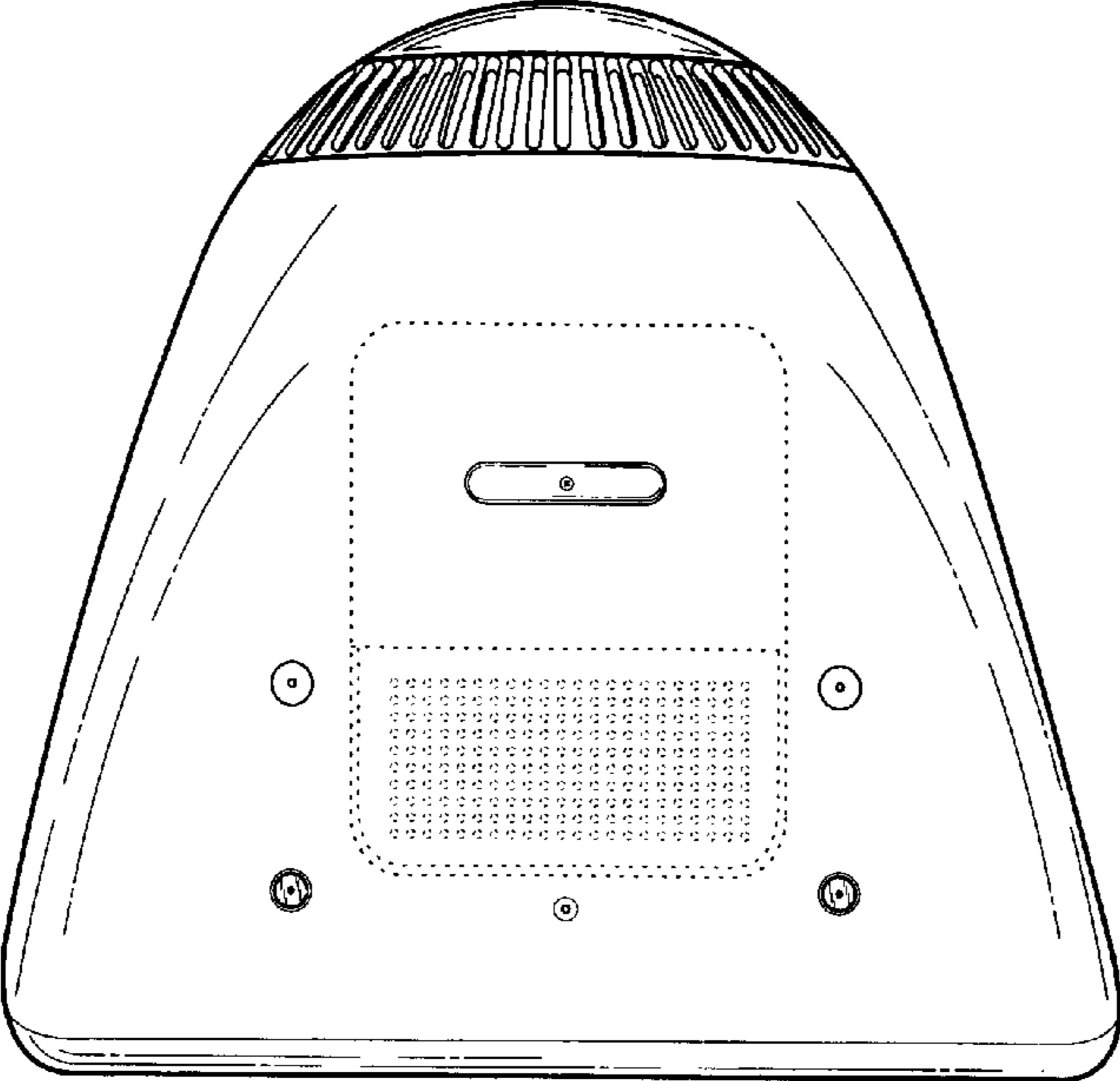


Figure 7