

US00D493452S1

(12) **United States Design Patent**
Devane et al.

(10) **Patent No.: US D493,452 S**
(45) **Date of Patent: ** Jul. 27, 2004**

(54) **COMMUNICATION APPARATUS**
(75) Inventors: **Sean Devane**, Bristol (GB); **Jim Orkney**, Backwell (GB); **Simon Kidd**, Melbourne (AU)
(73) Assignee: **Marconi Communications Limited**, Coventry (GB)
(**) Term: **14 Years**

D349,693 S * 8/1994 Brossardt D14/302
D378,082 S * 2/1997 Wilson D14/900
D415,330 S * 10/1999 King D99/28
D422,568 S * 4/2000 Brunetti D14/302
D425,875 S * 5/2000 Wilson D14/307
D434,202 S * 11/2000 Mallory D99/28
D453,754 S * 2/2002 Petersen D14/307
D455,536 S * 4/2002 Lowe D99/28
D473,554 S * 4/2003 Landerholm et al. D14/302

* cited by examiner

(21) Appl. No.: **29/171,055**
(22) Filed: **Nov. 15, 2002**

Primary Examiner—Charles A. Rademaker
(74) *Attorney, Agent, or Firm*—Kirschstein et al.

(30) **Foreign Application Priority Data**

May 17, 2002 (GB) 3003684

(57) **CLAIM**

The ornamental design for a communication apparatus, as shown.

(51) **LOC (7) Cl.** **14-01**
(52) **U.S. Cl.** **D14/307**
(58) **Field of Search** D14/302, 900, D14/308, 253, 240, 148, 130, 138, 144, 307; 379/419, 420.02, 420.04, 428.02, 428.04, 400, 457; 194/205, 206; 361/687; D99/28

DESCRIPTION

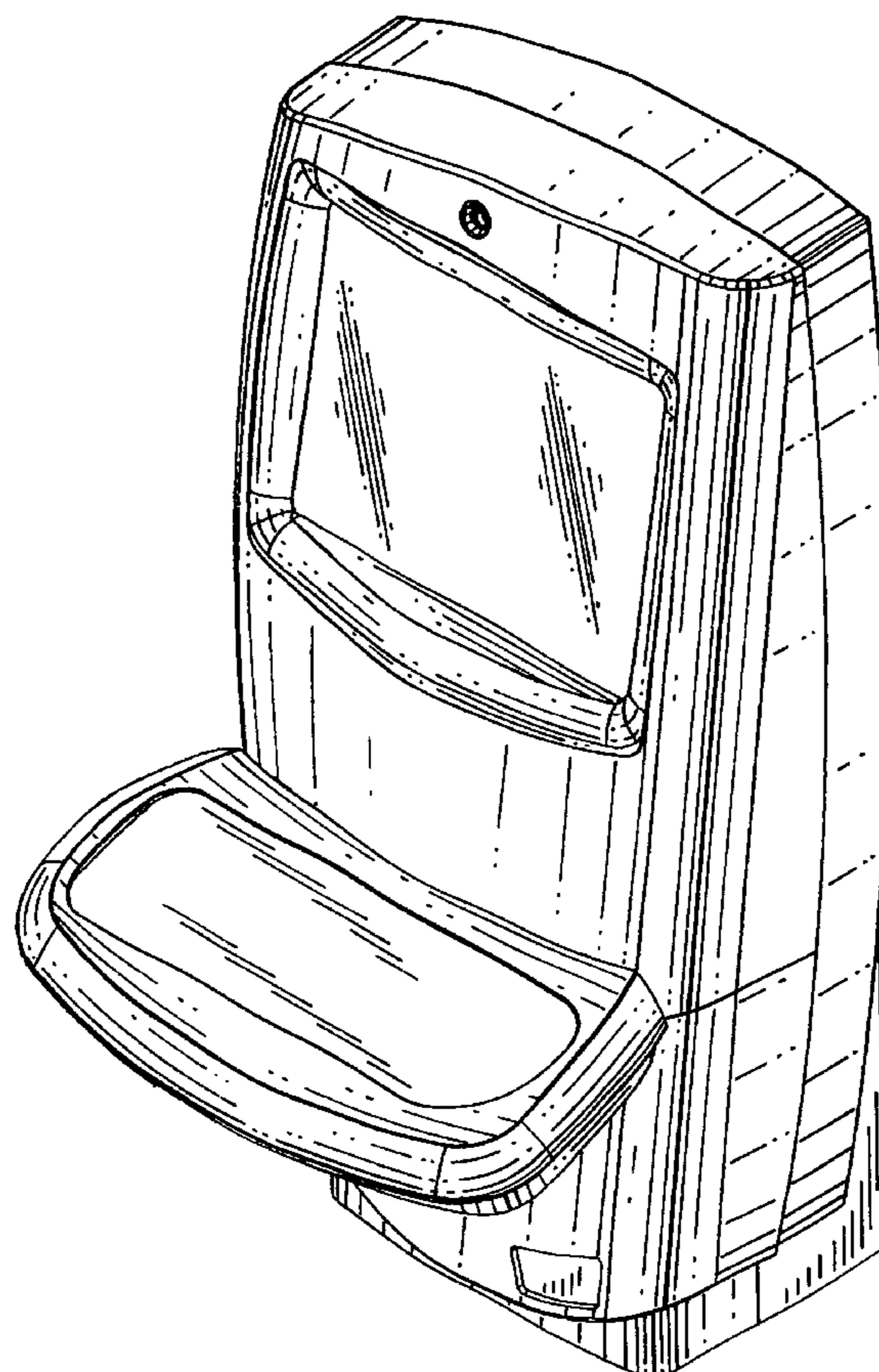
FIG. 1 is a front perspective view of the communication apparatus according to our new design; FIG. 2 is a front elevational view thereof; FIG. 3 is a left side elevational view thereof; FIG. 4 is a right side elevational view thereof; FIG. 5 is a top plan view thereof; FIG. 6 is a bottom plan view; and, FIG. 7 is a rear elevational view thereof.

(56) **References Cited**

U.S. PATENT DOCUMENTS

D338,492 S * 8/1993 McNall et al. D14/900
D341,586 S * 11/1993 Alvarez-Ryan et al. D14/130

1 Claim, 7 Drawing Sheets



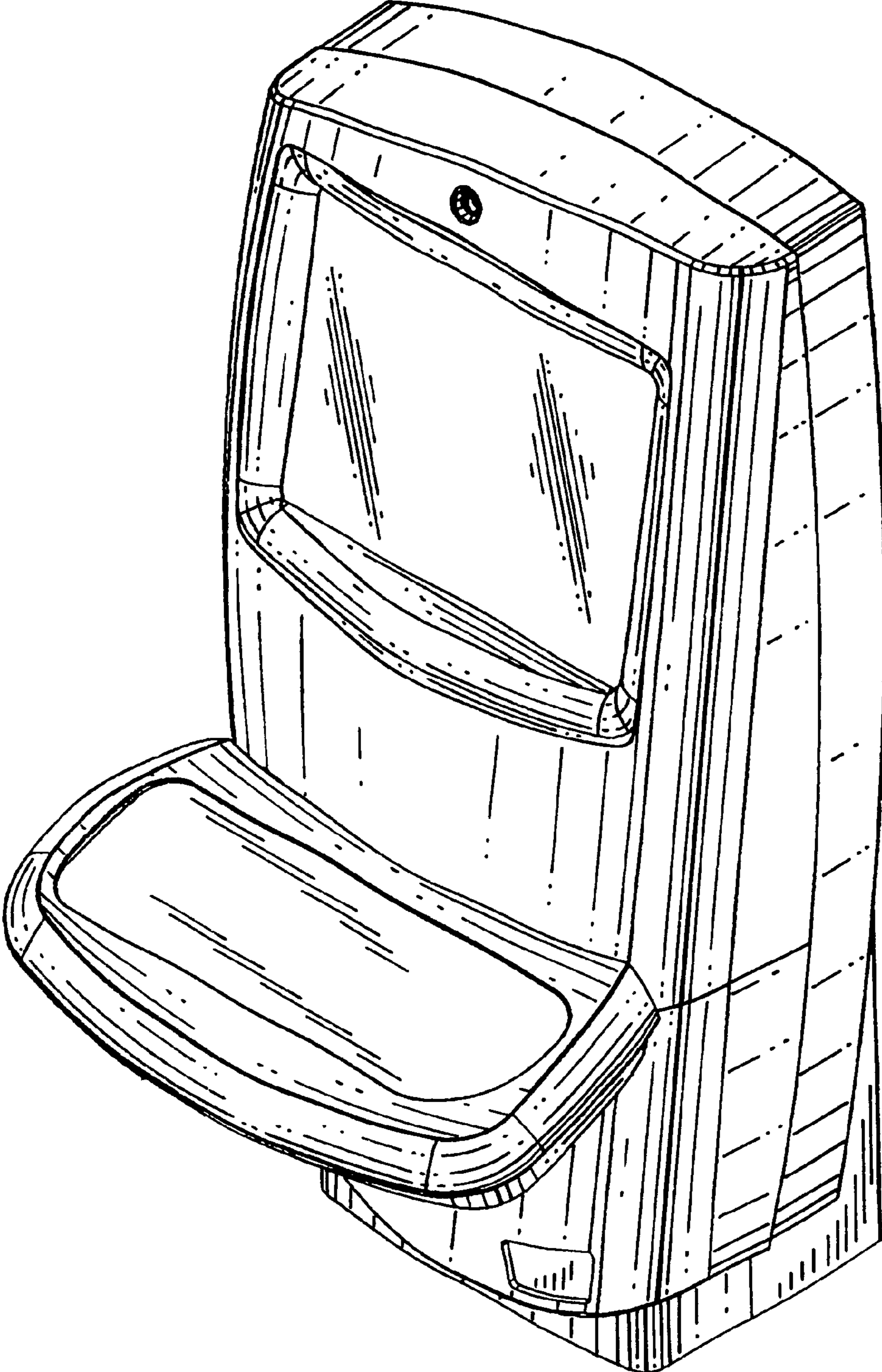


FIG. 1

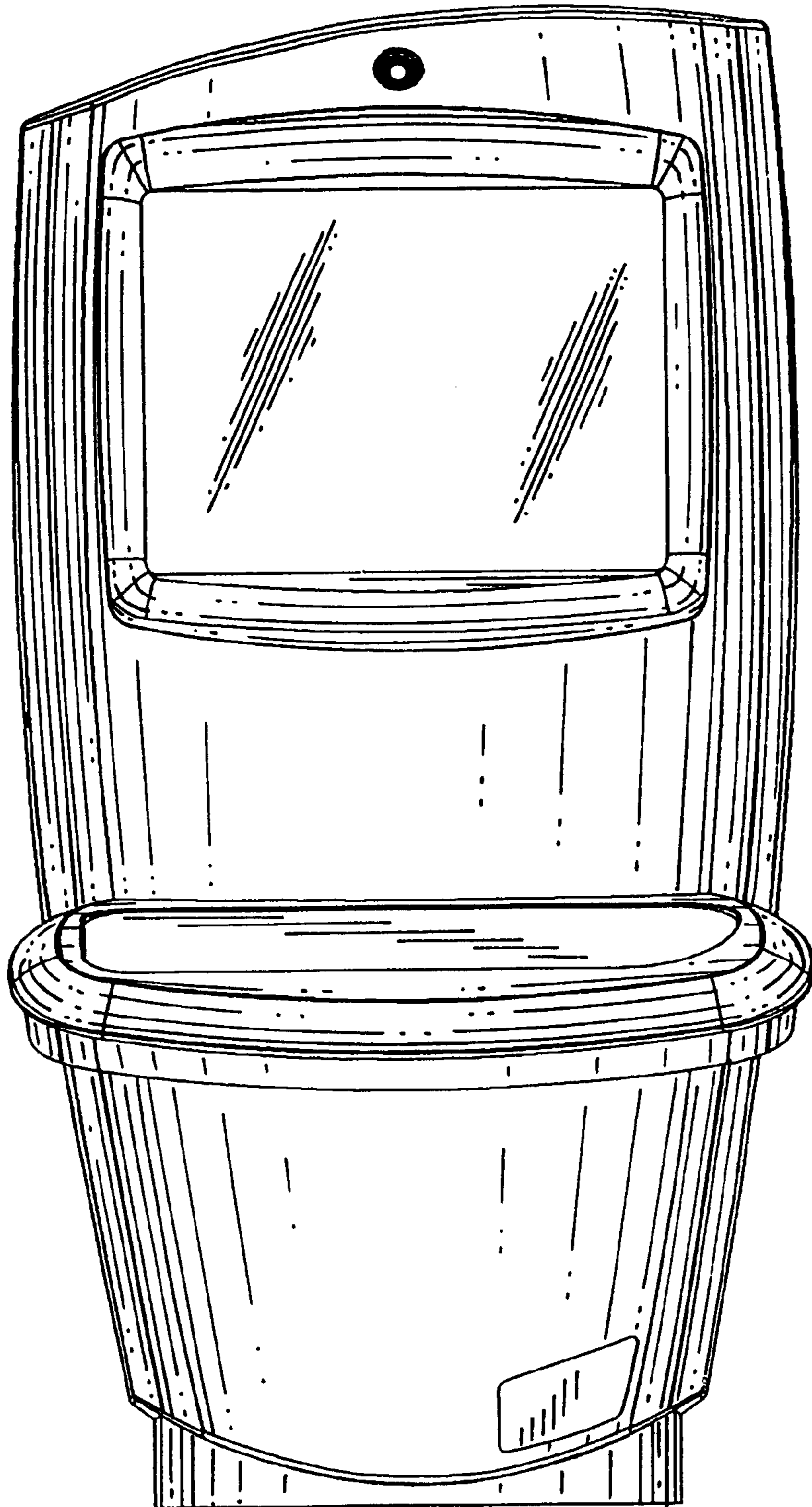


FIG. 2

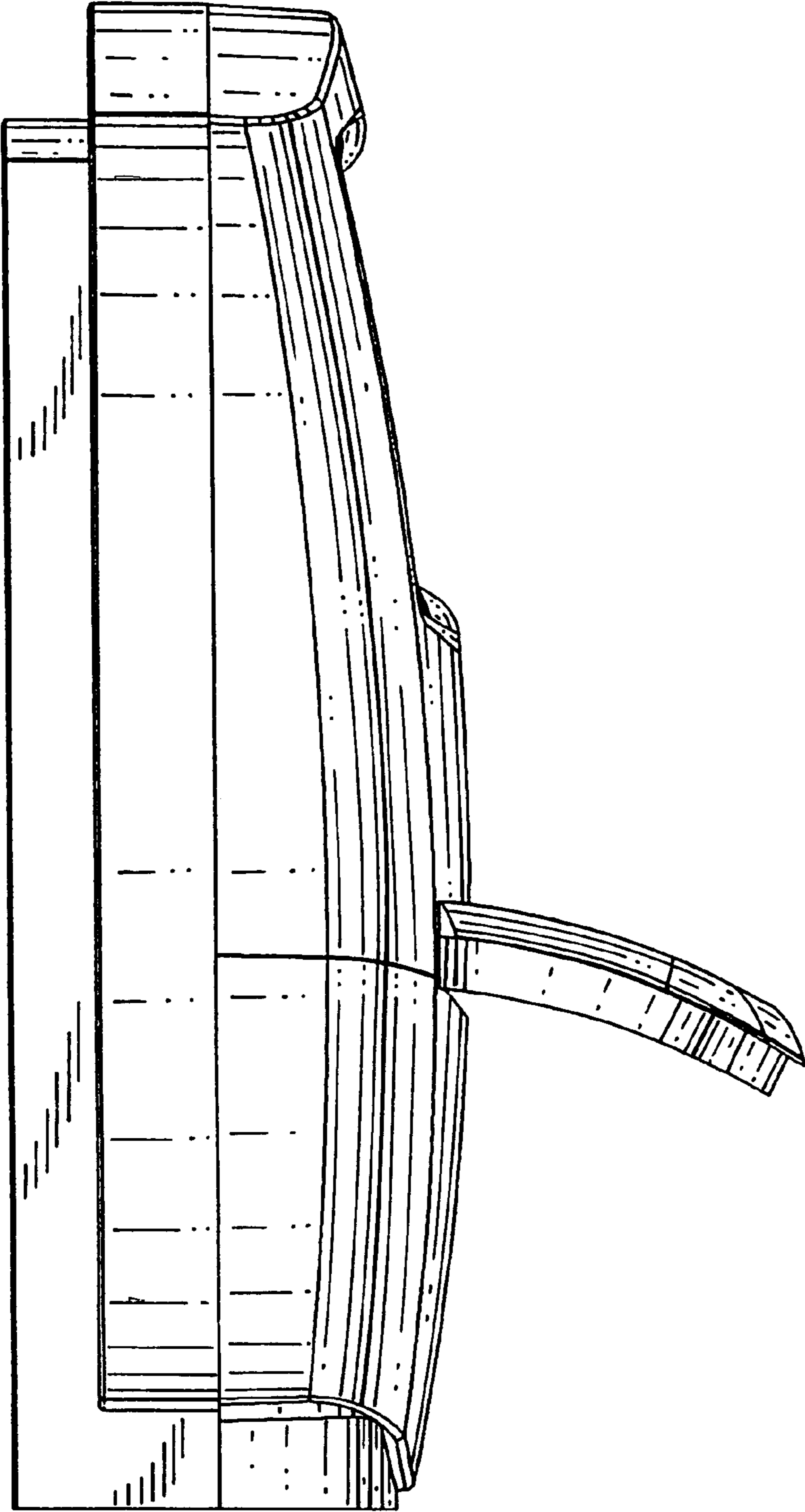


FIG. 3

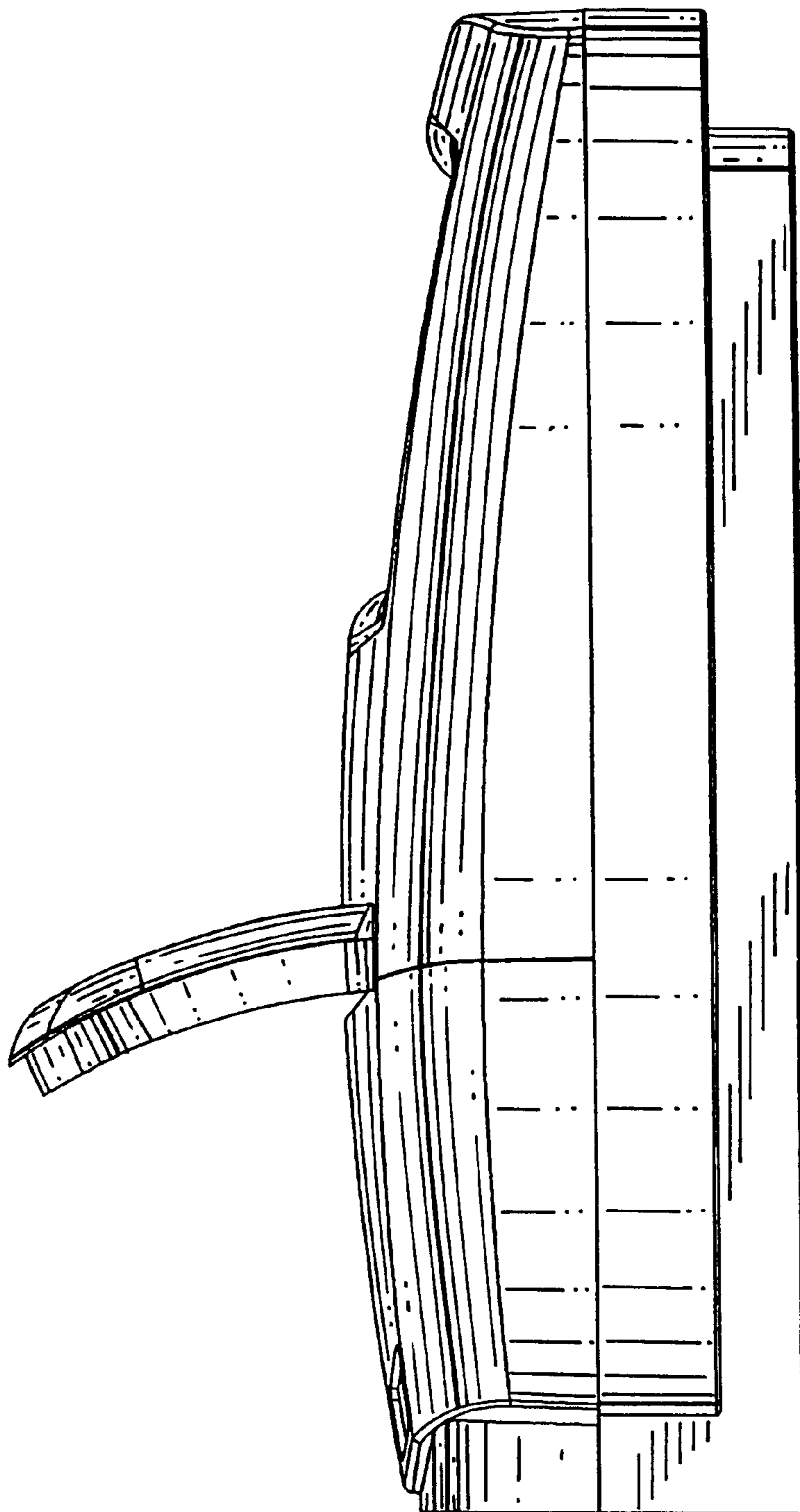


FIG. 4

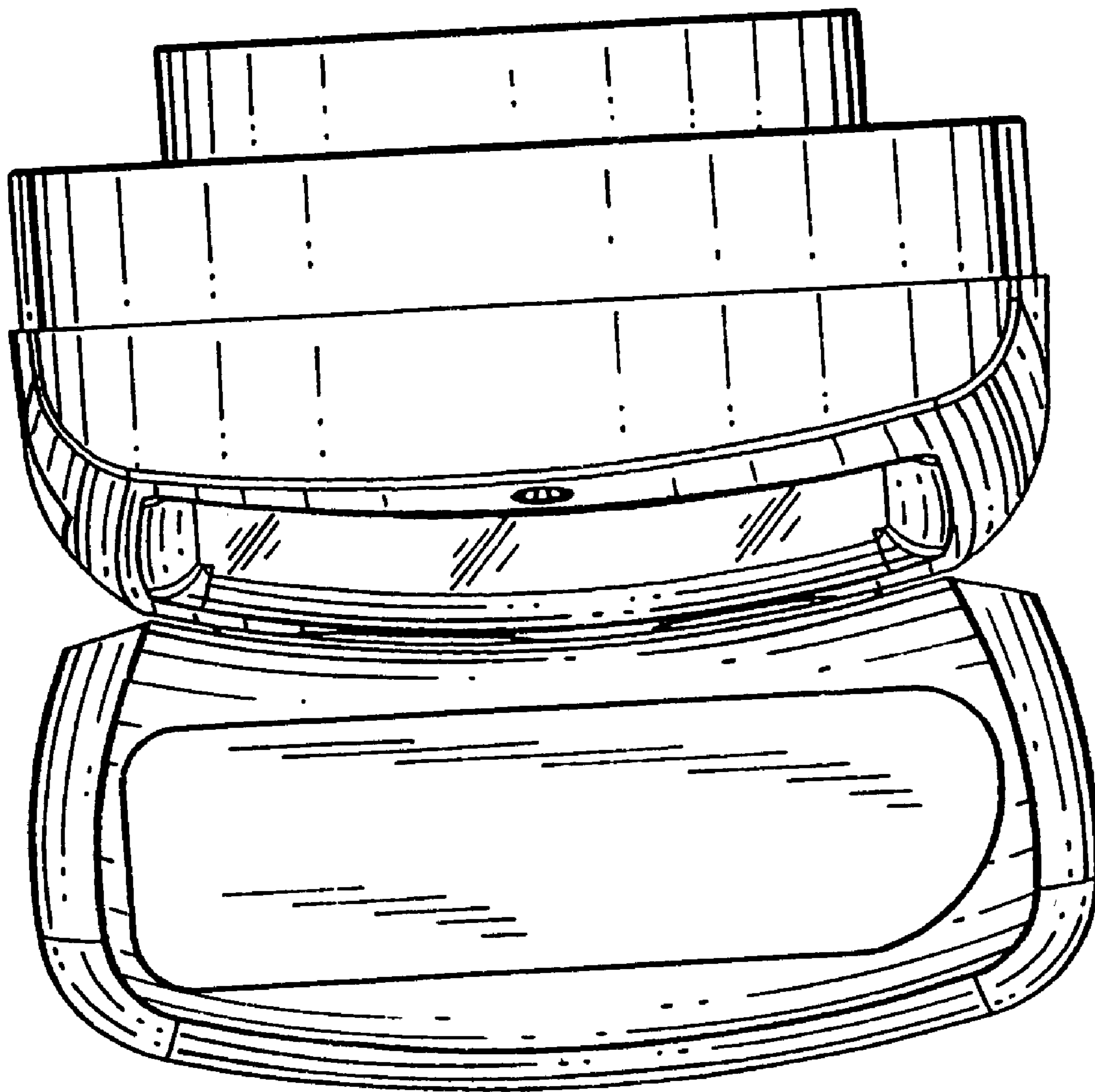


FIG. 5

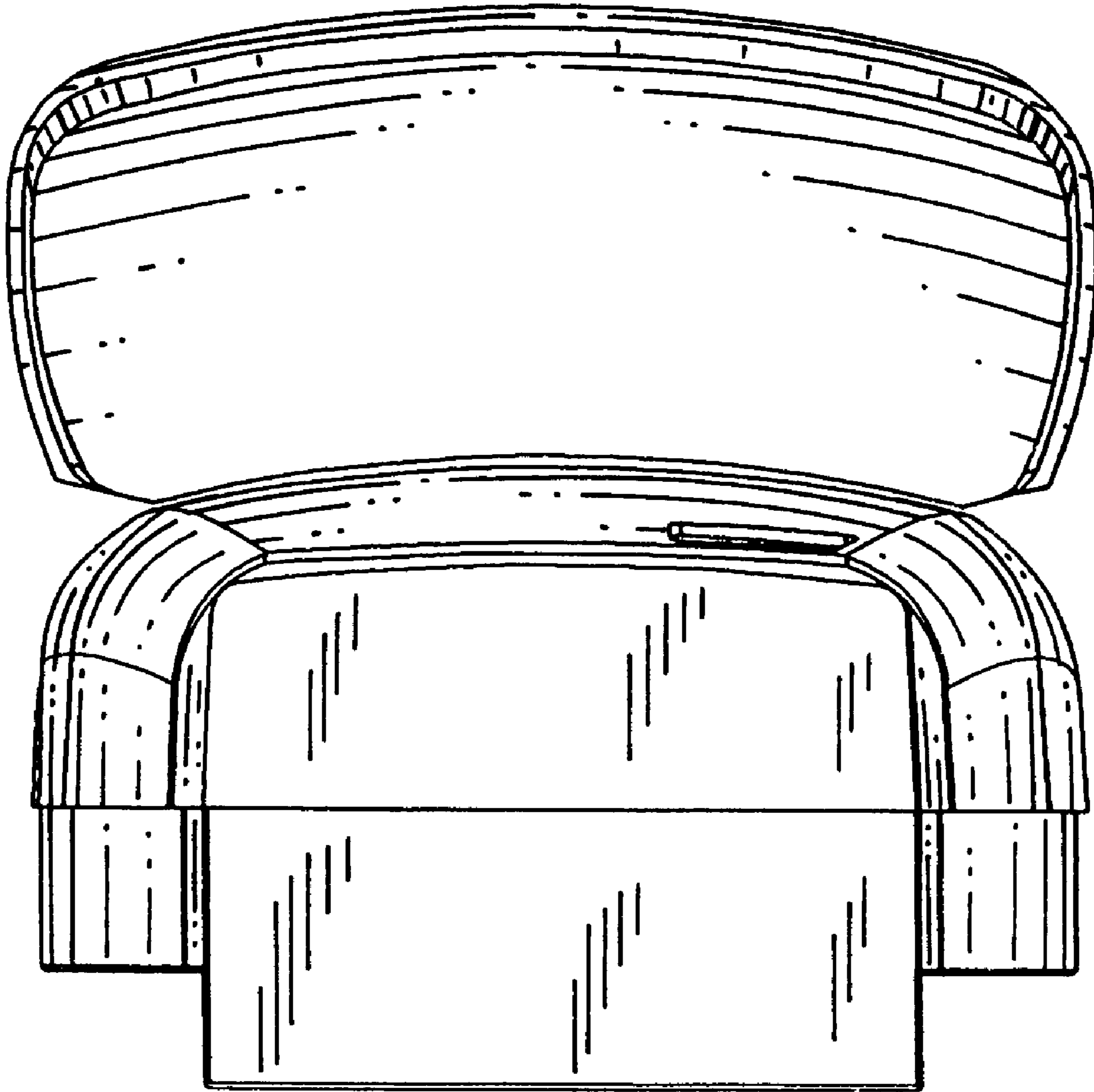


FIG. 6

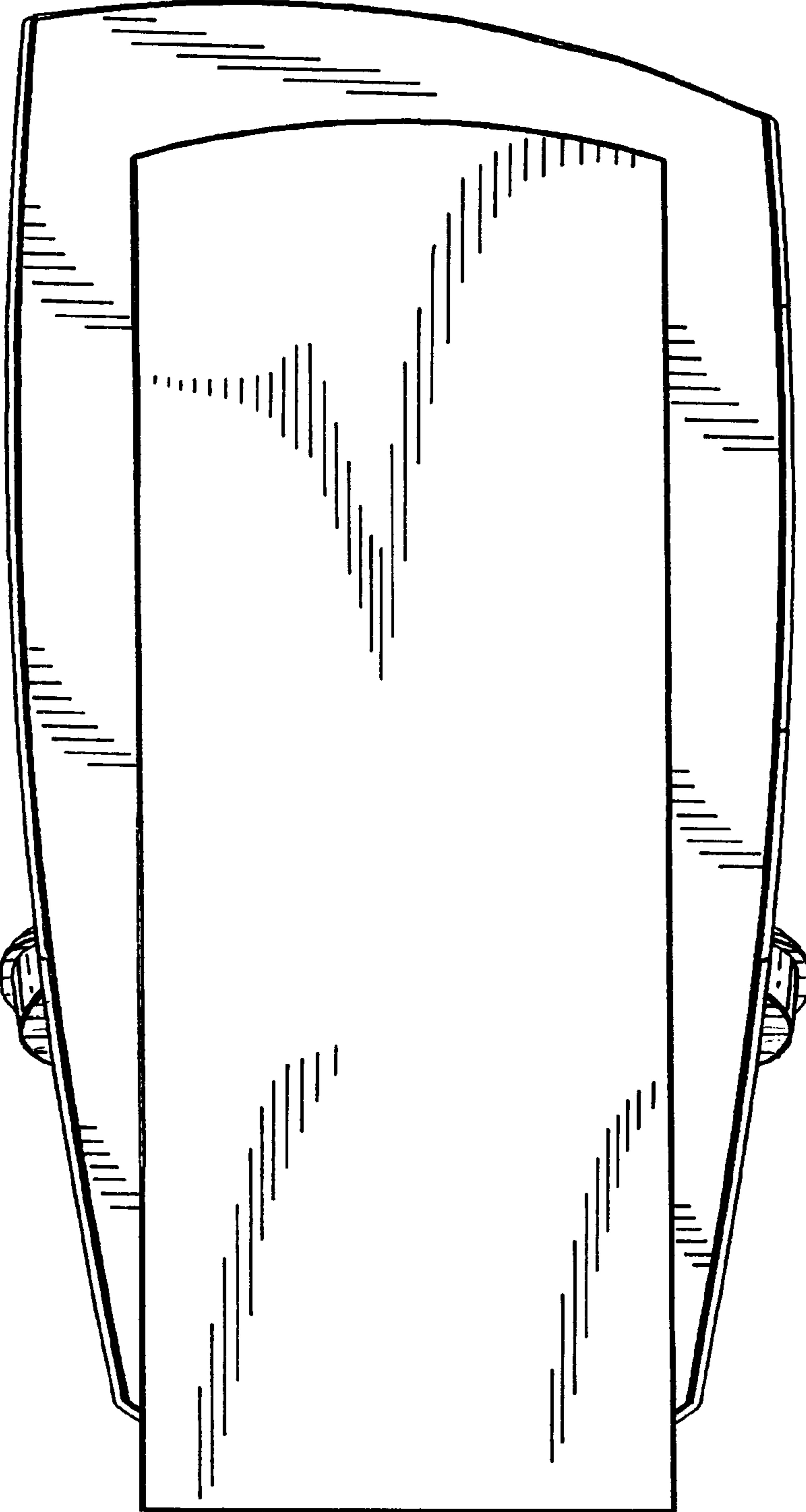


FIG. 7