

US00D493451S1

(12) **United States Design Patent** (10) **Patent No.:** **US D493,451 S**
Wada (45) **Date of Patent:** **** Jul. 27, 2004**

(54) **MOBILE PHONE**
(75) **Inventor:** **Joe Wada, Malmo (SE)**
(73) **Assignee:** **Sony Ericsson Mobile Communications AB, Lund (SE)**
(**) **Term:** **14 Years**
(21) **Appl. No.:** **29/172,563**
(22) **Filed:** **Dec. 13, 2002**

D466,889 S * 12/2002 Takada D14/247
D466,892 S * 12/2002 Hoornaert et al. D14/346
D468,304 S * 1/2003 Ruohonen D14/247
D469,757 S * 2/2003 Majanen D14/247
D469,758 S * 2/2003 Langford D14/247
D471,903 S * 3/2003 Burns et al. D14/247
D475,042 S * 5/2003 Lehtonen D14/247
D475,999 S * 6/2003 Pottie et al. D14/247
D476,648 S * 7/2003 Salmi D14/247
D476,983 S * 7/2003 Salmi D14/247
D481,381 S * 10/2003 Toor et al. D14/247
D481,711 S * 11/2003 Vuolteenaho D14/247

(51) **LOC (7) Cl.** **14-03**
(52) **U.S. Cl.** **D14/247**
(58) **Field of Search** D14/137, 138,
D14/218, 147-148, 247-249, 144, 455,
456, 341-347, 338-340, 399, 426, 387,
429, 453; 379/433.01-433.13, 434, 419,
420.01-420.04, 428.01-428.02, 440, 368-370;
455/550.1-90.3; D13/168; D18/2, 7; 345/168,
169

FOREIGN PATENT DOCUMENTS

WO DM/060792 * 6/2002 14/3

OTHER PUBLICATIONS

“DIME”, published Oct. 5, 2000, No. 20, J-phone, cover and p. 5 included.*

* cited by examiner

Primary Examiner—Jeffrey Asch

(74) *Attorney, Agent, or Firm*—Myers Bigel Sibley & Sajovec

(56) **References Cited**

U.S. PATENT DOCUMENTS

D389,488 S * 1/1998 Williams et al. D14/247
5,774,540 A * 6/1998 Davidson et al. 379/396
D398,305 S * 9/1998 Kasbekar et al. D14/138
D402,981 S * 12/1998 Galletti et al. D14/138
D408,813 S * 4/1999 Prior D14/138
D409,204 S * 5/1999 Vuolteenaho D14/247
D413,325 S * 8/1999 Lee D14/138
D419,991 S * 2/2000 Park D14/138
D421,611 S * 3/2000 Nuovo D14/248
D424,571 S * 5/2000 Finkbeiner D14/247
D425,904 S * 5/2000 Frye et al. D14/247
D440,561 S * 4/2001 Kolinen D14/247
6,246,862 B1 * 6/2001 Grivas et al. 455/566
D450,690 S * 11/2001 Higashi et al. D14/247
D455,737 S * 4/2002 Salmi et al. D14/247
D456,391 S * 4/2002 Kolinen D14/247
D459,324 S * 6/2002 Ahlgren D14/138
D459,344 S * 6/2002 Vuolteenaho D14/247

(57) **CLAIM**

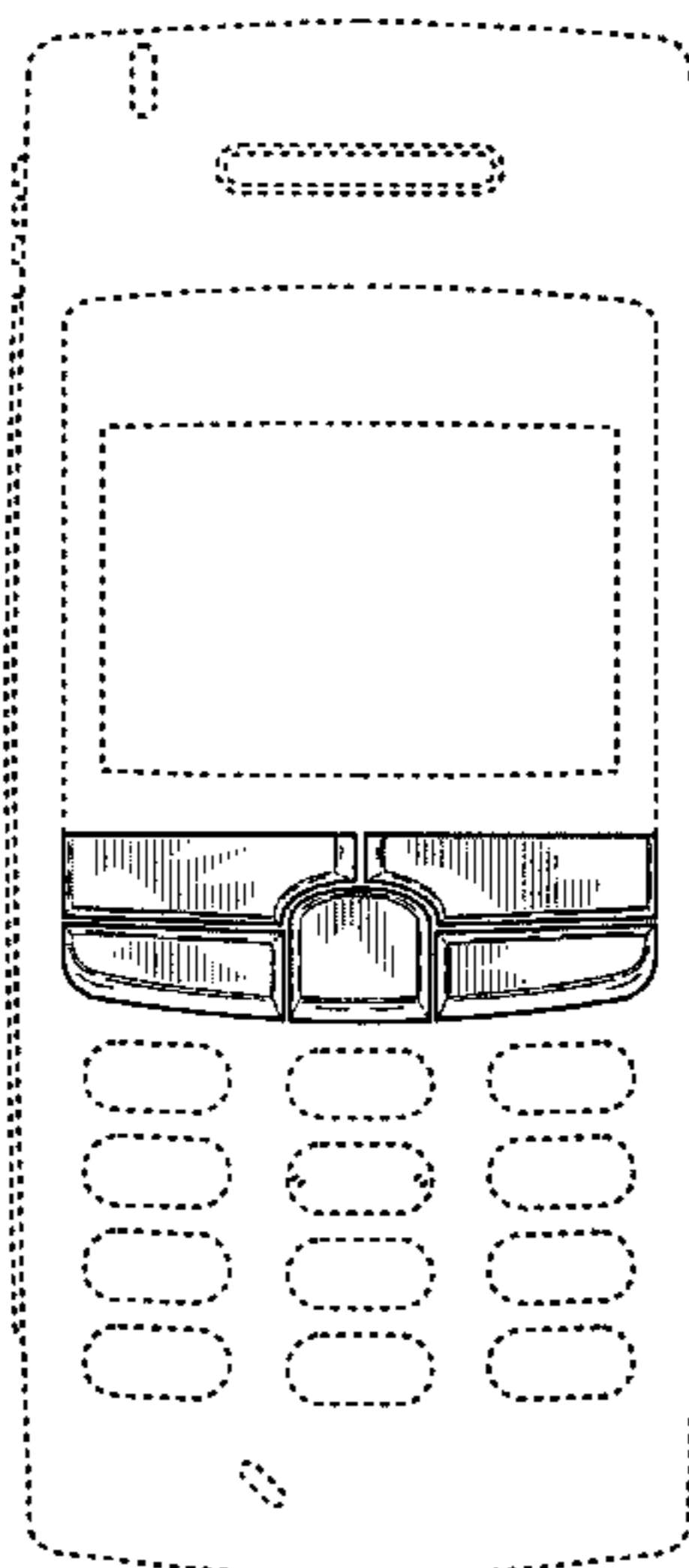
The ornamental design for a mobile phone, as shown and described.

DESCRIPTION

FIG. 1 is a front plan view of a mobile phone including function keys showing my design;
FIG. 2 is a right side view thereof;
FIG. 3 is a left view thereof;
FIG. 4 is a back view thereof;
FIG. 5 is a top view thereof; and,
FIG. 6 is a bottom view thereof.

The broken lines shown herein are for illustrative purposes only and form no part of the claimed design.

1 Claim, 2 Drawing Sheets



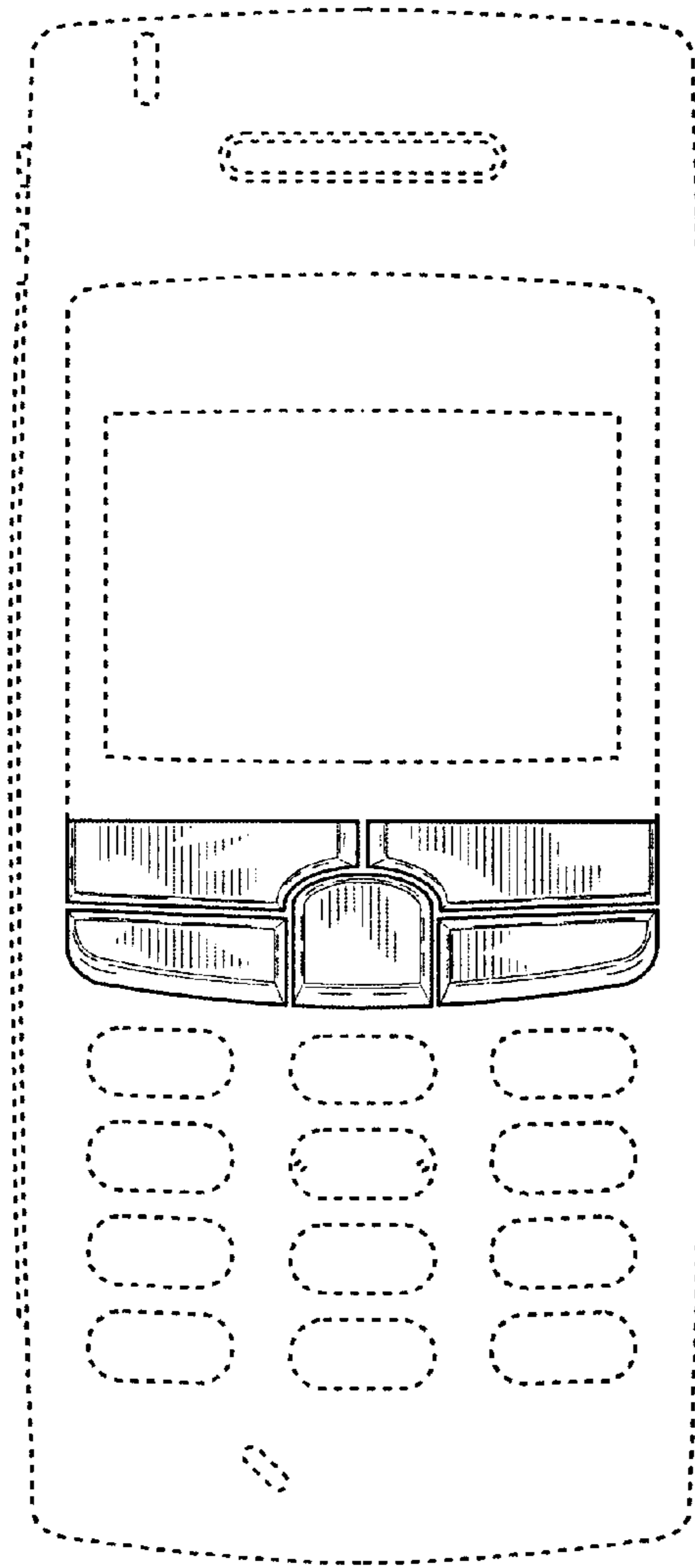


FIGURE 1

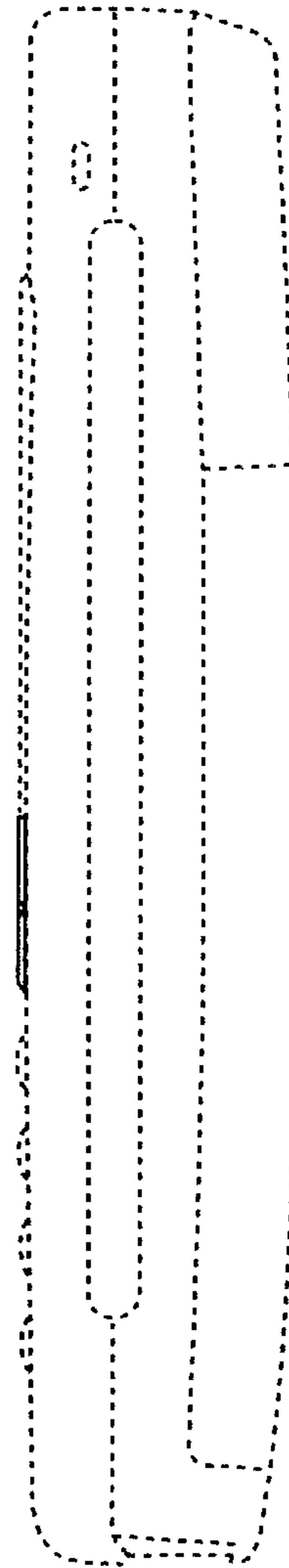


FIGURE 2

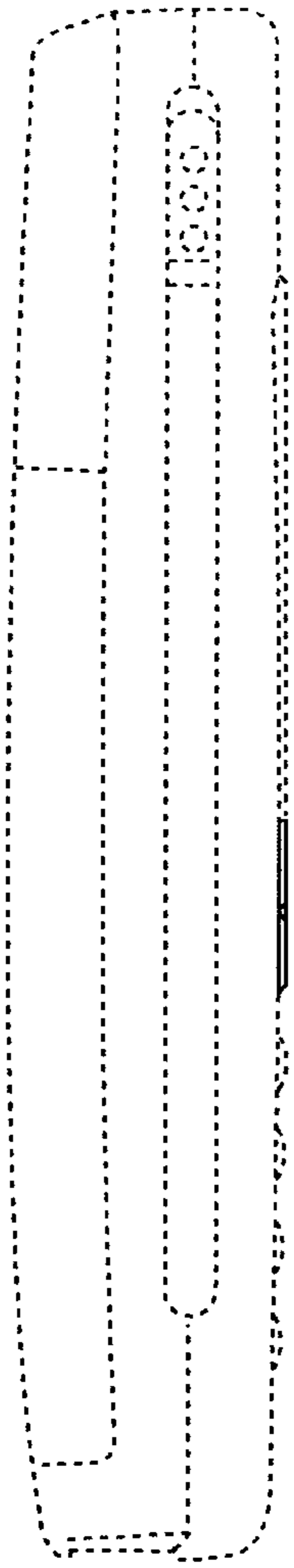


FIGURE 3

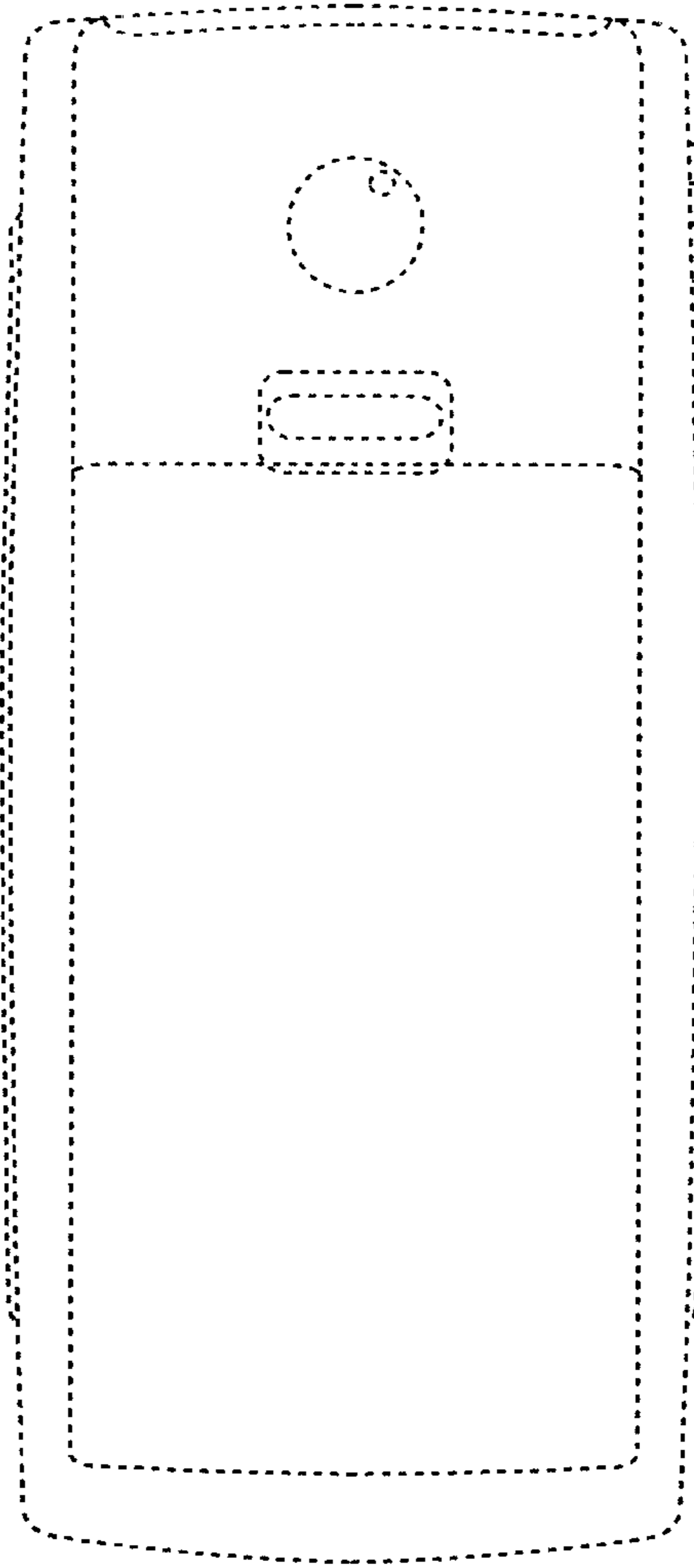


FIGURE 4

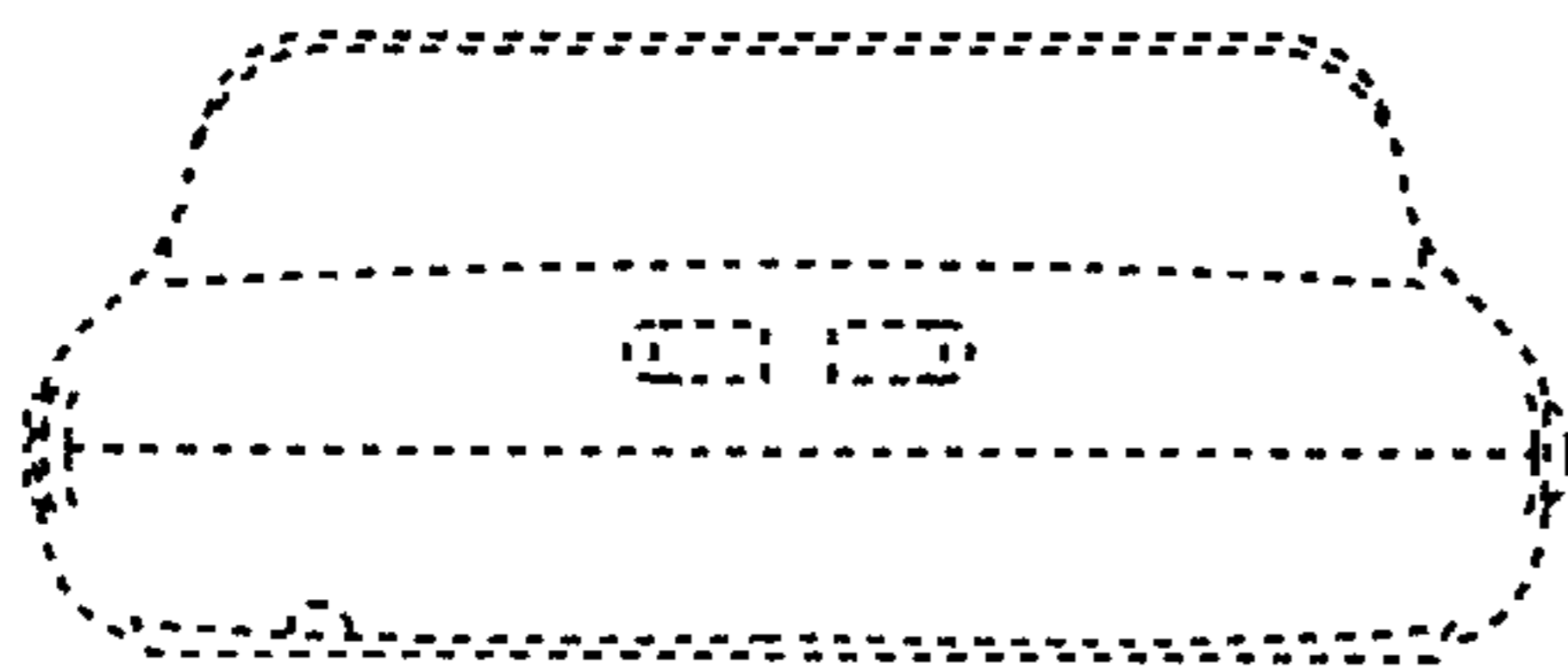


FIGURE 5

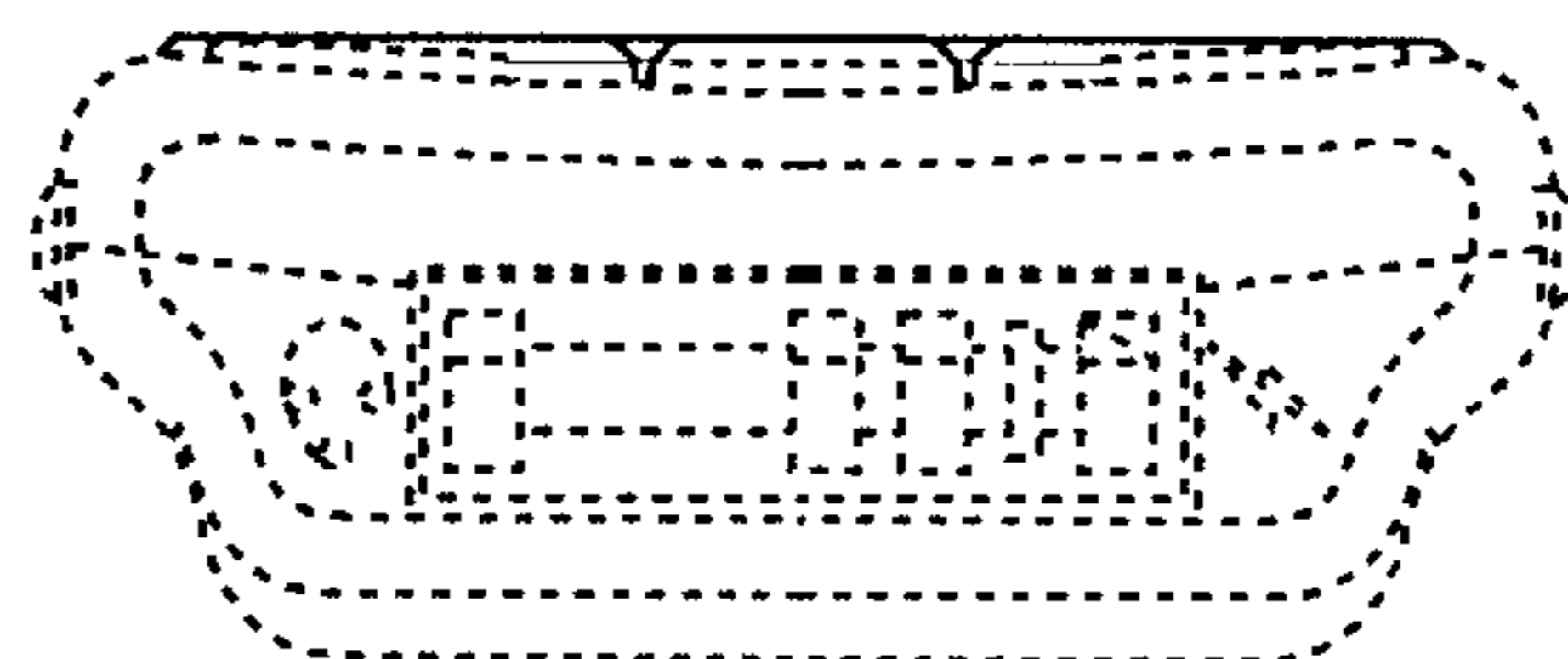


FIGURE 6

UNITED STATES PATENT AND TRADEMARK OFFICE
CERTIFICATE OF CORRECTION

PATENT NO. : Des. 493,451 S
DATED : July 27, 2004
INVENTOR(S) : Wada

Page 1 of 1

It is certified that error appears in the above-identified patent and that said Letters Patent is hereby corrected as shown below:

Title page,

Item [30], **Foreign Application Priority Data**, include the following:

-- June 17, 2002 (Swedish) 02-0934 --

Signed and Sealed this

Ninth Day of November, 2004

A handwritten signature in black ink that reads "Jon W. Dudas". The signature is written in a cursive style with a large, stylized initial "J".

JON W. DUDAS

Director of the United States Patent and Trademark Office