

US00D493448S1

(12) **United States Design Patent**
Charlot, Jr.

(10) **Patent No.:** **US D493,448 S**
(45) **Date of Patent:** **** Jul. 27, 2004**

(54) **ANTENNA WITH ROUND-SHAPED CENTER**

6,271,800 B1 * 8/2001 Nakamura et al. 343/797

(75) **Inventor:** **Lincoln H. Charlot, Jr., St. Petersburg, FL (US)**

* cited by examiner

(73) **Assignee:** **XLINK Enterprises, Inc., Largo, FL (US)**

Primary Examiner—Ian Simmons

Assistant Examiner—Deanne Levy

(**) **Term:** **14 Years**

(74) *Attorney, Agent, or Firm*—Larson & Larson, PA; James E. Larson

(21) **Appl. No.:** **29/188,784**

(57) **CLAIM**

(22) **Filed:** **Aug. 22, 2003**

The ornamental design for an antenna with round-shaped center, as shown and described therein.

(51) **LOC (7) Cl.** **14-03**

(52) **U.S. Cl.** **D14/234**

(58) **Field of Search** D14/230, 299,
D14/232–235; 343/748, 796, 805, 806,
810, 824

DESCRIPTION

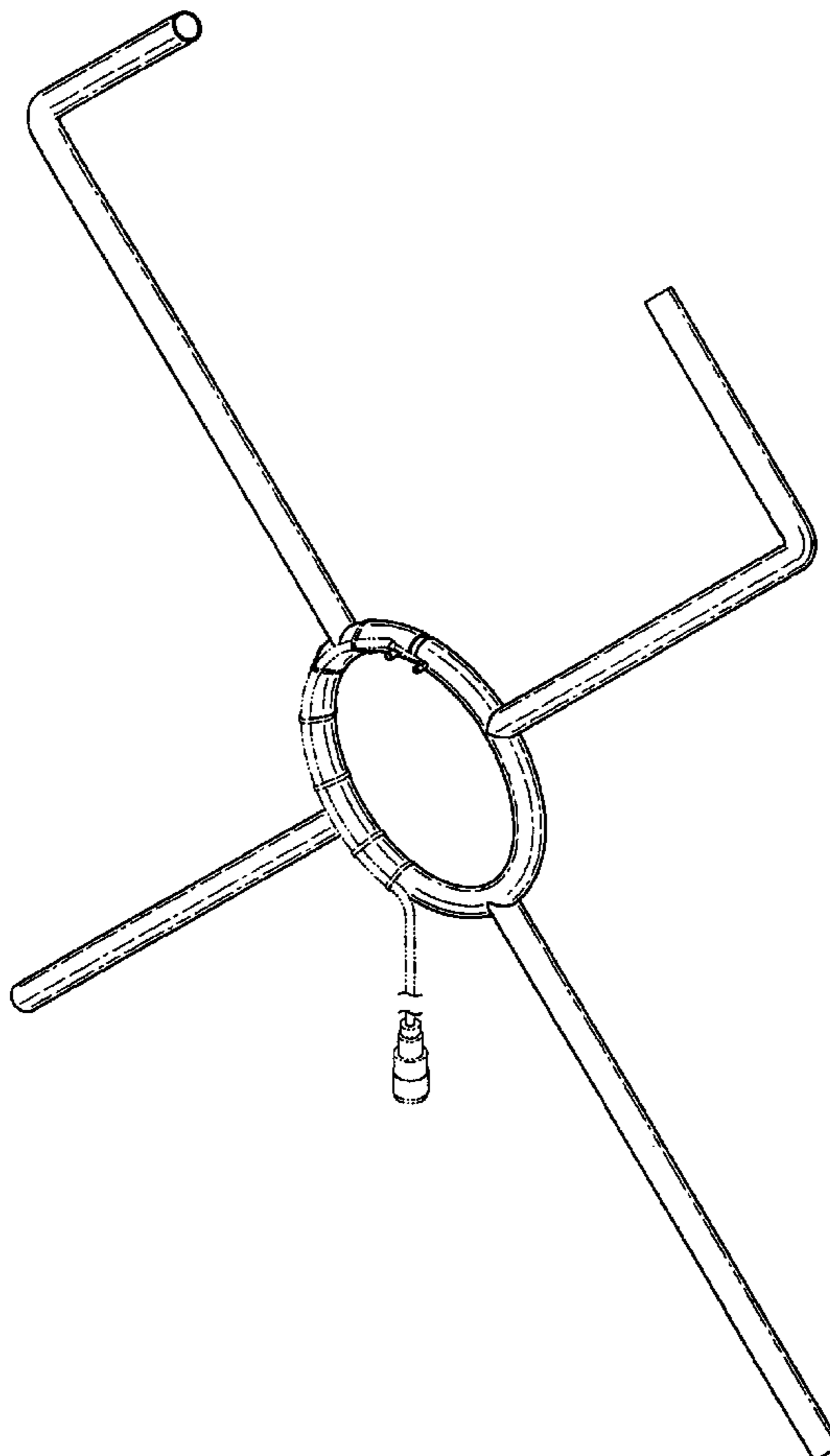
(56) **References Cited**

U.S. PATENT DOCUMENTS

2,657,312 A	*	10/1953	Saranga	343/727
D174,159 S	*	3/1955	Chapman	D14/232
D184,082 S	*	12/1958	Colton	D14/236
D211,793 S	*	7/1968	Silliman	D14/236
D211,794 S	*	7/1968	Silliman	D14/236
D244,470 S	*	5/1977	Bogner	D14/236

FIG. 1 is a front elevational view of an antenna with round-shaped center showing my novel design; FIG. 2 is a rear elevational view thereof; FIG. 3 is a left side view thereof; FIG. 4 is a right side view thereof; FIG. 5 is a top plan view thereof; FIG. 6 is a bottom plan view thereof; and, FIG. 7 is a perspective view of an antenna with round-shaped center of the present invention. The broken lines shown in FIGS. 1 and 7 are for illustrative purposes only and forms no part of the overall claimed design.

1 Claim, 5 Drawing Sheets



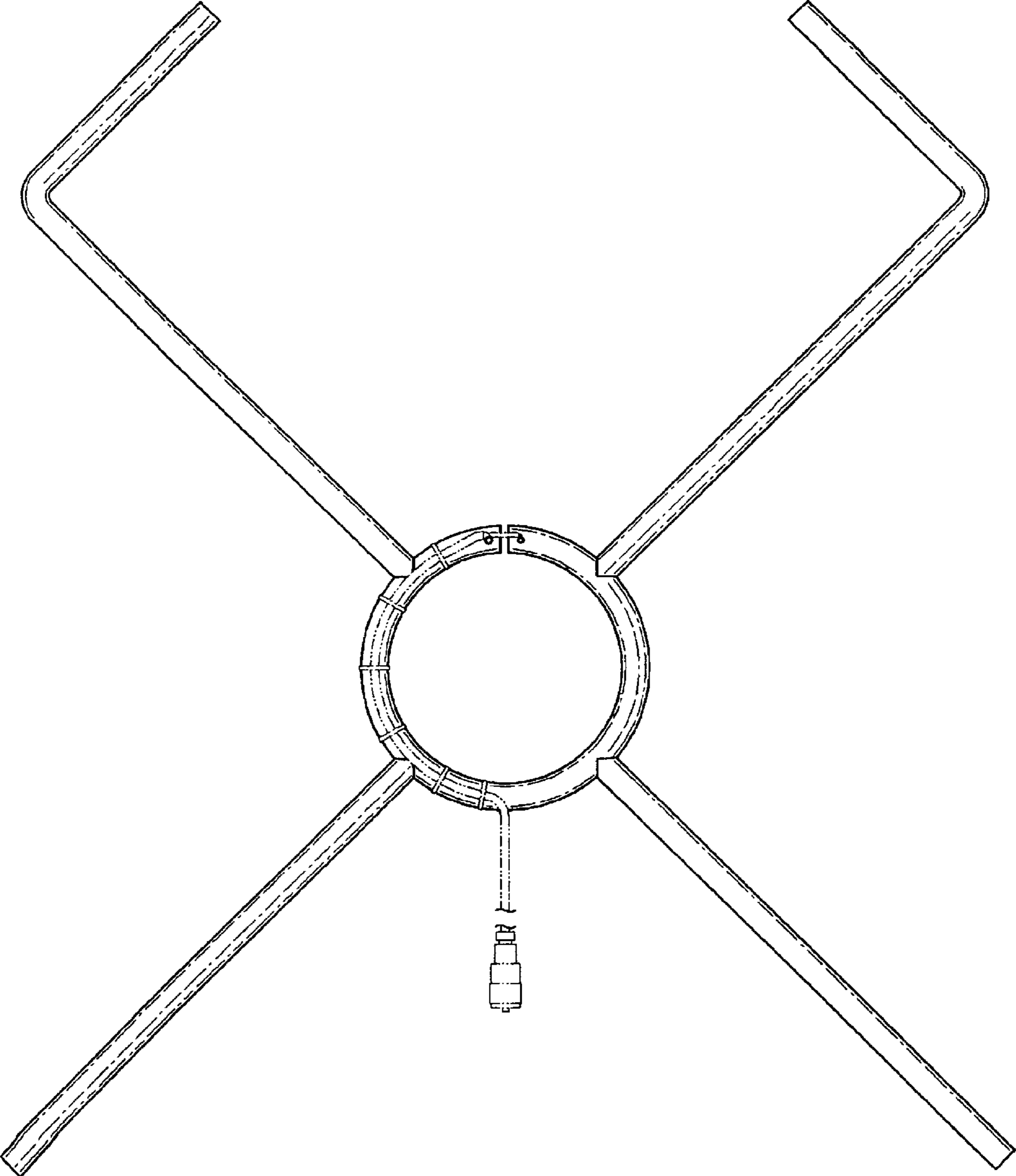


FIG. 1

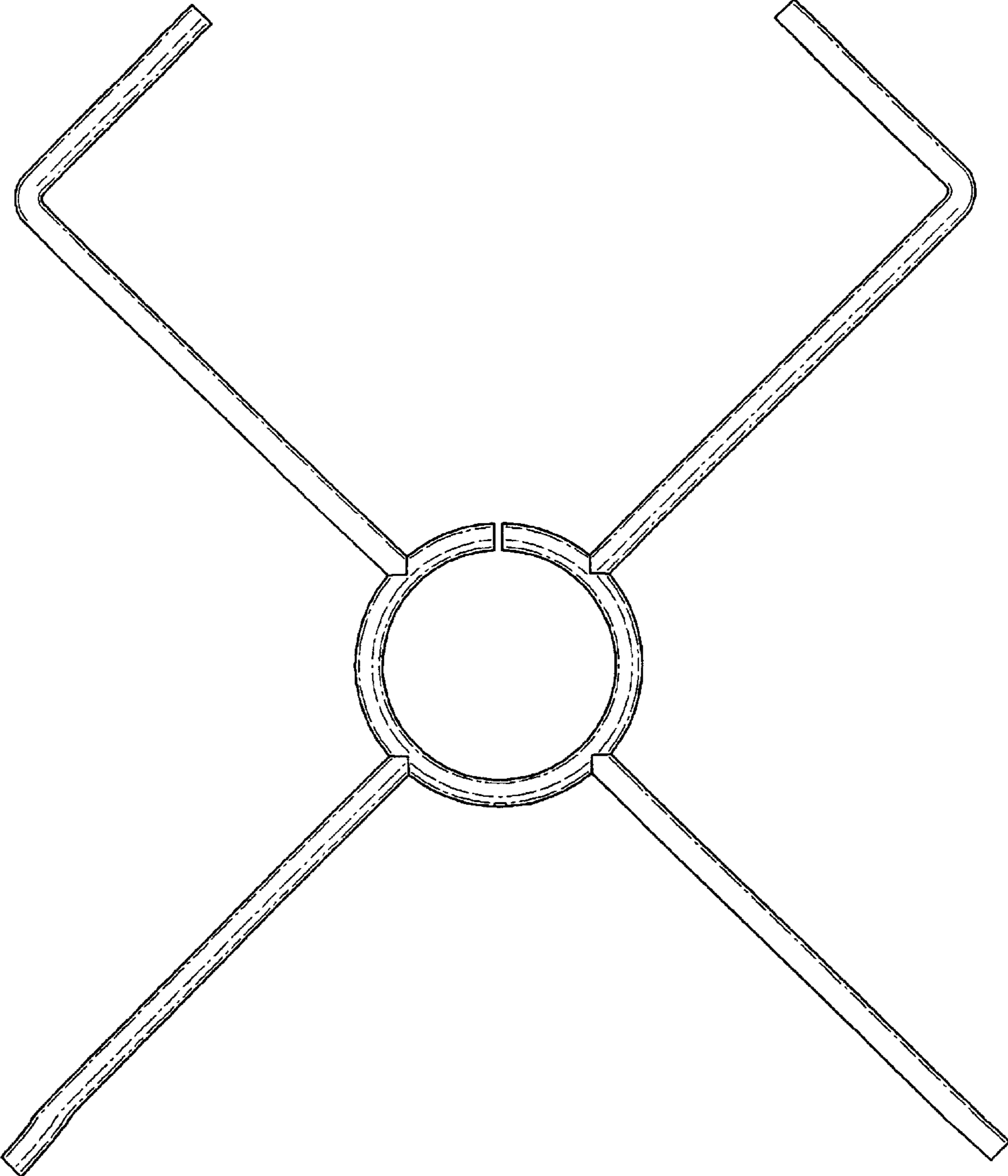


FIG. 2

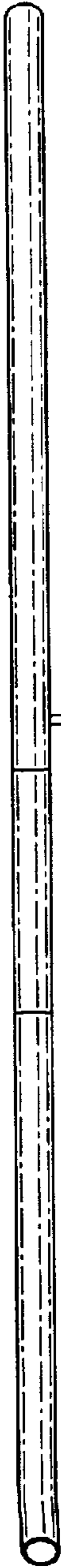


FIG. 3



FIG. 4



FIG. 5



FIG. 6

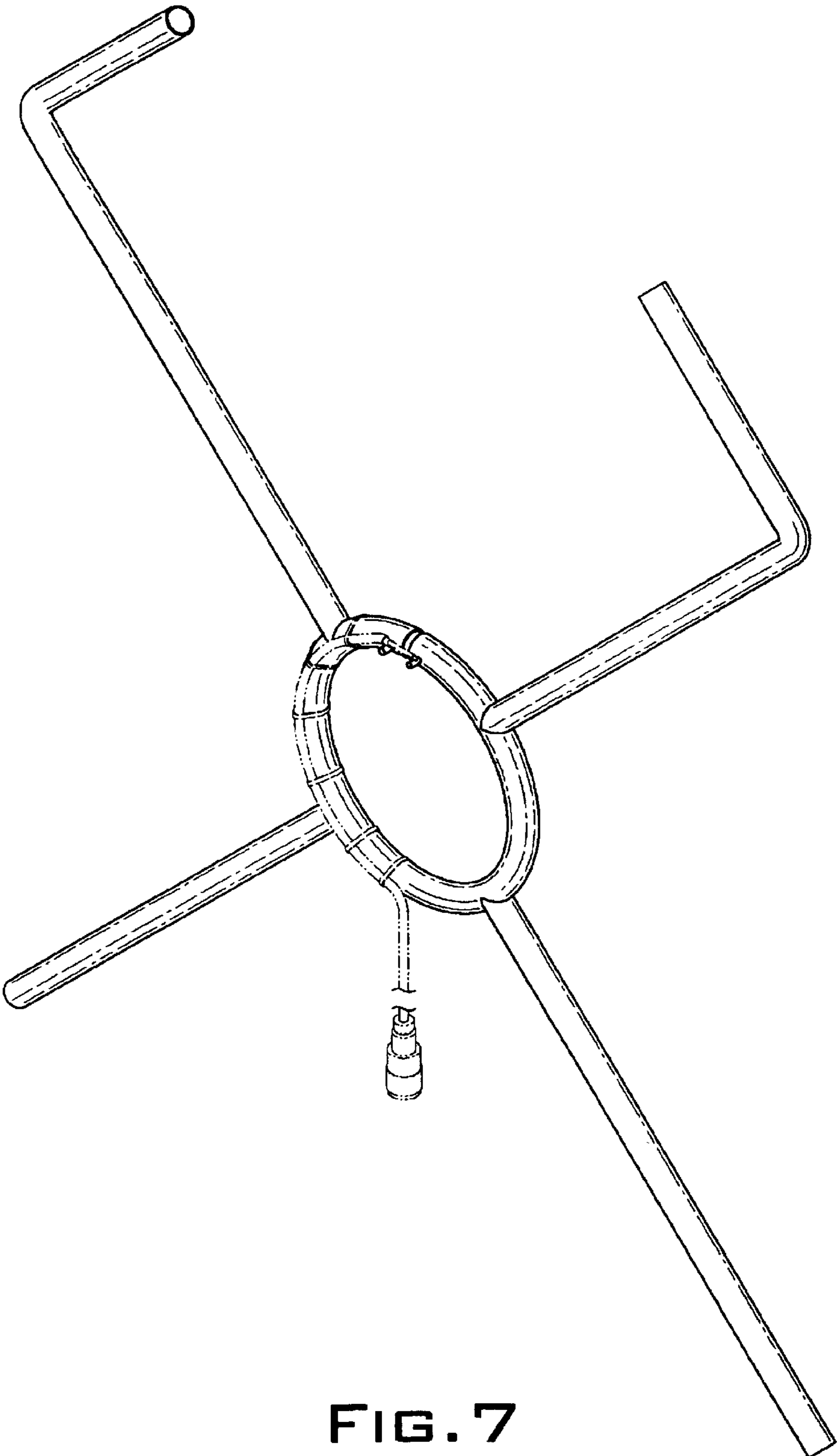


FIG. 7