



US00D493442S1

(12) **United States Design Patent** (10) **Patent No.:** **US D493,442 S**
Sakai (45) **Date of Patent:** **** Jul. 27, 2004**

(54) **DISC PLAYER**

(75) Inventor: **Wakaba Sakai**, Tokyo (JP)

(73) Assignee: **Sony Corporation**, Tokyo (JP)

(**) Term: **14 Years**

(21) Appl. No.: **29/185,667**

(22) Filed: **Jul. 2, 2003**

(51) **LOC (7) Cl.** **14-01**

(52) **U.S. Cl.** **D14/156**

(58) **Field of Search** D14/135-136,
D14/156, 157, 160-165, 167-168, 192-198,
217; 455/347-351; 369/75.1, 75.2, 77.1,
77.2

(56) **References Cited**

U.S. PATENT DOCUMENTS

D372,475 S	*	8/1996	Shudo	D14/163
D427,578 S		7/2000	Kanatani		
D431,543 S		10/2000	Yuyama		
D448,012 S	*	9/2001	Matsuoka	D14/156
D455,141 S		4/2002	Kobayashi		
D467,905 S	*	12/2002	Takagi	D14/217

OTHER PUBLICATIONS

Web page "Sony eCatalog" <http://www.ecat.sony.co.jp/audio/walkman/products/index.cfm?PD=2177&KM=MZ-...>, 1 sheet, Sony (Mar. 2003).

Web page "XM-ZX3-D" <http://www8.yodobashi.com/enjoy/i.jsp?oid=5063362>, 1 sheet, Yodobashi Camera (Mar. 2003).

Web page "MD-ST800-H" <http://www8.yodobashi.com/enjoy/i.jsp?oid=3606554>, 1 sheet, Yodobashi Camera (Mar. 2003).

Web page "IM-MT880-S" <http://www8.yodobashi.com/enjoy/i.jsp?oid=1880943>, 1 sheet, Yodobashi Camera (Mar. 2003).

* cited by examiner

Primary Examiner—Nanda Bondade

(74) *Attorney, Agent, or Firm*—Rader, Fishman & Grauer PLLC

(57) **CLAIM**

The ornamental design for a disc player, as shown and described.

DESCRIPTION

FIG. 1 is a perspective view of a disc player showing my new design;

FIG. 2 is a front elevational view thereof;

FIG. 3 is a left side elevational view thereof;

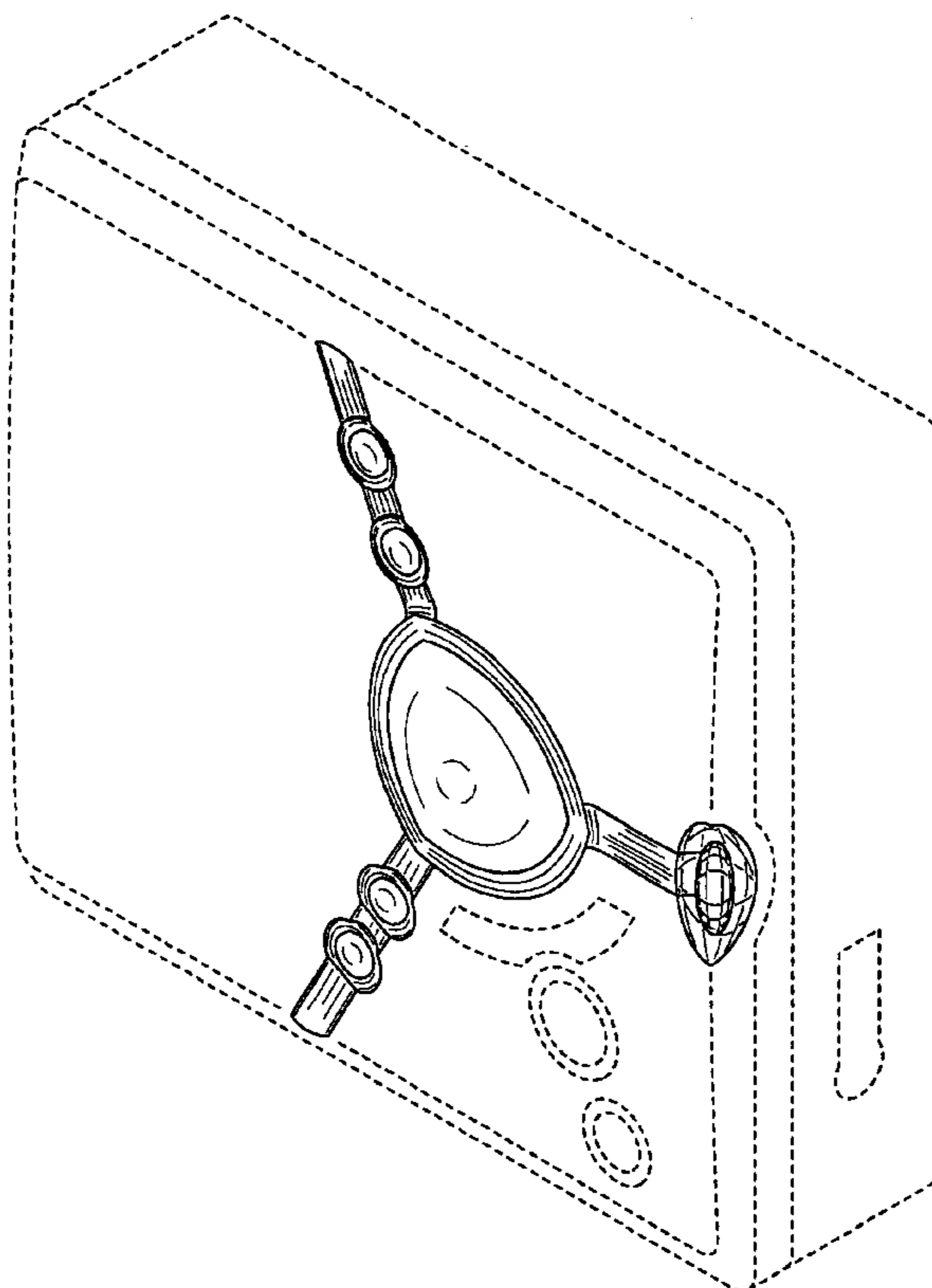
FIG. 4 is a right side elevational view thereof;

FIG. 5 is a top plan view thereof; and,

FIG. 6 is a bottom plan view thereof.

The broken lines in FIGS. 1-6 are included for purpose of illustrating environmental structure only and form no part of the claimed design.

1 Claim, 4 Drawing Sheets



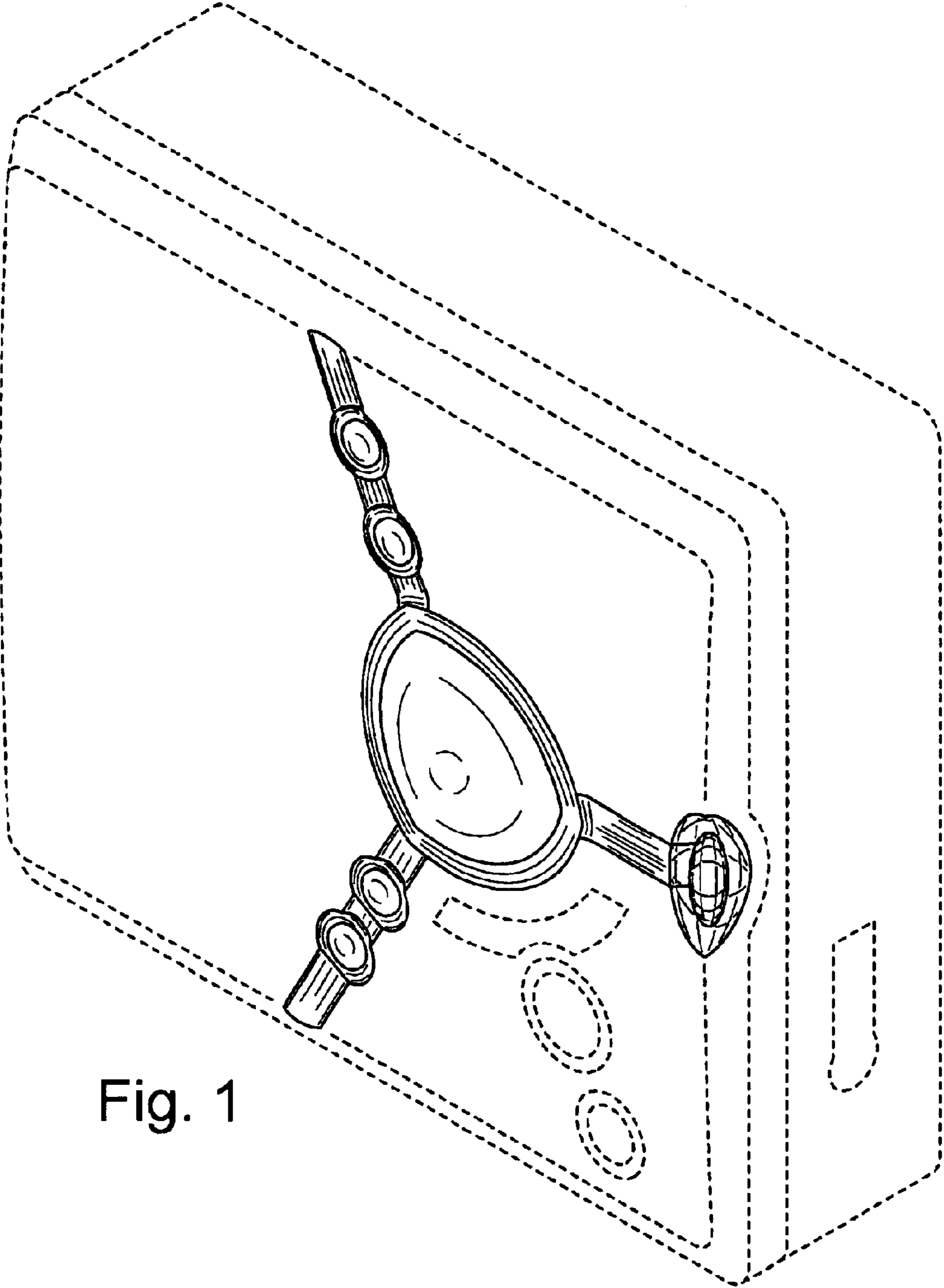


Fig. 1

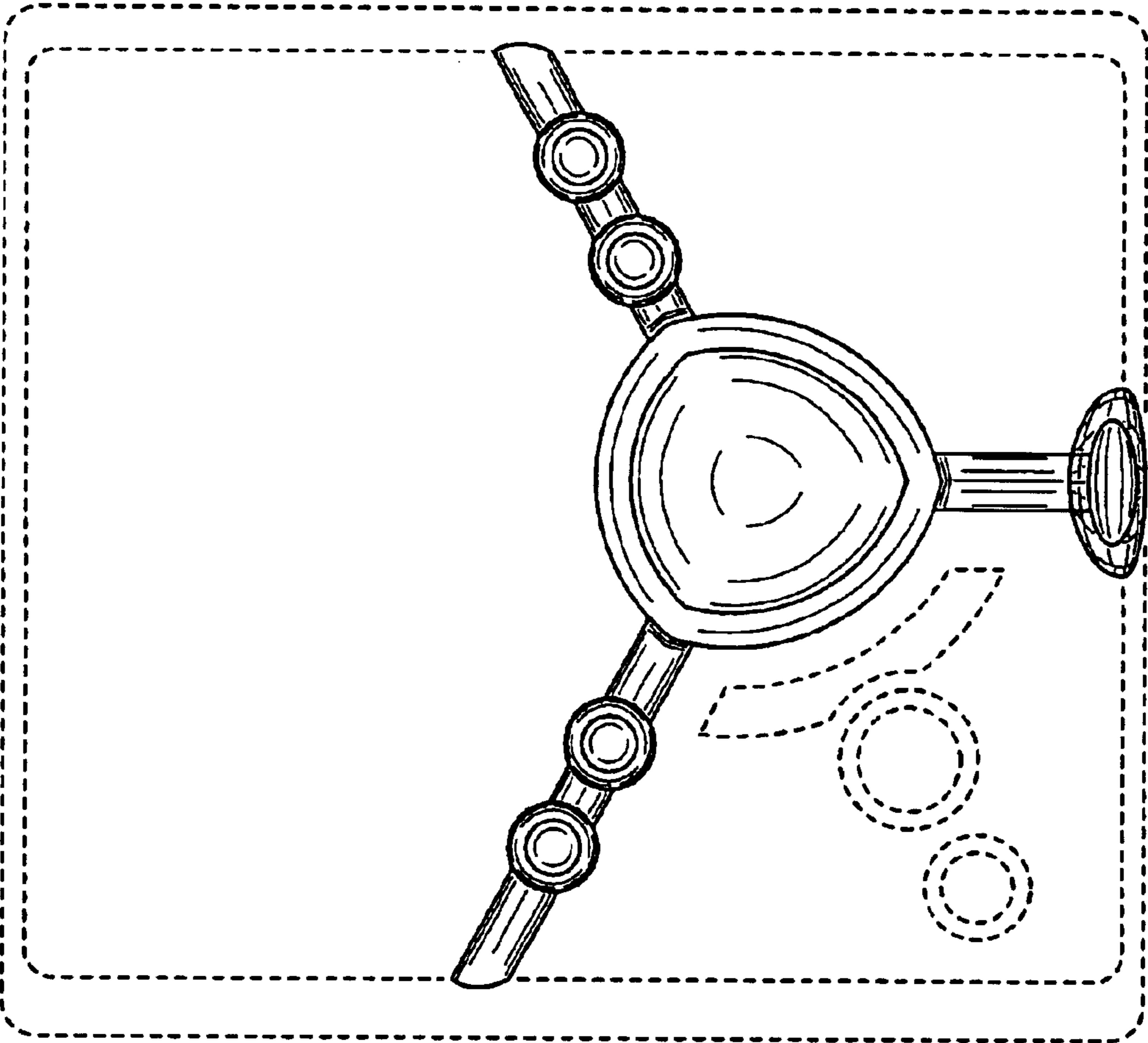


Fig. 2

Fig. 3

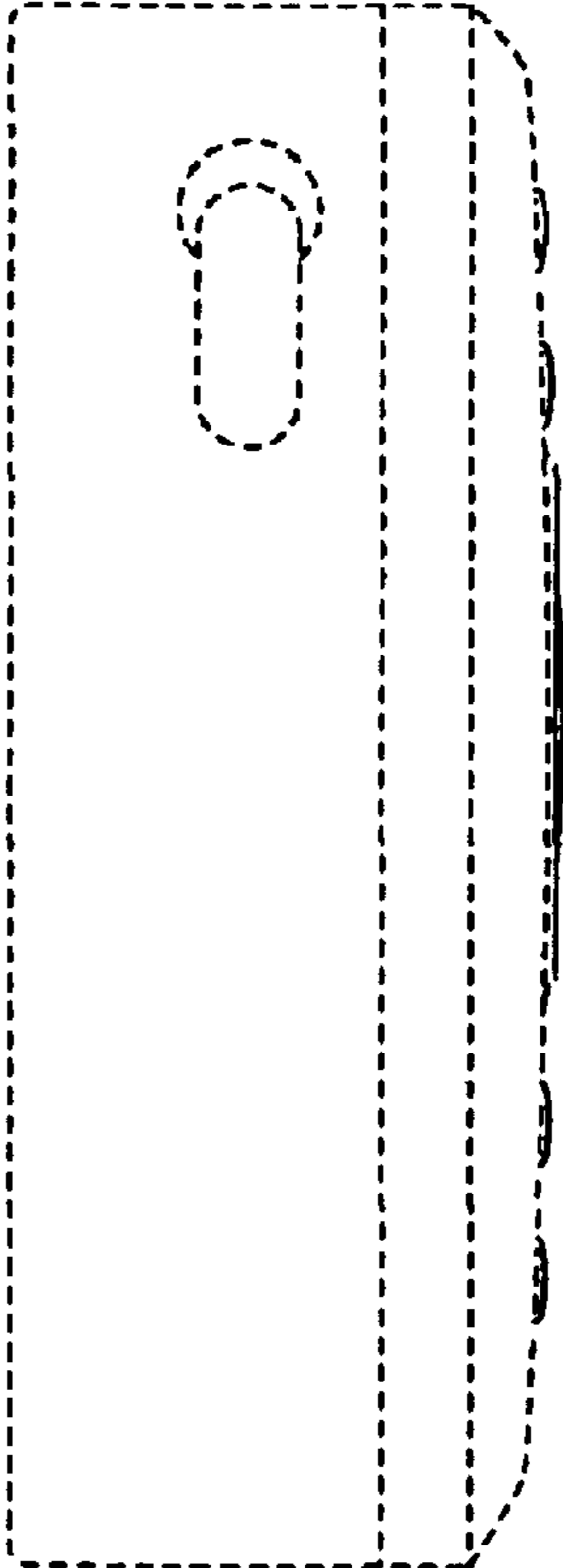
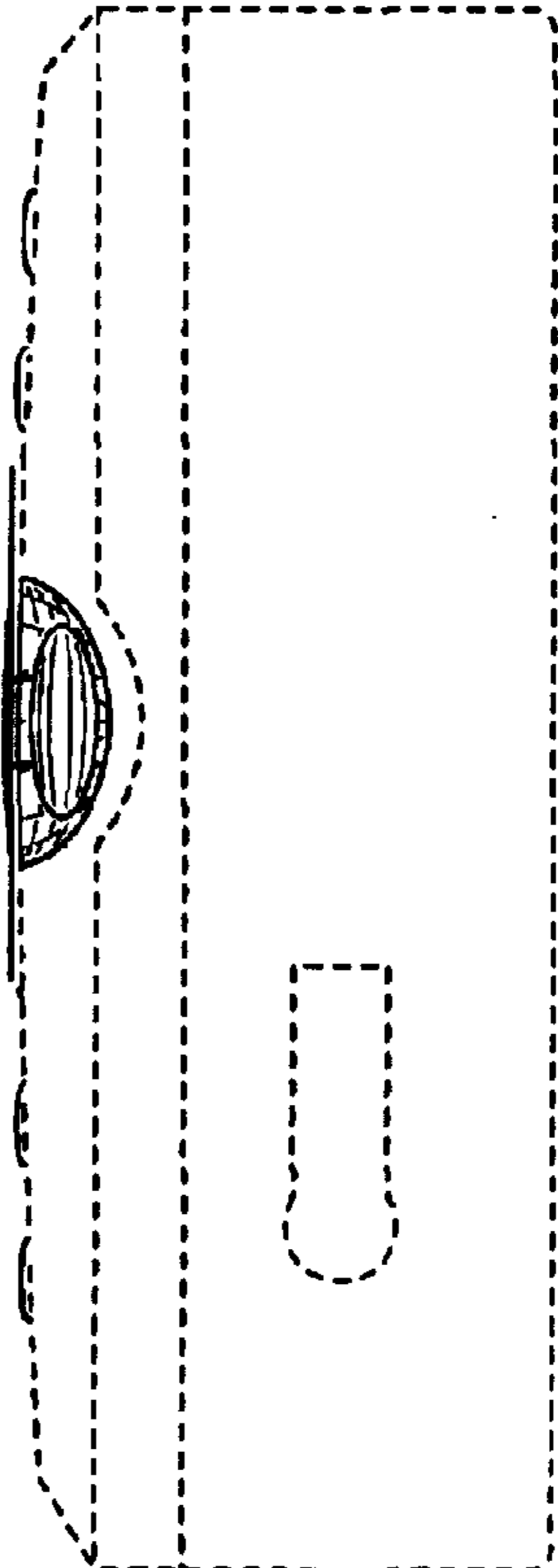


Fig. 4



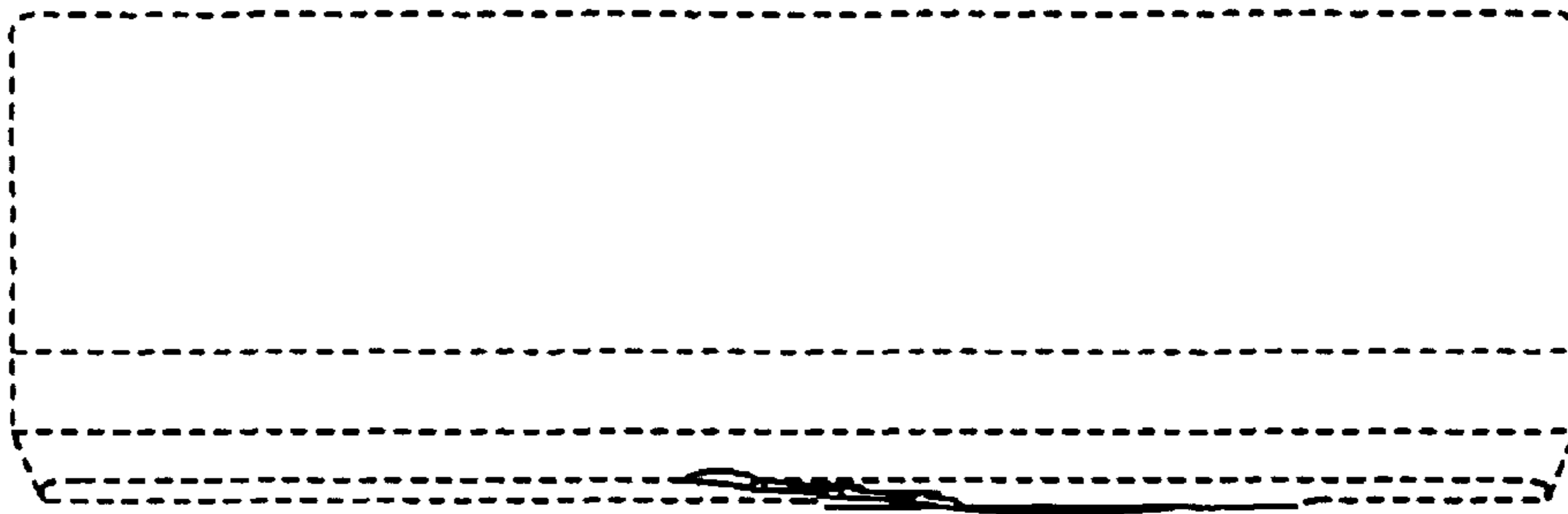


Fig. 5

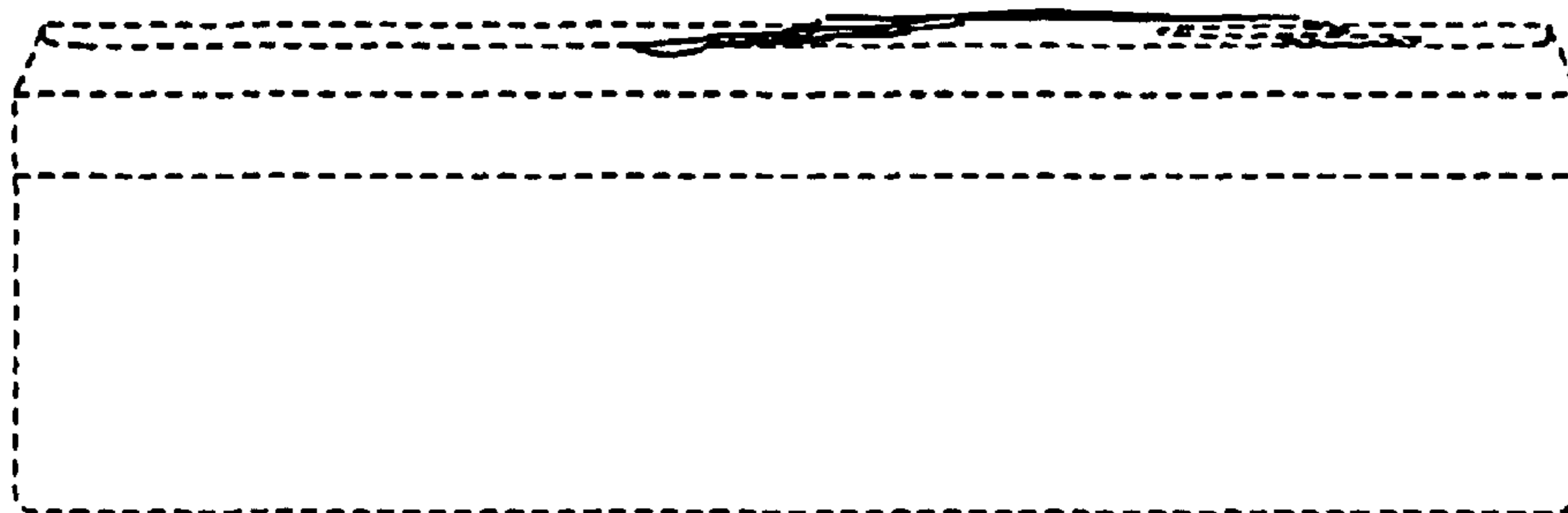


Fig. 6