

US00D493440S1

(12) **United States Design Patent**  
**Chou et al.**

(10) **Patent No.: US D493,440 S**  
(45) **Date of Patent: \*\* Jul. 27, 2004**

(54) **CAMERA MOBILE PHONE**

(75) Inventors: **Ju Chou, T.E.P.E. (TW); Robert Michael McKay, Westlake Village (AU)**

(73) Assignee: **Asia Optical Co., Inc., T.E.P.E. (TW)**

(\*\*) Term: **14 Years**

(21) Appl. No.: **29/195,000**

(22) Filed: **Dec. 3, 2003**

(51) **LOC (7) Cl. .... 14-03**

(52) **U.S. Cl. .... D14/138**

(58) **Field of Search** ..... D14/137, 138,  
D14/218, 147-148, 247-248, 144, 341-347;  
379/433.01-433.13, 419, 434, 428.01-428.04,  
420.01-420.04, 440; 455/550.1-90.3; D21/517;  
D13/168; D18/2, 7; 345/168, 169

(56) **References Cited**

**U.S. PATENT DOCUMENTS**

D447,128 S	*	8/2001	Lee et al. ....	D14/138
D454,550 S	*	3/2002	Hayasaka et al. ....	D14/138
D459,326 S	*	6/2002	Nagai et al. ....	D14/138
D459,329 S	*	6/2002	Suzuki et al. ....	D14/138
D464,032 S	*	10/2002	Hayasaka et al. ....	D14/138
D469,070 S	*	1/2003	Lee .....	D14/138
D477,293 S	*	7/2003	Hwang .....	D14/138
D477,294 S	*	7/2003	Ikeda et al. ....	D14/138
D477,581 S	*	7/2003	Iijima et al. ....	D14/138
D485,248 S	*	1/2004	Ogawa .....	D14/138

D485,249 S	*	1/2004	Liao et al. ....	D14/138
D485,818 S	*	1/2004	Yabe et al. ....	D14/138
2003/0030624 A1	*	2/2003	Aoyama .....	345/168

**FOREIGN PATENT DOCUMENTS**

JP	1158252 S	*	11/2002
JP	1167658 S	*	3/2003
JP	1185434 S	*	9/2003

\* cited by examiner

*Primary Examiner*—Jeffrey Asch

(74) *Attorney, Agent, or Firm*—Dellett & Walters

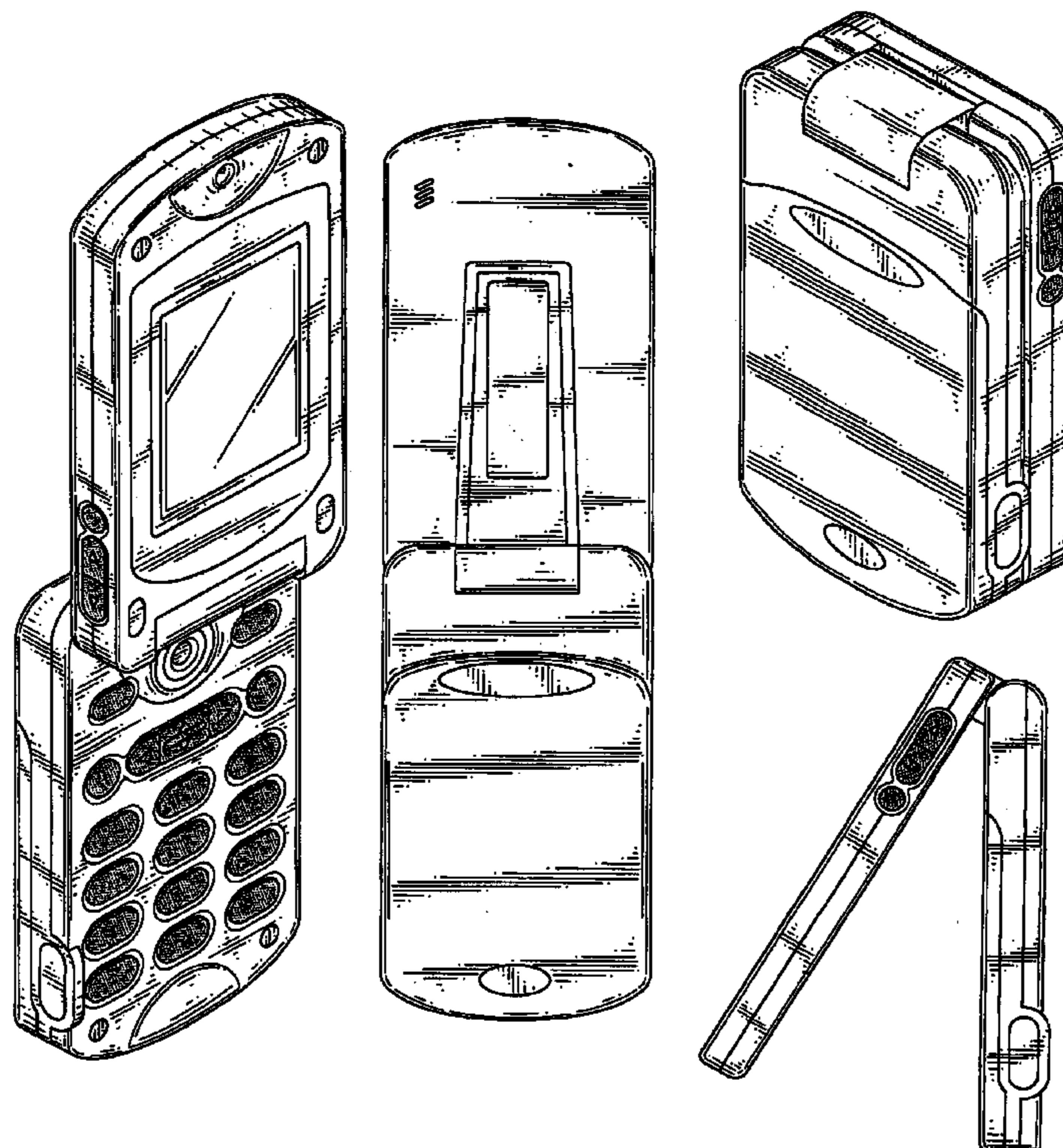
(57) **CLAIM**

The ornamental design for a camera mobile phone, as shown and described.

**DESCRIPTION**

FIG. 1 is a perspective view of a camera mobile phone, showing our new design;  
FIG. 2 is a front elevational view thereof;  
FIG. 3 is a rear elevational view thereof;  
FIG. 4 is a left side elevational view thereof;  
FIG. 5 is a right side elevational view thereof;  
FIG. 6 is a top plan view thereof;  
FIG. 7 is a bottom plan view thereof;  
FIG. 8 is an alternative perspective view of the camera mobile phone when the camera cell phone is folded; and,  
FIG. 9 is an operational left side plan view thereof, showing an operation of opening the claimed design, wherein the rear cover has been rotated around to the front.

**1 Claim, 6 Drawing Sheets**



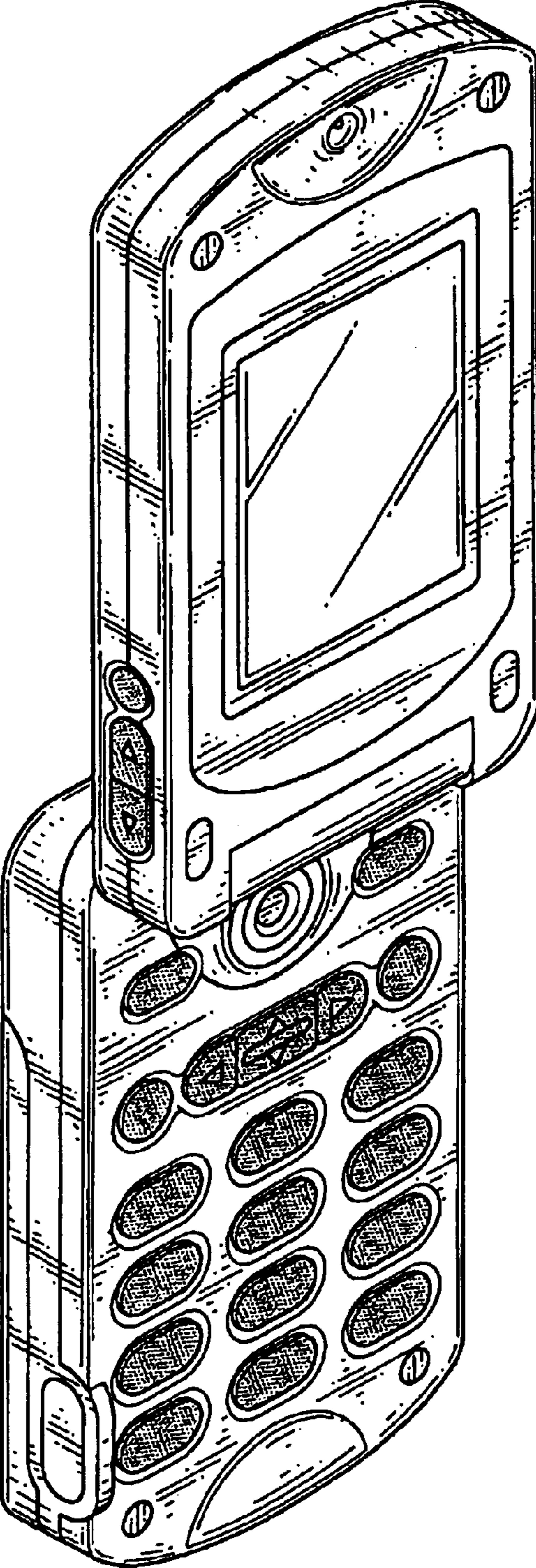


FIG. 1

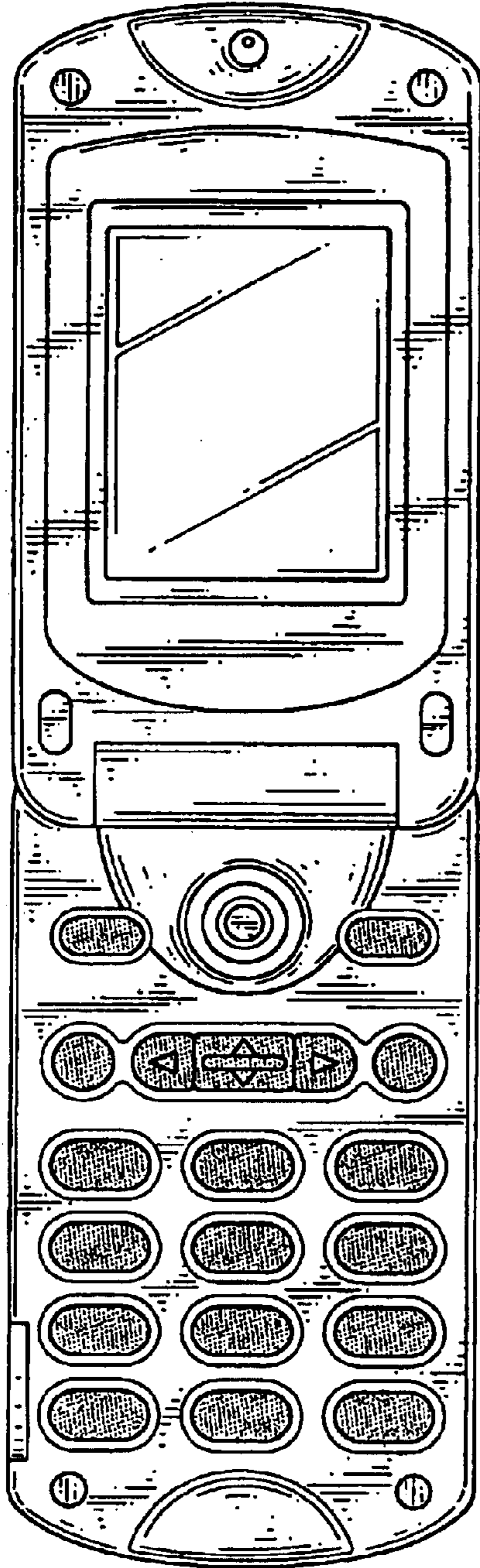


FIG. 2

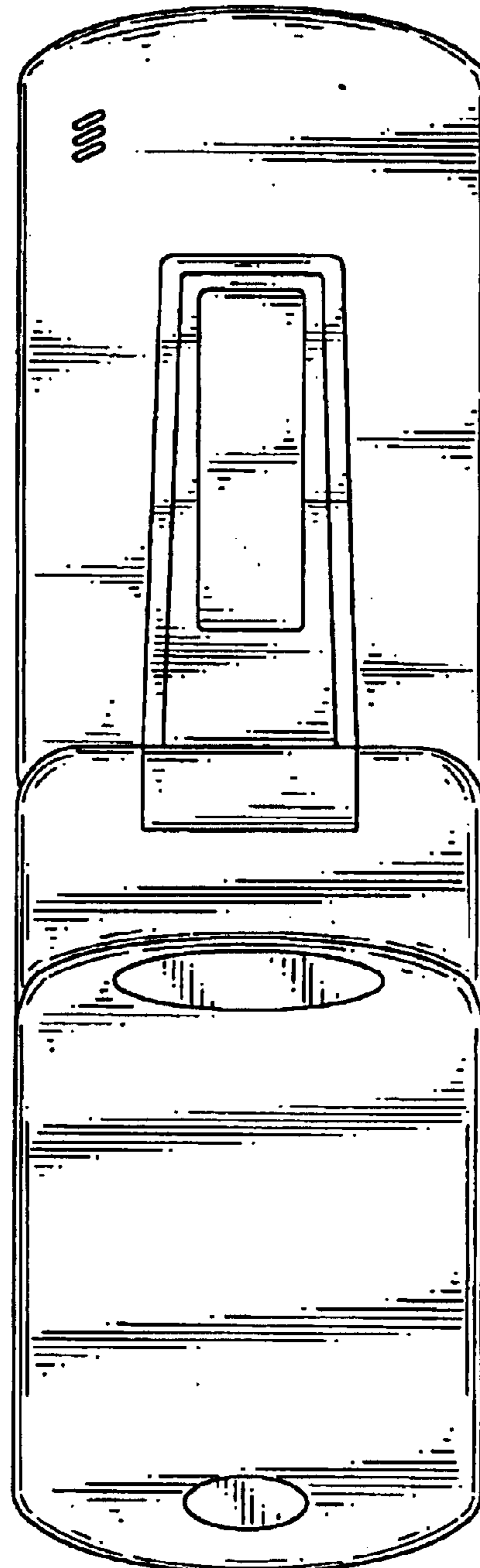


FIG. 3

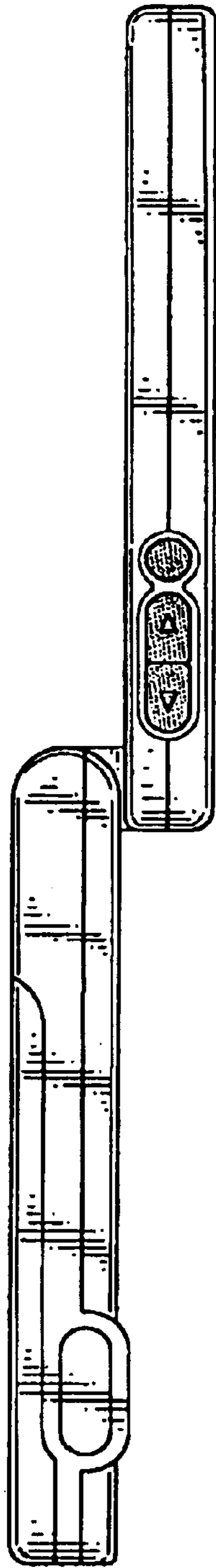


FIG. 4

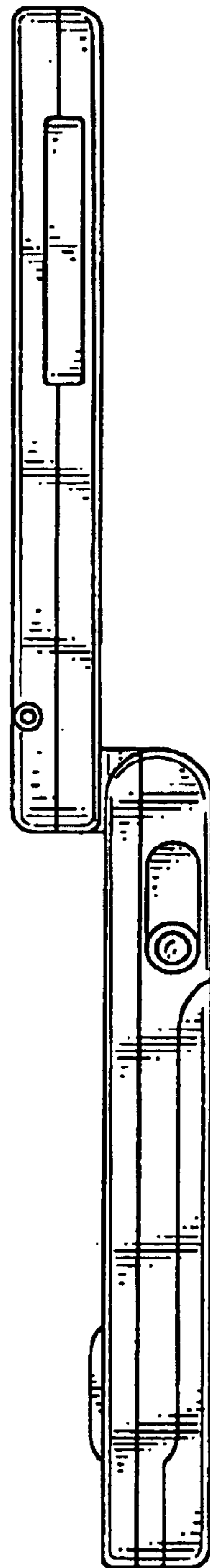


FIG. 5

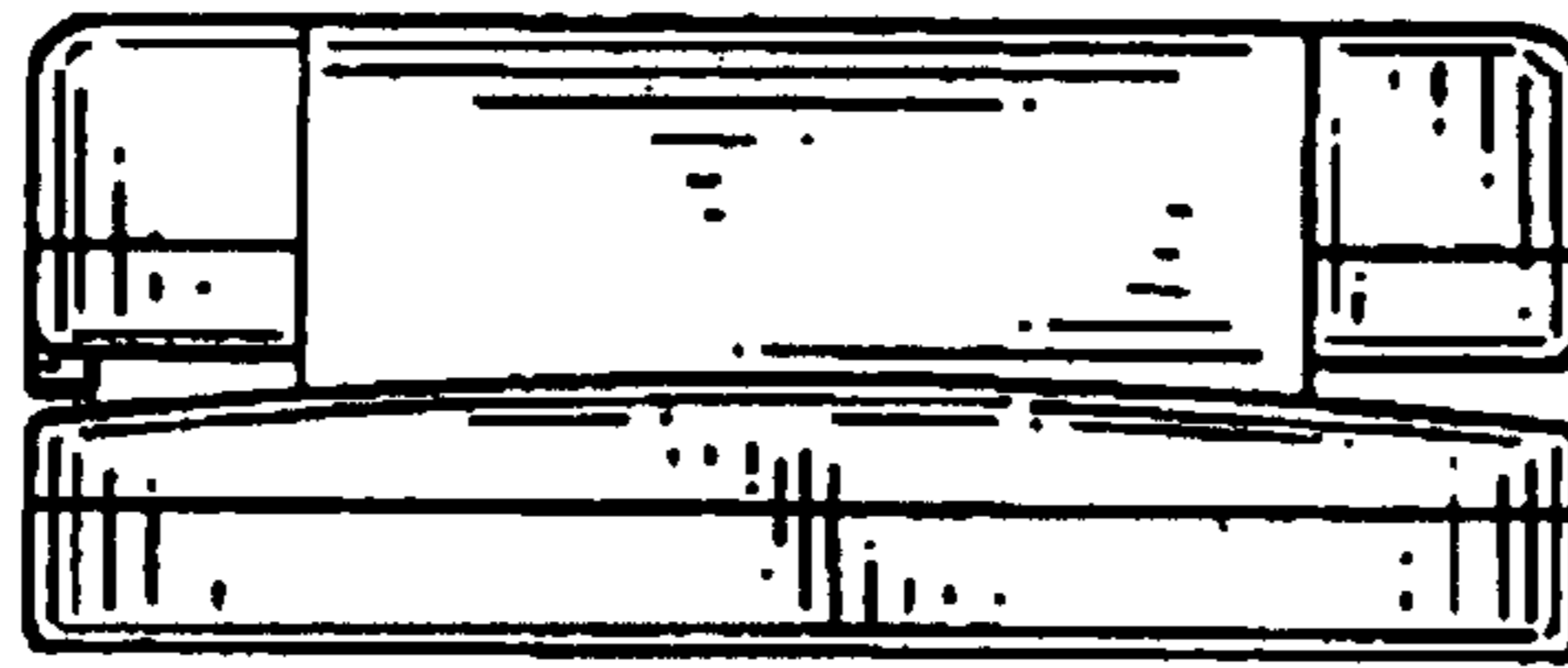


FIG. 6

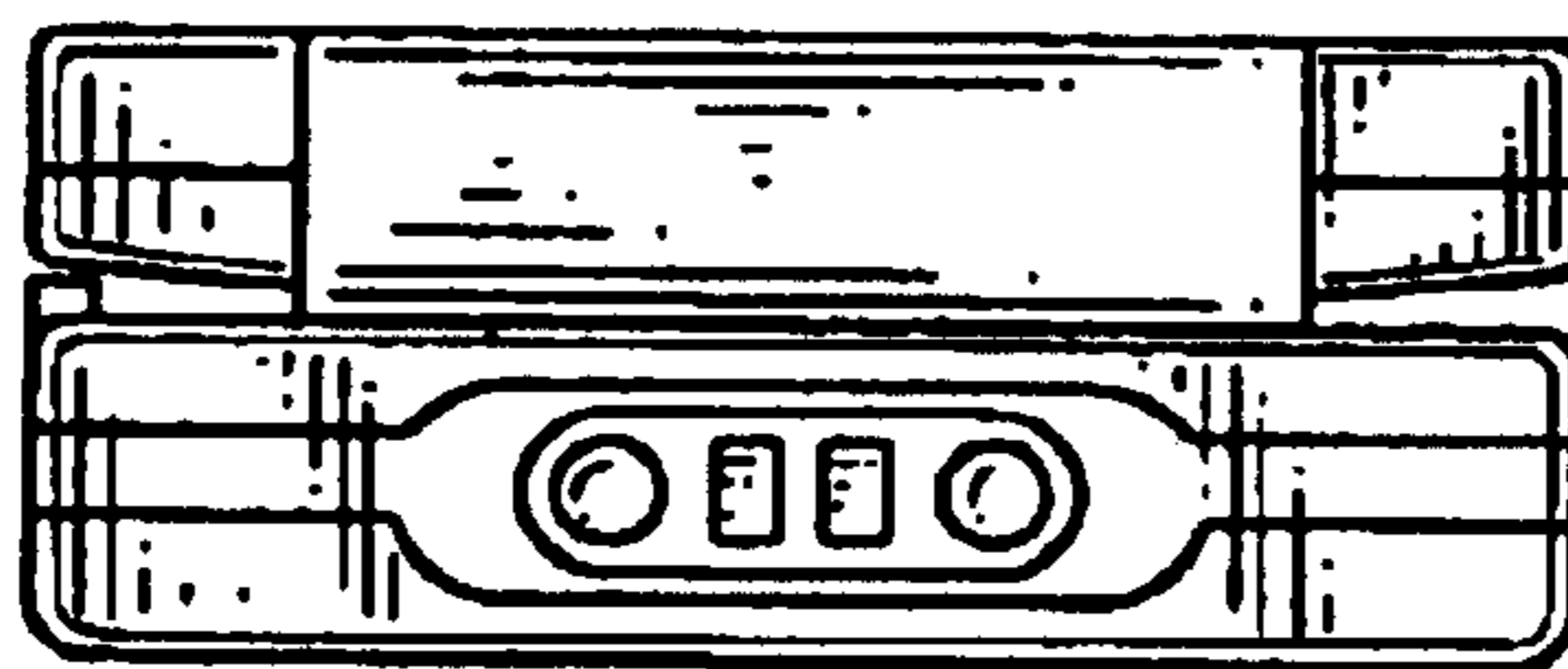


FIG. 7

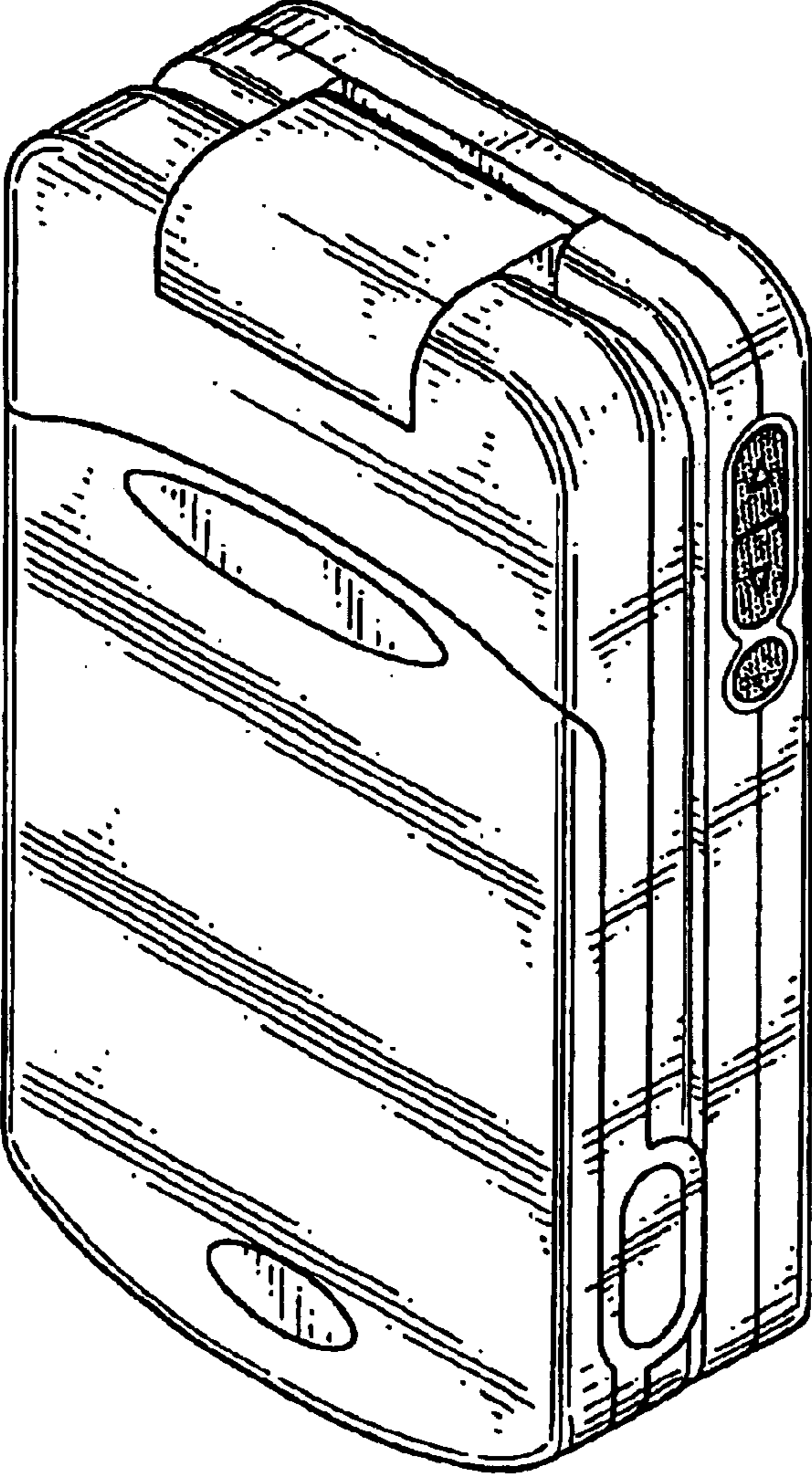


FIG.8

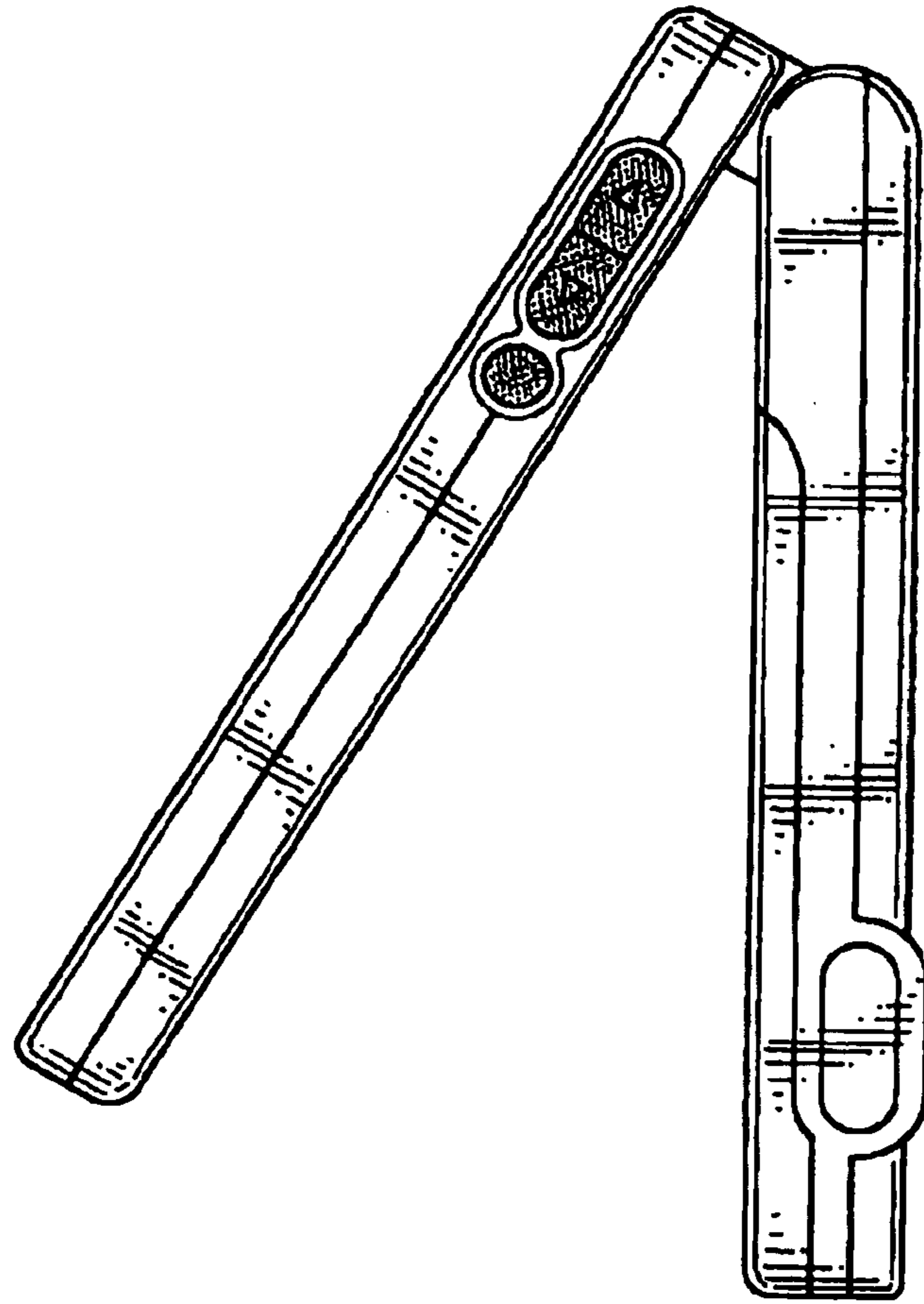


FIG.9