

US00D493439S1

(12) **United States Design Patent**  
**Hong et al.**

(10) **Patent No.:** **US D493,439 S**  
(45) **Date of Patent:** **\*\* Jul. 27, 2004**

(54) **MOBILE PHONE**

(75) Inventors: **Fu-Long Hong**, Taipei (TW);  
**Yung-Hau Su**, Taipei (TW);  
**Chun-Hsiung Yin**, Tainan (TW)

(73) Assignee: **BENQ Corporation**, Taoyuan Shien  
(TW)

(\*\*) Term: **14 Years**

(21) Appl. No.: **29/193,775**

(22) Filed: **Nov. 14, 2003**

(30) **Foreign Application Priority Data**

Jun. 11, 2003 (TW) ..... 92303622

(51) **LOC (7) Cl.** ..... **14-03**

(52) **U.S. Cl.** ..... **D14/138**

(58) **Field of Search** ..... D14/137, 138,  
D14/218, 147-148, 247-248, 144, 341-347;  
379/433.01-433.13, 419, 434, 428.01-428.04,  
420.01-420.04, 440; 455/550.1-90.3; D21/517;  
D13/168; D18/2, 7; 345/168, 169

(56) **References Cited**

**U.S. PATENT DOCUMENTS**

D434,402 S	*	11/2000	Lee	.....	D14/138
D440,955 S	*	4/2001	Tanaka et al.	.....	D14/138
D443,866 S	*	6/2001	Arbisi et al.	.....	D14/138
D450,046 S	*	11/2001	Chun	.....	D14/138
D454,550 S	*	3/2002	Hayasaka et al.	.....	D14/138
6,396,924 B1	*	5/2002	Suso et al.	.....	379/433.13
D458,913 S	*	6/2002	Suzuki et al.	.....	D14/138
D459,326 S	*	6/2002	Nagai et al.	.....	D14/138
D465,467 S	*	11/2002	Nagai et al.	.....	D14/138
D468,283 S	*	1/2003	Hong et al.	.....	D14/138
D468,736 S	*	1/2003	Loh et al.	.....	D14/345
D469,070 S	*	1/2003	Lee	.....	D14/138
D474,168 S	*	5/2003	Wang et al.	.....	D14/138
D481,695 S	*	11/2003	Sinclair	.....	D14/138
D481,697 S	*	11/2003	Rausch et al.	.....	D14/138
D481,714 S	*	11/2003	Sinclair	.....	D14/247
D481,715 S	*	11/2003	Sinclair	.....	D14/247

D482,027 S	*	11/2003	Sinclair	.....	D14/248
D482,352 S	*	11/2003	Sinclair	.....	D14/247
D483,342 S	*	12/2003	Lee et al.	.....	D14/138
D484,478 S	*	12/2003	Kota et al.	.....	D14/138
2002/0187818 A1	*	12/2002	Kang	.....	455/575
2003/0109232 A1	*	6/2003	Park et al.	.....	455/90
2003/0125079 A1	*	7/2003	Park et al.	.....	455/556

\* cited by examiner

*Primary Examiner*—Jeffrey Asch

(74) *Attorney, Agent, or Firm*—Rabin & Berdo, P.C.

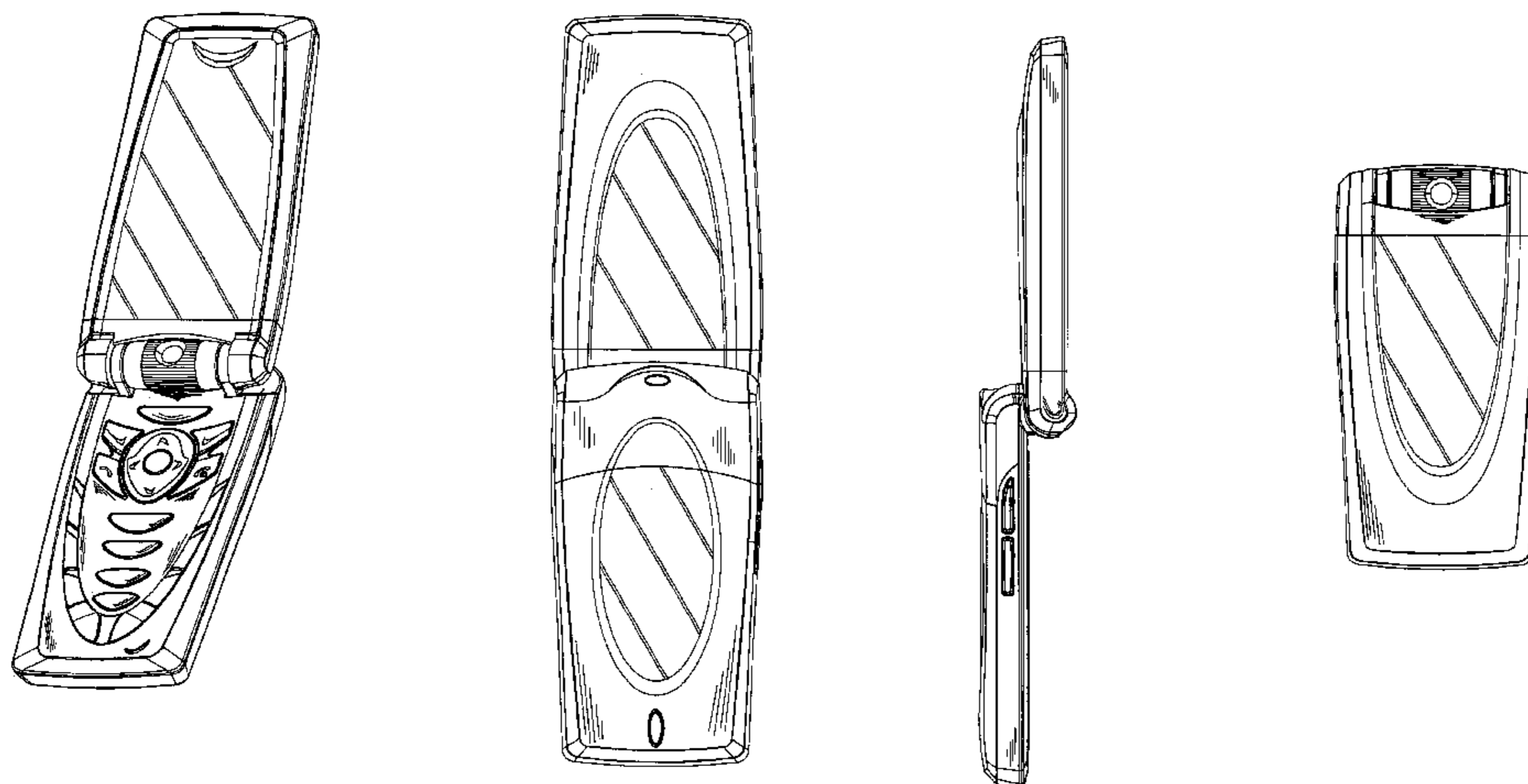
(57) **CLAIM**

The ornamental design for a mobile phone, as shown and described.

**DESCRIPTION**

FIG. 1 is a perspective view of the front, bottom and right side of a mobile phone showing our new design;  
 FIG. 2 is a front elevational view thereof;  
 FIG. 3 is a left side elevational view thereof;  
 FIG. 4 is a right side elevational view thereof;  
 FIG. 5 is a top plan view thereof;  
 FIG. 6 is a bottom plan view thereof;  
 FIG. 7 is a rear elevational view thereof;  
 FIG. 8 is a perspective view of the front, bottom and left side thereof;  
 FIG. 9 is a perspective view of the rear, top and right side thereof;  
 FIG. 10 is a front elevational view thereof with the cover in the closed position;  
 FIG. 11 is a left side elevational view thereof with the cover in the closed position;  
 FIG. 12 is a right side elevational view thereof with the cover in the closed position;  
 FIG. 13 is a top plan view thereof with the cover in the closed position;  
 FIG. 14 is a bottom plan view thereof with the cover in the closed position; and,  
 FIG. 15 is a rear elevational view thereof with the cover in the closed position.

**1 Claim, 15 Drawing Sheets**



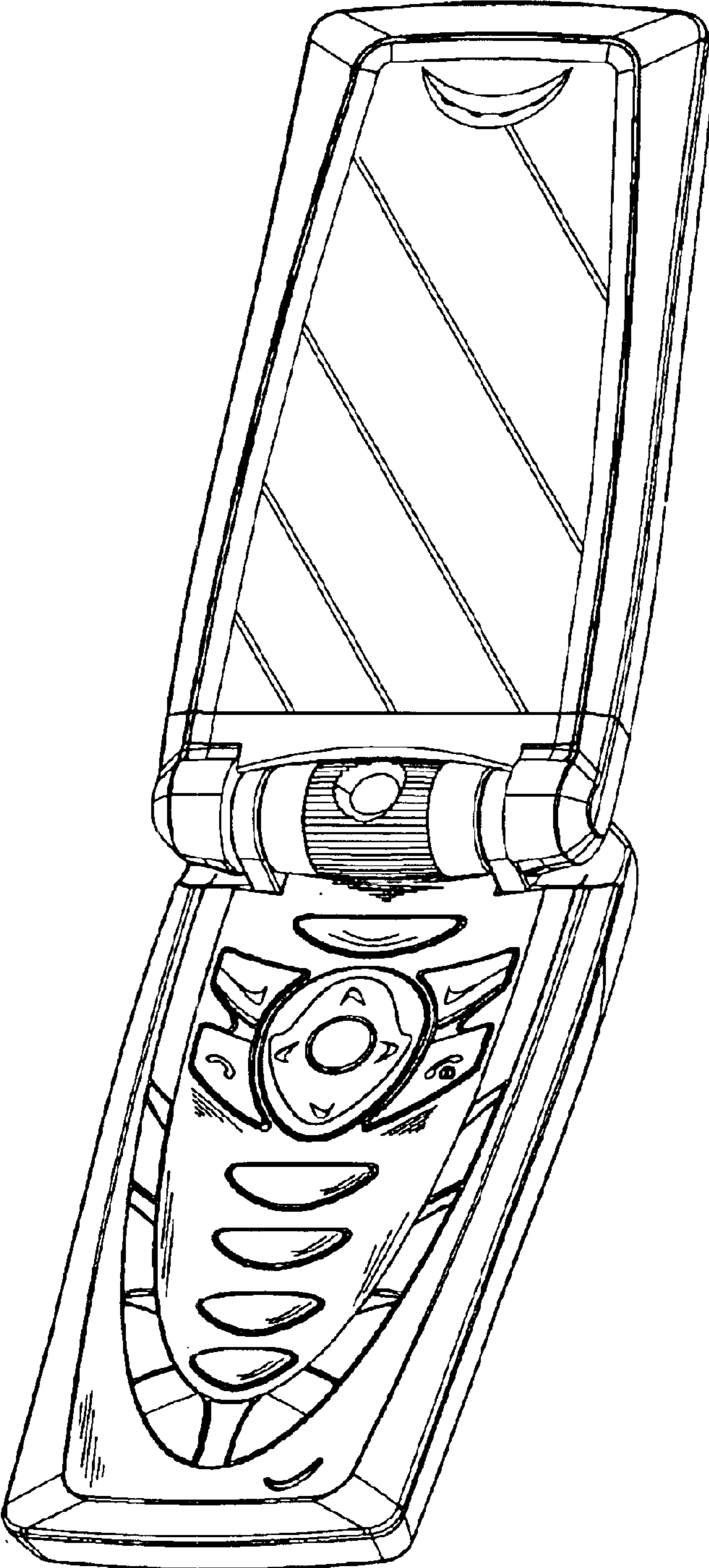


FIG. 1

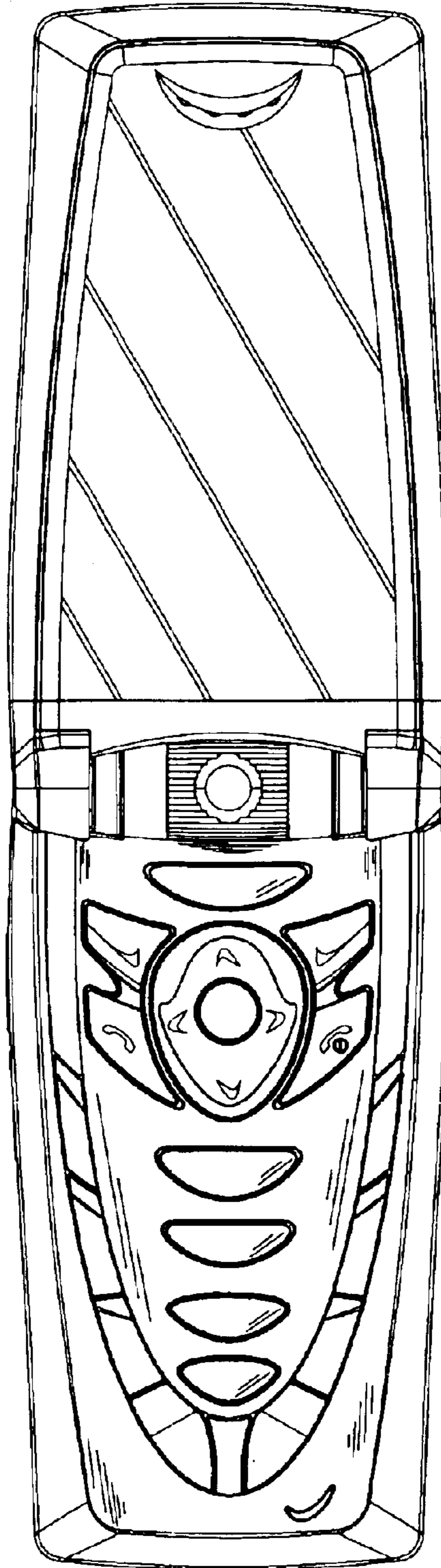


FIG. 2

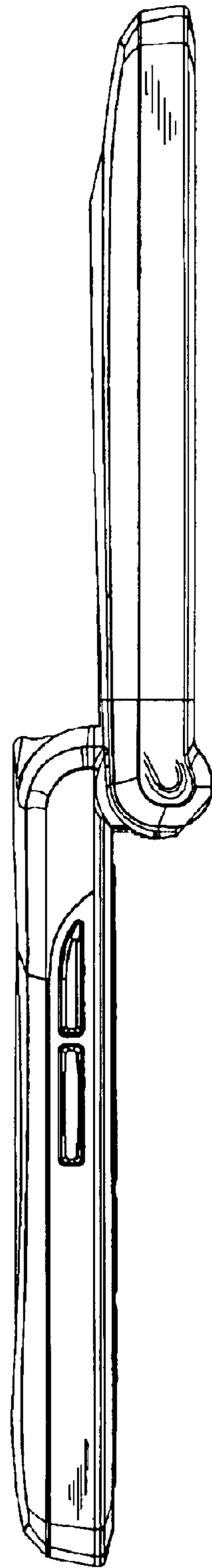


FIG. 3

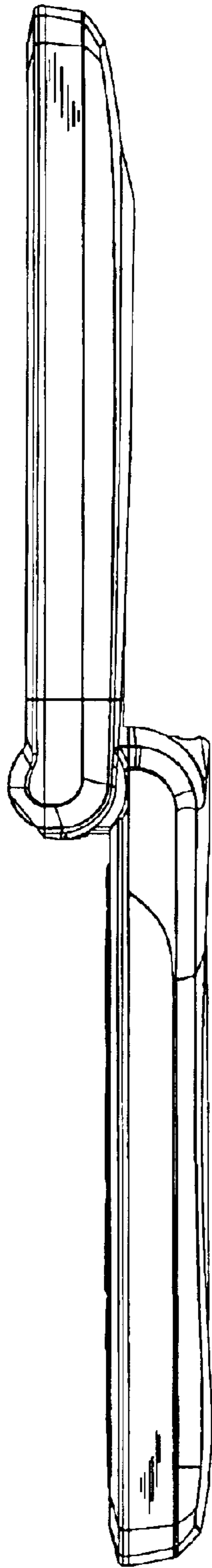


FIG. 4

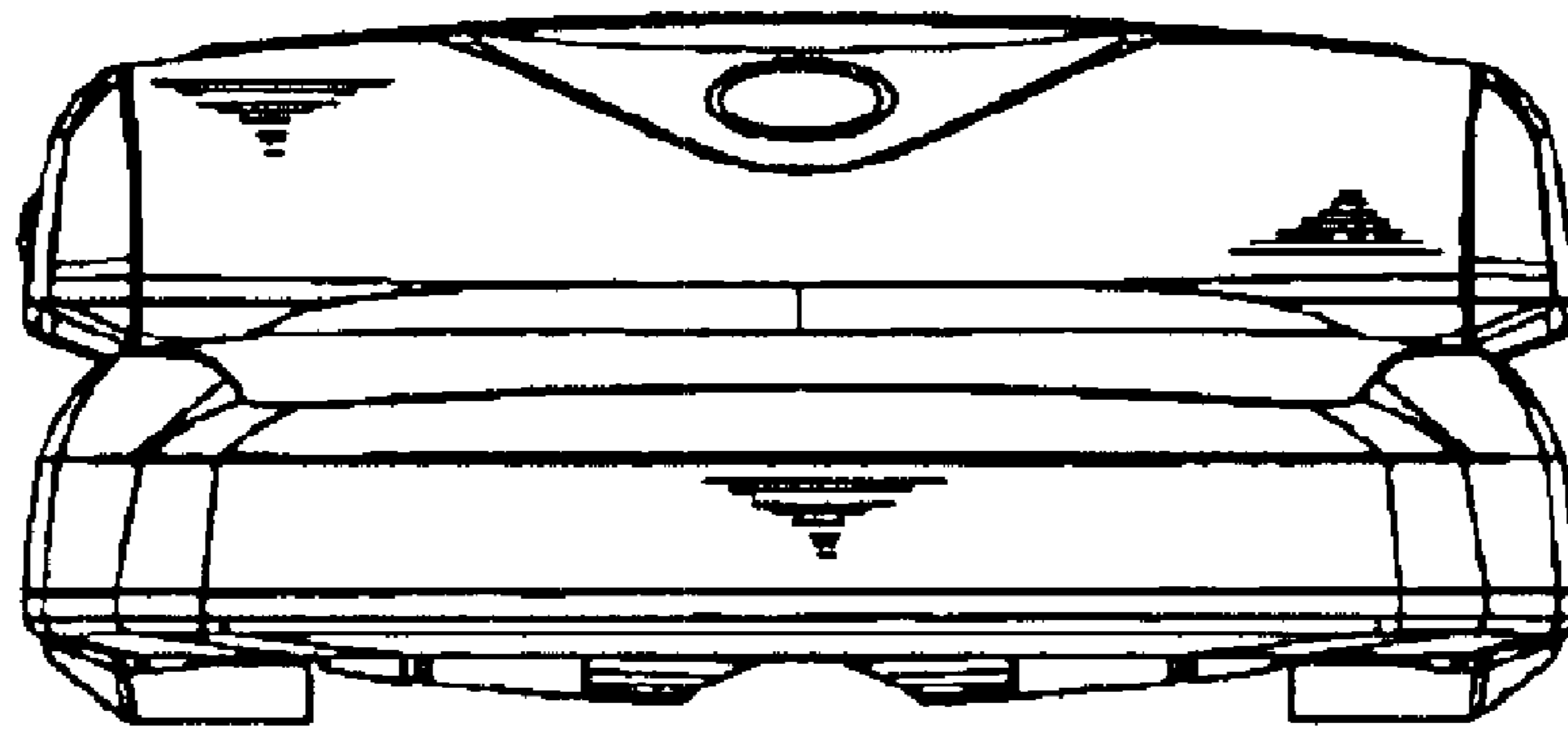


FIG. 5

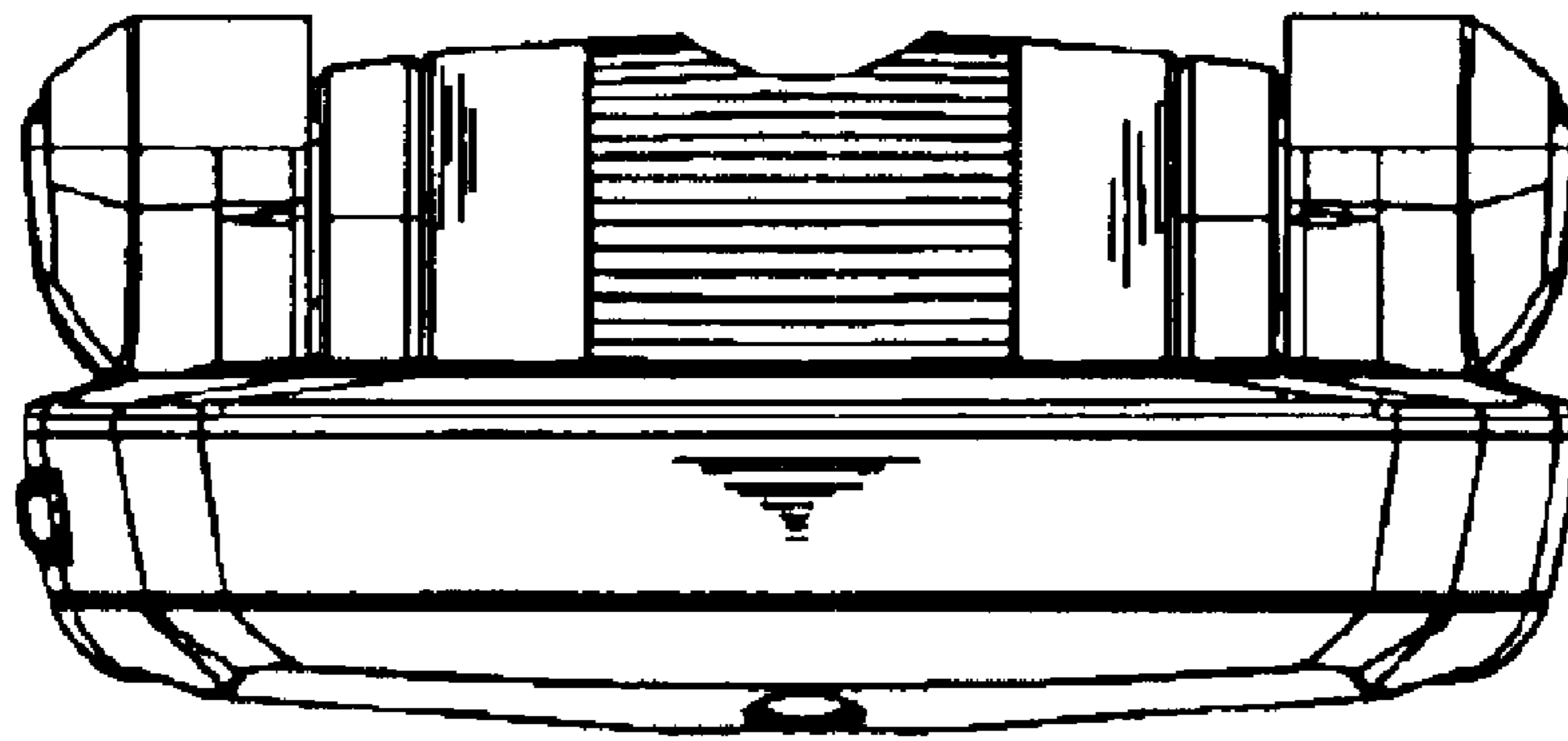


FIG. 6

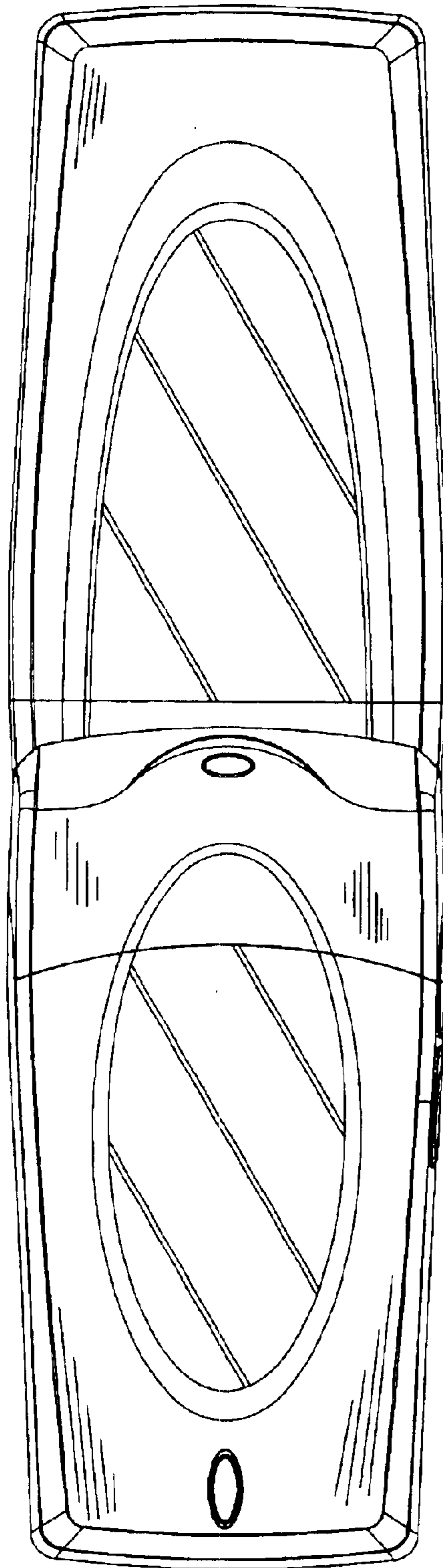


FIG. 7



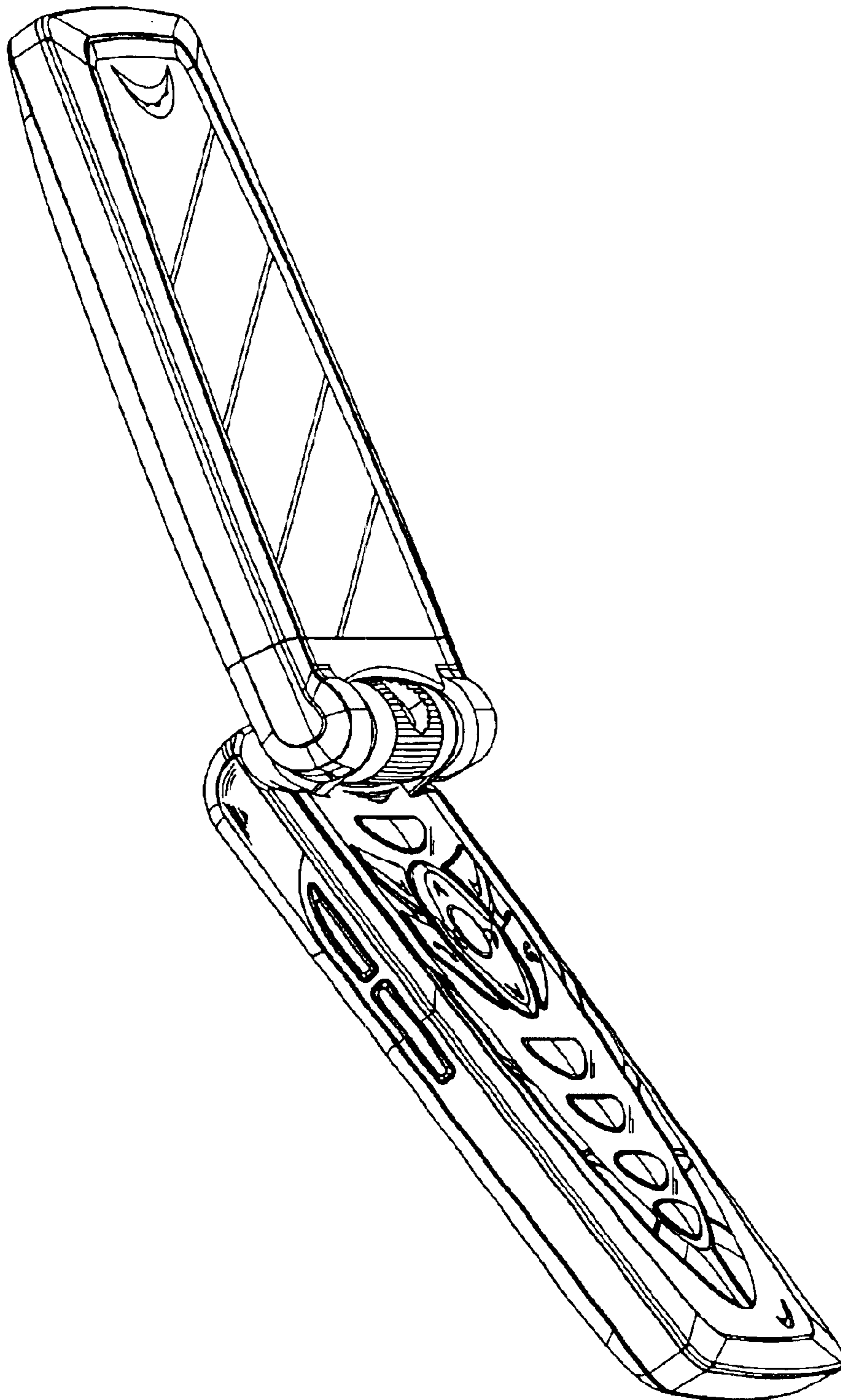


FIG. 8

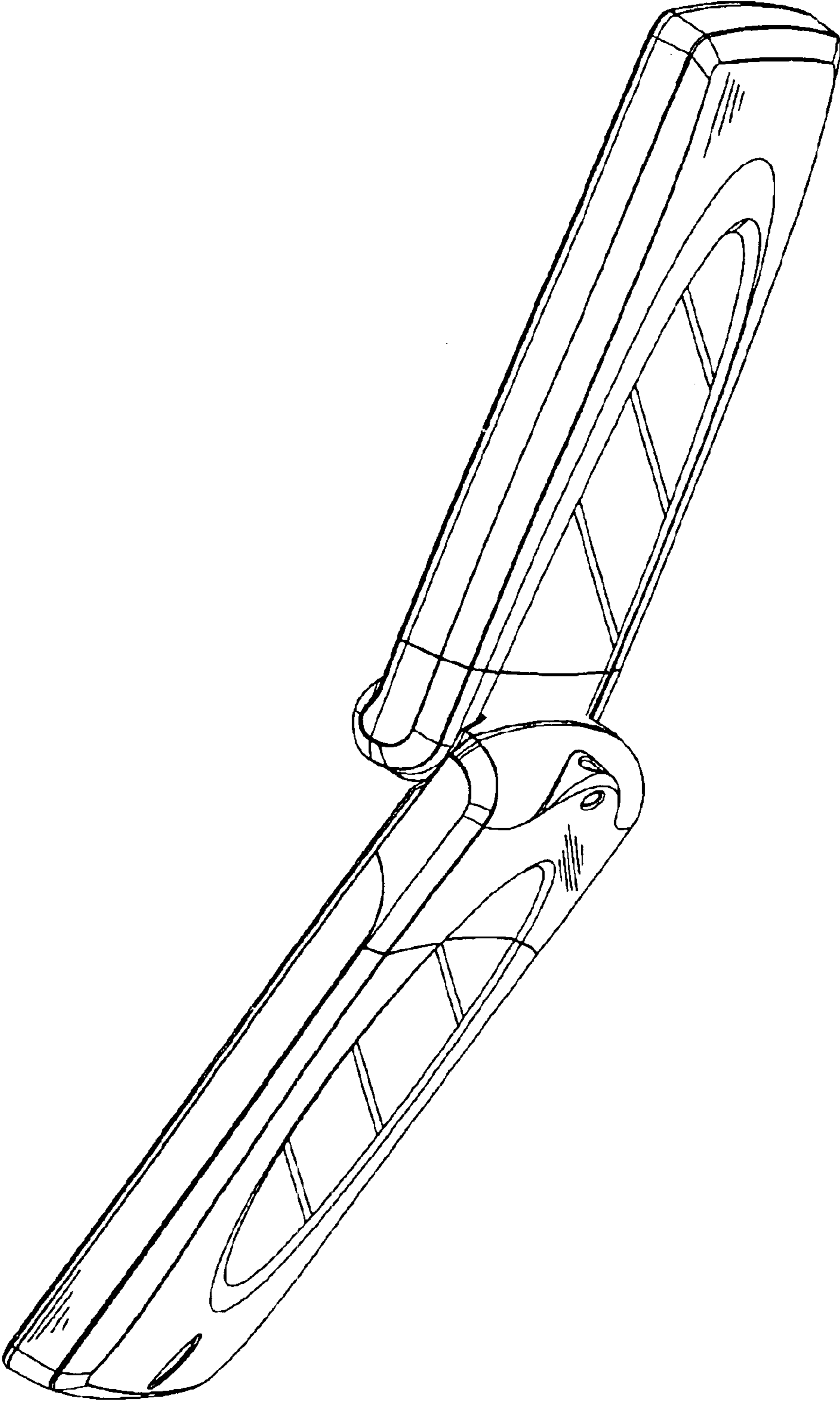


FIG. 9

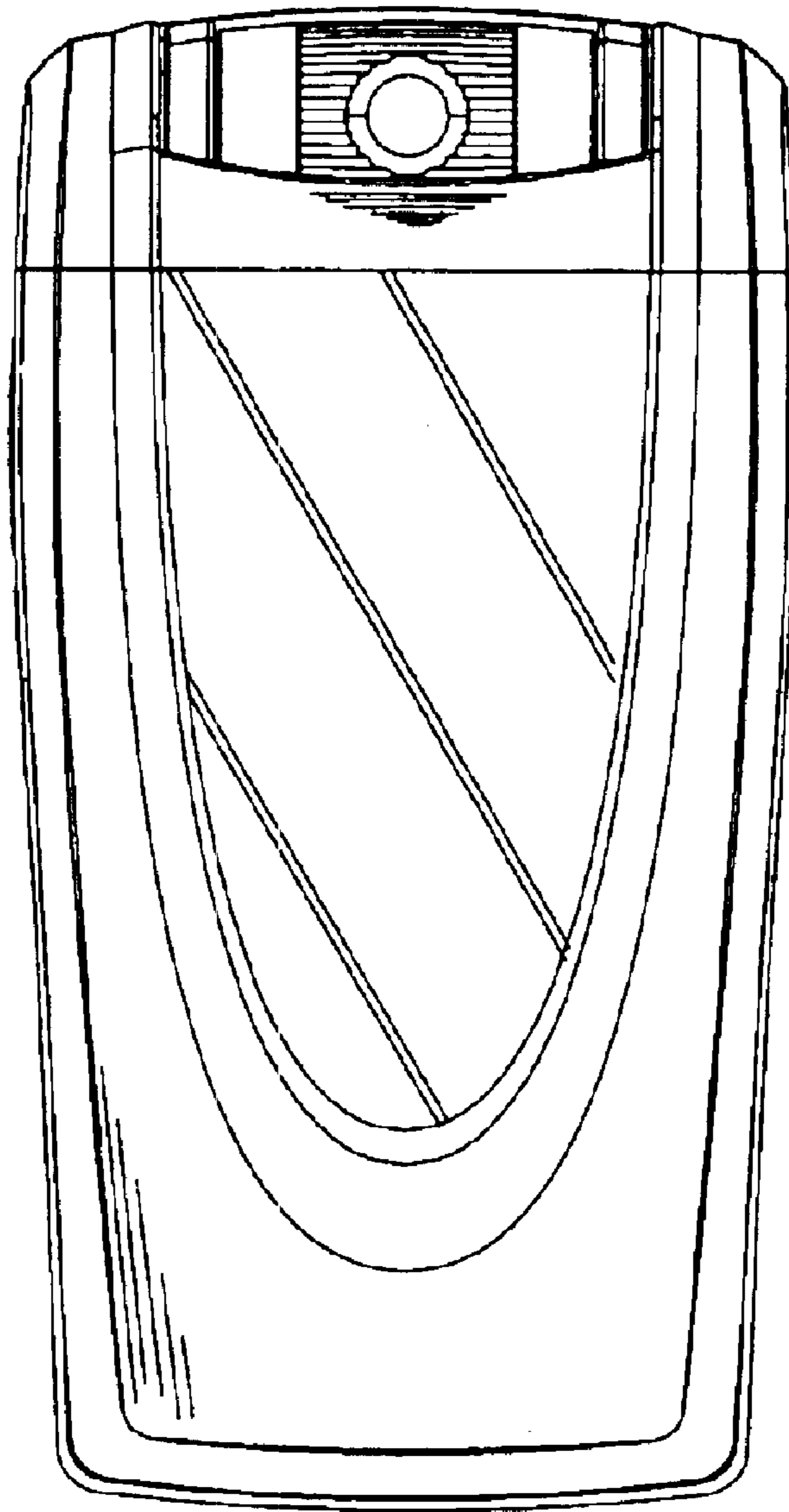


FIG. 10

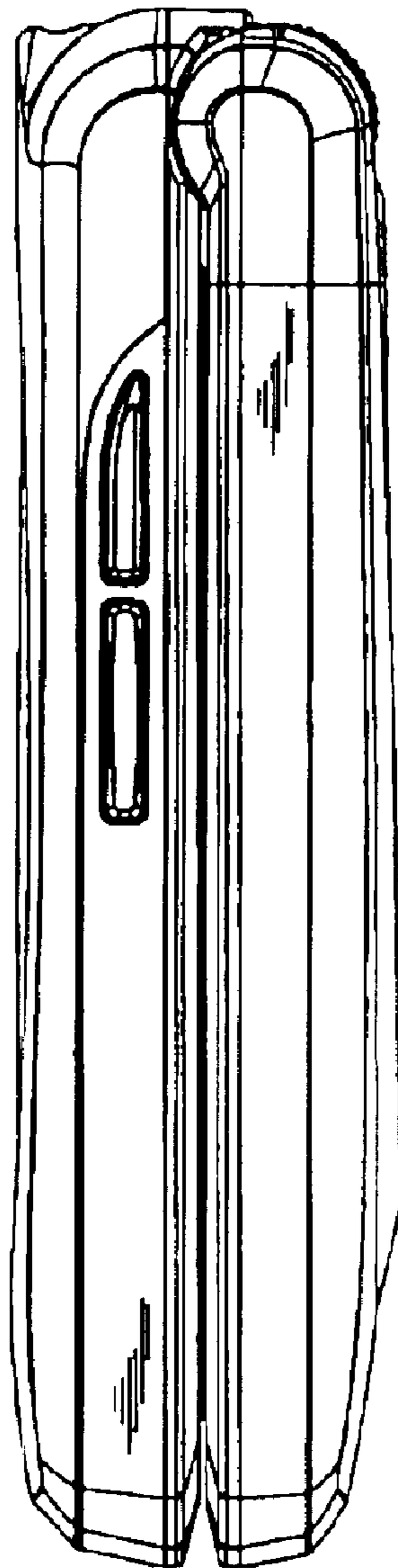


FIG. 11

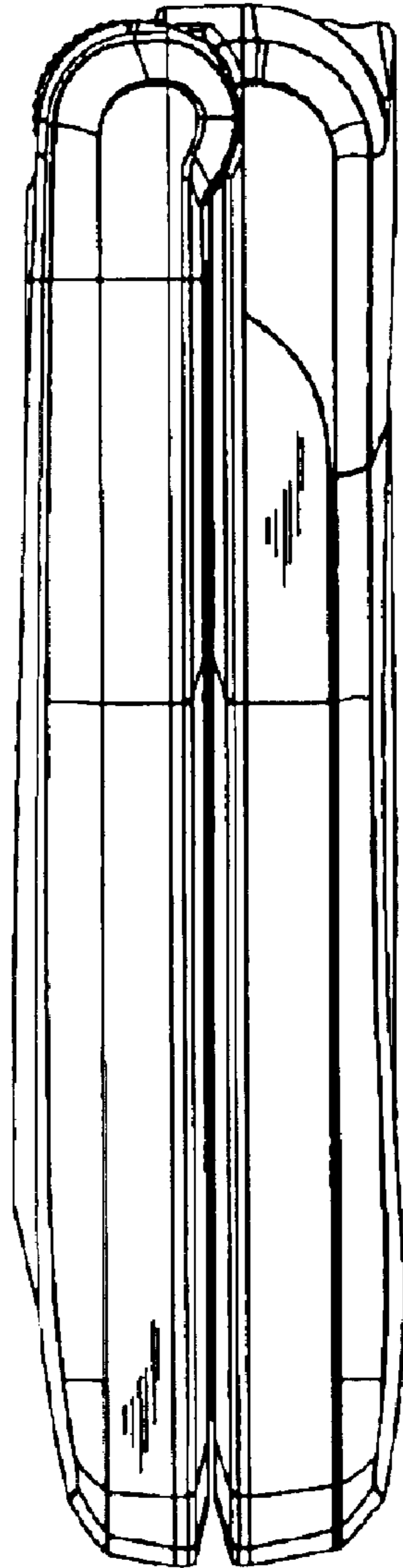


FIG. 12

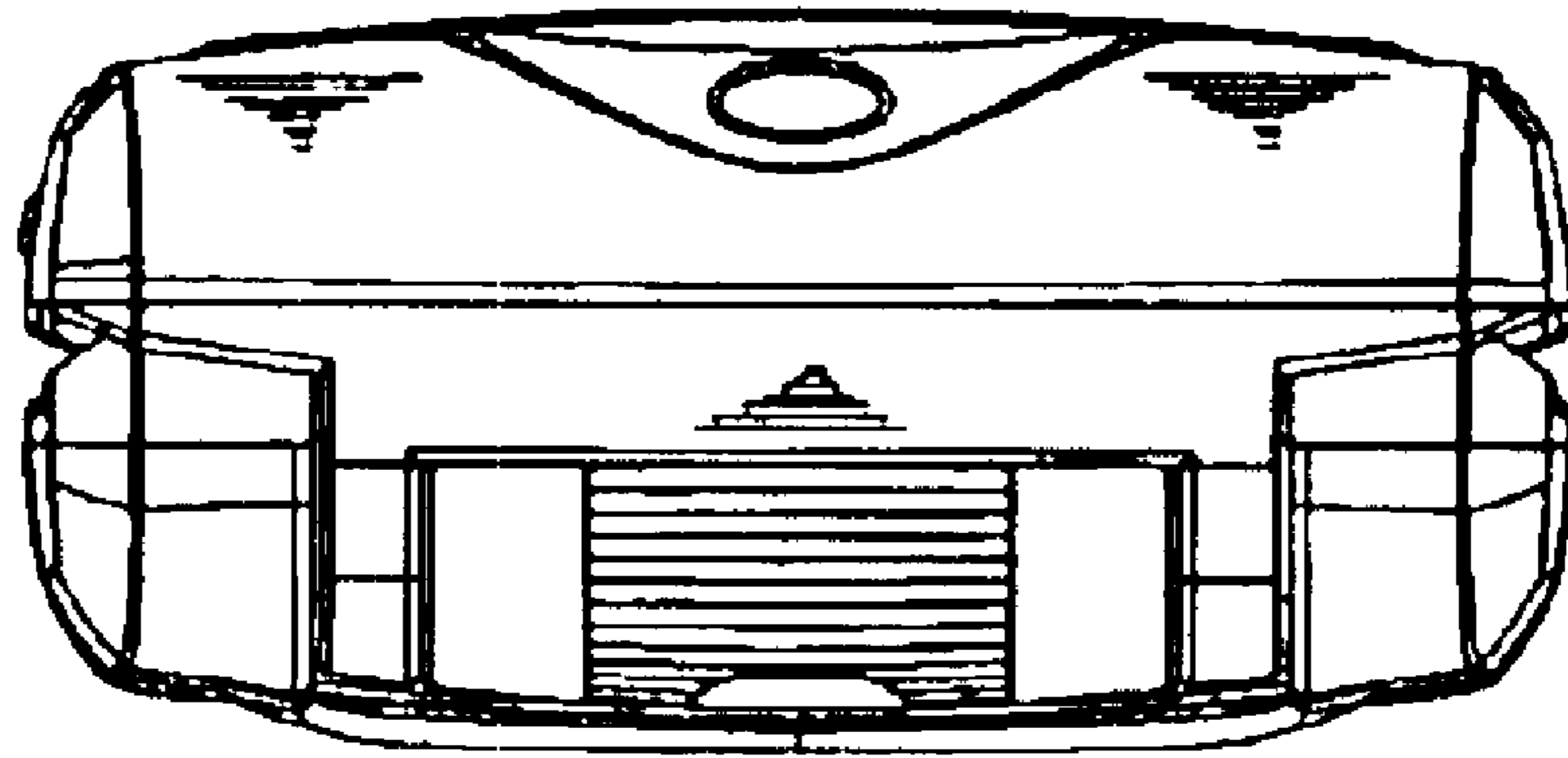


FIG. 13

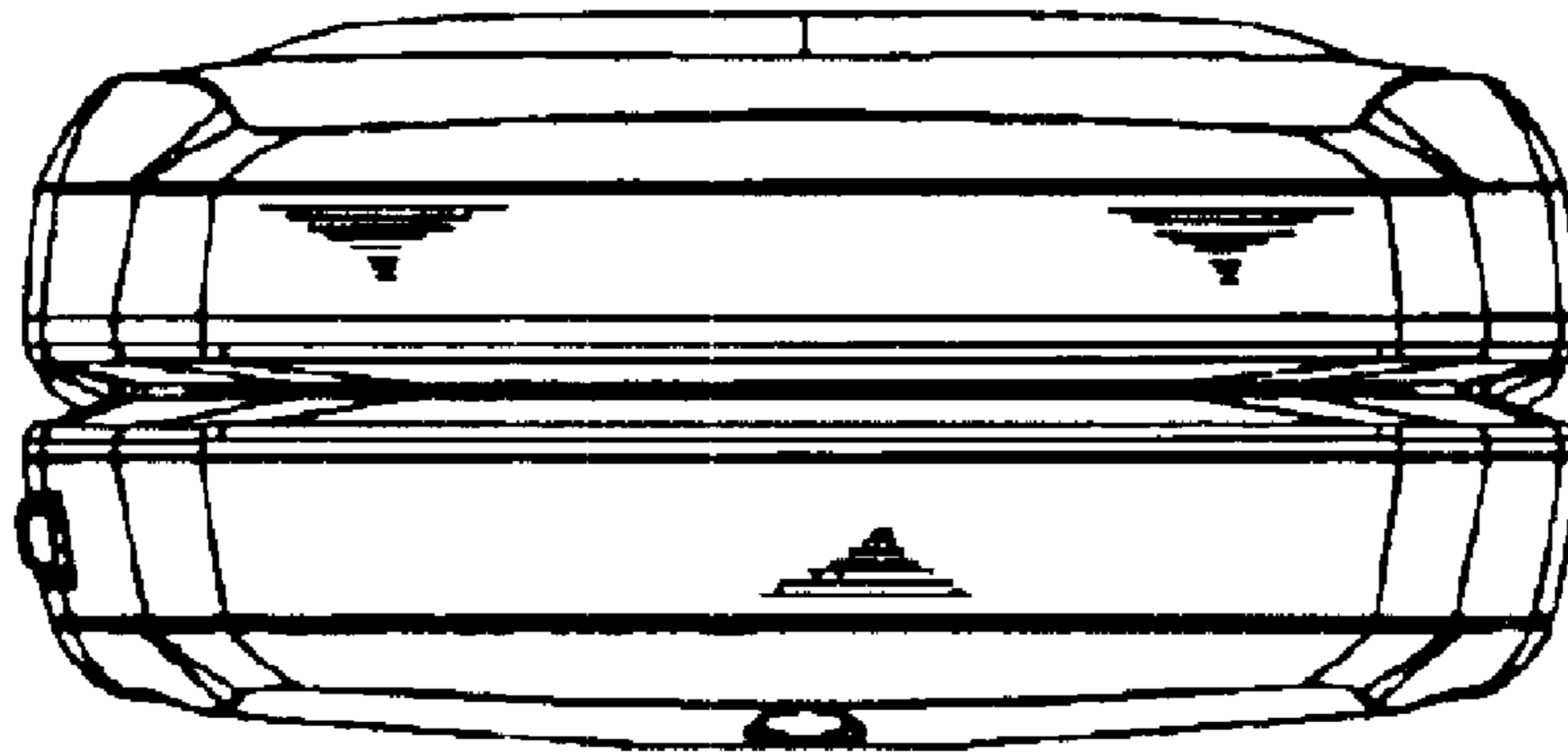


FIG. 14

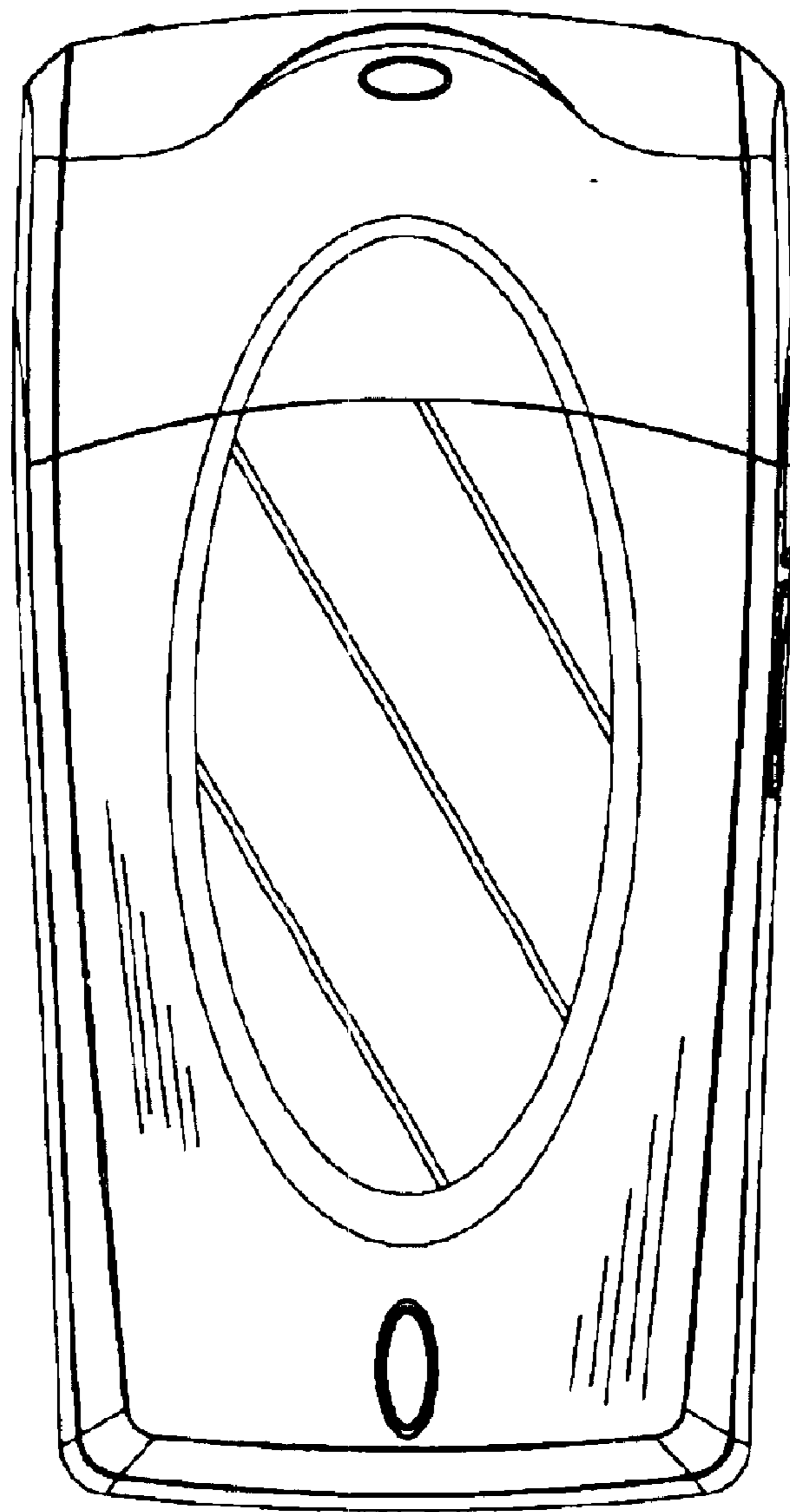


FIG. 15