



US00D493434S1

(12) **United States Design Patent**
Wu

(10) **Patent No.:** **US D493,434 S**
(45) **Date of Patent:** **** Jul. 27, 2004**

(54) **OPTICAL DISK APPARATUS**

(75) Inventor: **Chun-Ting Wu, Hsinchu (TW)**

(73) Assignee: **Lite-On It Corporation, Taipei (TW)**

(**) Term: **14 Years**

(21) Appl. No.: **29/193,895**

(22) Filed: **Nov. 14, 2003**

(30) **Foreign Application Priority Data**

Aug. 19, 2003 (TW) 92301881U01

(51) **LOC (7) Cl.** **14-01**

(52) **U.S. Cl.** **D14/136**

(58) **Field of Search** D14/135-136,
D14/160-168, 188, 192-198, 156-157;
455/100, 344, 347-351

(56) **References Cited**

U.S. PATENT DOCUMENTS

D339,135 S * 9/1993 Ito et al. D14/156

5,859,828 A * 1/1999 Ishibashi 369/75.1
D412,905 S * 8/1999 Miyazaki et al. D14/156
D444,138 S * 6/2001 Ito et al. D14/168

* cited by examiner

Primary Examiner—Nanda Bondade

(74) *Attorney, Agent, or Firm*—Thomas, Kayden,
Horstemeyer & Risley

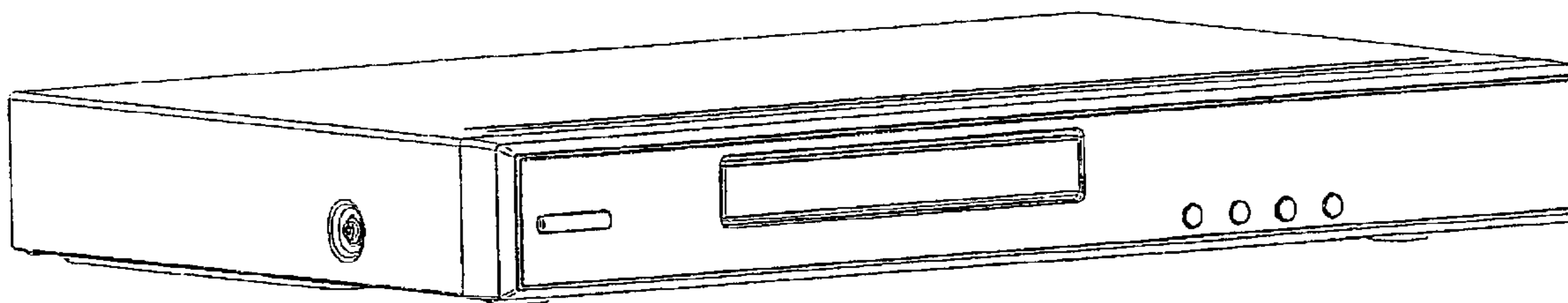
(57) **CLAIM**

The ornamental design for optical disk apparatus, as shown.

DESCRIPTION

FIG. 1 is a perspective view of view of a “optical disk apparatus” showing my new design;
FIG. 2 is a front view thereof;
FIG. 3 is a rear view thereof;
FIG. 4 is a left side view thereof;
FIG. 5 is a right side view thereof;
FIG. 6 is a top plan view thereof; and,
FIG. 7 is a bottom plan view thereof.

1 Claim, 3 Drawing Sheets



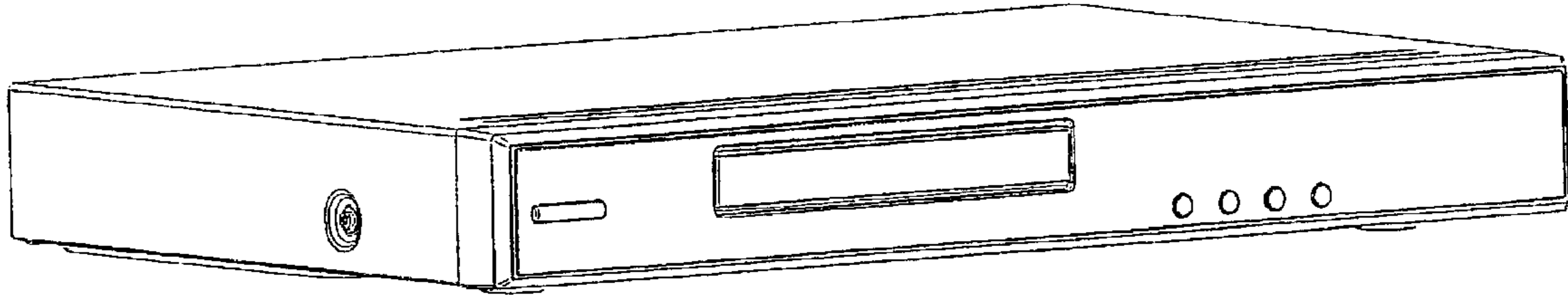


FIG. 1

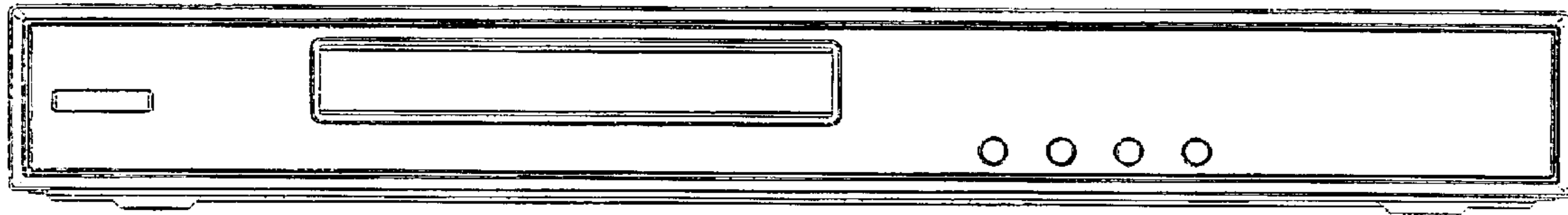


FIG. 2

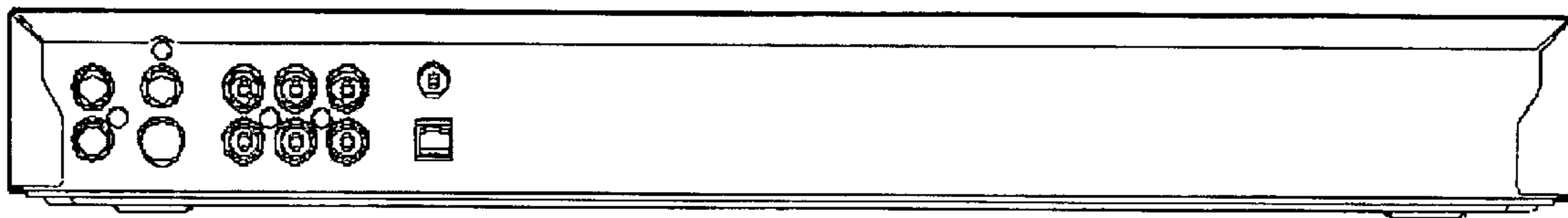


FIG. 3

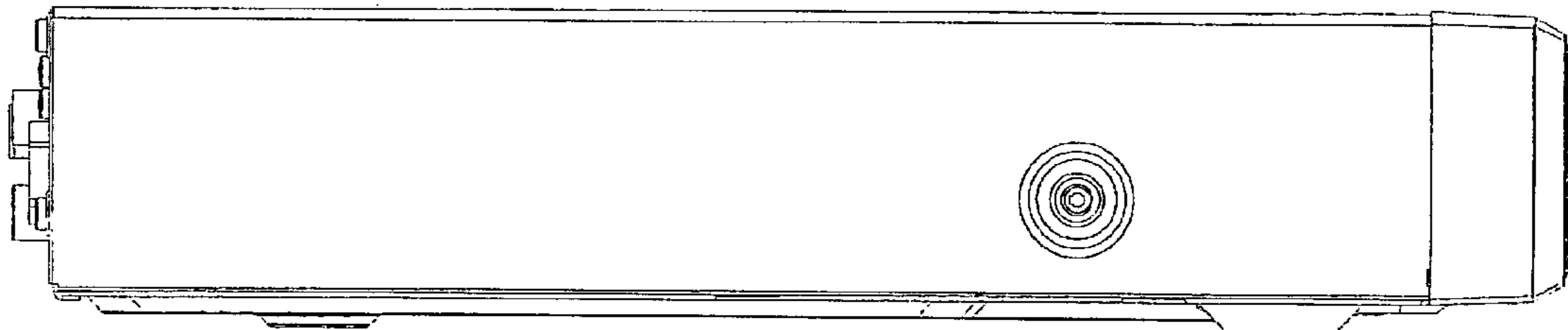


FIG. 4

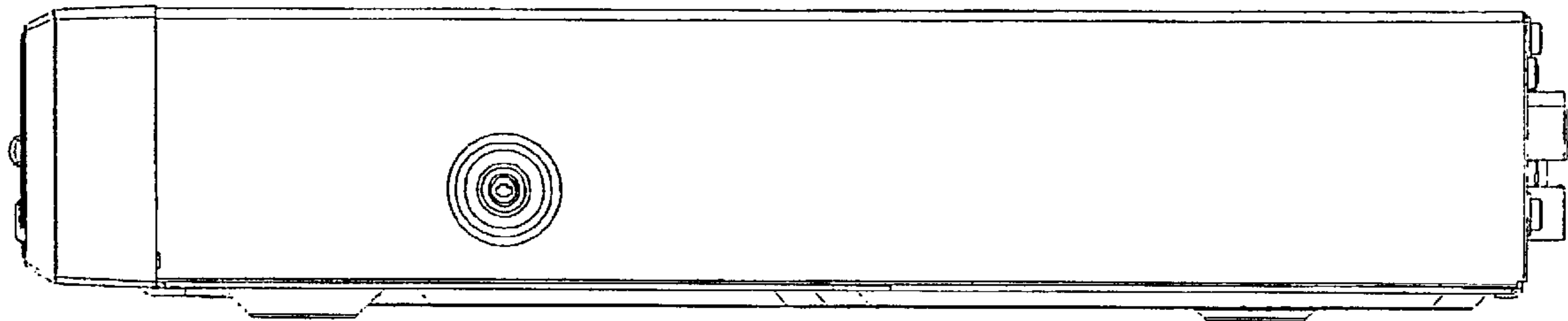


FIG. 5

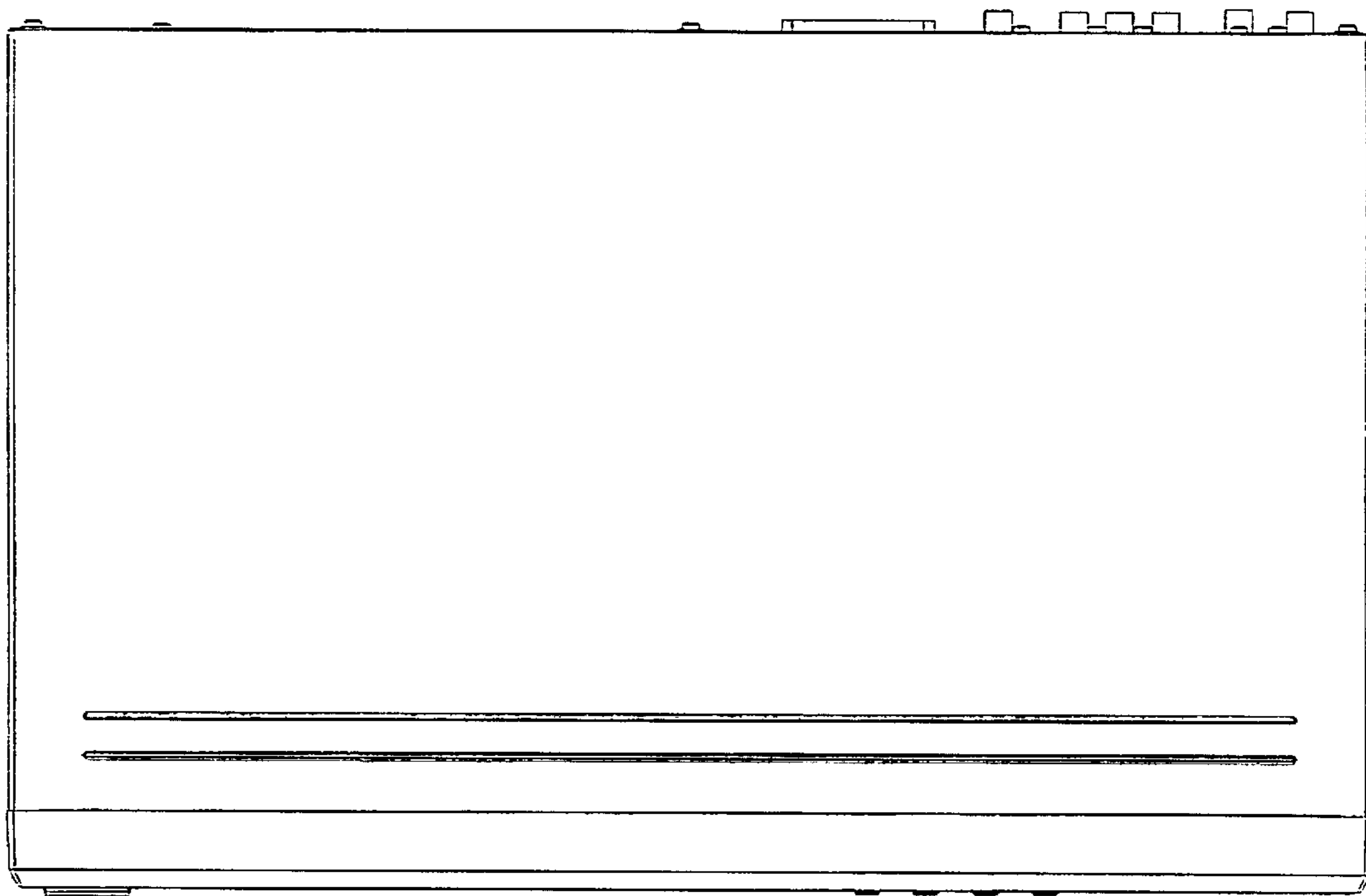


FIG. 6

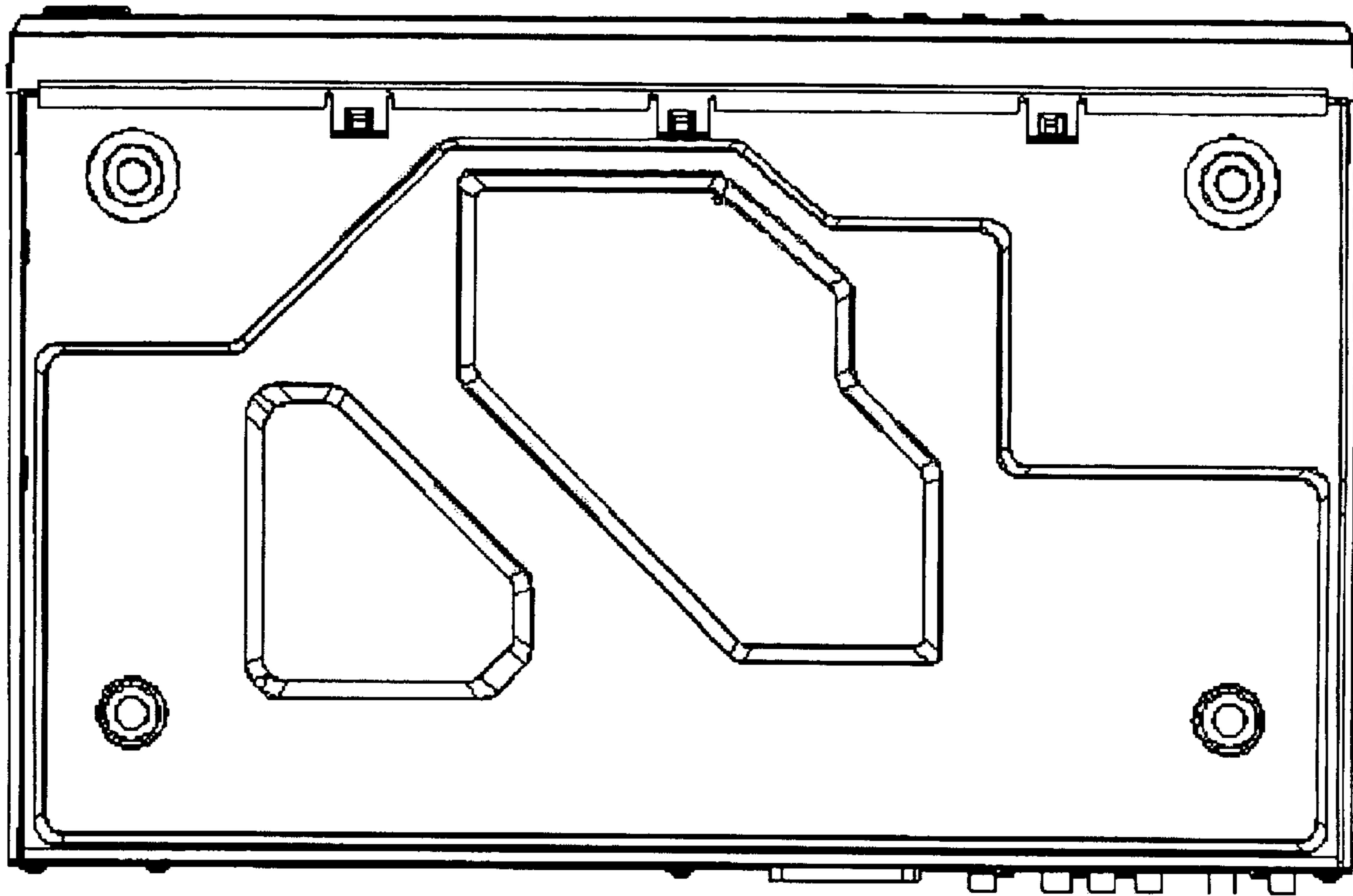


FIG. 7