

US00D493431S1

(12) **United States Design Patent**
Forlenza et al.

(10) **Patent No.:** **US D493,431 S**
(45) **Date of Patent:** **** Jul. 27, 2004**

(54) **TELEVISION CONSOLE**
(75) Inventors: **A. Michael Forlenza**, La Jolla, CA
(US); **Hiroaki Takatsuki**, La Jolla, CA
(US); **Shigetaka Kimura**, La Jolla, CA
(US)

(73) Assignee: **Hitachi Home Electronics (America), Inc.**, Chula Vista, CA (US)

(**) Term: **14 Years**

(21) Appl. No.: **29/177,279**

(22) Filed: **Mar. 4, 2003**

(51) **LOC (7) Cl.** **14-03**

(52) **U.S. Cl.** **D14/128; D14/126; D14/133**

(58) **Field of Search** **D14/125-134, D14/239, 374; 312/7.2; 348/787, 789, 836, 838; 353/47, 74**

D455,133 S 4/2002 Inoue
D456,372 S 4/2002 Oe et al.
D460,427 S 7/2002 Oe et al.
D470,466 S 2/2003 Forlenza et al.
D473,532 S 4/2003 Oe et al.
D476,633 S * 7/2003 Oe et al. D14/133
D484,106 S * 12/2003 Onoda D14/128

OTHER PUBLICATIONS

“Illumina,” Hitachi UK catalog (1999–2000). Ref Not Found.

* cited by examiner

Primary Examiner—Raphael Barkai

(74) *Attorney, Agent, or Firm*—Knobbe, Martens, Olson & Bear, LLP

(57) **CLAIM**

The ornamental design for a television console, as shown and described.

(56) **References Cited**

U.S. PATENT DOCUMENTS

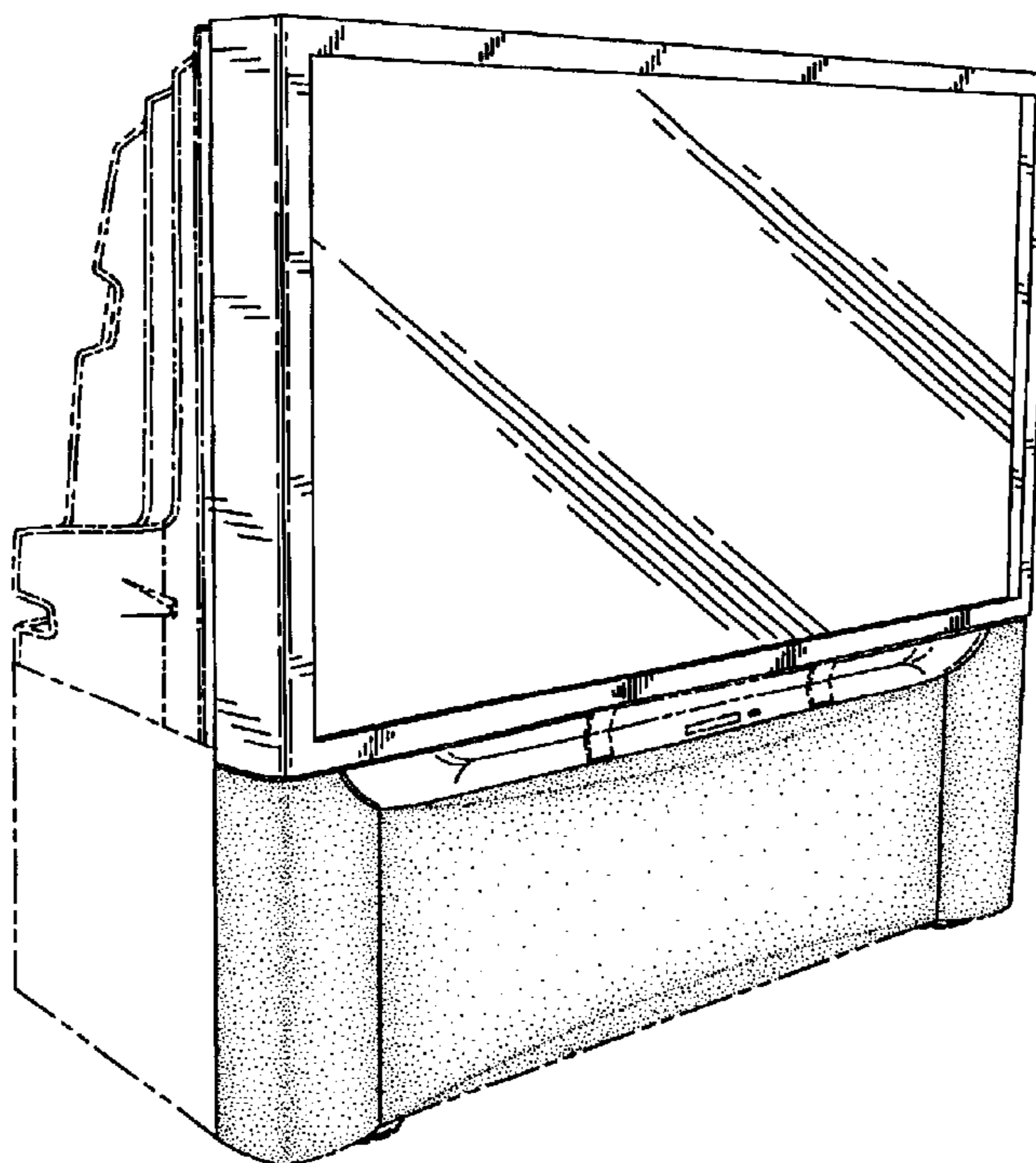
D345,968 S 4/1994 Bruce et al.
D360,203 S 7/1995 Bourgerie
D368,087 S 3/1996 Gioscia
D384,659 S 10/1997 Suzuki
D410,917 S 6/1999 Novak et al.
D418,832 S 1/2000 Tsuge
D431,232 S 9/2000 Yokoyama et al.
D434,015 S 11/2000 Oe et al.
D440,950 S 4/2001 Oe et al.
D442,926 S 5/2001 Kim et al.

DESCRIPTION

FIG. 1 is a perspective view of a television console; FIG. 2 is a front elevational view thereof; FIG. 3 is a right side elevational view thereof; FIG. 4 is a left side elevational view thereof; FIG. 5 is a rear elevational view thereof; FIG. 6 is a top plan view thereof; and, FIG. 7 is a bottom plan view thereof.

The broken lines are shown for illustrative purposes only and form no part of the claimed invention.

1 Claim, 6 Drawing Sheets



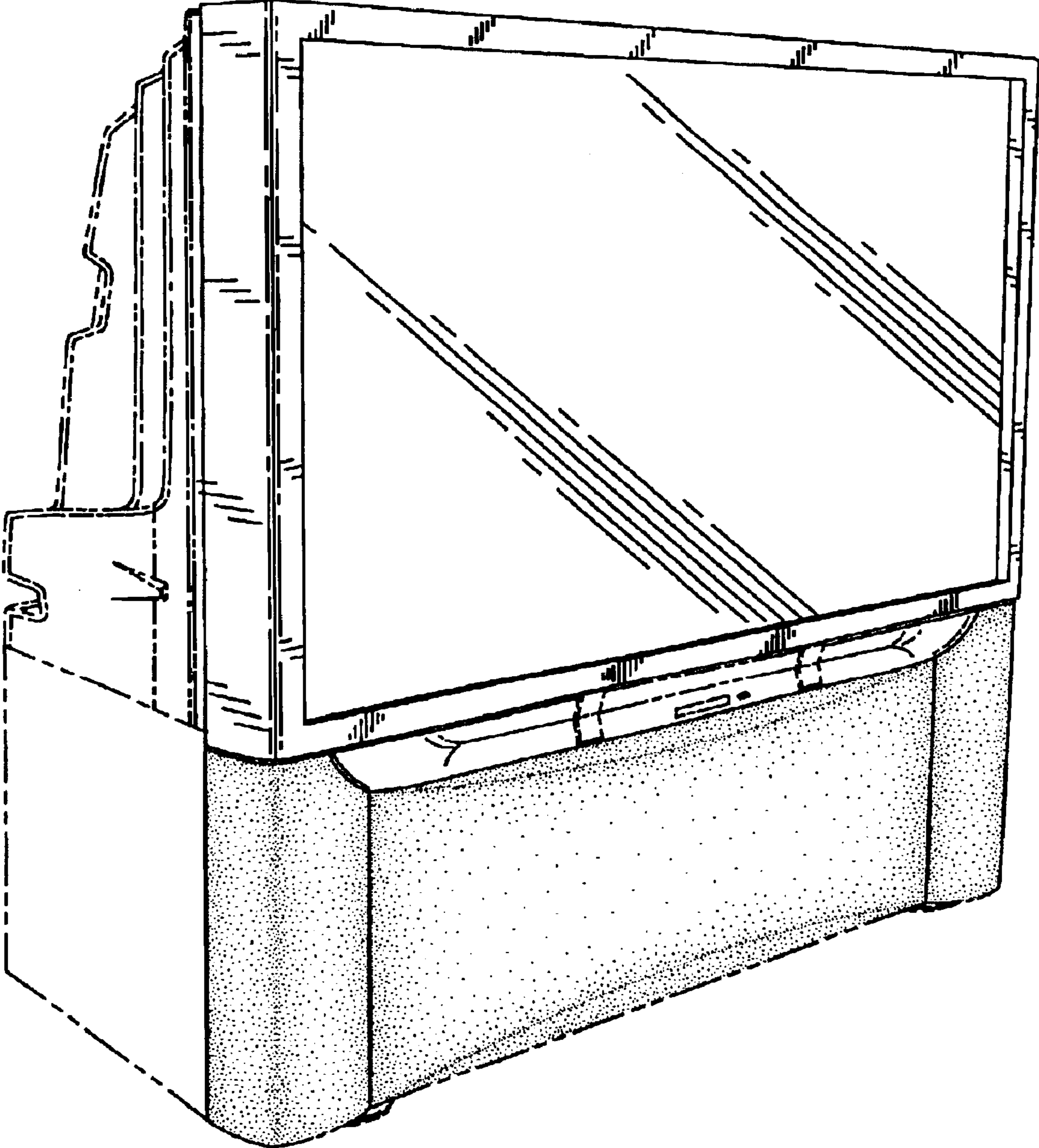


FIG. 1

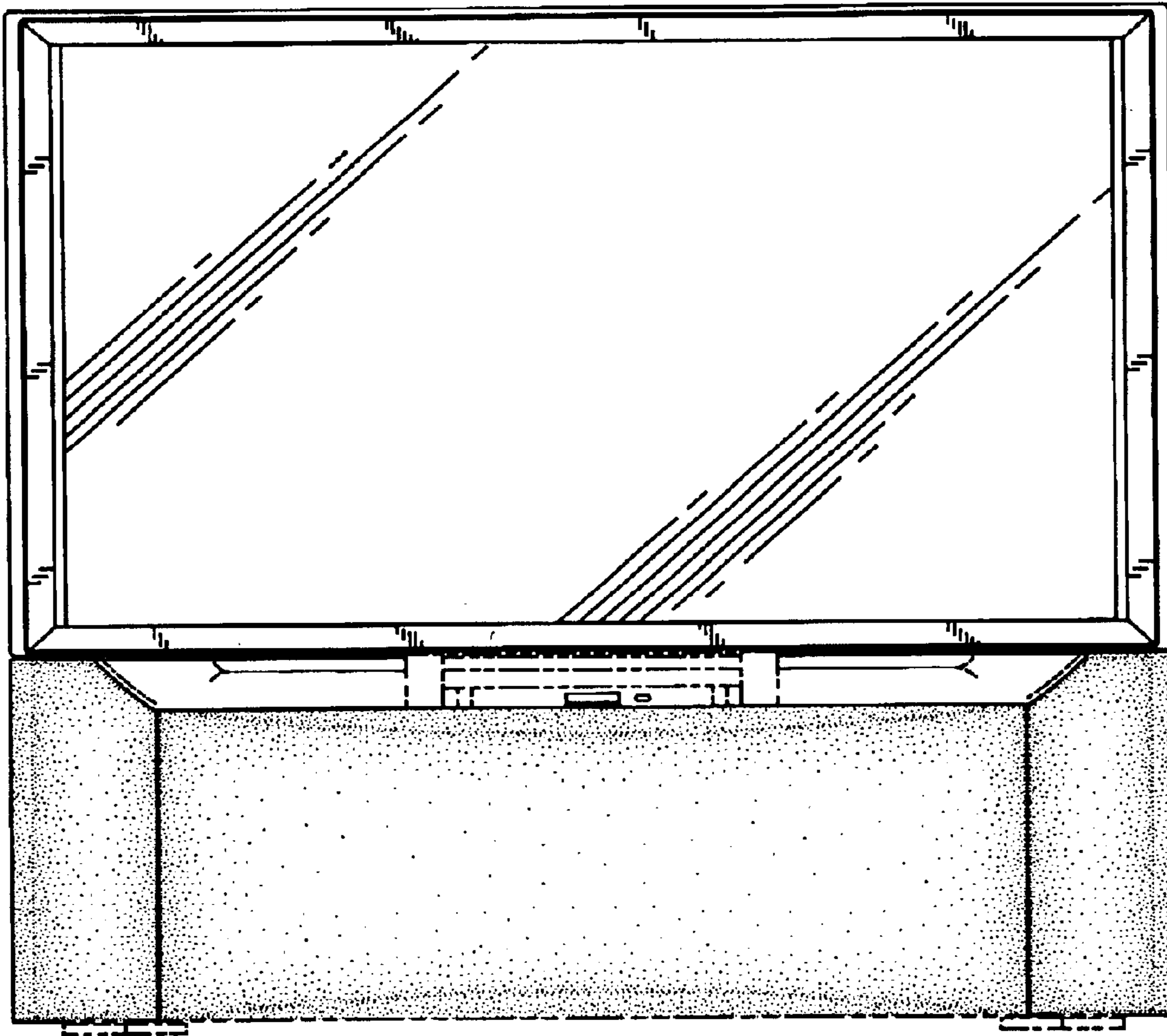


FIG. 2

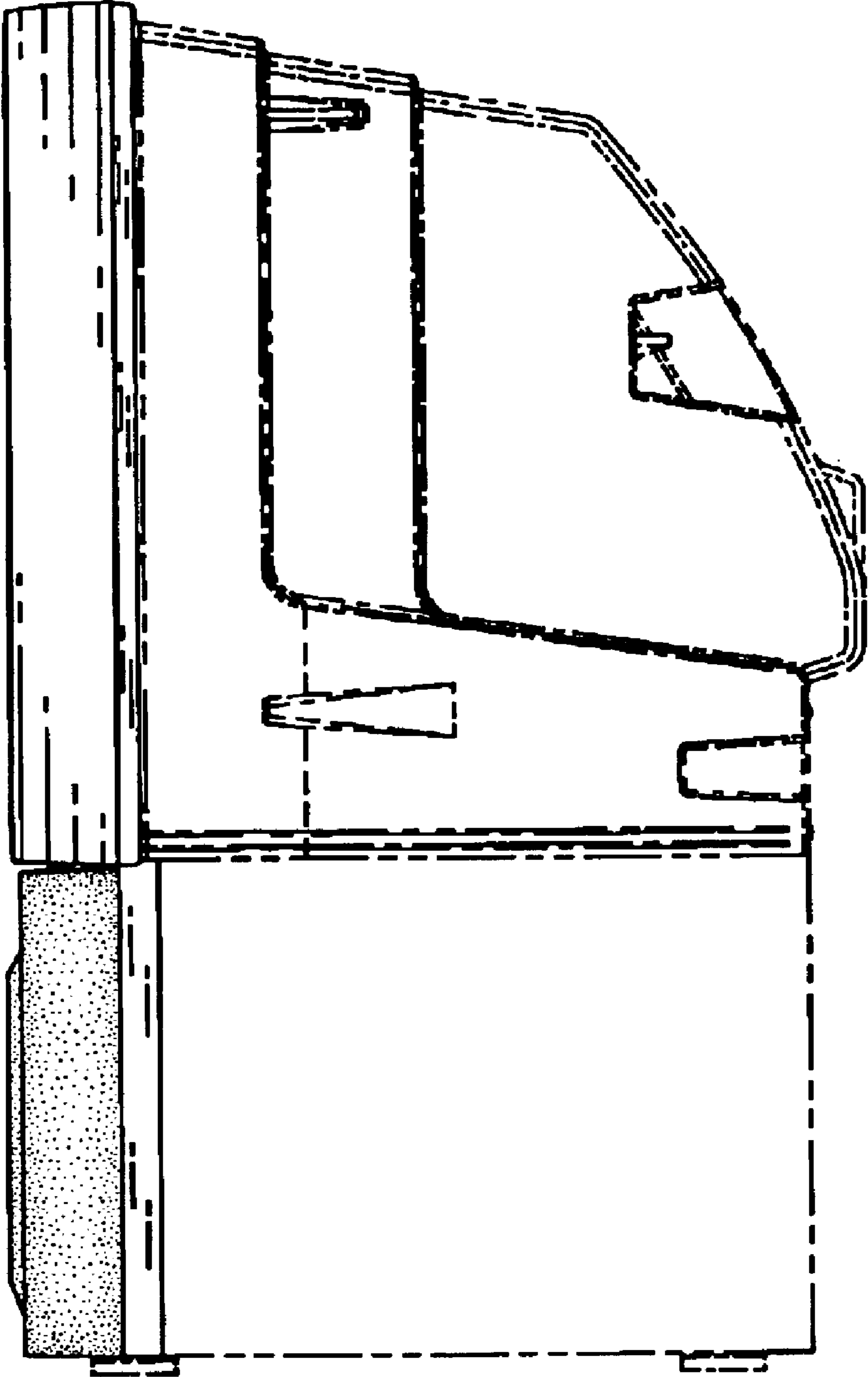


FIG. 3

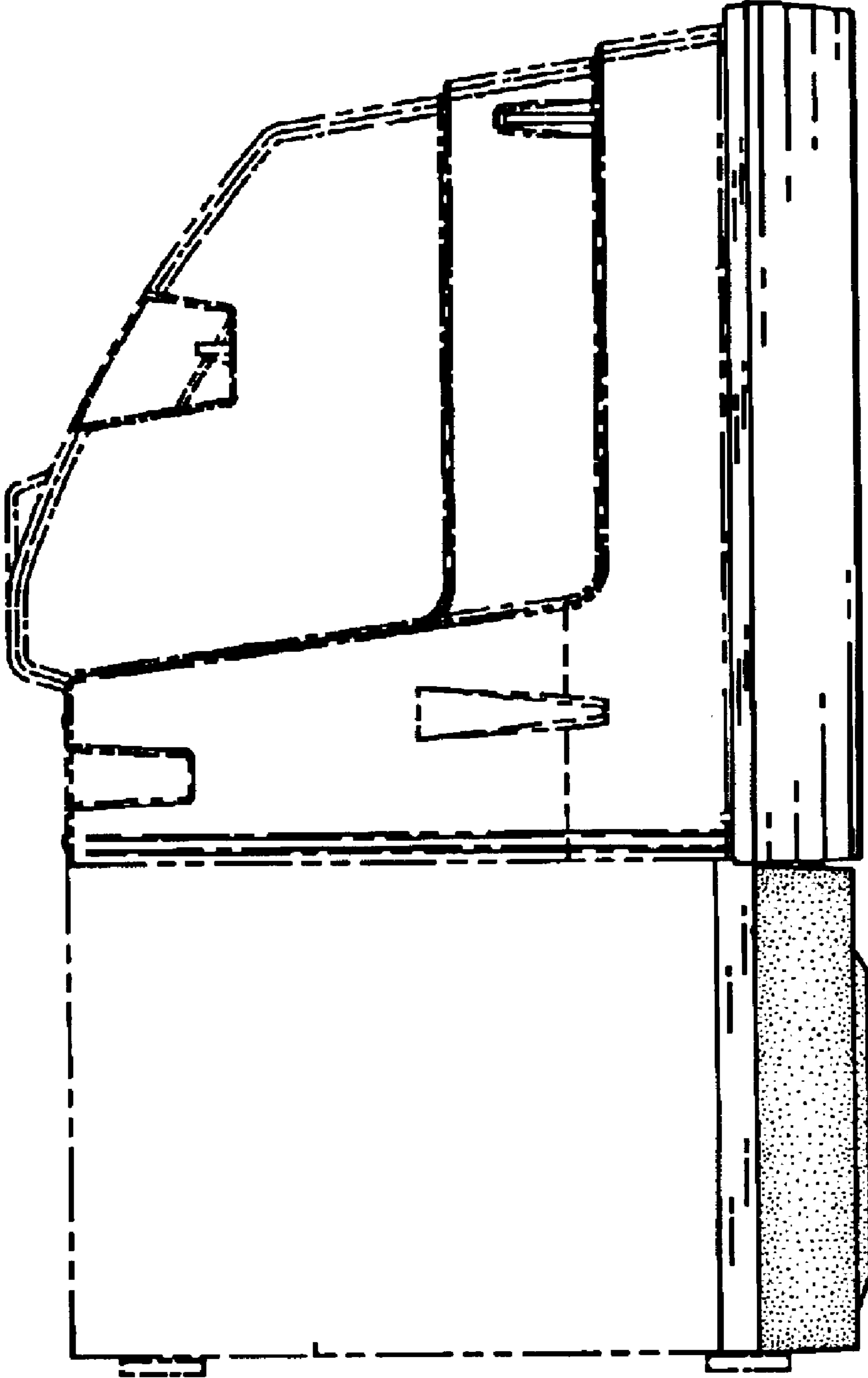


FIG. 4

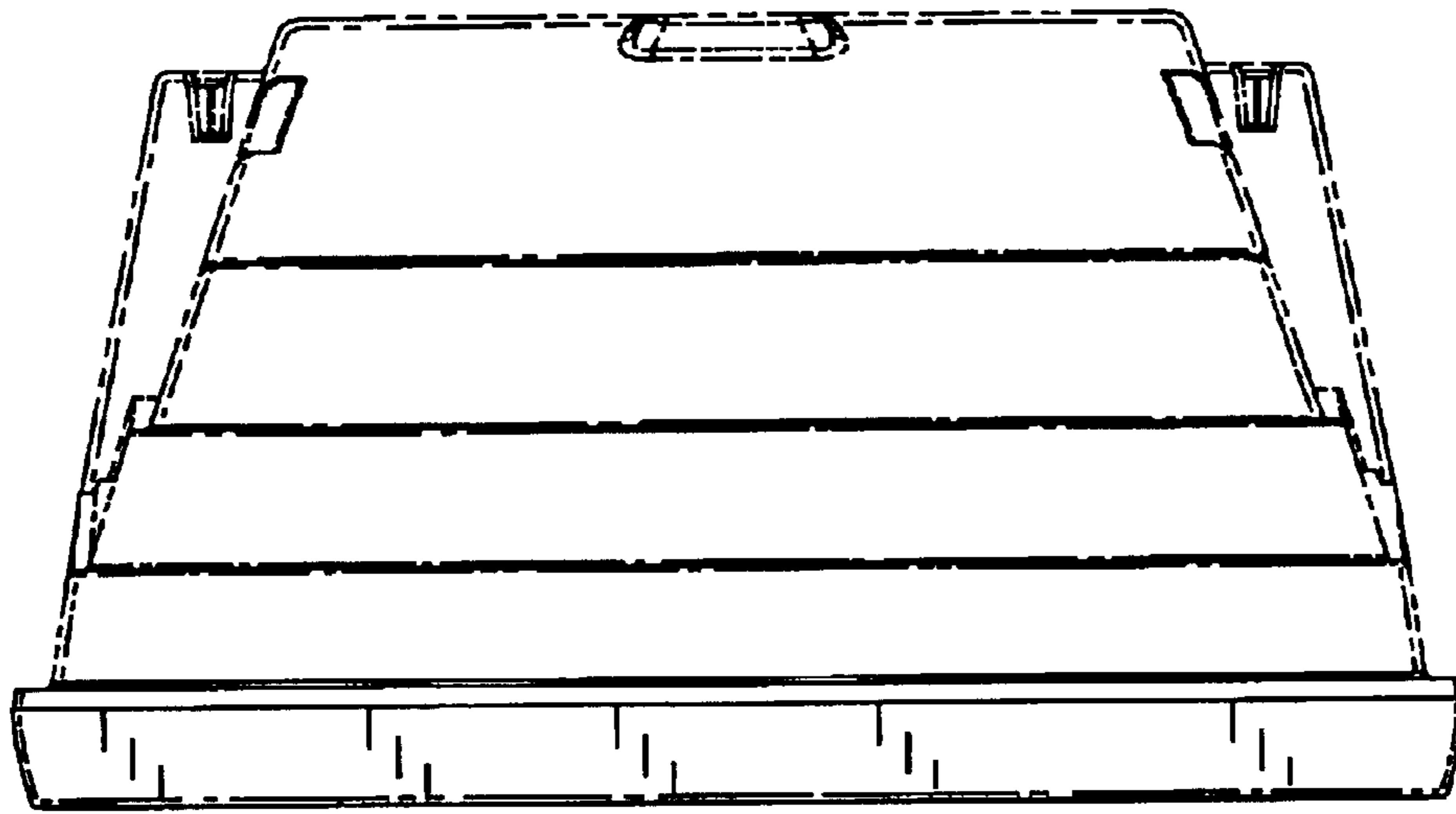


FIG. 5

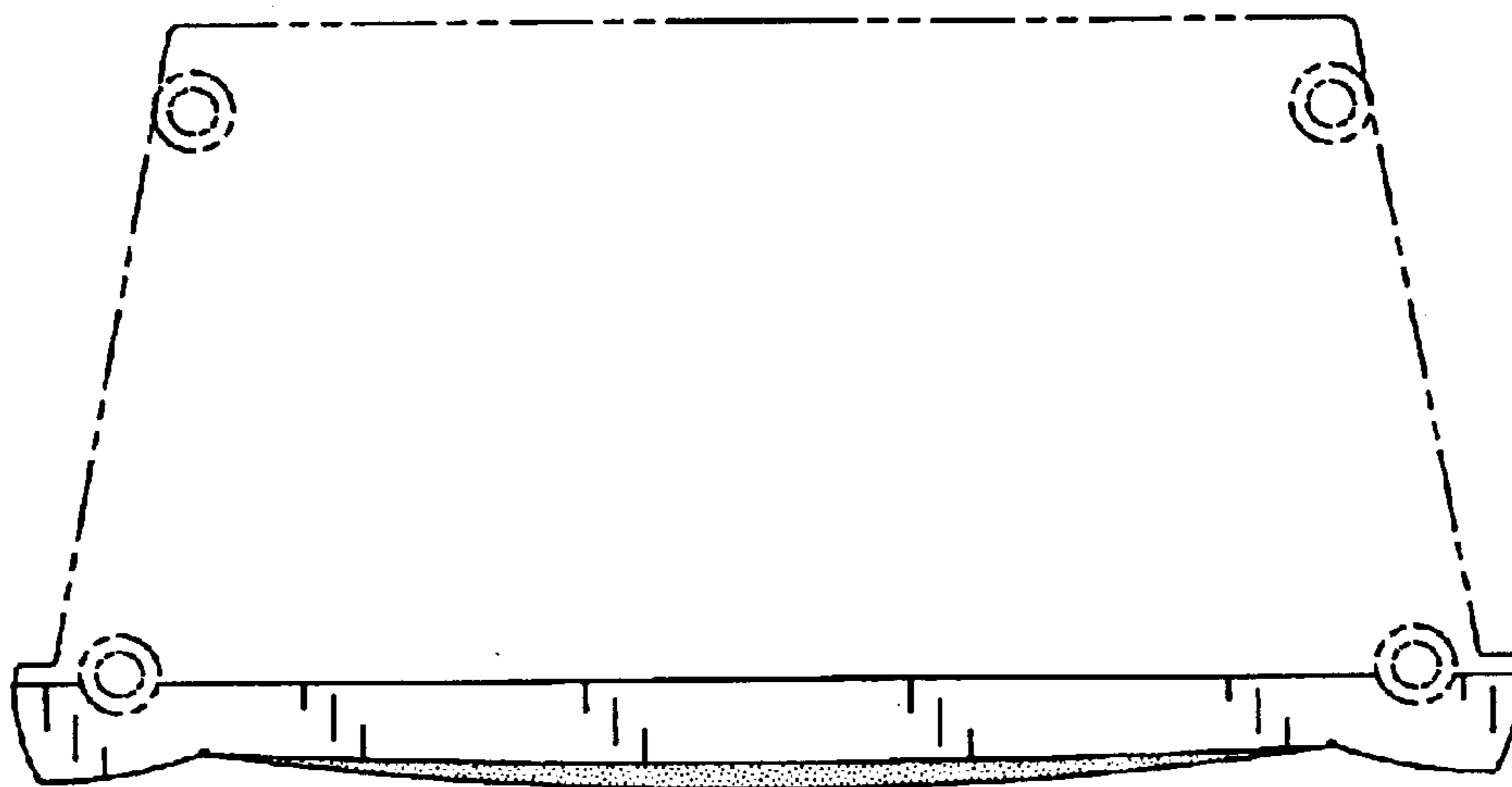


FIG. 6

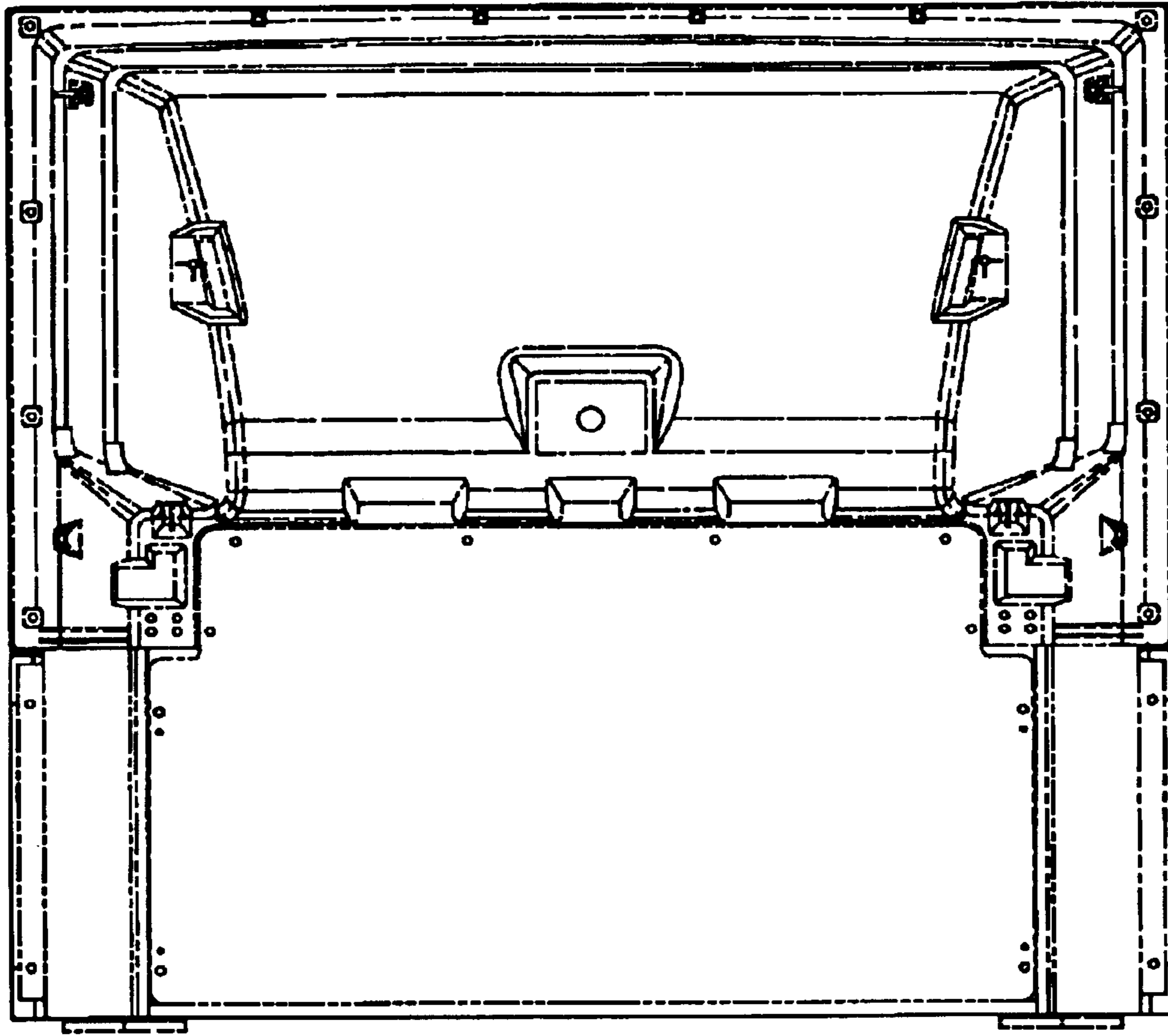


FIG. 7