

US00D493430S1

(12) **United States Design Patent**
Hussaini et al.

(10) **Patent No.: US D493,430 S**
(45) **Date of Patent: ** Jul. 27, 2004**

(54) **VIDEO DISPLAY**
(75) Inventors: **Saied Hussaini**, Miami, FL (US); **Marc Iacovelli**, Miami, FL (US)
(73) Assignee: **Intec Inc.**, Miami, FL (US)
(**) Term: **14 Years**

D456,370 S * 4/2002 Kita D14/126
D460,967 S * 7/2002 Peng et al. D14/375
D476,632 S * 7/2003 Inoue et al. D14/126
D479,209 S * 9/2003 Teng et al. D14/126
D481,728 S * 11/2003 Olson et al. D14/375
D486,131 S * 2/2004 Otsuka D14/126

* cited by examiner

Primary Examiner—Raphael Barkai
(74) *Attorney, Agent, or Firm*—Liniak, Berenato & White

(21) Appl. No.: **29/192,757**
(22) Filed: **Oct. 30, 2003**

(57) **CLAIM**

(51) **LOC (7) Cl.** **14-03**
(52) **U.S. Cl.** **D14/126**
(58) **Field of Search** D14/125–136,
D14/239, 371, 374–376; 312/7.2; 348/836,
838, 180, 164, 325, 739; 341/12; 248/917–924;
345/104, 133, 156, 168, 87, 173

The ornamental design for a video display, as shown and described.

DESCRIPTION

(56) **References Cited**
U.S. PATENT DOCUMENTS

FIG. 1 is a front view of video display according to the present invention.
FIG. 2 is a rear view of the video display of FIG. 1.
FIG. 3 is a left side view of the video display of FIG. 1.
FIG. 4 is a right side view of the video display of FIG. 1.
FIG. 5 is a top view of the video display of FIG. 1.
FIG. 6 is a bottom view of the video display of FIG. 1; and,
FIG. 7 is a perspective view of the video display of FIG. 1.

D432,101 S * 10/2000 Oba D14/126
D439,224 S * 3/2001 Kita D14/126
D439,225 S * 3/2001 Kita D14/126
D453,748 S * 2/2002 Kita D14/134

1 Claim, 7 Drawing Sheets

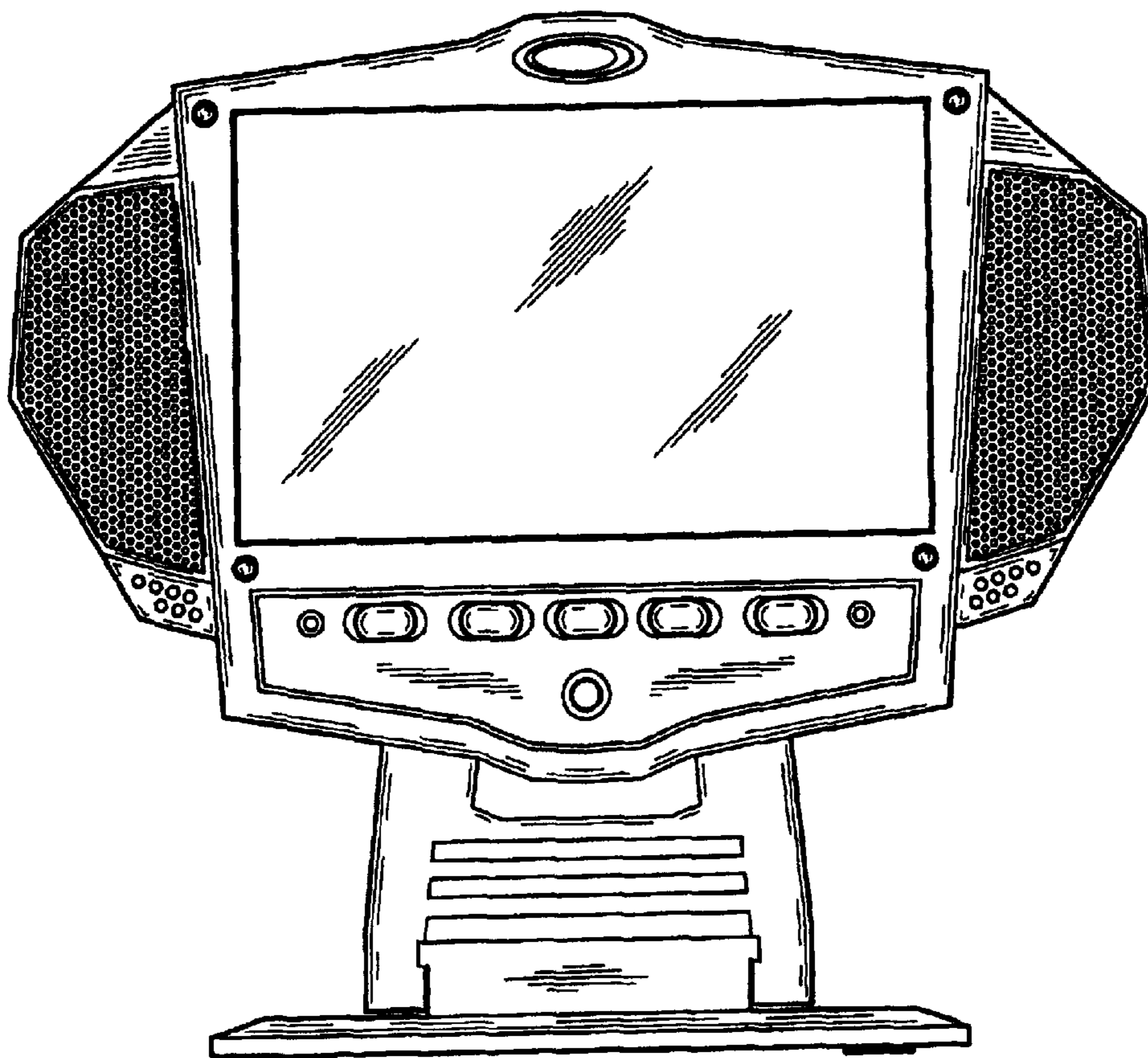


Fig. 1

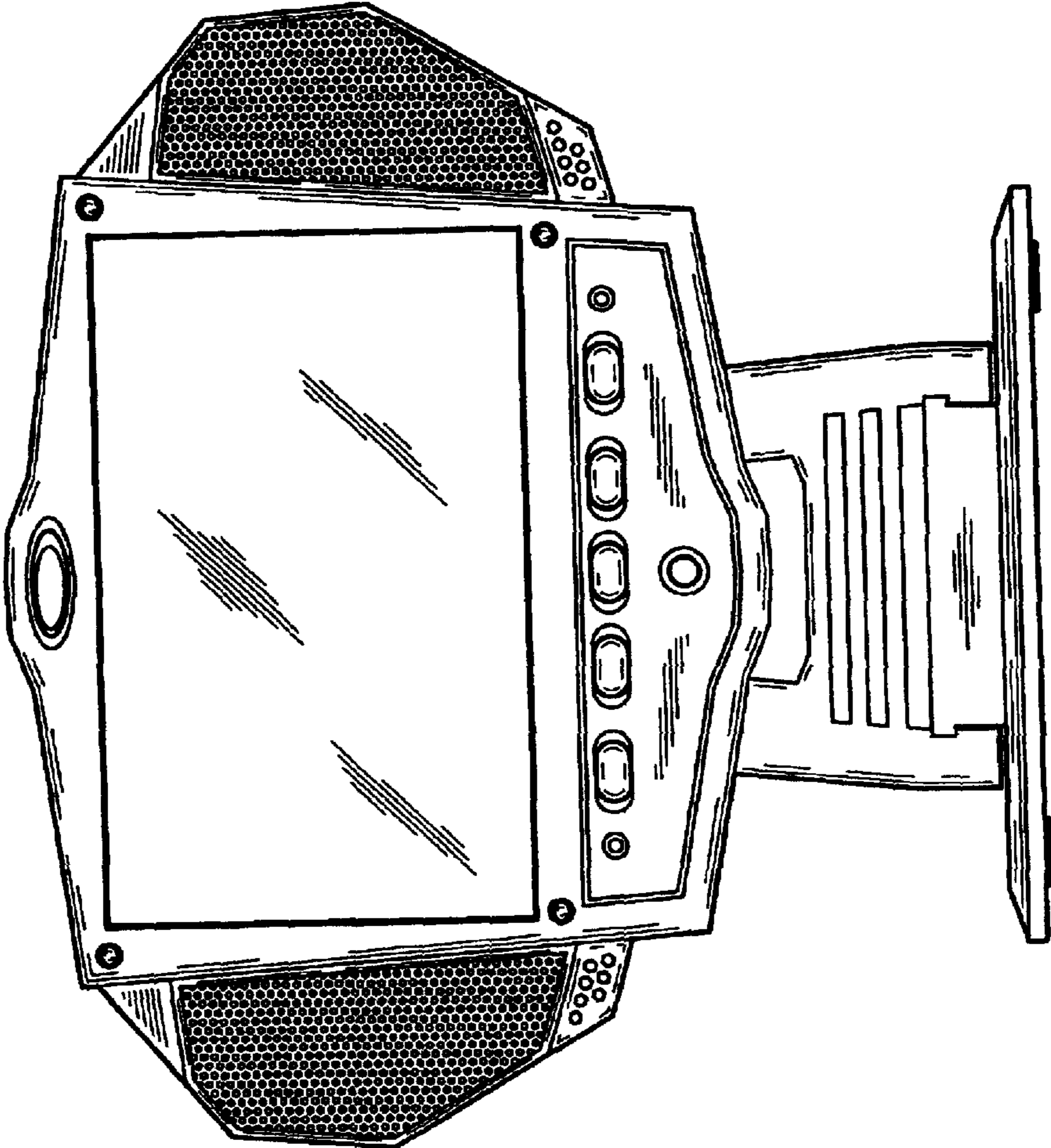


Fig. 2

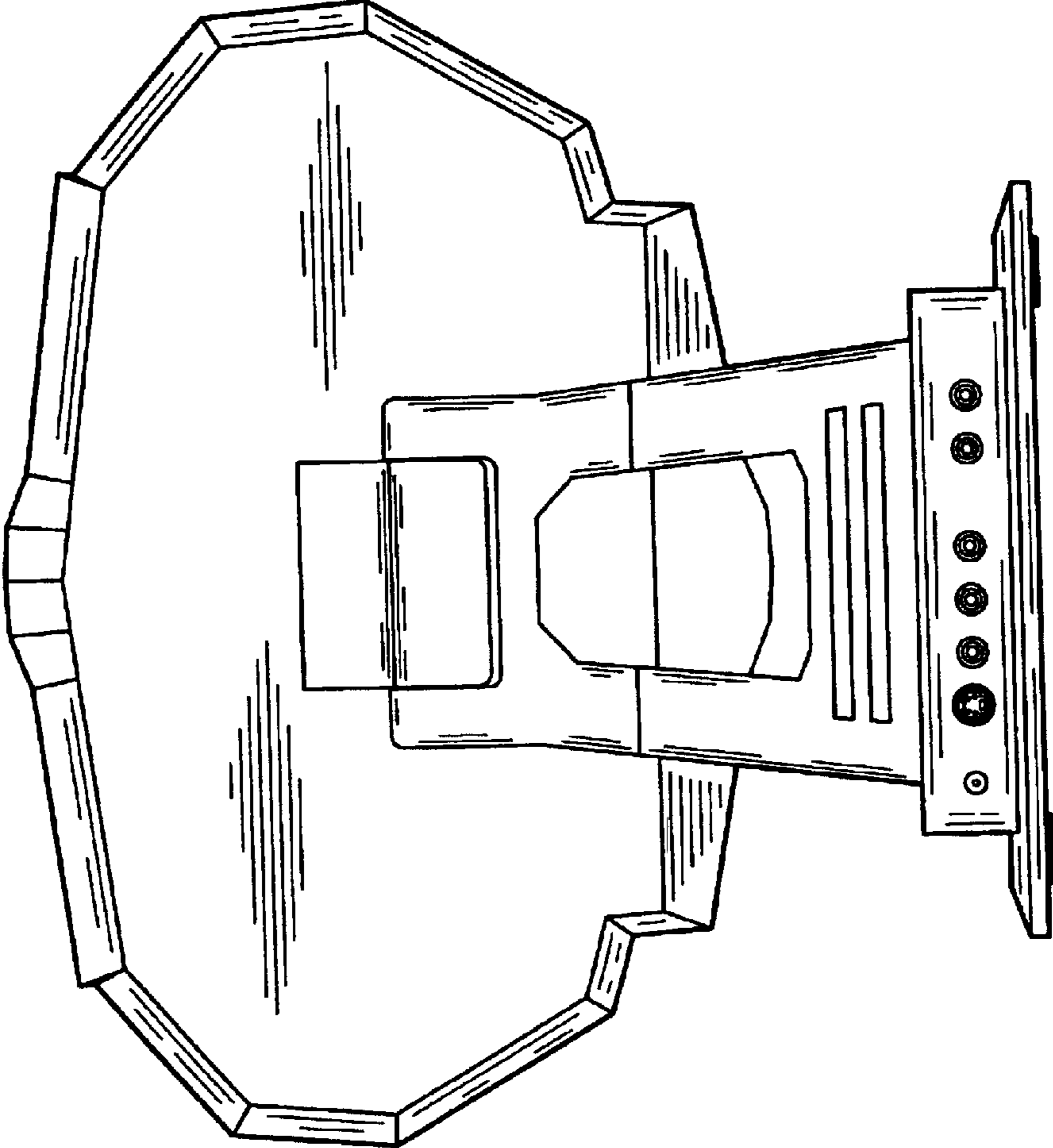


Fig. 3

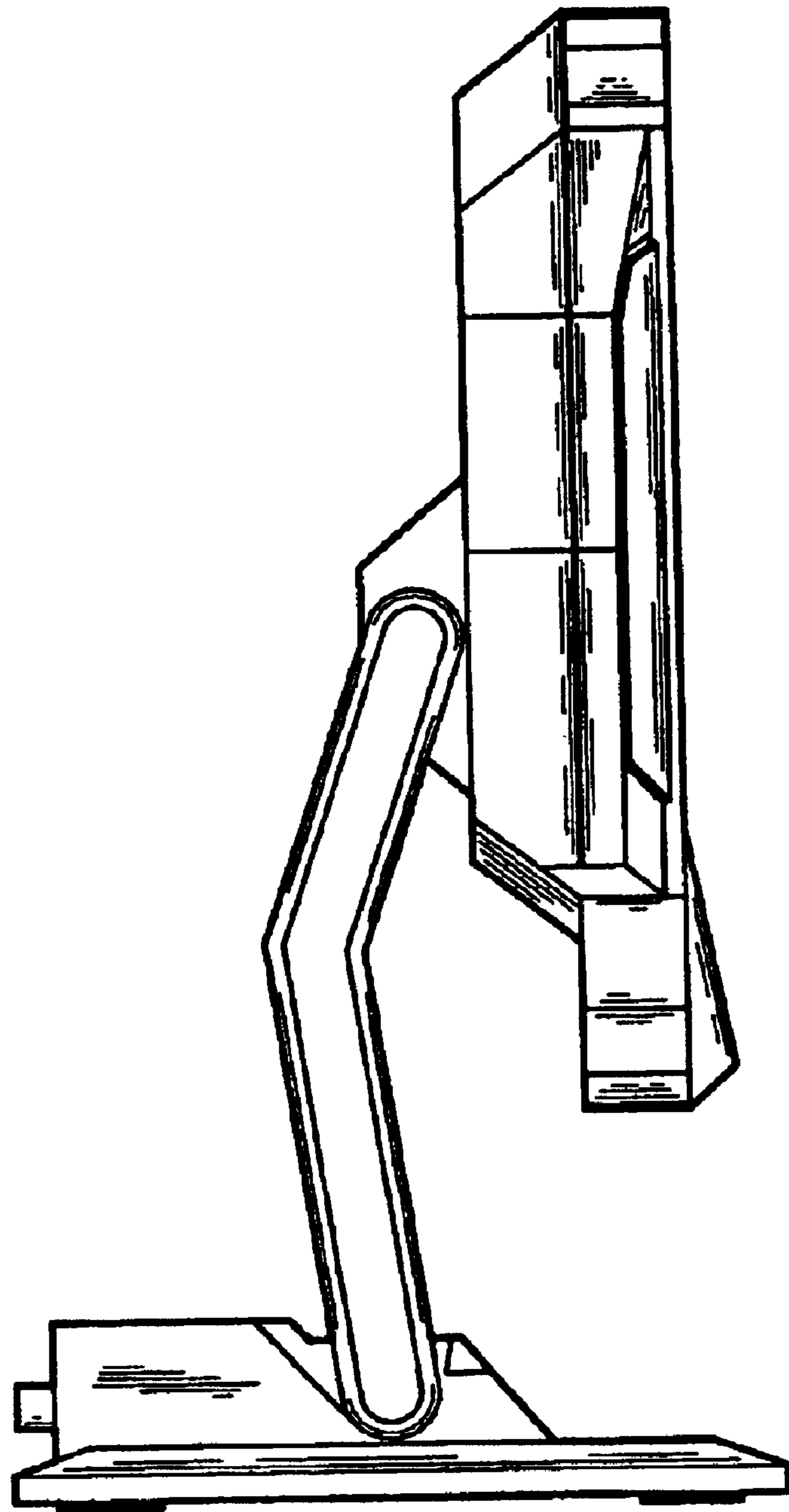


Fig. 4

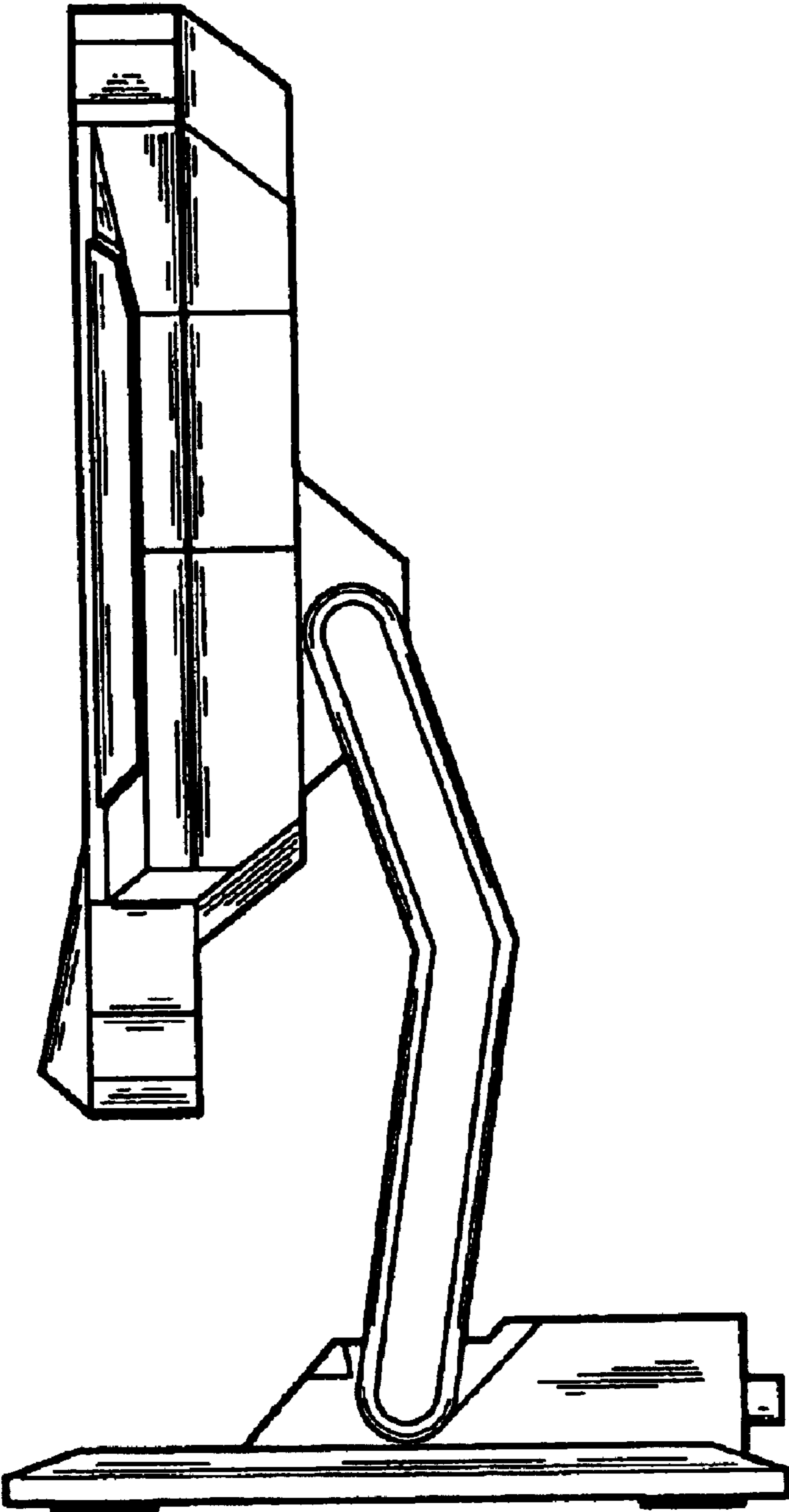


Fig. 5

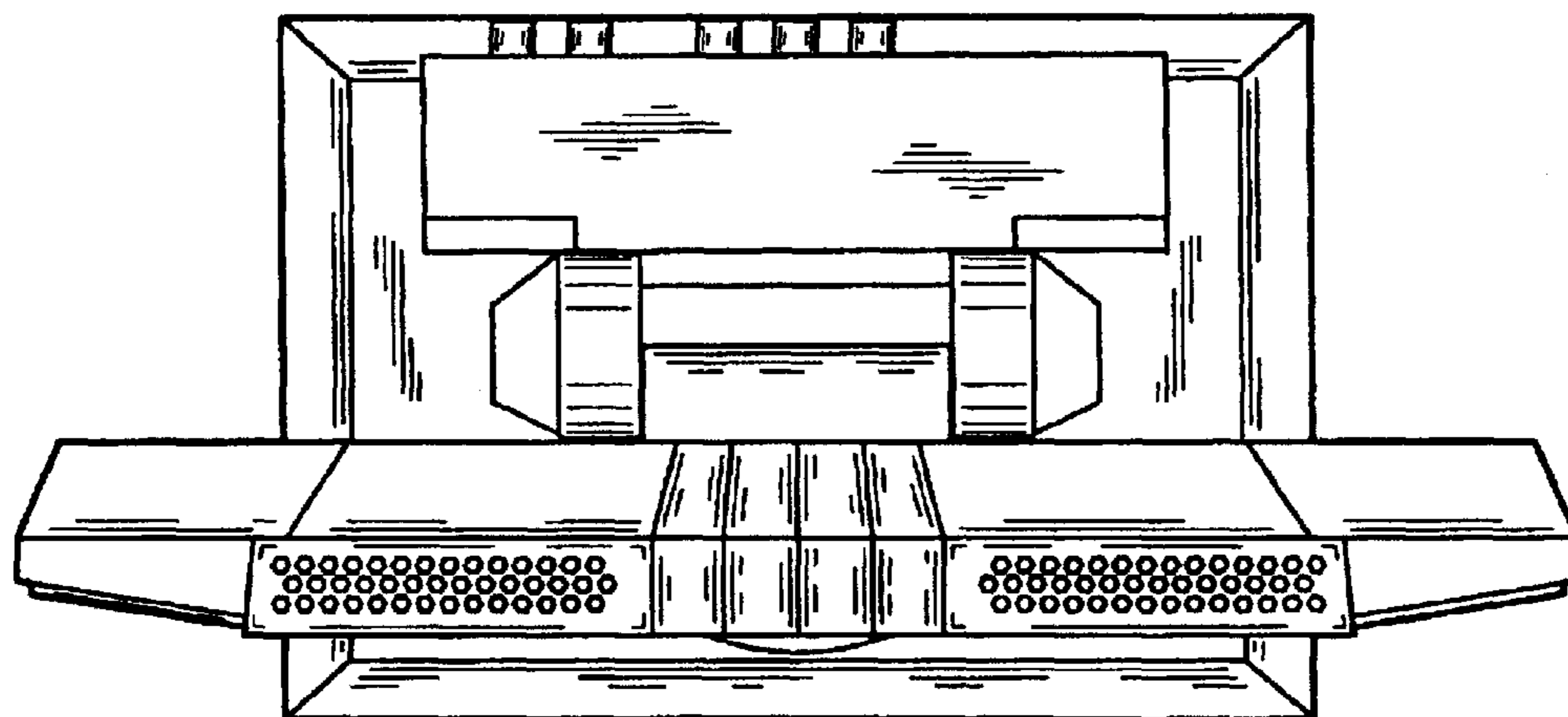


Fig. 6

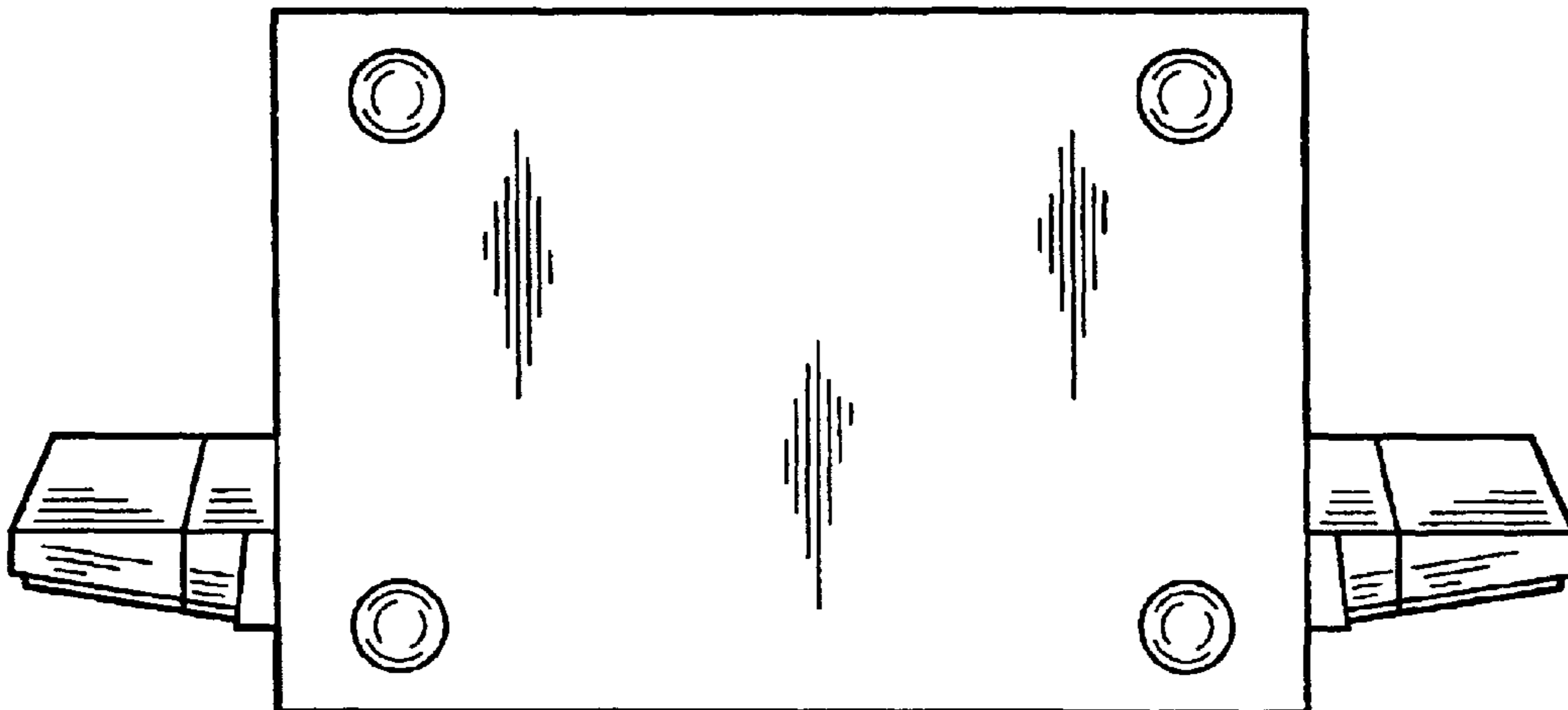


Fig. 7

