

US00D493429S1

(12) **United States Design Patent**  
**Ishida**

(10) **Patent No.:** **US D493,429 S**  
(45) **Date of Patent:** **\*\* Jul. 27, 2004**

- (54) **LIGHT EMITTING DIODE**
- (75) **Inventor:** **Masashi Ishida, Naka-gun (JP)**
- (73) **Assignee:** **Nichia Corporation, Anan (JP)**
- (\*\*) **Term:** **14 Years**
- (21) **Appl. No.:** **29/183,007**
- (22) **Filed:** **Jun. 5, 2003**
- (51) **LOC (7) Cl. .... 13-03**
- (52) **U.S. Cl. .... D13/180**
- (58) **Field of Search .... D13/180, 182;**  
**D10/104, 114; 257/88, 89, 93-96, 98, 99,**  
**678, 687; 313/498, 499, 555, 800; 361/820;**  
**362/152, 226, 241, 249, 250, 800; 372/45;**  
**439/353, 620**

JP	D1171195	4/2003
JP	D1171196	4/2003
JP	D1171709	4/2003
JP	D1171710	4/2003
KR	30-0294490	3/2002
KR	30-0294490-1	3/2002

\* cited by examiner

*Primary Examiner*—Philip S. Hyder  
*Assistant Examiner*—Selina Sikder  
(74) *Attorney, Agent, or Firm*—Smith Patent Office

- (56) **References Cited**
- U.S. PATENT DOCUMENTS**
- 4,580,859 A \* 4/1986 Frano et al. .... 439/353
- 5,475,241 A \* 12/1995 Harrah et al. .... 257/99
- D453,745 S \* 2/2002 Suenaga .... D13/180
- D478,877 S \* 8/2003 Hoshiba .... D13/182
- D482,337 S \* 11/2003 Kamada .... D13/182

**FOREIGN PATENT DOCUMENTS**

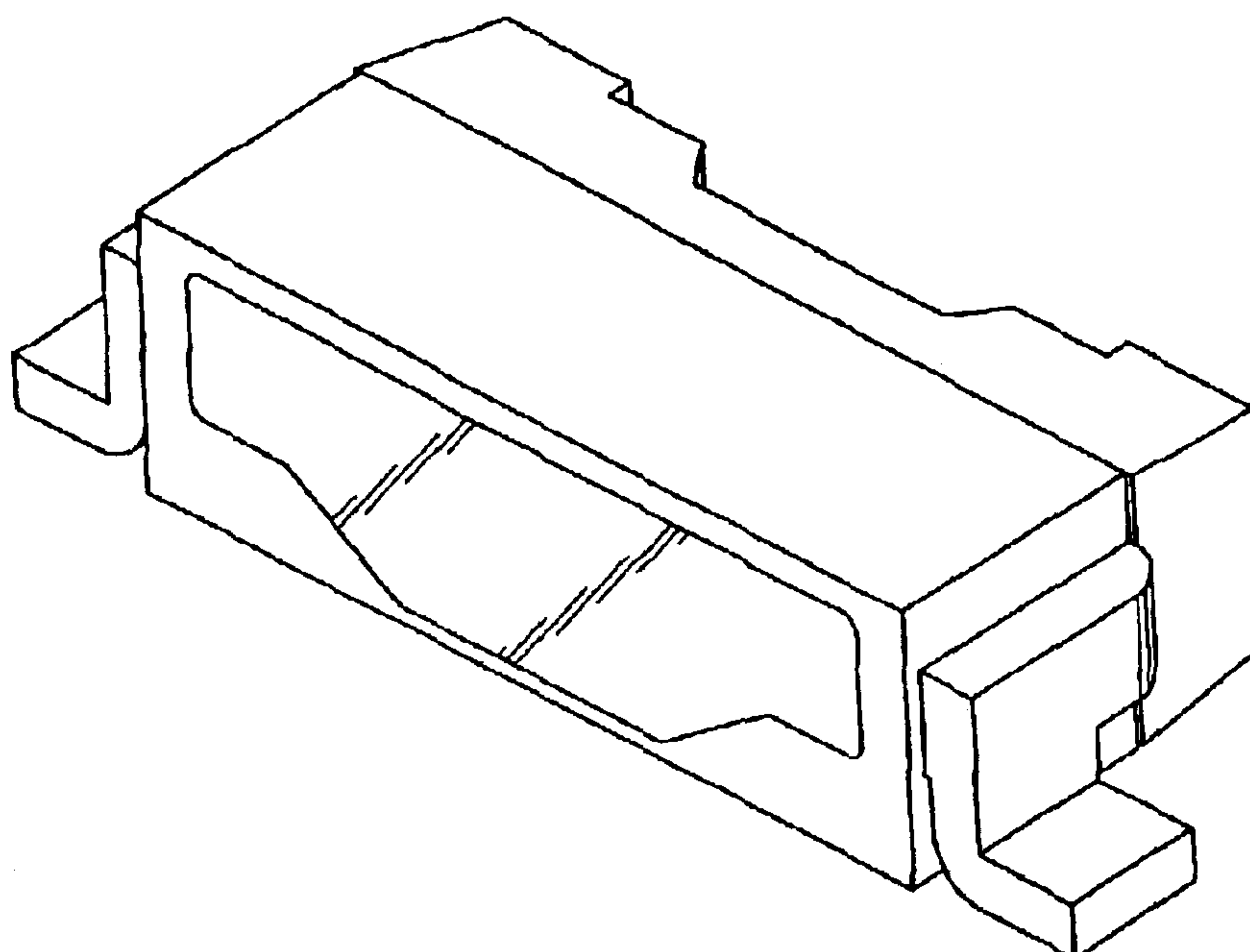
JP	D984224	7/1997
JP	D984224-1	10/1997
JP	D1077515	7/2000
JP	D1170087	4/2003
JP	D1170881	4/2003

(57) **CLAIM**  
I claim the ornamental design for a light emitting diode, as shown and described.

**DESCRIPTION**

FIG. 1 is a perspective view of a light emitting diode showing my design;  
FIG. 2 is a plan view of the light emitting diode according to FIG. 1;  
FIG. 3 is a left view of the light emitting diode according to FIG. 1;  
FIG. 4 is a front elevational view of the light emitting diode according to FIG. 1;  
FIG. 5 is a right view of the light emitting diode according to FIG. 1;  
FIG. 6 is a bottom plan of the light emitting diode according to FIG. 1; and,  
FIG. 7 is a rear elevational view of the light emitting diode according to FIG. 1.

**1 Claim, 2 Drawing Sheets**



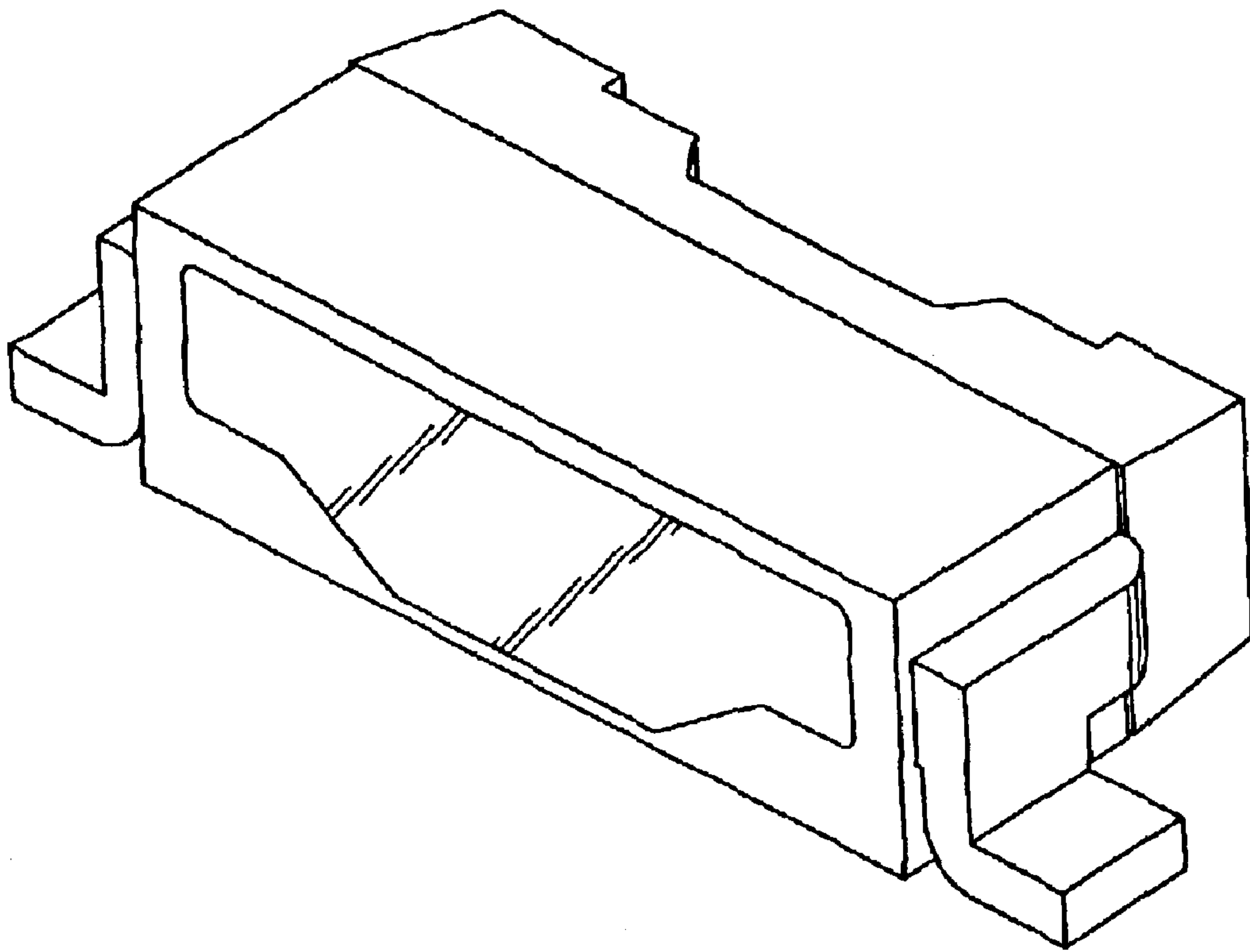


FIG. 1

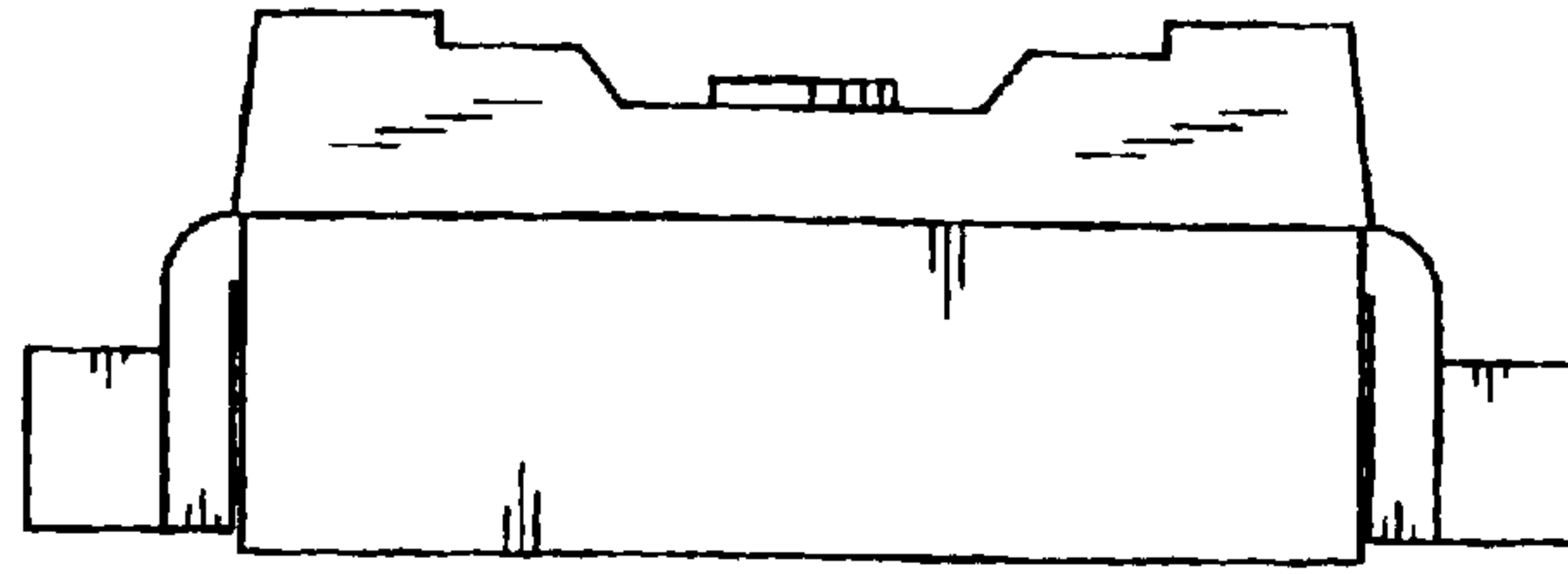


FIG. 2

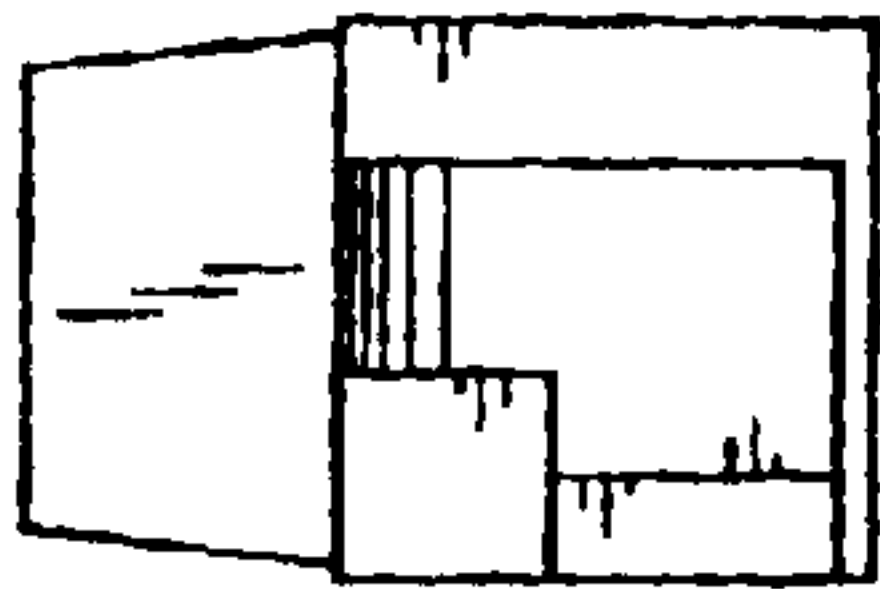


FIG. 3

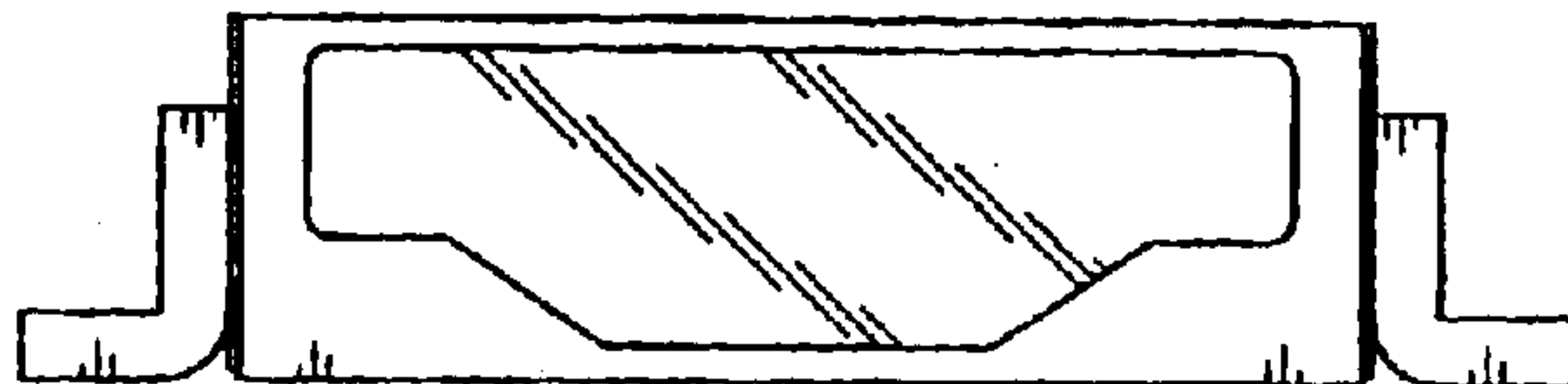


FIG. 4

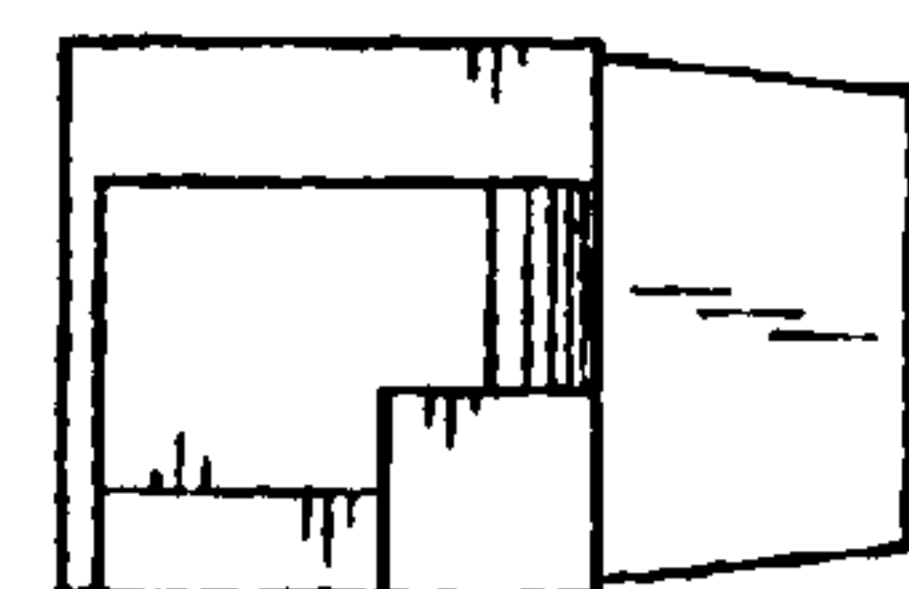


FIG. 5

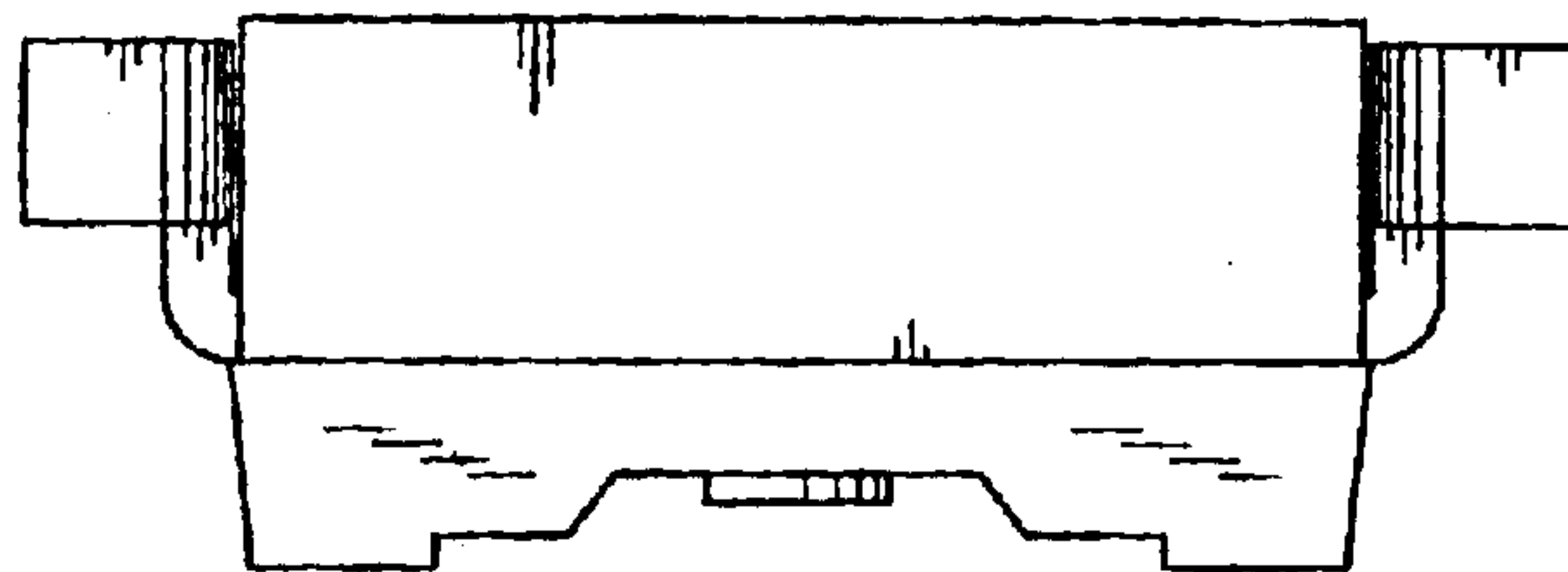


FIG. 6

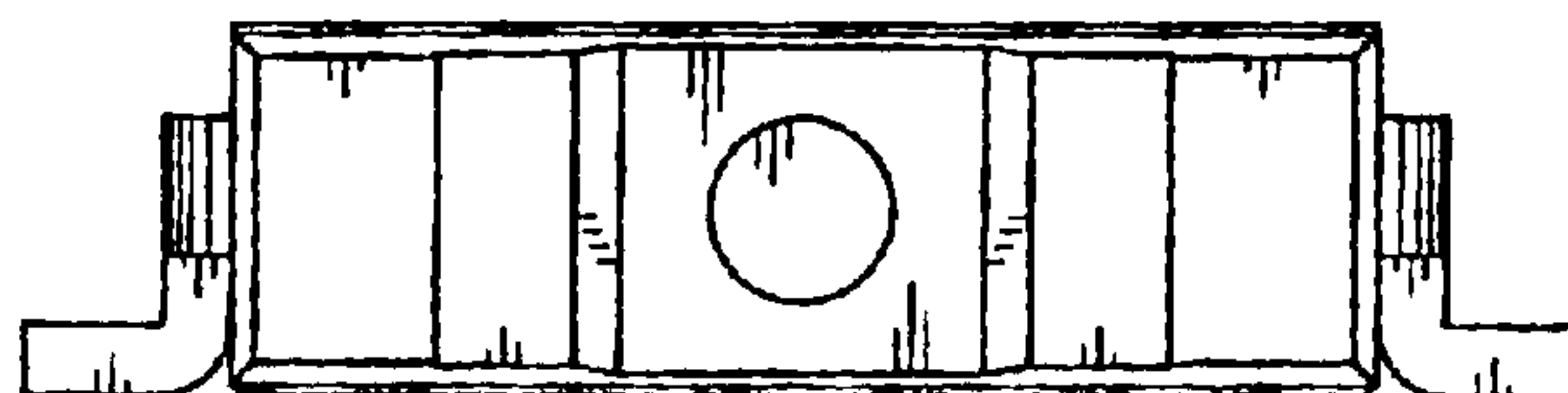


FIG. 7