

US00D493427S1

(12) **United States Design Patent**
Nishio et al.

(10) **Patent No.:** **US D493,427 S**
(45) **Date of Patent:** **** Jul. 27, 2004**

(54) **ELECTRICAL CONNECTOR**

(75) Inventors: **Atsushi Nishio**, Ibaraki-ken (JP);
Takashi Kawasaki, Ibaraki-ken (JP)

(73) Assignee: **Mitsumi Electric Co., Ltd.**, Tokyo (JP)

(**) Term: **14 Years**

(21) Appl. No.: **29/174,809**

(22) Filed: **Jan. 27, 2003**

(30) **Foreign Application Priority Data**

Jul. 26, 2002 (JP) 2002-020037

(51) **LOC (7) Cl.** **13-03**

(52) **U.S. Cl.** **D13/147**

(58) **Field of Search** D13/146, 147;
439/71, 155, 188, 266, 326, 330, 331, 489,
630, 638

(56) **References Cited**

U.S. PATENT DOCUMENTS

4,789,345 A * 12/1988 Carter 439/71
4,846,703 A * 7/1989 Matsuoka et al. 439/71
5,020,998 A * 6/1991 Ikeya et al. 439/266

5,186,641 A * 2/1993 Uratsuji 439/266
5,205,756 A * 4/1993 Myers 439/266
5,387,118 A * 2/1995 Kishi et al. 439/266
D411,828 S * 7/1999 Min D13/147

* cited by examiner

Primary Examiner—Philip S. Hyder

Assistant Examiner—Selina Sikder

(74) *Attorney, Agent, or Firm*—Sughrue Mion, PLLC

(57) **CLAIM**

The ornamental design for an electrical connector, as shown.

DESCRIPTION

FIG. 1 is a perspective view of the top, front and right side of an electrical connector showing our new design;

FIG. 2 is a perspective view of the bottom, rear and left side view thereof;

FIG. 3 is a top plan view thereof;

FIG. 4 is a front elevational view thereof;

FIG. 5 is a right side elevational view thereof;

FIG. 6 is a left side elevational view thereof;

FIG. 7 is a rear elevational view thereof; and,

FIG. 8 is a bottom plan view thereof.

1 Claim, 5 Drawing Sheets

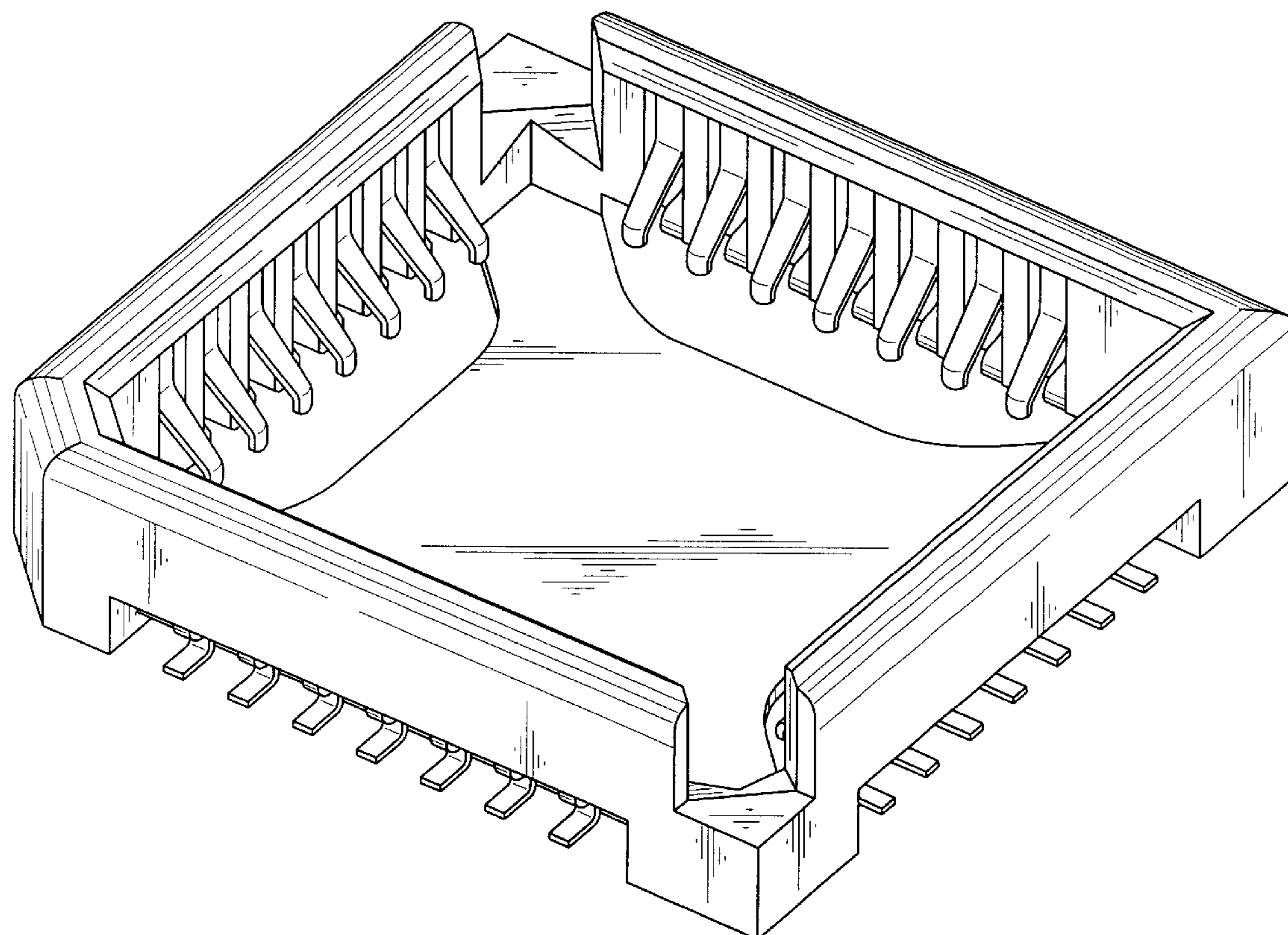


FIG. 1

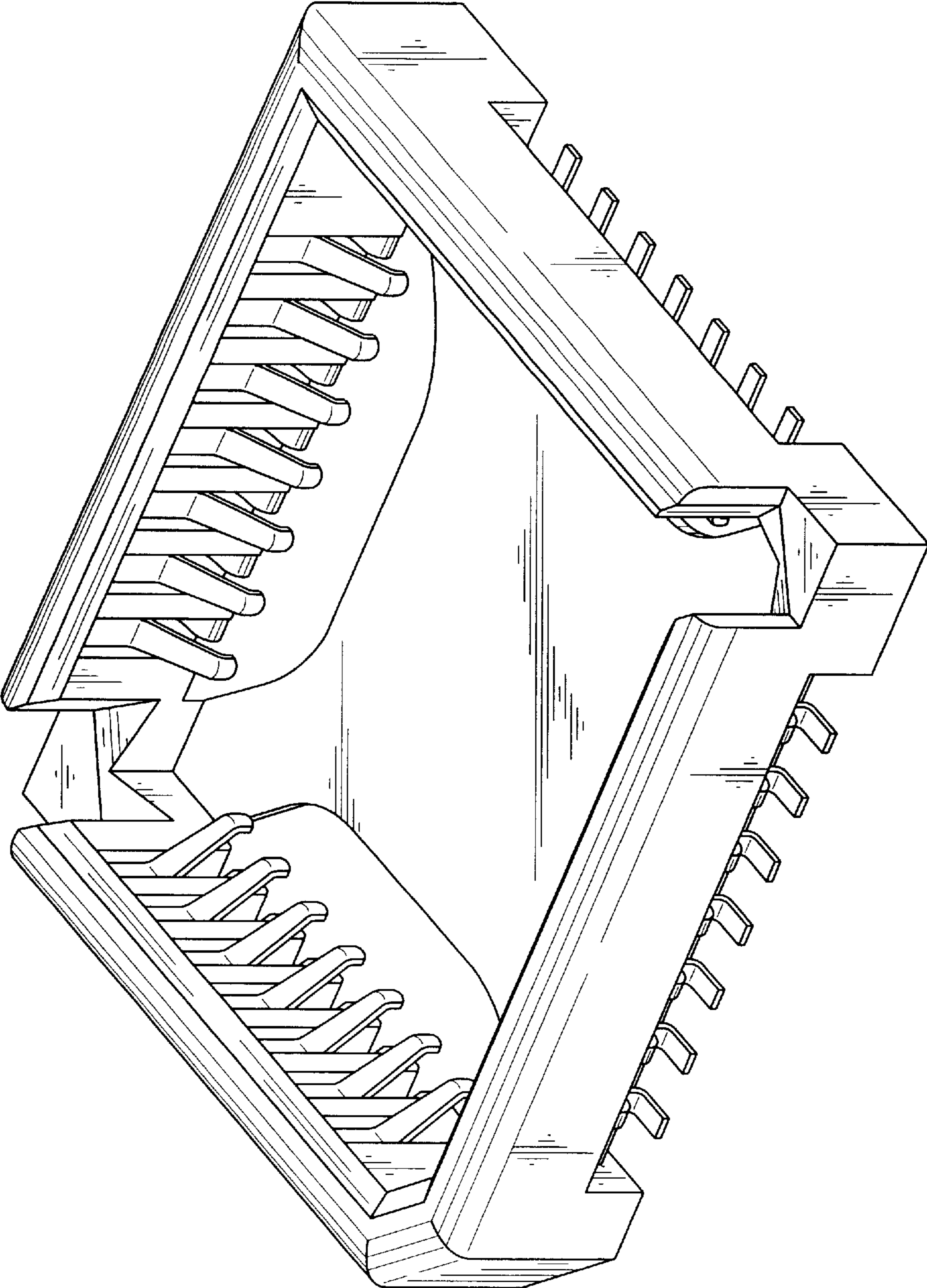


FIG. 2

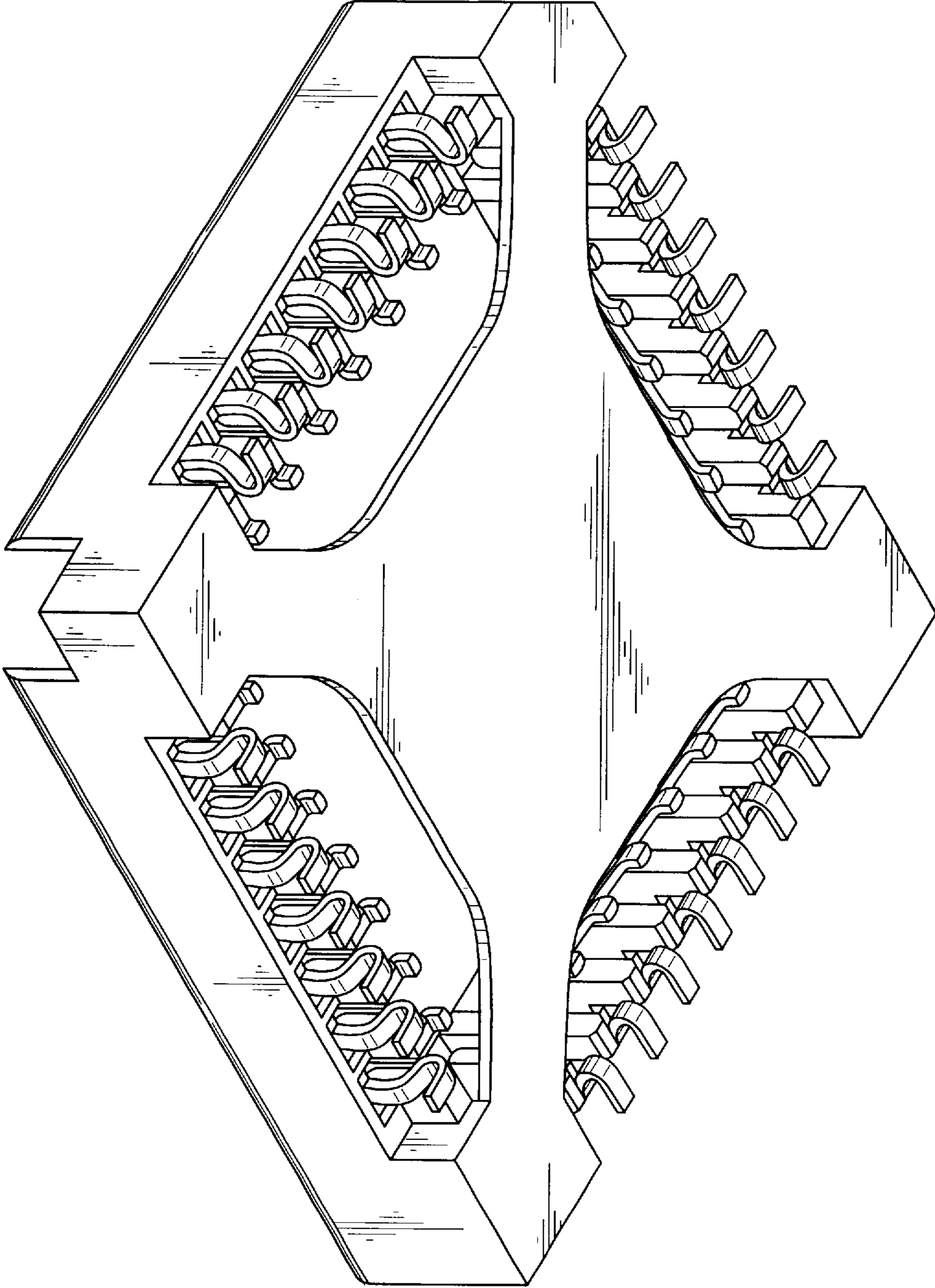


FIG. 3

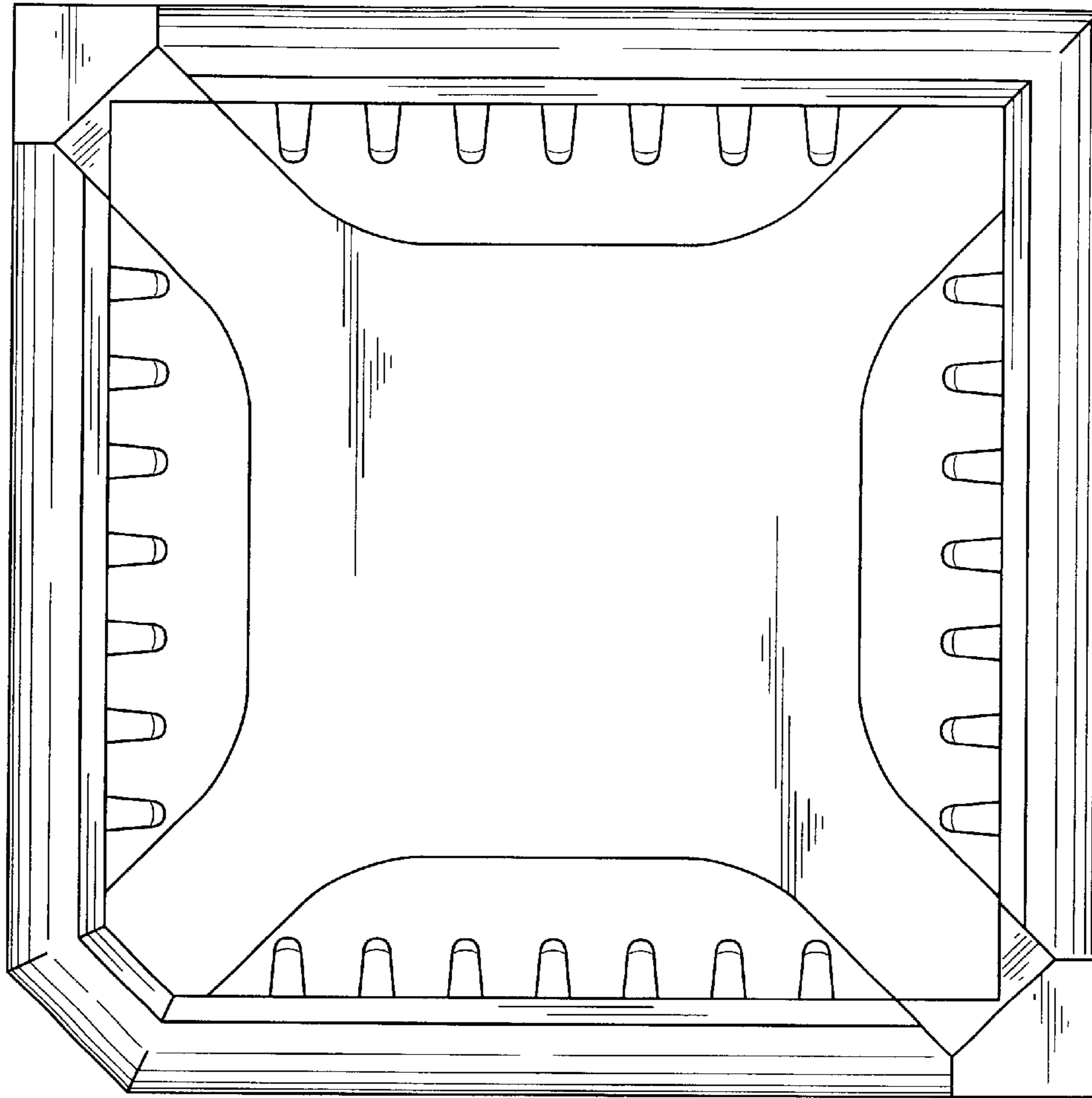


FIG. 4



FIG. 5

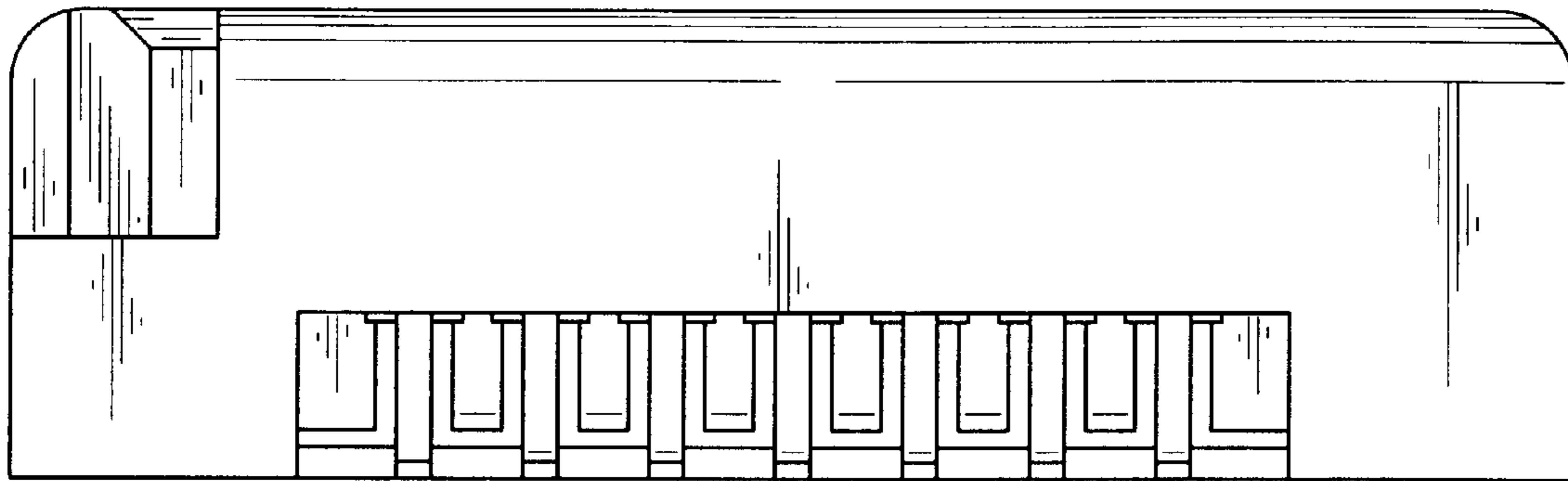


FIG. 6

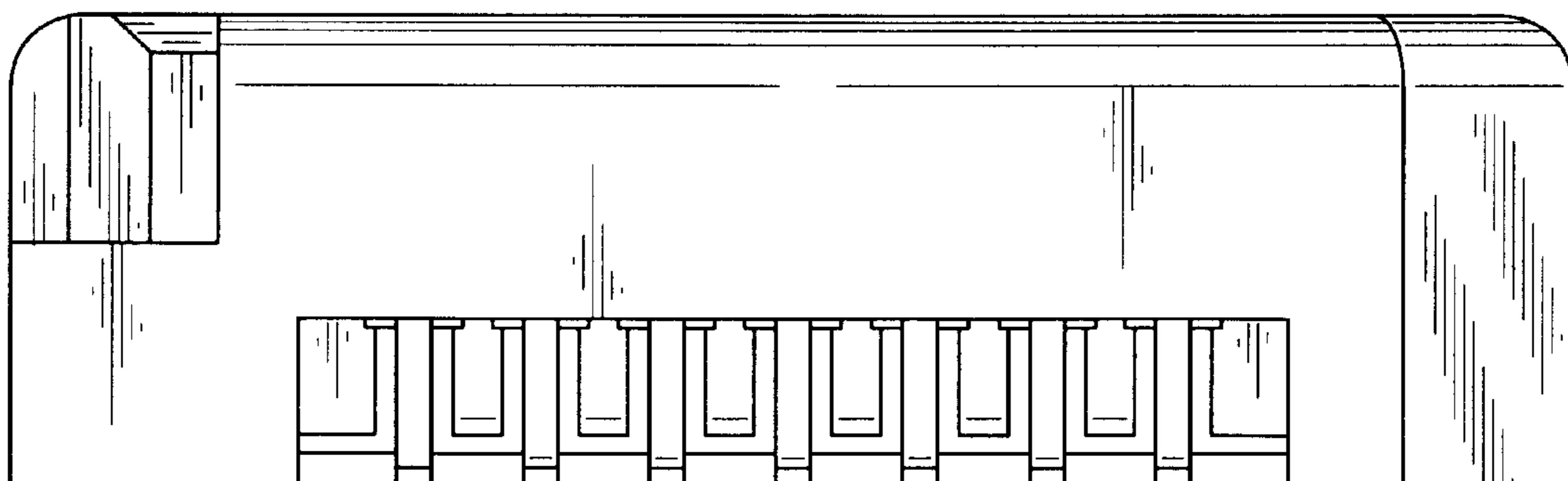


FIG. 7



FIG. 8

