

US00D493426S1

(12) **United States Design Patent**
Strayer

(10) **Patent No.:** **US D493,426 S**

(45) **Date of Patent:** **** Jul. 27, 2004**

(54) **POWER AND COMMUNICATION HUB**

2002/0185295 A1 * 12/2002 Metcalf 174/53
2003/0186582 A1 * 10/2003 Laukhuf et al. 439/535

(75) **Inventor:** **Mark Strayer, Lamar, MO (US)**

* cited by examiner

(73) **Assignee:** **O'Sullivan Industries, Inc., Lamar, MO (US)**

Primary Examiner—Joel Sincavage

(74) *Attorney, Agent, or Firm*—Haynes and Boone, LLP

(**) **Term:** **14 Years**

(57) **CLAIM**

(21) **Appl. No.:** **29/191,589**

The ornamental design for a power and communication hub, as shown and described.

(22) **Filed:** **Oct. 10, 2003**

DESCRIPTION

(51) **LOC (7) Cl.** **13-03**

(52) **U.S. Cl.** **D13/139.4**

(58) **Field of Search** D13/139.1, 139.4,
D13/139.6; 439/131, 535; 174/53

FIG. 1 is a perspective view of a power and communication hub showing my new design;
FIG. 2 is a front view thereof;
FIG. 3 is a right view thereof;
FIG. 4 is a left view thereof;
FIG. 5 is a rear view thereof;
FIG. 6 is a top view thereof; and,
FIG. 7 is a bottom view thereof.

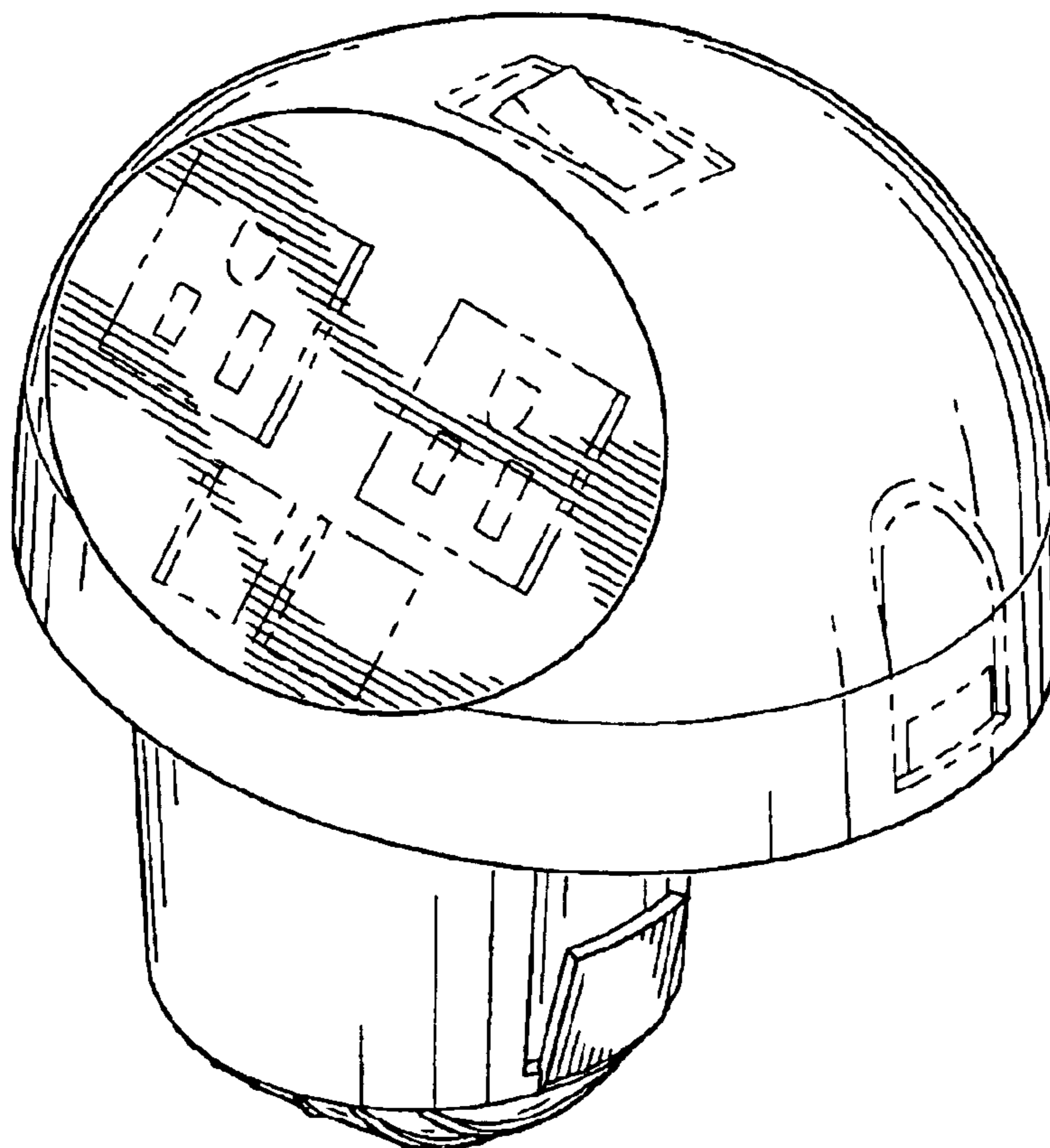
(56) **References Cited**

U.S. PATENT DOCUMENTS

D325,723 S	*	4/1992	Gary et al.	D13/139.4
D399,826 S	*	10/1998	Byrne	D13/146
D409,980 S	*	5/1999	Byrne	D13/137.1
D418,814 S	*	1/2000	Byrne	D13/146
D418,815 S	*	1/2000	Byrne	D13/146
D466,086 S	*	11/2002	Metcalf	D13/152
D467,874 S	*	12/2002	Rupert	D13/139.4

The broken lines throughout the drawing figures are included for the purpose of illustrating portions of the hub that form no part of the claimed design.

1 Claim, 3 Drawing Sheets



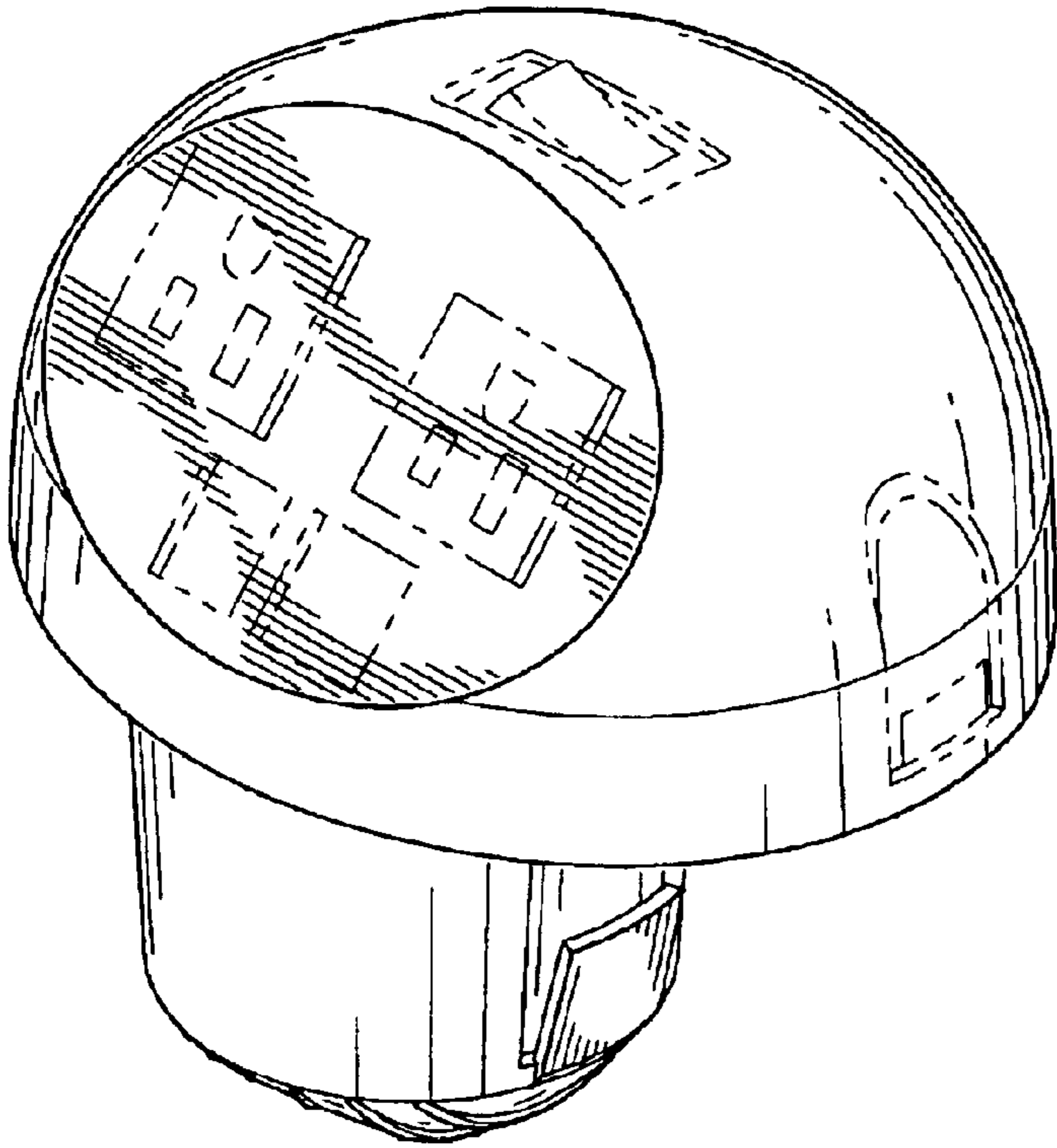


Fig. 1

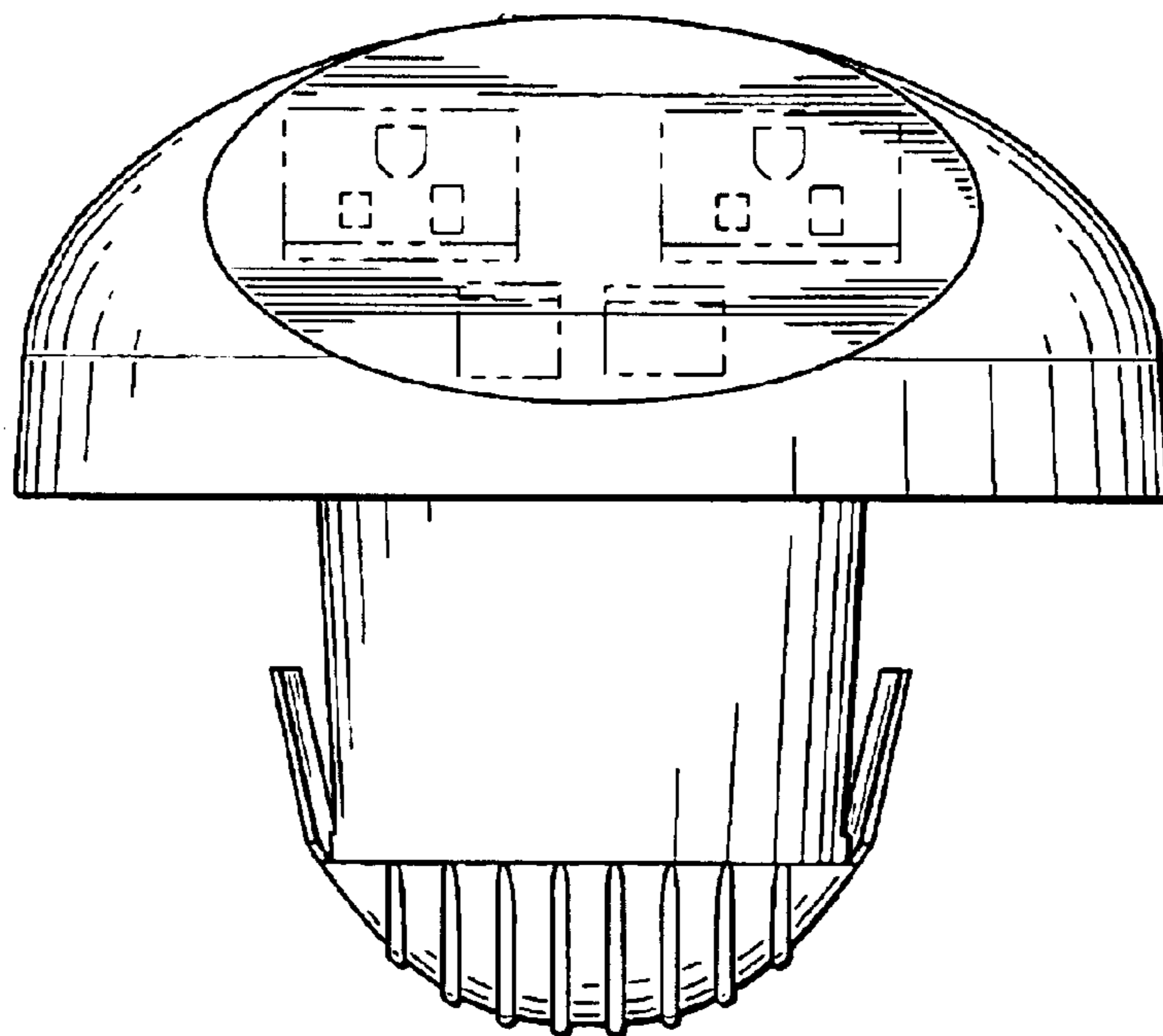


Fig. 2

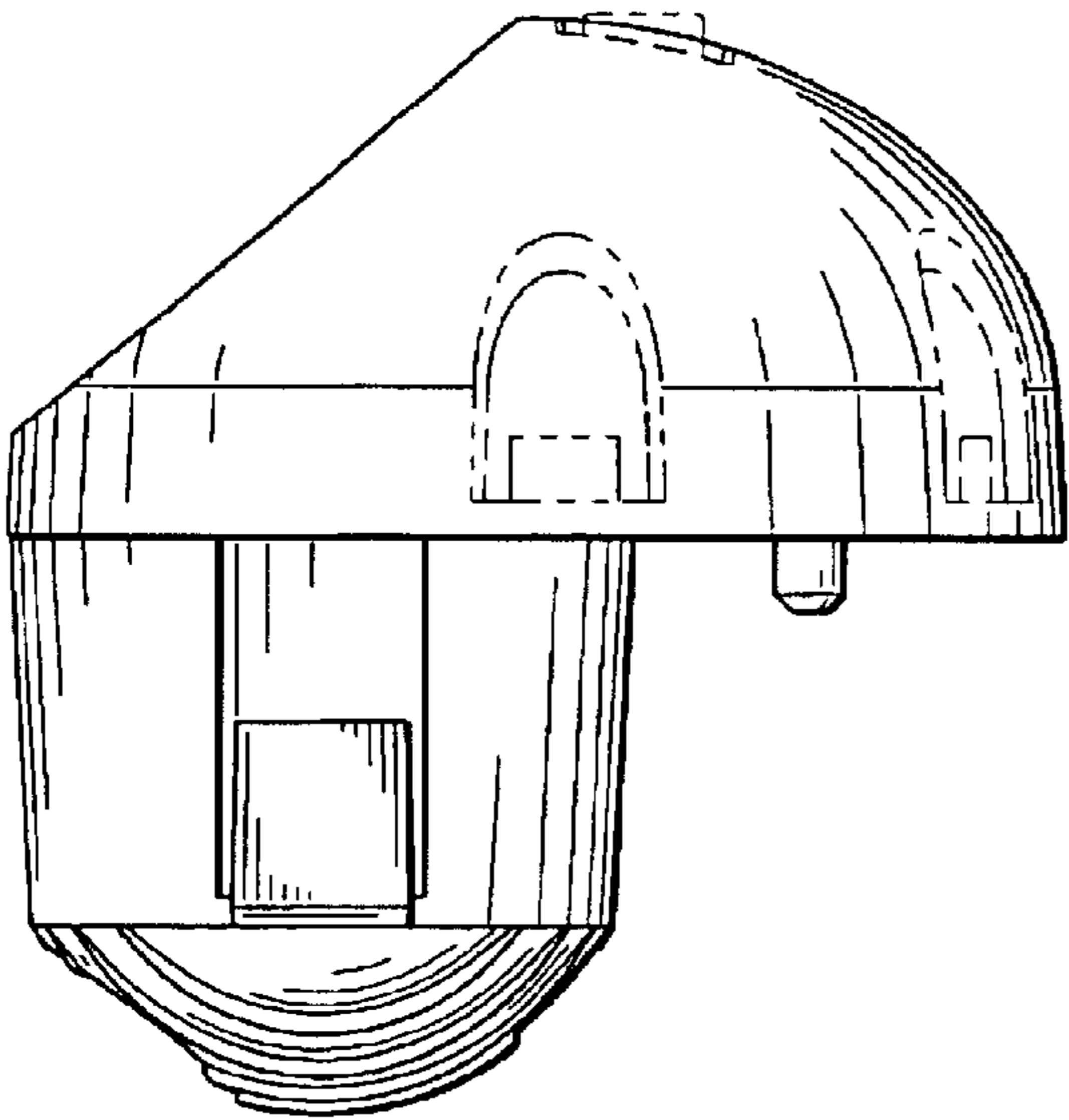


Fig. 3

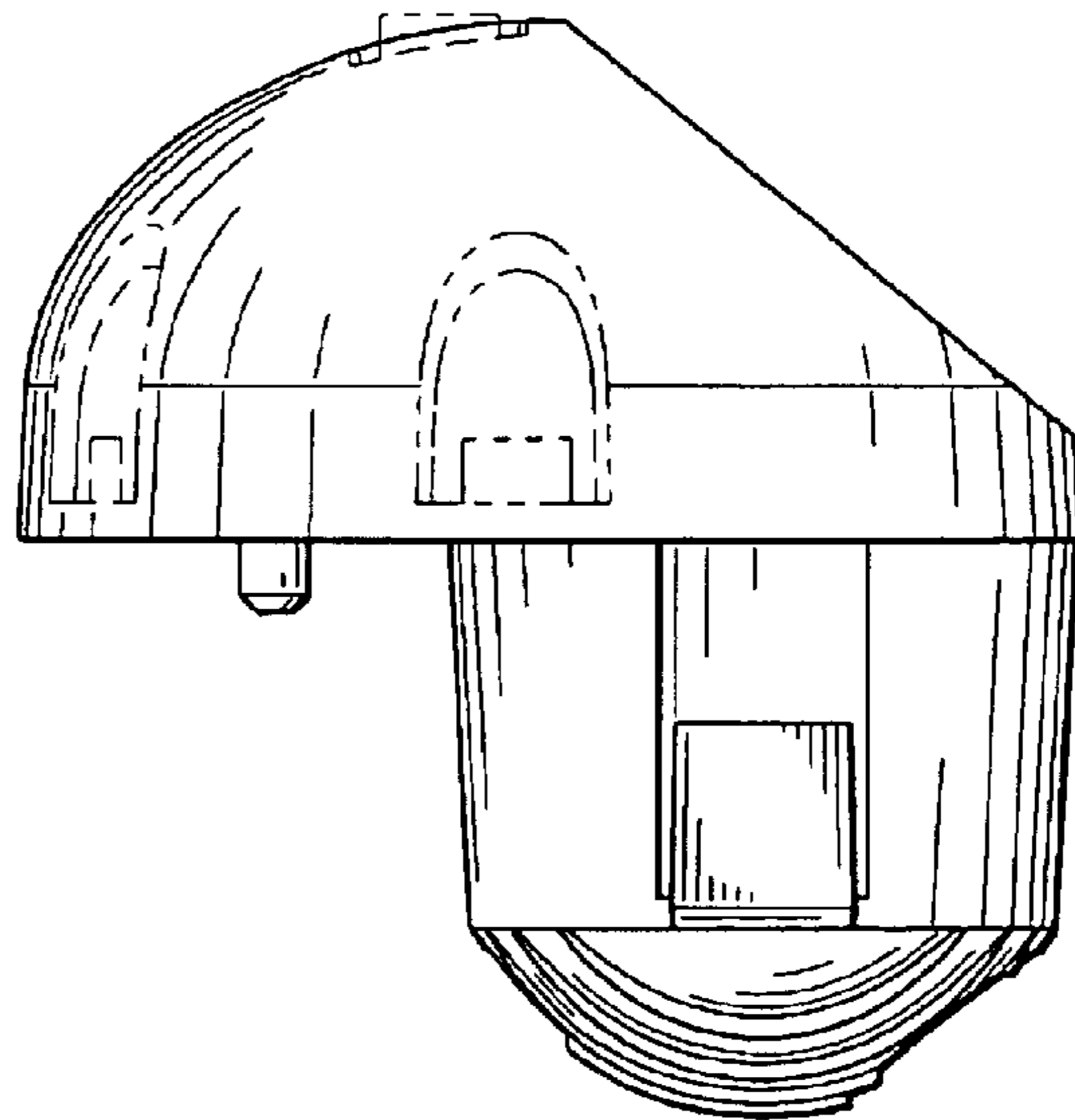


Fig. 4

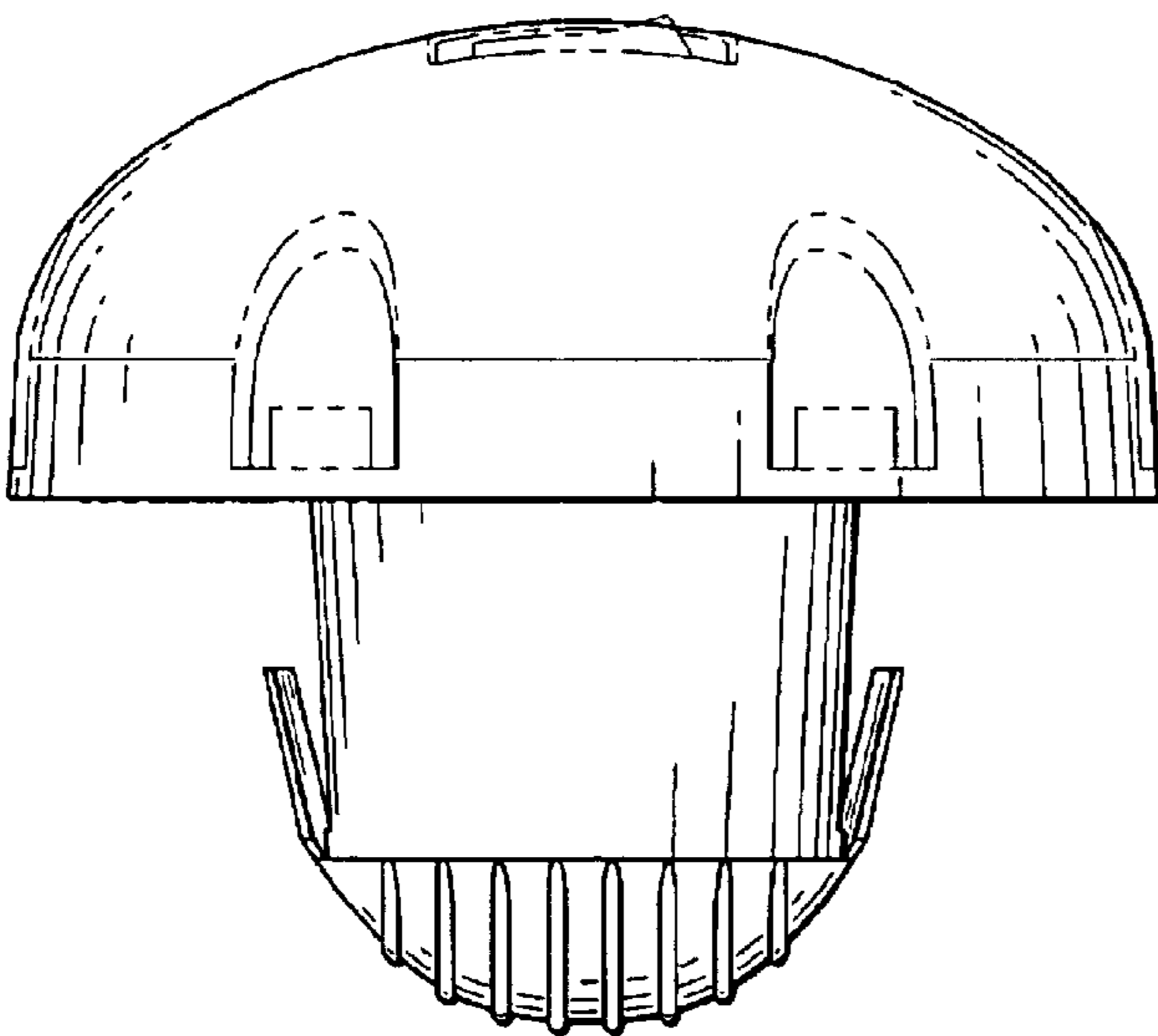


Fig. 5

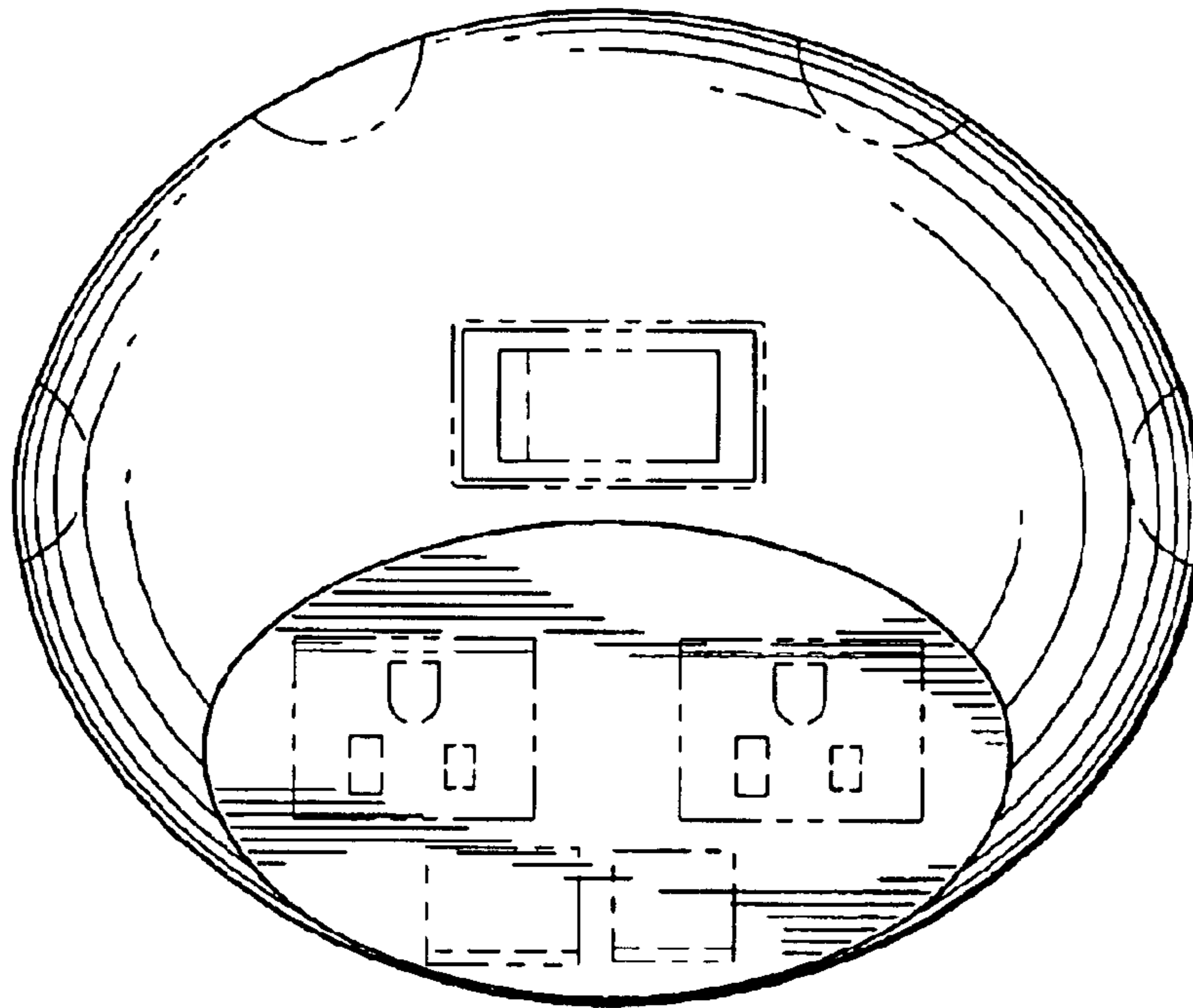


Fig. 6

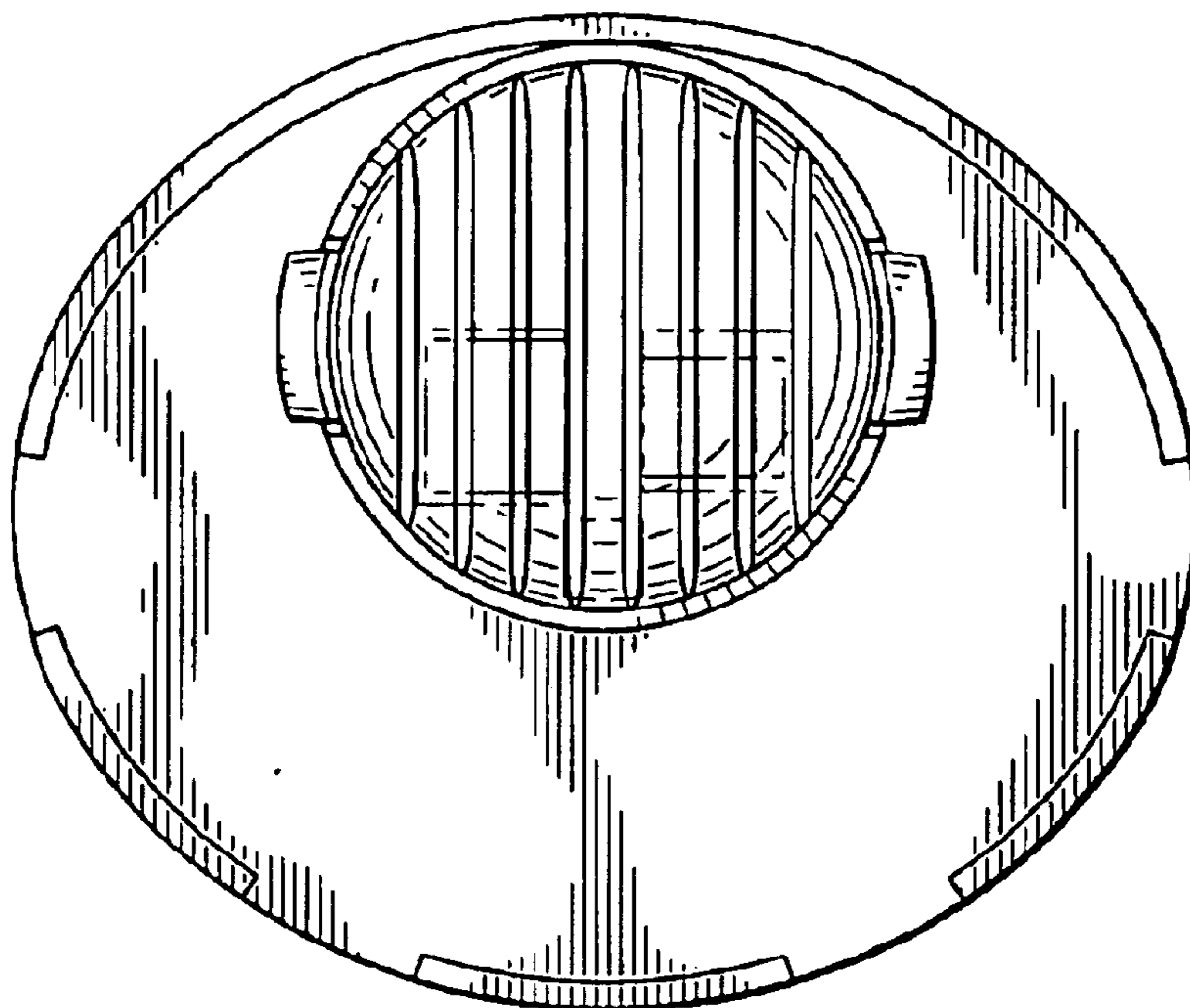


Fig. 7