

US00D493425S1

(12) **United States Design Patent**
Henrici et al.

(10) **Patent No.:** **US D493,425 S**

(45) **Date of Patent:** **** Jul. 27, 2004**

(54) **PUSH TYPE LAMP MOUNT**

(75) Inventors: **Dieter Henrici**, Arnsberg (DE);
Hartmut Greschner, Arnsberg (DE)

(73) Assignee: **BJB GmbH & Co. KG**, Arnsberg (DE)

(**) Term: **14 Years**

(21) Appl. No.: **29/170,707**

(22) Filed: **Nov. 12, 2002**

(51) **LOC (7) Cl.** **13-03**

(52) **U.S. Cl.** **D13/134; D26/138**

(58) **Field of Search** **D13/134; D26/138;**
362/217, 221, 226, 260, 368, 147; 439/236,
239

(56) **References Cited**

U.S. PATENT DOCUMENTS

4,198,109 A * 4/1980 Ustin 439/239
4,992,915 A * 2/1991 Meister 362/217

5,469,348 A * 11/1995 Wong 362/217
5,904,415 A * 5/1999 Robertson et al. 362/260
D440,941 S * 4/2001 Parekh D13/134

* cited by examiner

Primary Examiner—Jennifer Rivard

(74) *Attorney, Agent, or Firm*—Herbert Dubno

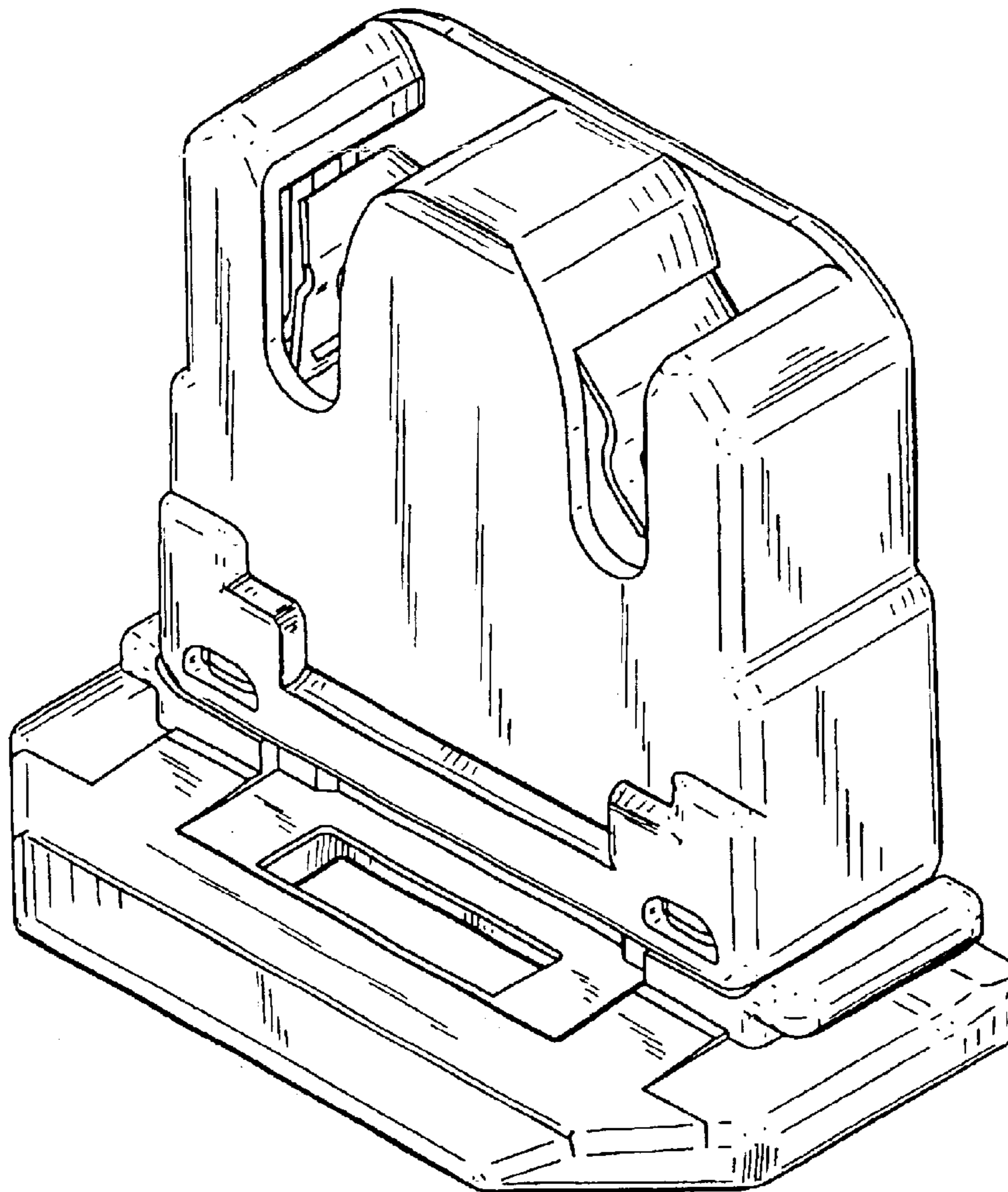
(57) **CLAIM**

The ornamental design for a push type lamp mount, as shown and described.

DESCRIPTION

FIG. 1 is a front right side top perspective view of a push type lamp mount showing our new design; FIG. 2 is a front elevational view thereof; FIG. 3 is a top plan view thereof; FIG. 4 is a rear view thereof; FIG. 5 is a bottom plan view thereof; FIG. 6 is a right side elevational view thereof; and, FIG. 7 is a left side elevational view thereof.

1 Claim, 4 Drawing Sheets



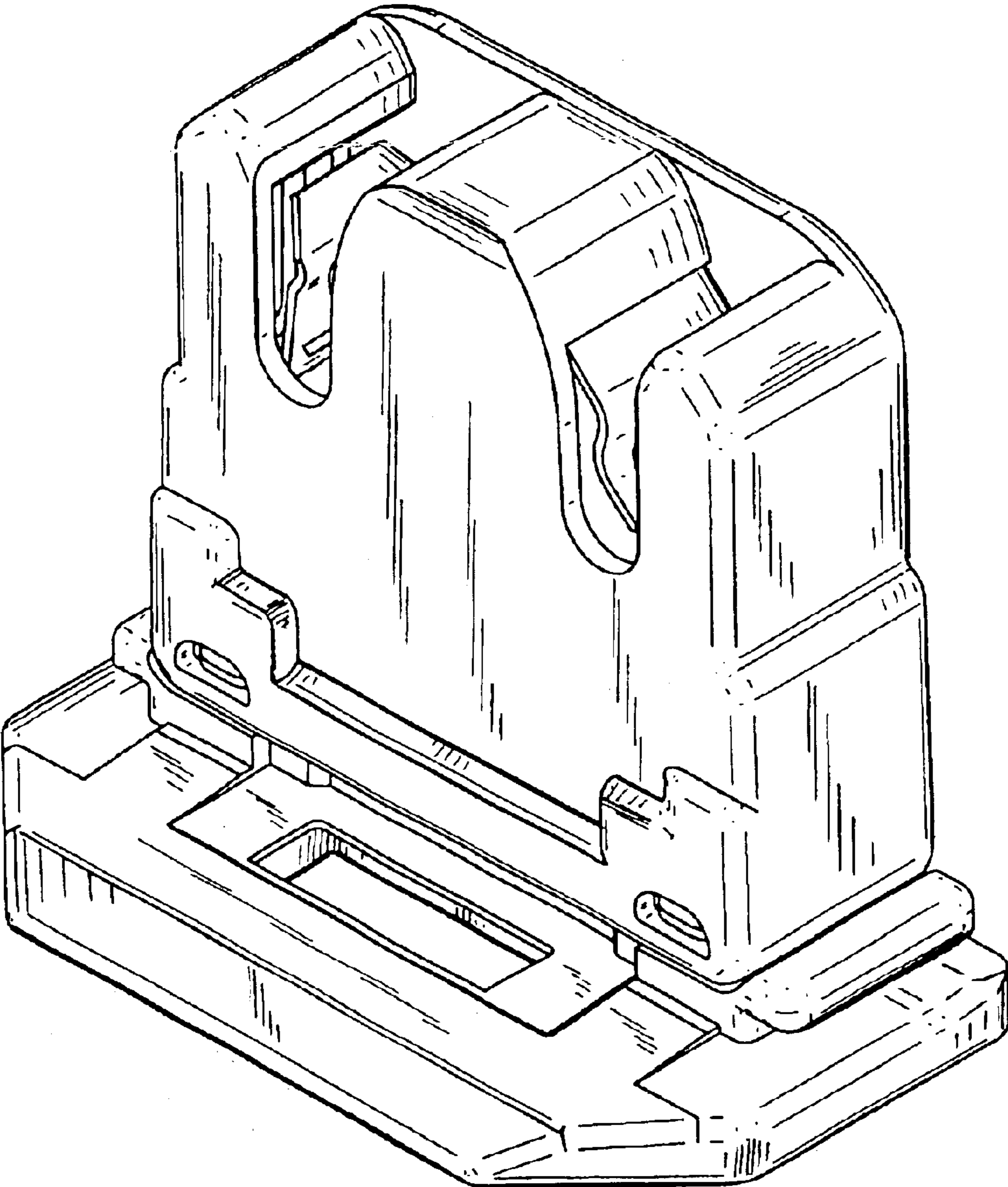


FIG.1

FIG.2

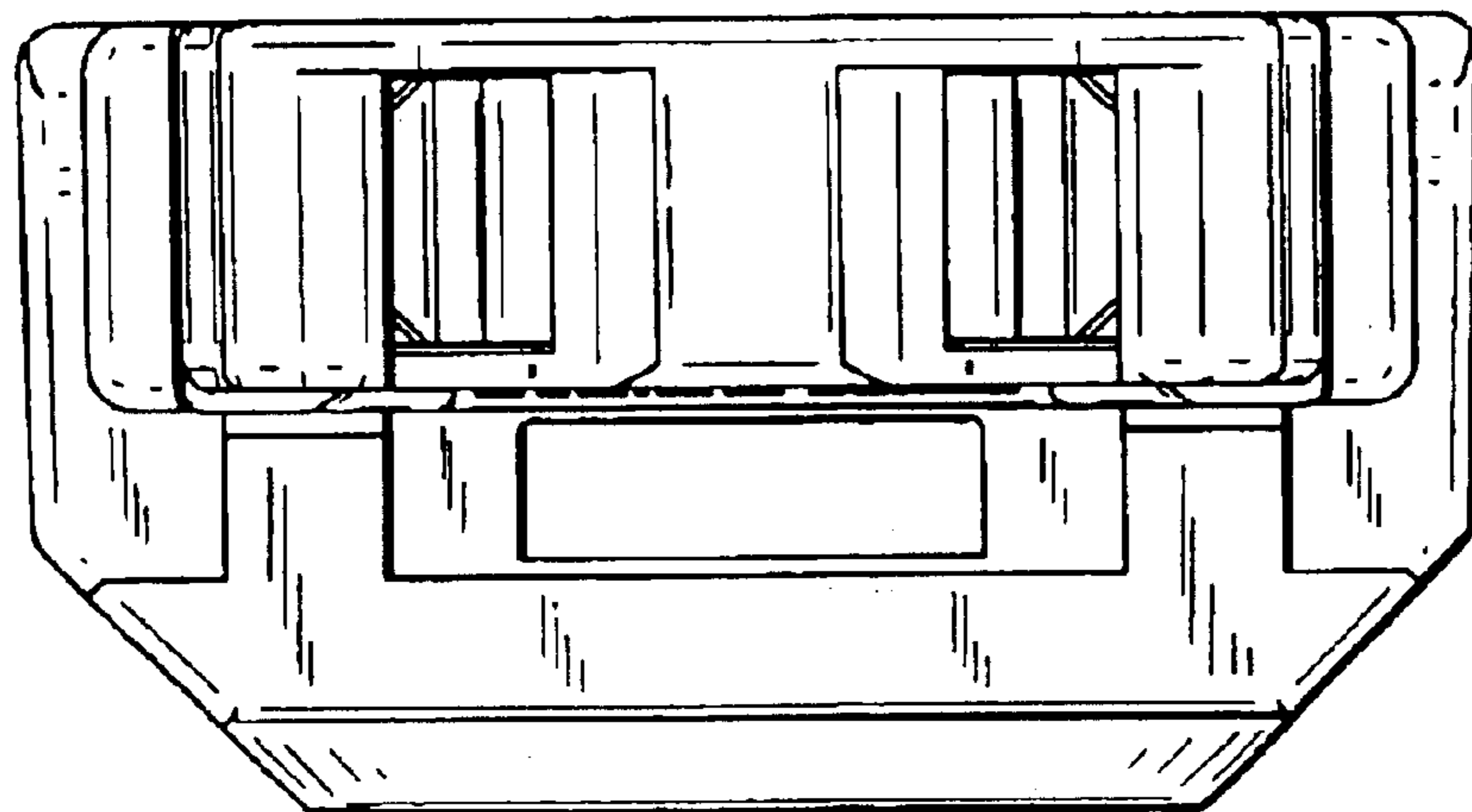
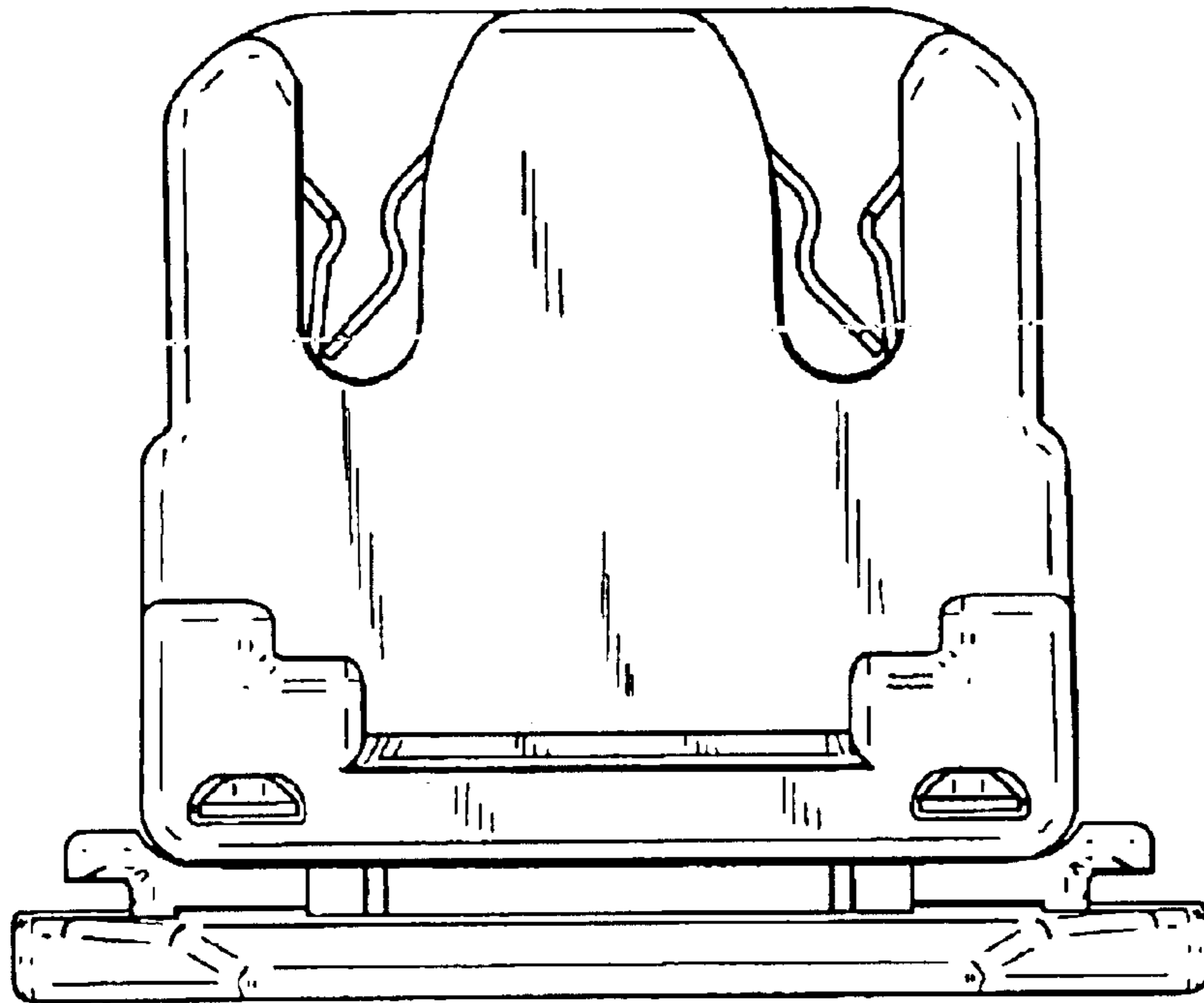


FIG.3

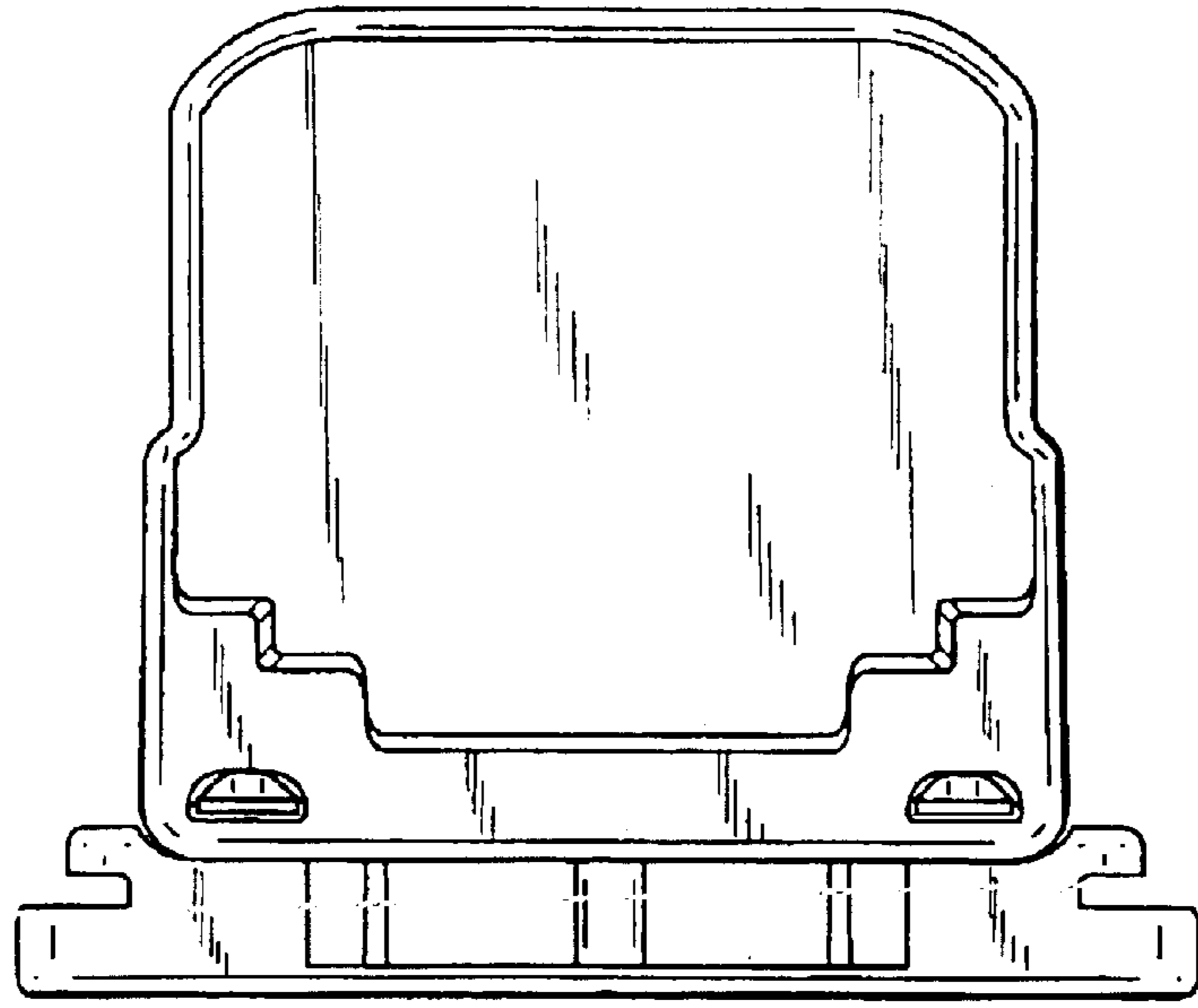


FIG. 4

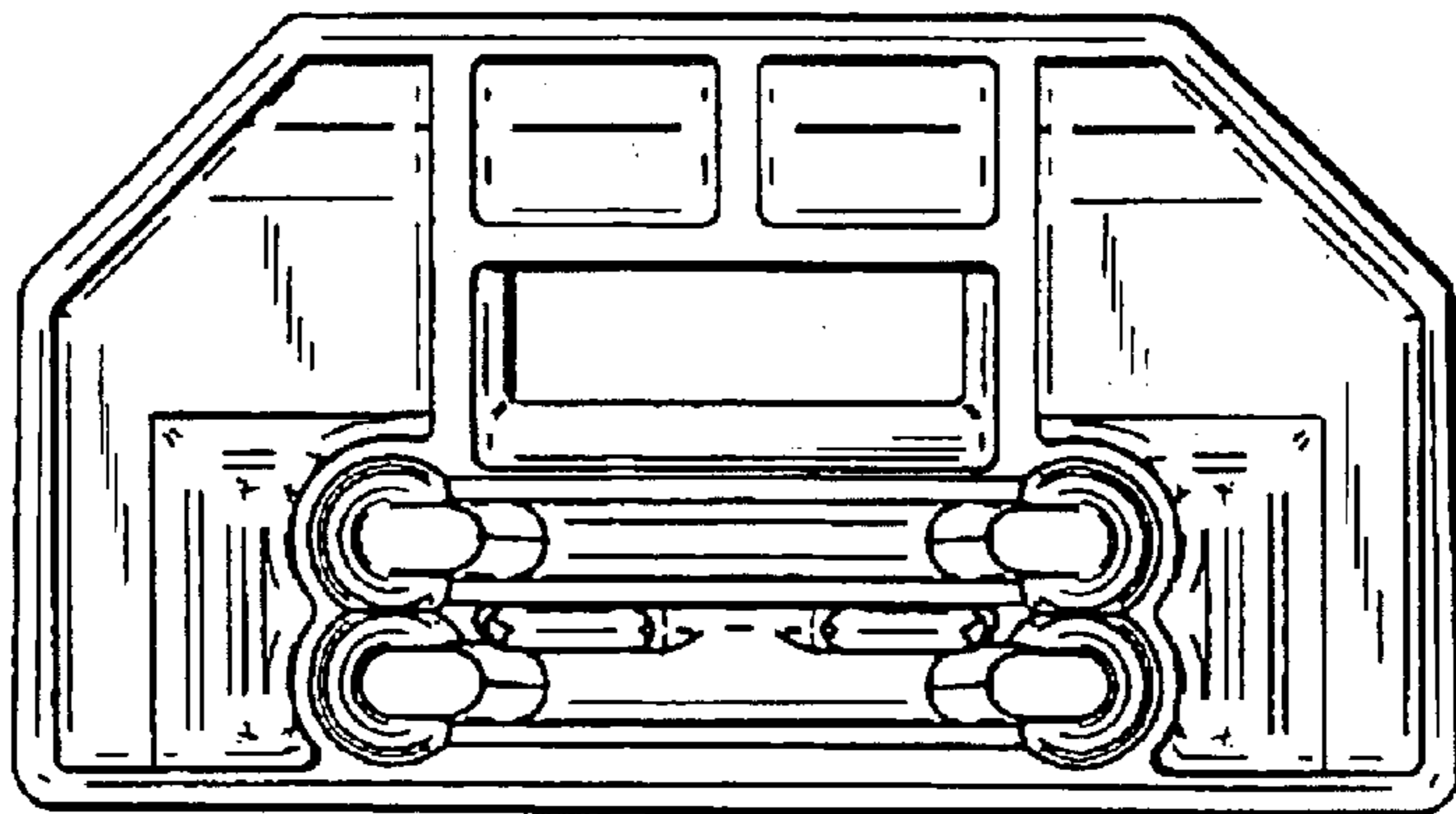


FIG. 5

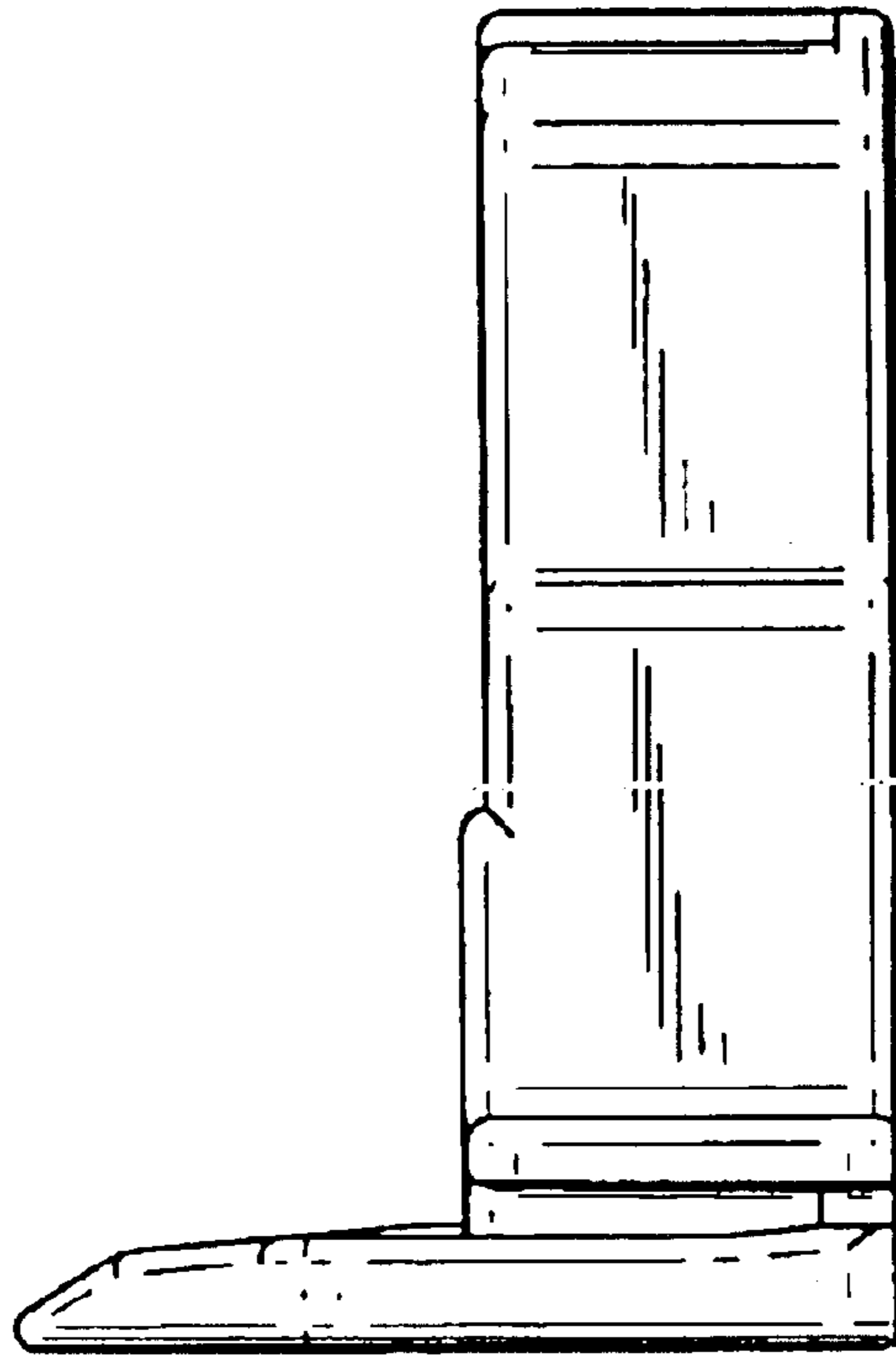


FIG. 6

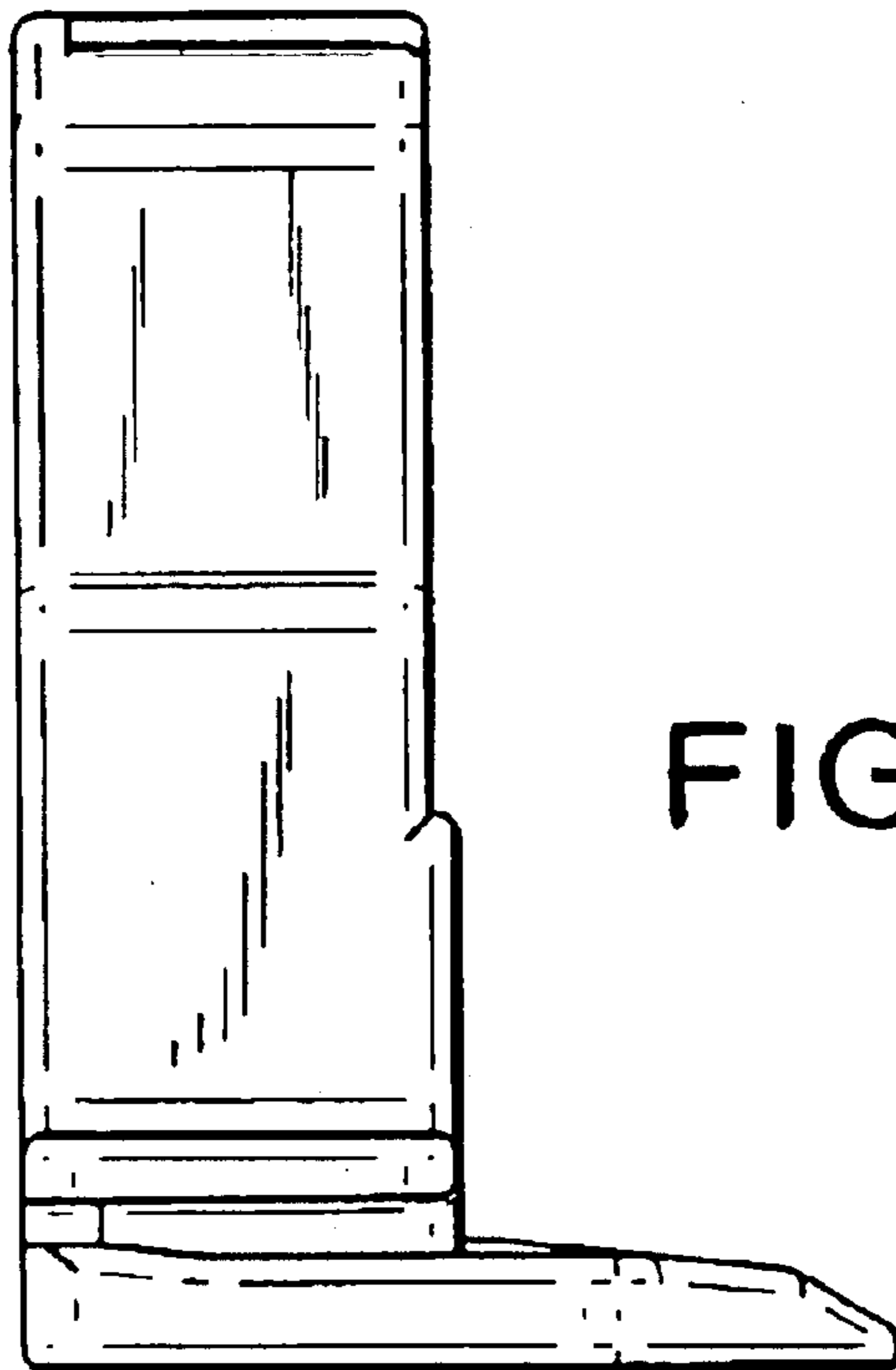


FIG. 7