

US00D493424S1

(12) **United States Design Patent**  
**Kubota et al.**

(10) **Patent No.:** **US D493,424 S**  
(45) **Date of Patent:** **\*\* Jul. 27, 2004**

(54) **CAPACITOR MODULE**

(75) Inventors: **Shinya Kubota, Wako (JP); Yoshinori Mita, Wako (JP); Satoru Asaka, Wako (JP); Koichi Yamamoto, Wako (JP); Naoyuki Abe, Wako (JP); Makoto Kawahara, Wako (JP)**

(73) Assignee: **Honda Giken Kogyo Kabushiki Kaisha, Tokyo (JP)**

(\*\*) Term: **14 Years**

(21) Appl. No.: **29/182,552**

(22) Filed: **May 29, 2003**

(30) **Foreign Application Priority Data**

Nov. 29, 2002 (JP) ..... 2002-033184

(51) **LOC (7) Cl.** ..... **13-03**

(52) **U.S. Cl.** ..... **D13/125; D13/133**

(58) **Field of Search** ..... **D13/125, 133; 361/328, 763, 809, 811, 329**

(56) **References Cited**

**U.S. PATENT DOCUMENTS**

4,442,473 A \* 4/1984 Holtzman et al. .... 361/275.4

D306,431 S \* 3/1990 Venturini et al. .... D13/125  
5,530,618 A \* 6/1996 Carroll et al. .... 361/329  
6,407,907 B1 \* 6/2002 Ahiko et al. .... 361/306.3  
6,611,421 B2 \* 8/2003 Meadows et al. .... 361/328  
6,631,071 B2 \* 10/2003 Kitagawa et al. .... 361/328

\* cited by examiner

*Primary Examiner*—Philip S. Hyder

(74) *Attorney, Agent, or Firm*—Arent Fox, PLLC

(57) **CLAIM**

The ornamental design for a capacitor module, as shown and described.

**DESCRIPTION**

FIG. 1 is a front view of a capacitor module showing our new design.

FIG. 2 is a rear view thereof.

FIG. 3 is a top plan view thereof.

FIG. 4 is a bottom view thereof.

FIG. 5 is a right side view thereof.

FIG. 6 is a left side view thereof.

FIG. 7 is a front perspective view thereof; and,

FIG. 8 is an enlarged end face view in a sectioned area taken along a line 8—8 in FIG. 1.

**1 Claim, 4 Drawing Sheets**

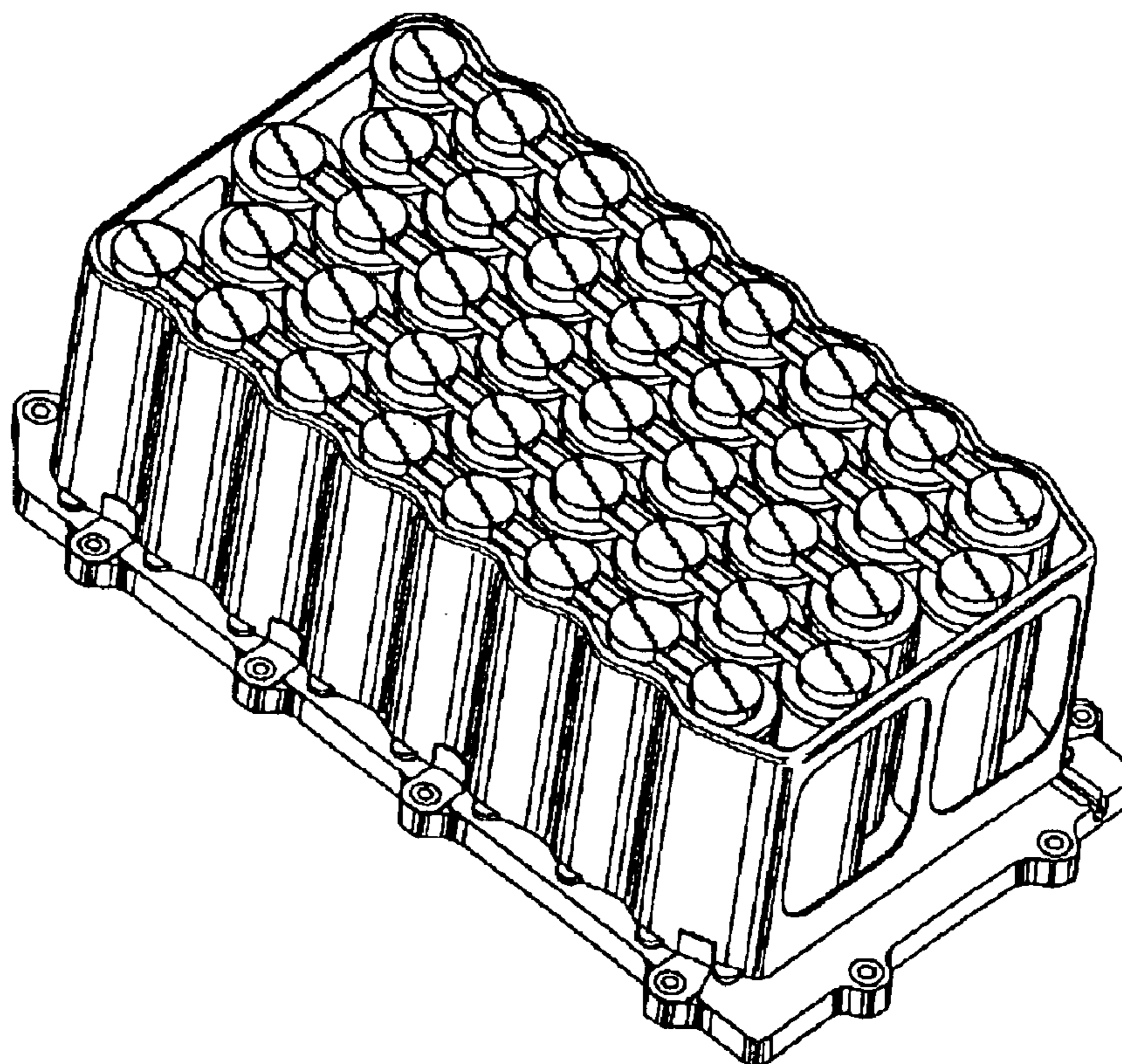


FIG.1

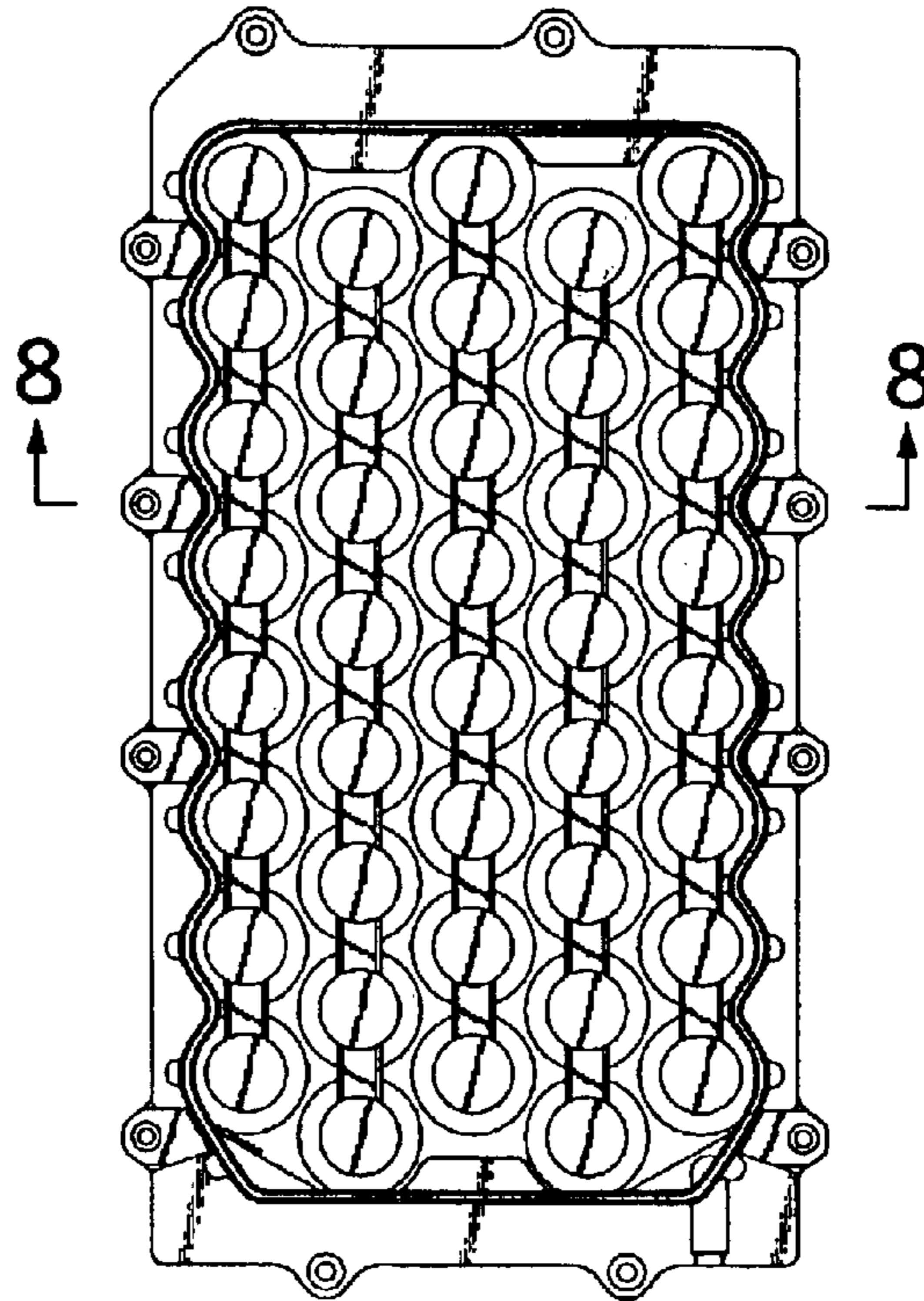
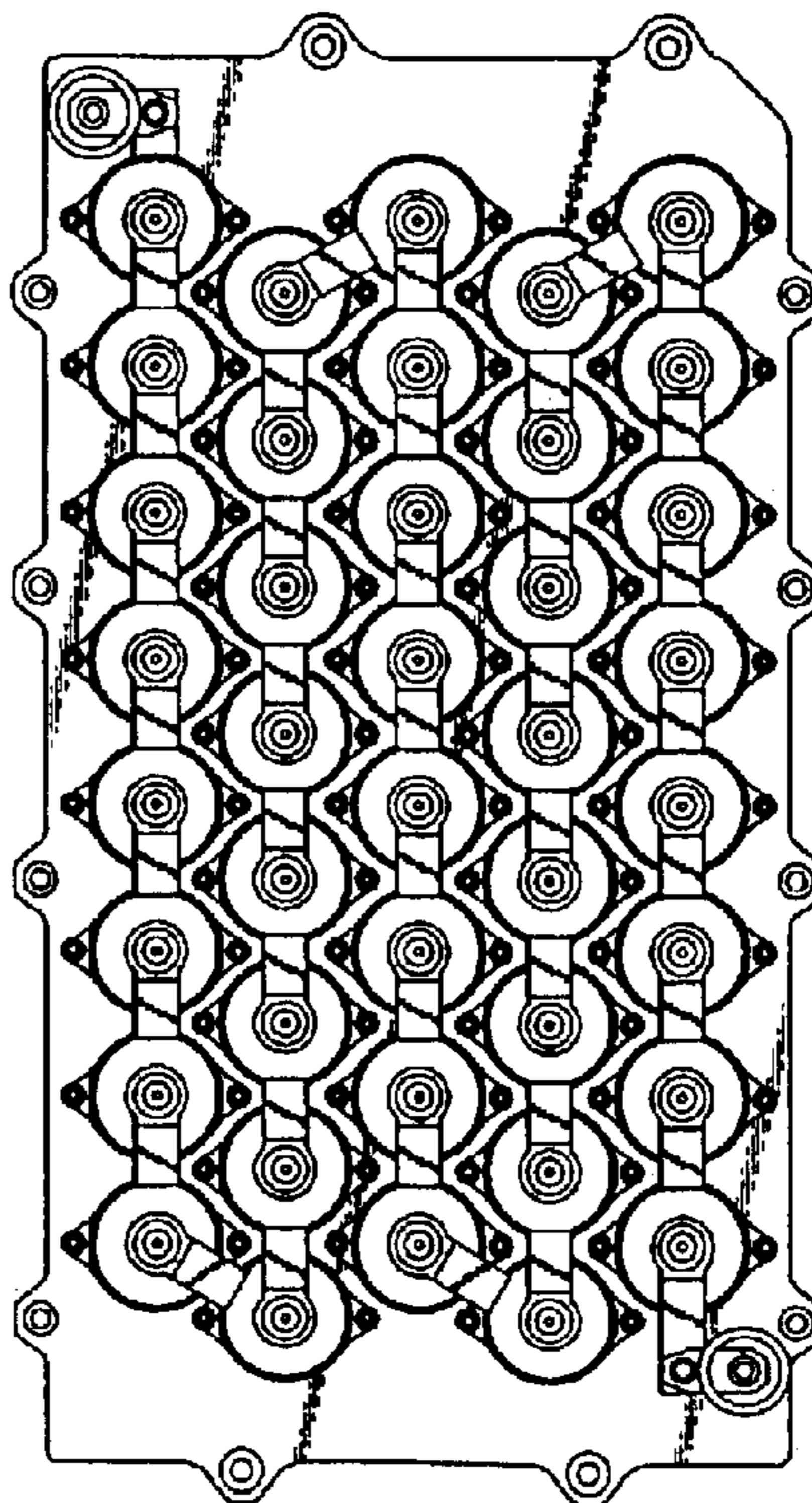
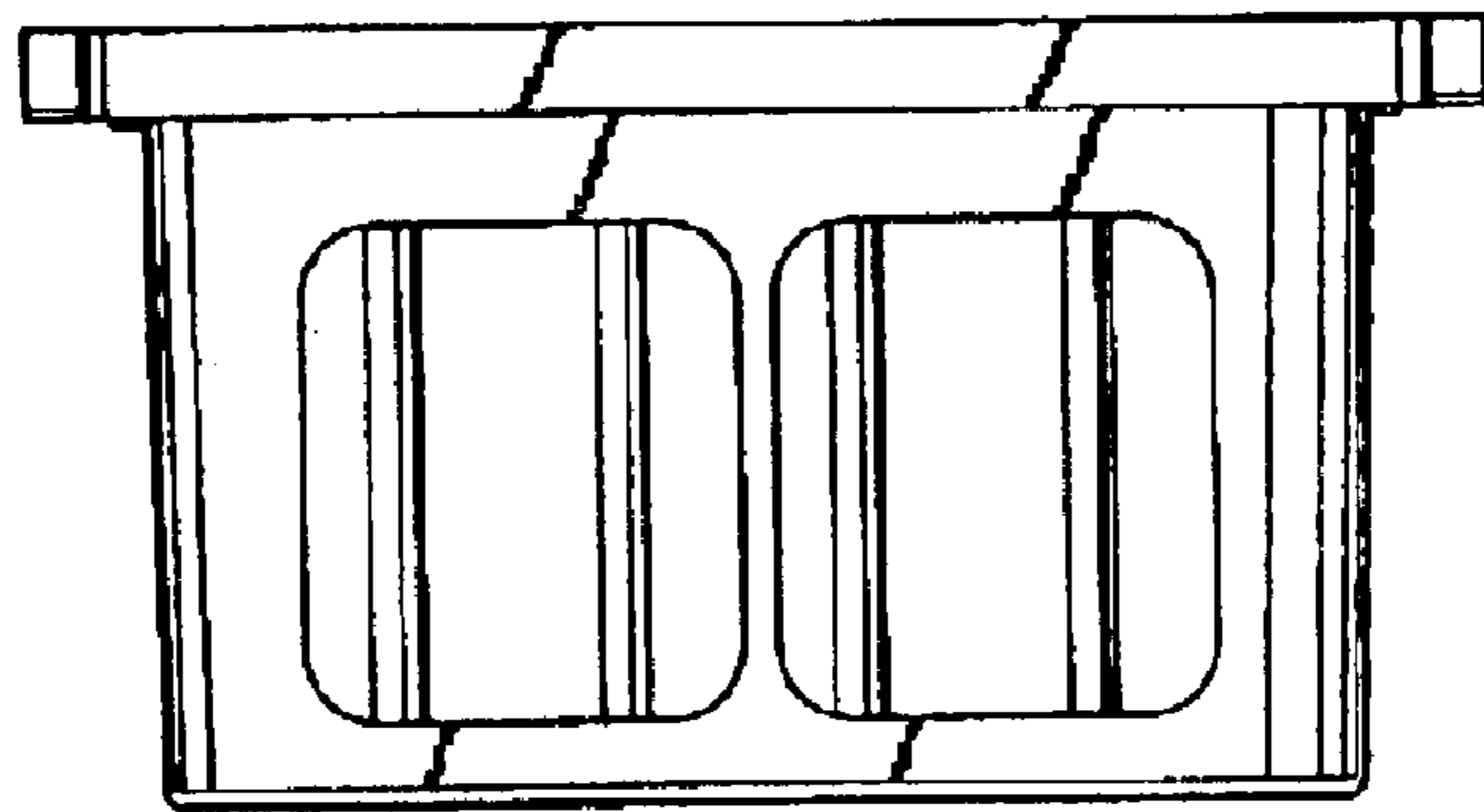


FIG.2



# FIG.3



# FIG.4

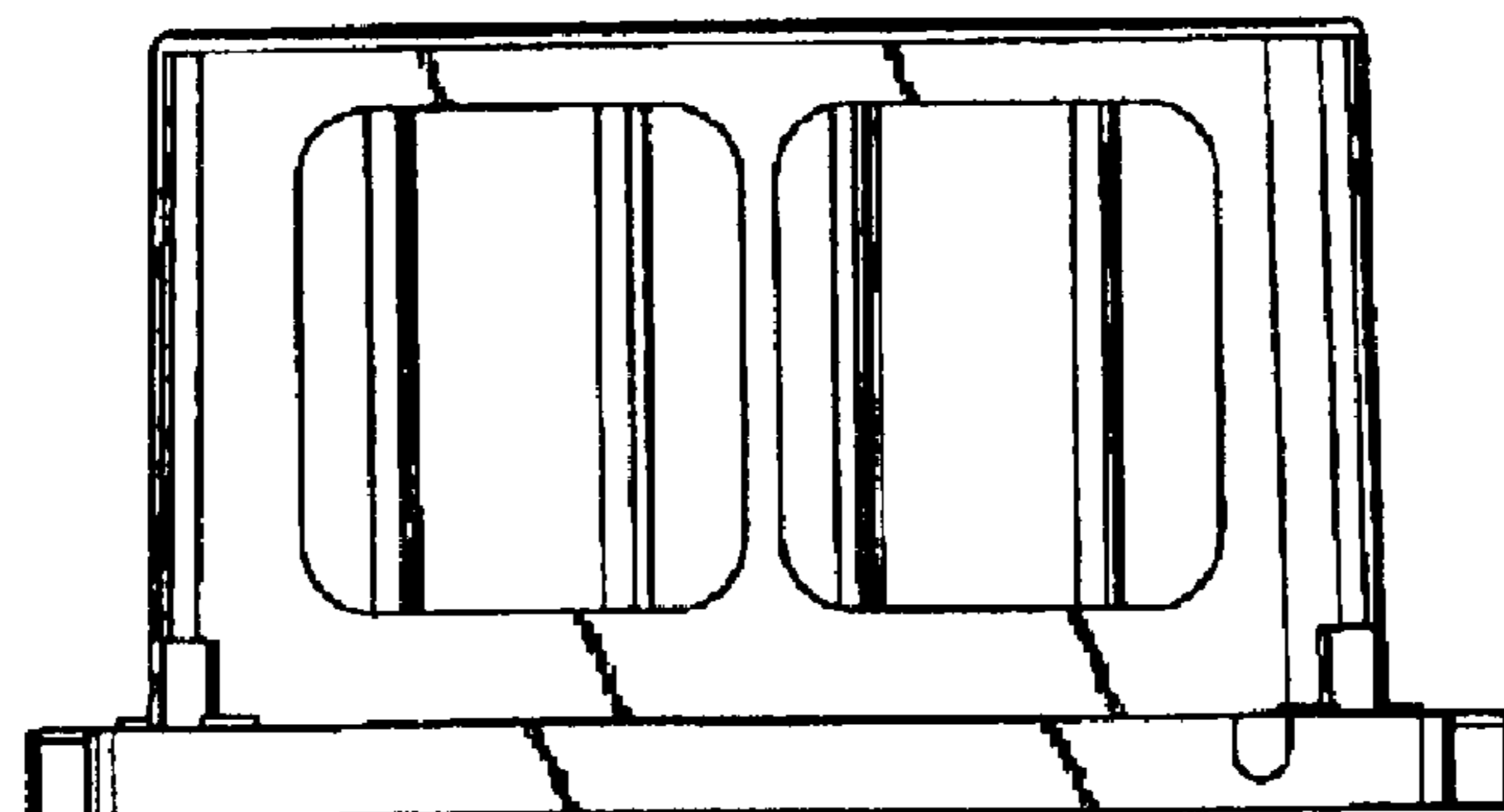


FIG.5

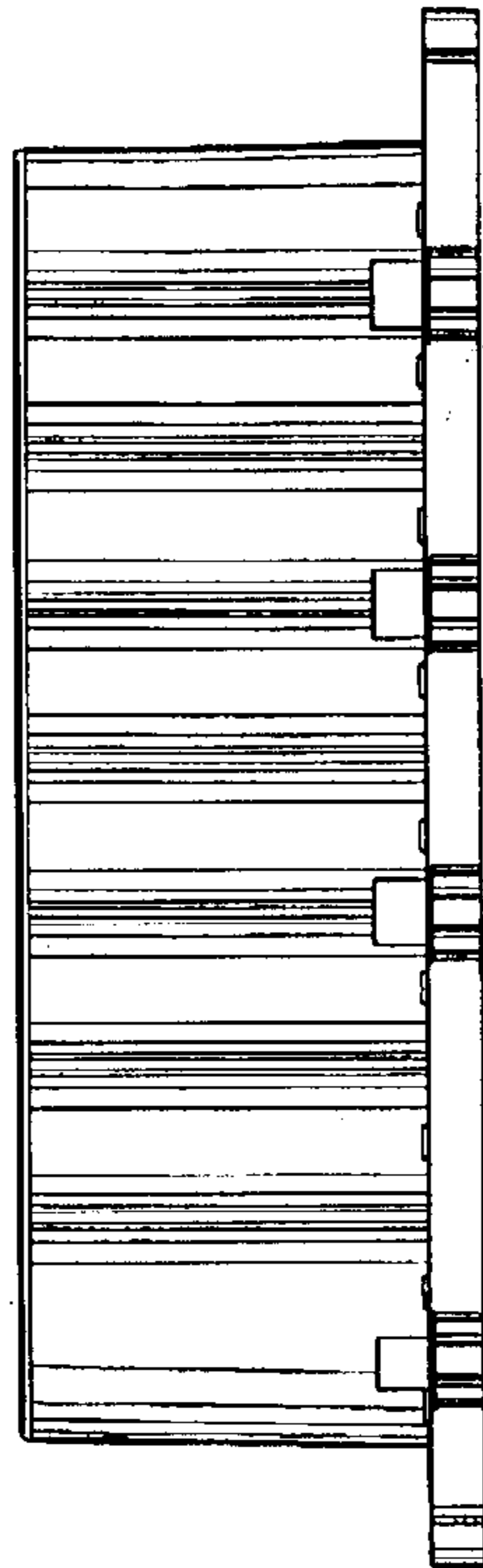


FIG.6

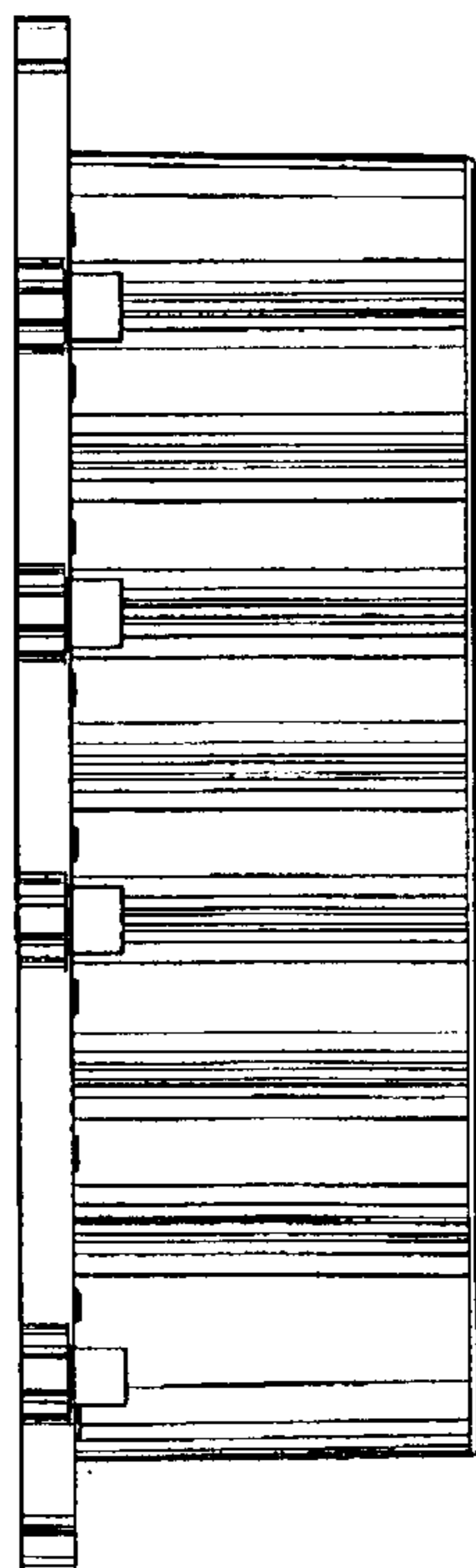


FIG.7

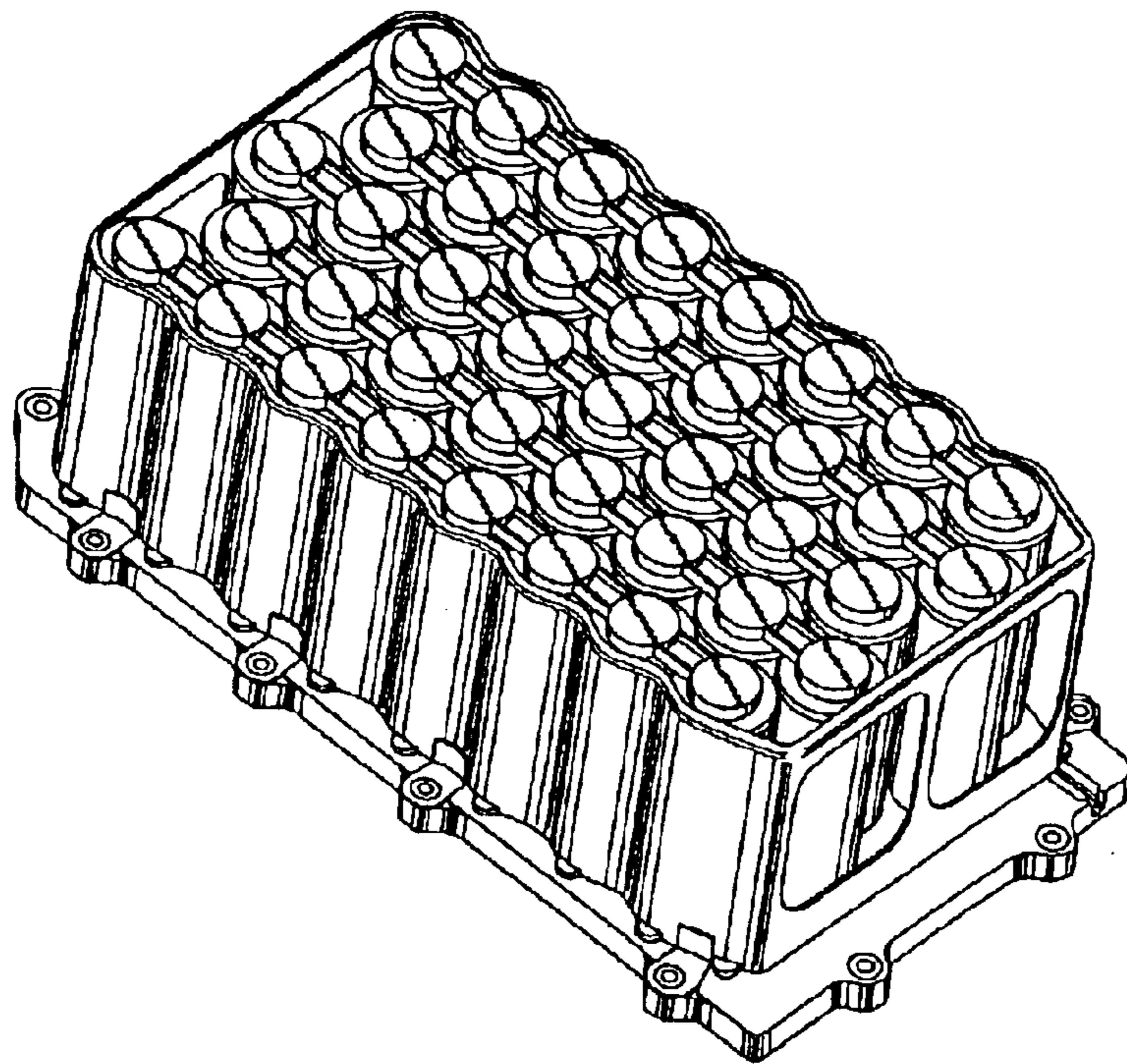


FIG.8

