



US00D493422S1

(12) **United States Design Patent**  
**Krieger et al.**

(10) **Patent No.:** **US D493,422 S**  
(45) **Date of Patent:** **\*\* Jul. 27, 2004**

(54) **BATTERY CHARGER WITH ACCESSORY HOLDER**

(75) Inventors: **Michael Krieger**, Miami Beach, FL (US); **Kevin Ellsworth**, Hollywood, FL (US)

(73) Assignee: **Vector Products, Inc.**, Ft. Lauderdale, FL (US)

(\*\*) Term: **14 Years**

(21) Appl. No.: **29/186,678**

(22) Filed: **Jul. 22, 2003**

(51) **LOC (7) Cl.** ..... **13-02**

(52) **U.S. Cl.** ..... **D13/107**

(58) **Field of Search** ..... D13/107, 108;  
D14/251, 253; 320/105, 107-116

(56) **References Cited**

**U.S. PATENT DOCUMENTS**

D392,619 S	*	3/1998	Ericksen	.....	D13/168
D404,006 S	*	1/1999	Clowers et al.	.....	D13/107
D409,976 S	*	5/1999	Buck	.....	D13/107
D417,649 S	*	12/1999	Higgins et al.	.....	D13/107
D427,564 S	*	7/2000	Wu	.....	D13/107
D445,399 S	*	7/2001	Kolinen	.....	D13/107
D461,447 S	*	8/2002	Nawrozki	.....	D13/107
D472,875 S	*	4/2003	Garvis et al.	.....	D13/107

\* cited by examiner

*Primary Examiner*—Joel Sincavage  
(74) *Attorney, Agent, or Firm*—Venable LLP; Robert Kinberg

(57) **CLAIM**

The ornamental design for a battery charger with accessory holder, as shown and described.

**DESCRIPTION**

FIG. 1 is a perspective view from the front-top-left side of a battery charger with accessory holder showing our new design;

FIG. 2 is a front view of the design shown in FIG. 1;

FIG. 3 is a rear view of the design shown in FIG. 1;

FIG. 4 is a right side view of the design shown in FIG. 1;

FIG. 5 is a left side view of the design shown in FIG. 1;

FIG. 6 is a top view of the design shown in FIG. 1;

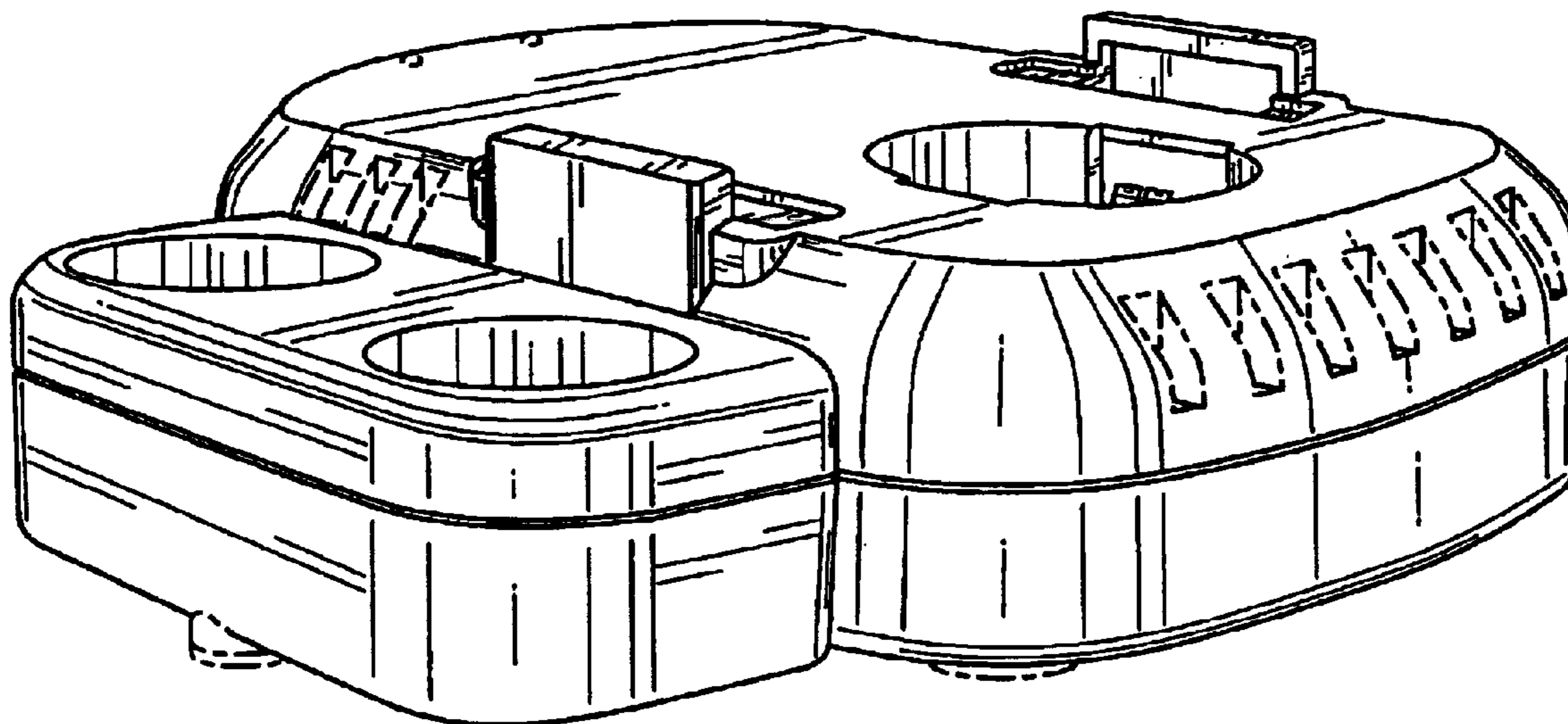
FIG. 7 is a bottom view of the design shown in FIG. 1;

FIG. 8 is a left side view of the design shown in FIG. 1 with an attached battery being charged shown in broken lines; and,

FIG. 9 is the perspective view of the design shown in FIG. 1 with an attached battery being charged and being in the accessory holder shown in broken lines.

The broken lines immediately adjacent the shaded areas represent the bounds of the claimed design while all other broken lines are for illustrative purposes only; the broken lines form no part of the claimed design.

**1 Claim, 9 Drawing Sheets**



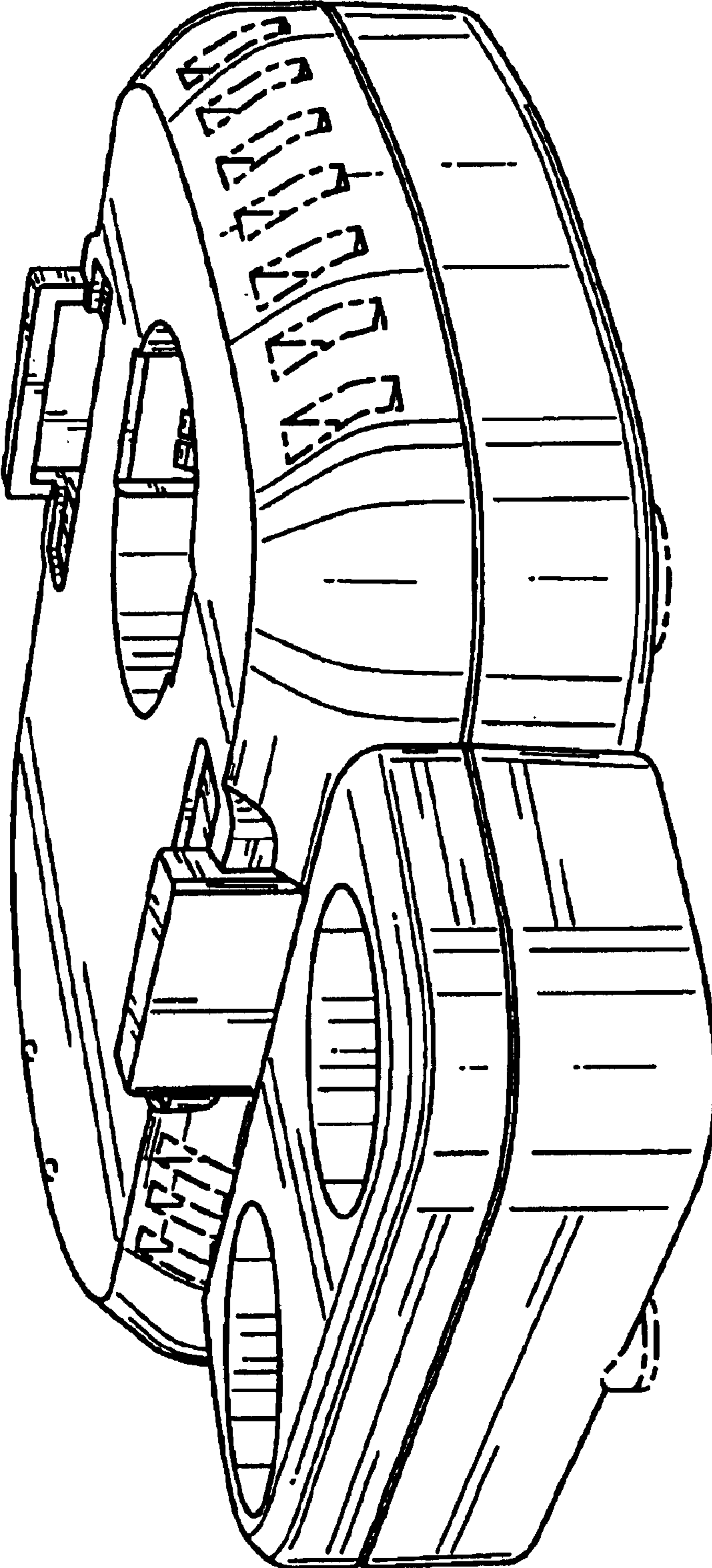


FIG. 1

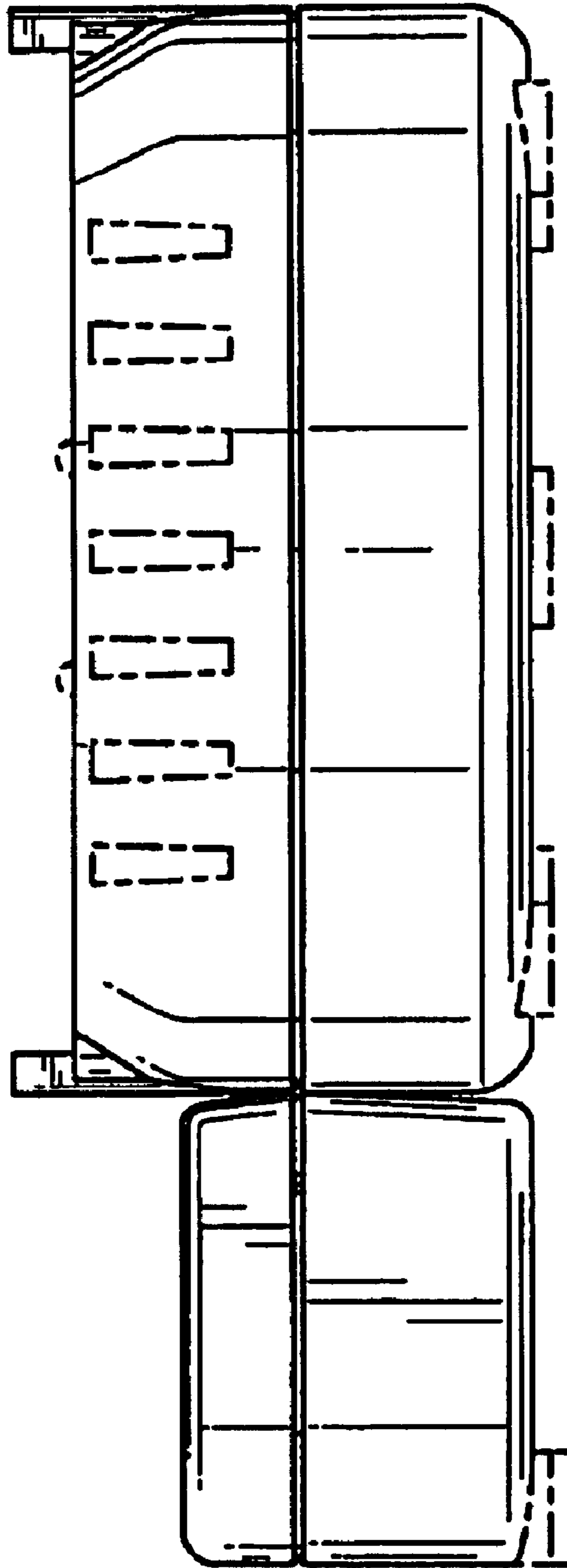


FIG. 2

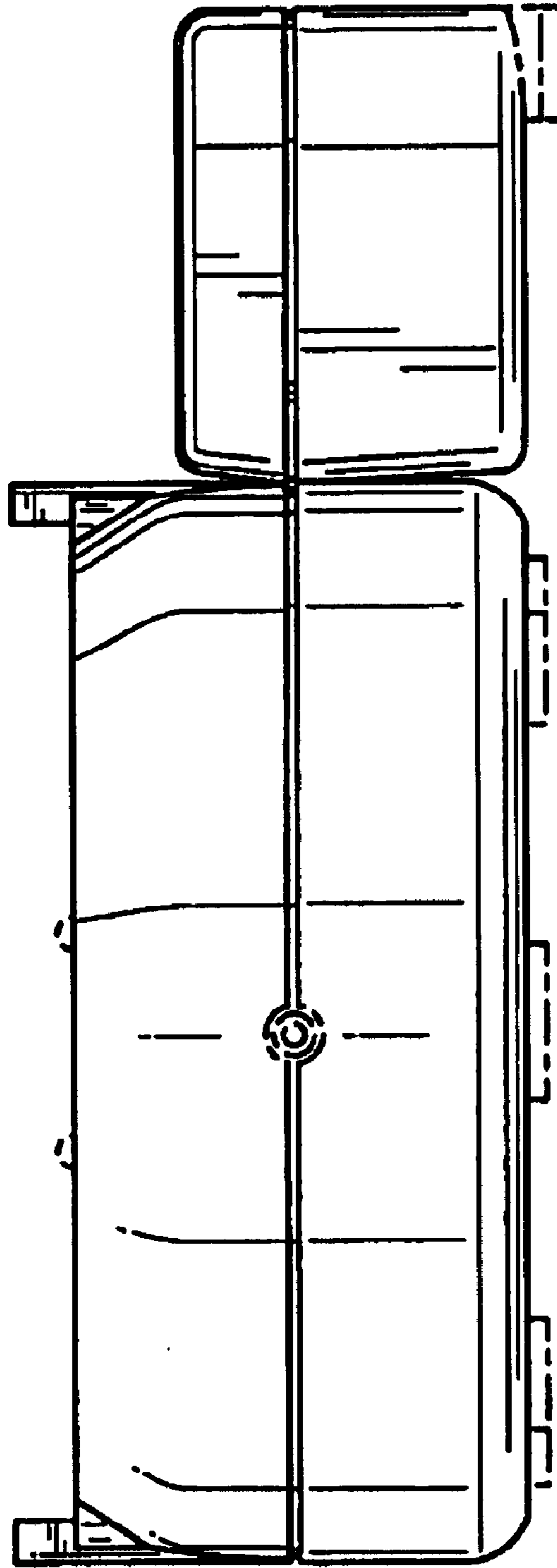


FIG. 3

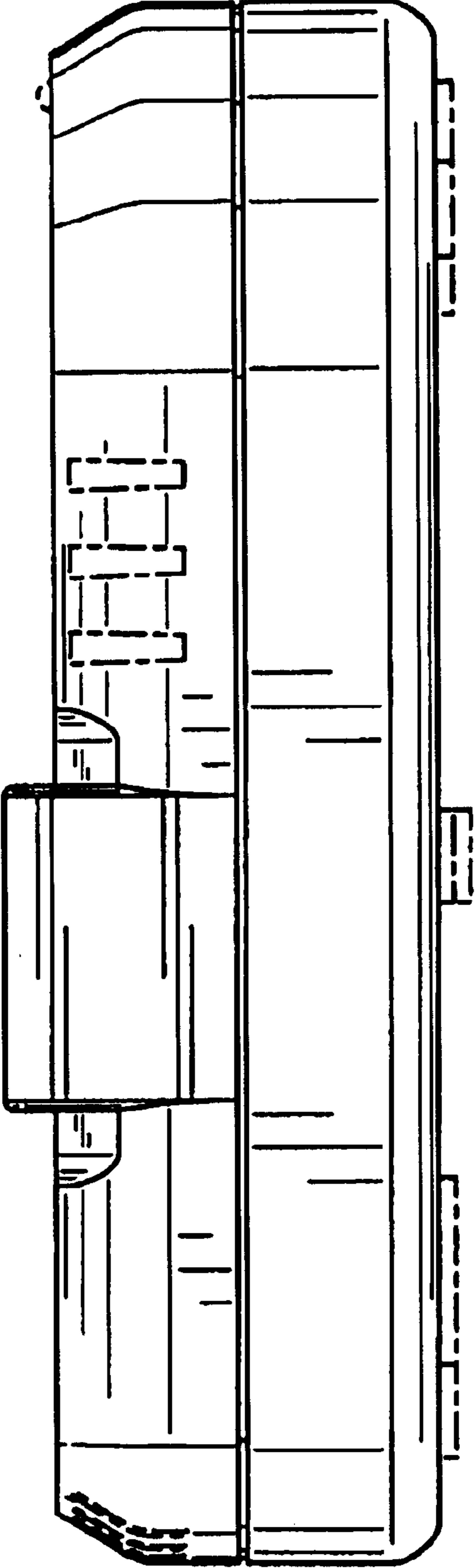


FIG. 4

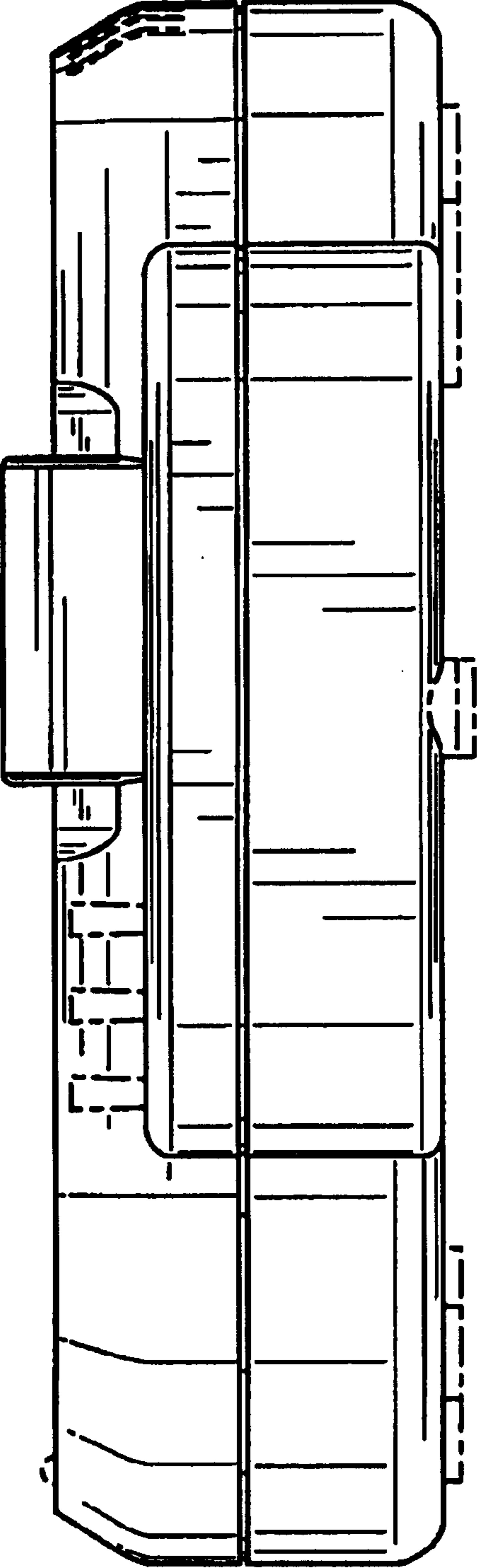


FIG. 5

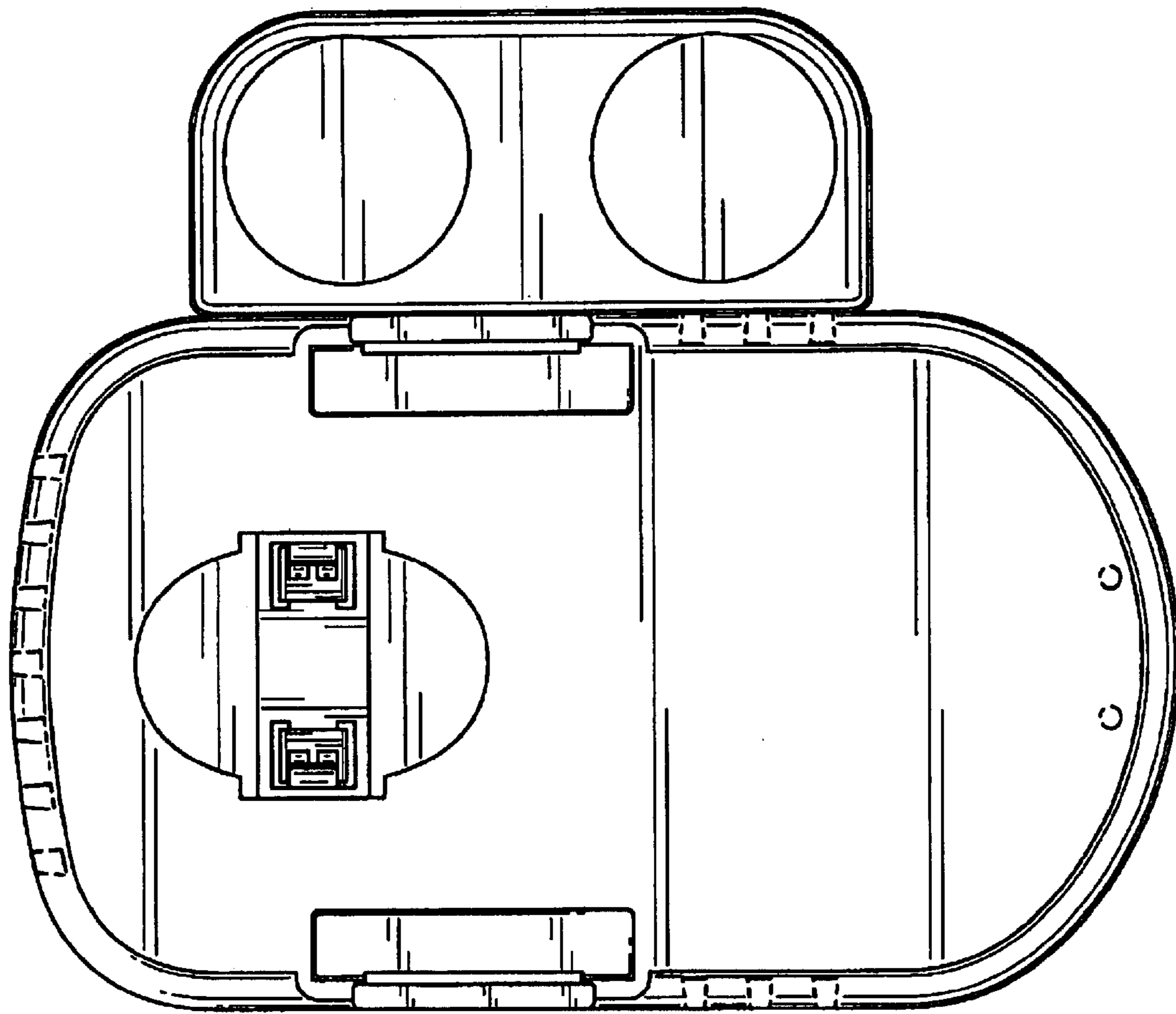


FIG. 6

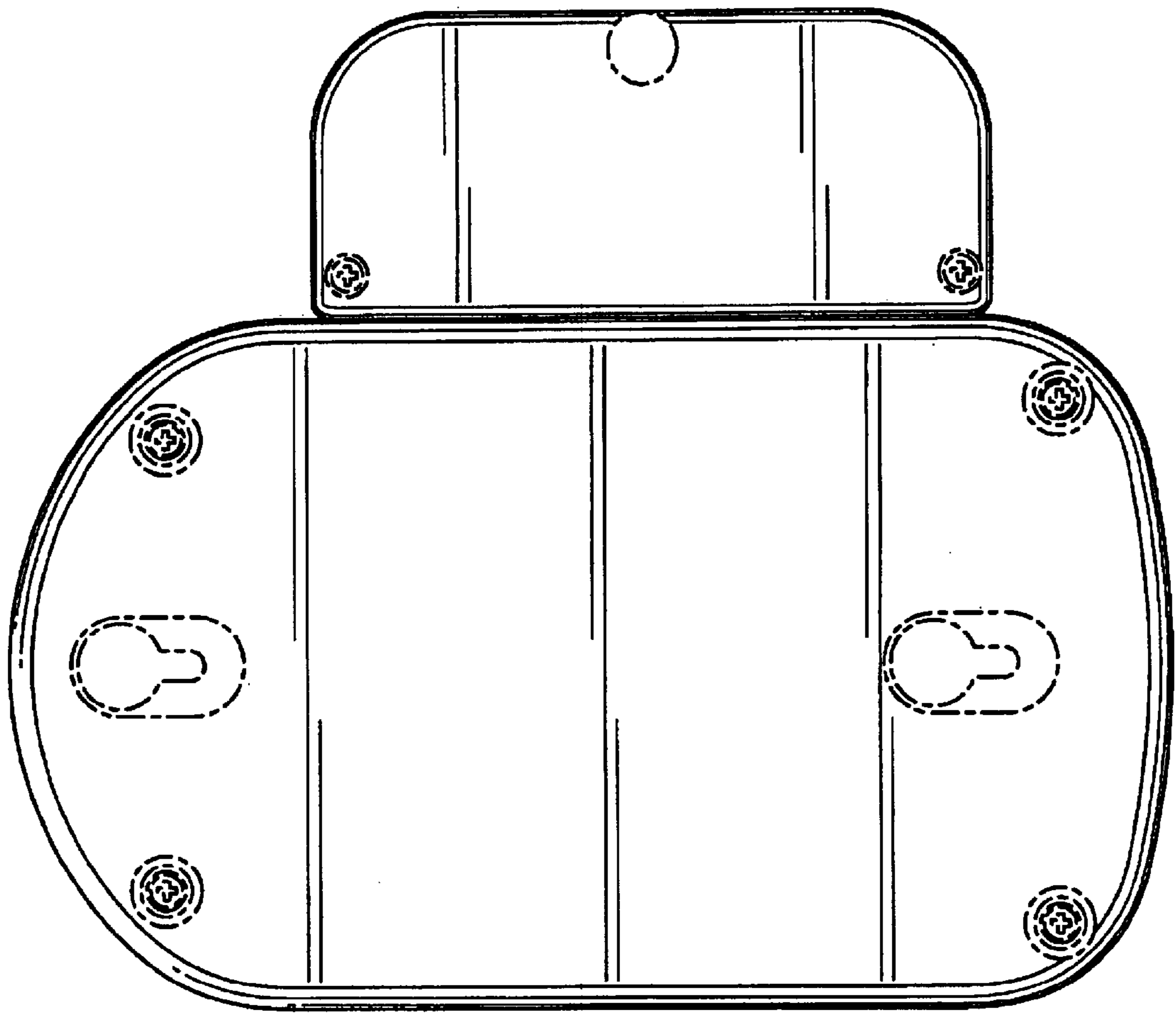


FIG. 7



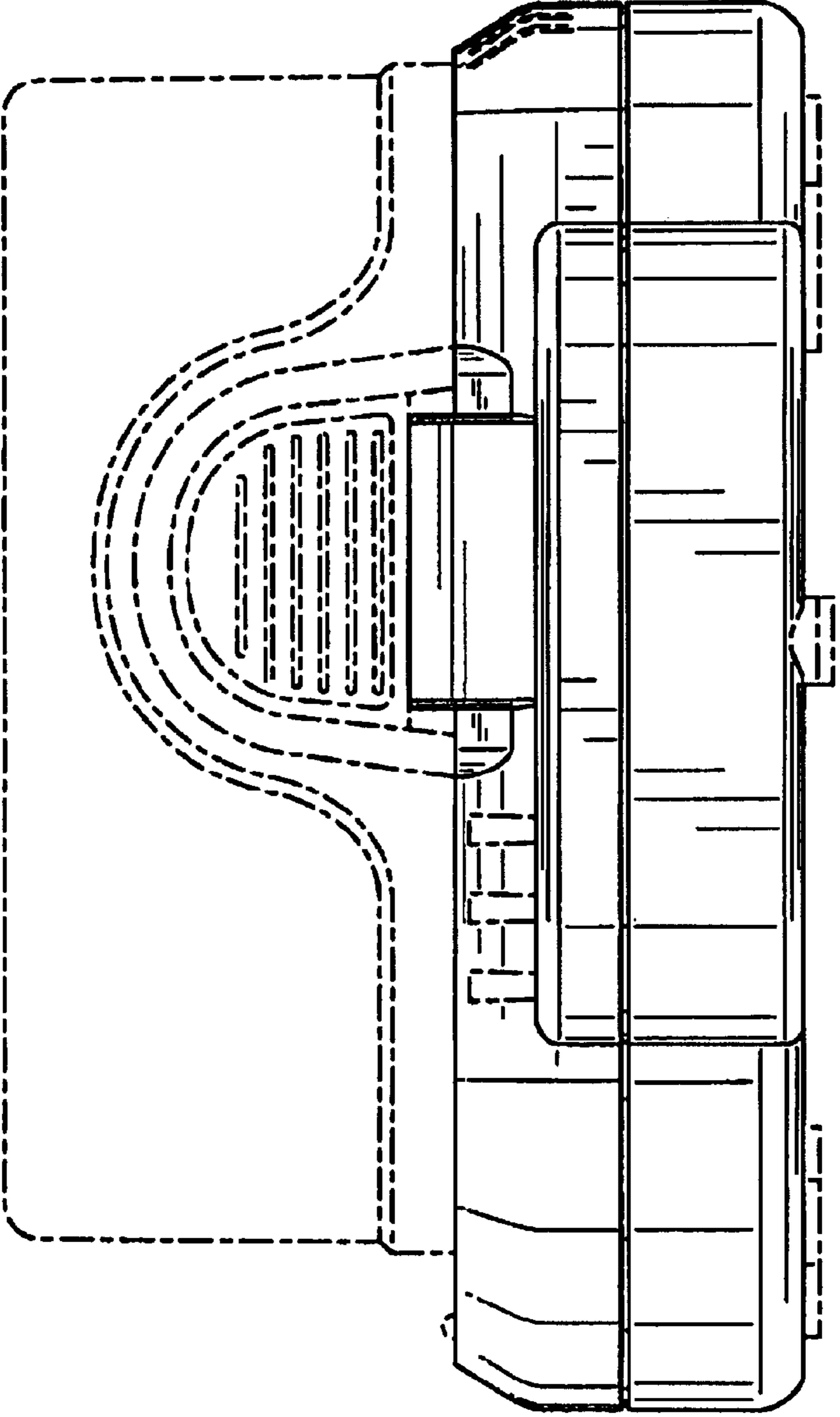


FIG. 8

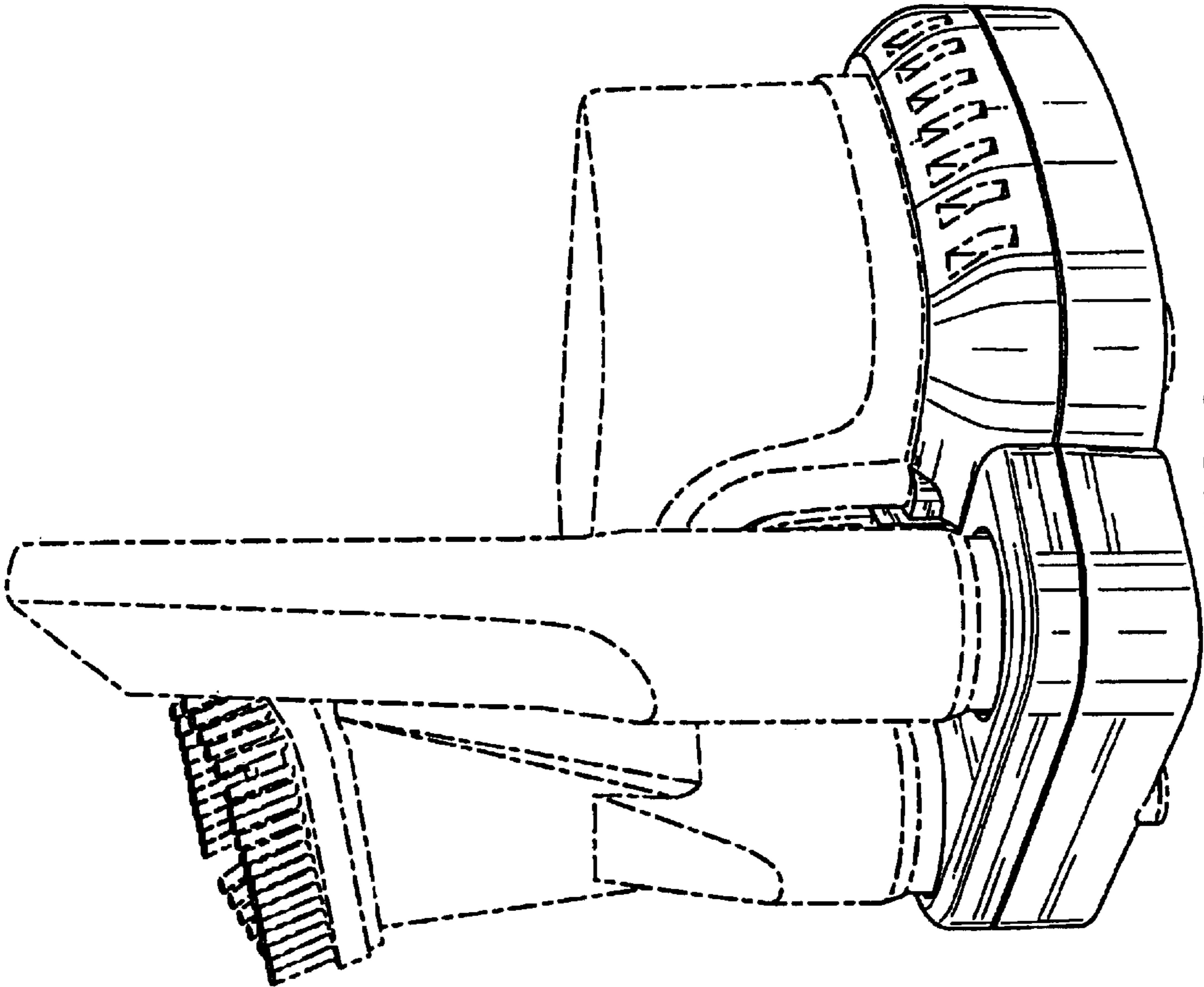


FIG. 9