

US00D493421S1

(12) **United States Design Patent** (10) **Patent No.:** **US D493,421 S**
Krieger et al. (45) **Date of Patent:** **** Jul. 27, 2004**

(54) **BATTERY CHARGER**

(75) Inventors: **Michael Krieger**, Miami Beach, FL
(US); **Kevin Ellsworth**, Hollywood, FL
(US)

(73) Assignee: **Vector Products, Inc.**, Ft. Lauderdale,
FL (US)

(**) Term: **14 Years**

(21) Appl. No.: **29/186,592**

(22) Filed: **Jul. 21, 2003**

Related U.S. Application Data

(63) Continuation of application No. 29/175,903, filed on Feb.
13, 2003, now Pat. No. Des. 483,326.

(51) **LOC (7) Cl.** **13-02**

(52) **U.S. Cl.** **D13/107**

(58) **Field of Search** D13/107, 108;
D14/251, 253; 320/105, 107-116

(56) **References Cited**

U.S. PATENT DOCUMENTS

- D330,187 S * 10/1992 Shimoo et al. D13/107
- D423,451 S * 4/2000 Heckenast et al. D13/110
- D429,482 S * 8/2000 Hussaini et al. D13/107
- D444,122 S * 6/2001 Krieger et al. D13/107
- 6,356,050 B1 * 3/2002 Hussaini 320/105

- D462,320 S * 9/2002 Krieger et al. D13/107
- D464,935 S * 10/2002 Krieger et al. D13/110
- D469,401 S * 1/2003 Griffey et al. D13/110
- D474,151 S * 5/2003 James et al. D13/119
- D474,738 S * 5/2003 Ishii et al. D13/110
- D483,326 S * 12/2003 Krieger et al. D13/107

* cited by examiner

Primary Examiner—Joel Sincavage

(74) *Attorney, Agent, or Firm*—Venable LLP; Robert
Kinberg

(57) **CLAIM**

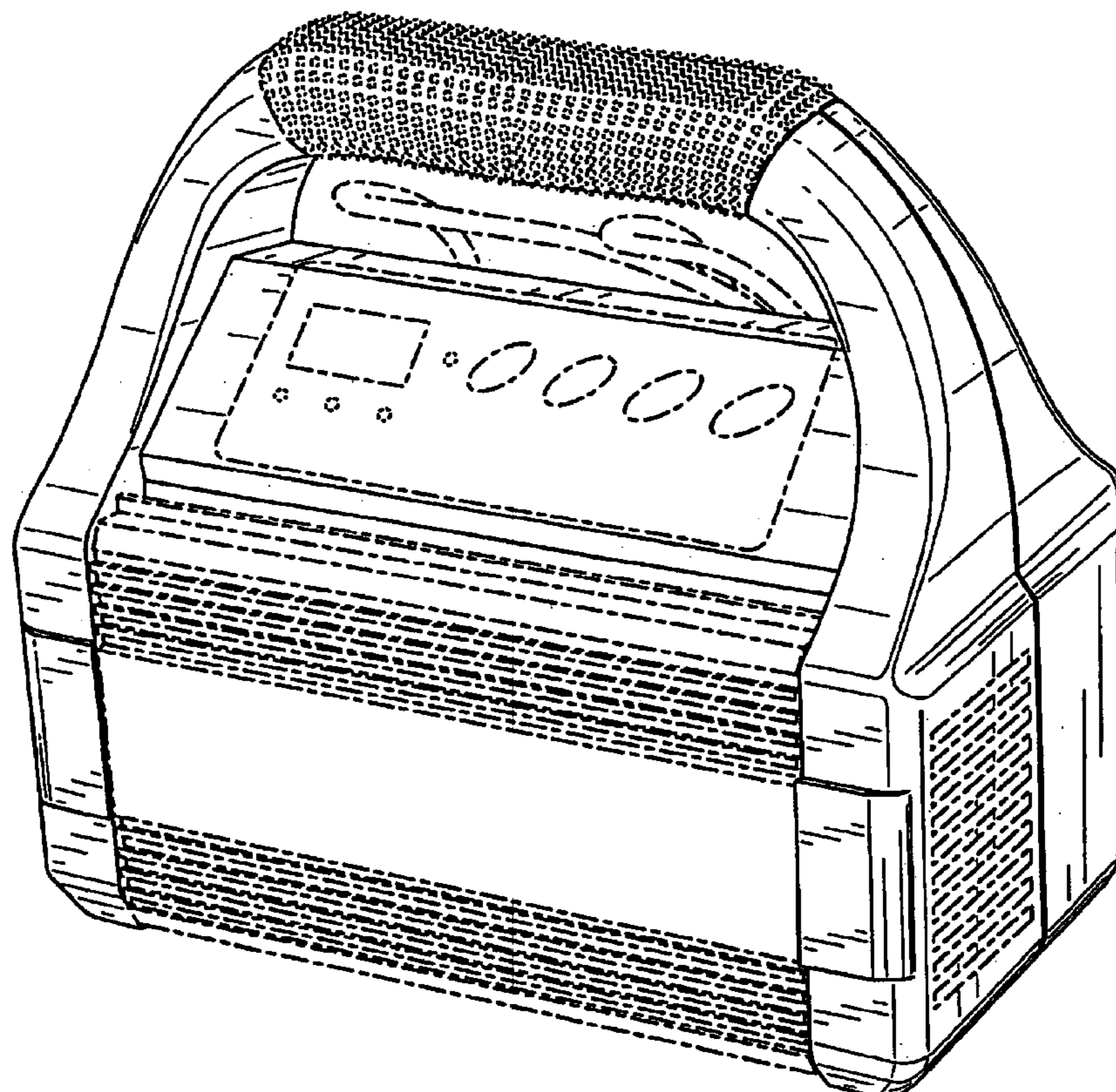
The ornamental design for a battery charger, as shown and
described.

DESCRIPTION

FIG. 1 is a perspective view from the front-top-right side of
the battery charger showing our new design;
FIG. 2 is a front view of the design shown in FIG. 1;
FIG. 3 is a rear view of the design shown in FIG. 1;
FIG. 4 is a left side view of the design shown in FIG. 1;
FIG. 5 is a right side view of the design shown in FIG. 1;
FIG. 6 is a top view of the design shown in FIG. 1; and,
FIG. 7 is a bottom view of the design shown in FIG. 1.

The broken lines immediately adjacent the shaded areas
represent the bounds of the claimed design while all other
broken lines are for illustrative purposes only; the broken
lines form no part of the claimed design.

1 Claim, 7 Drawing Sheets



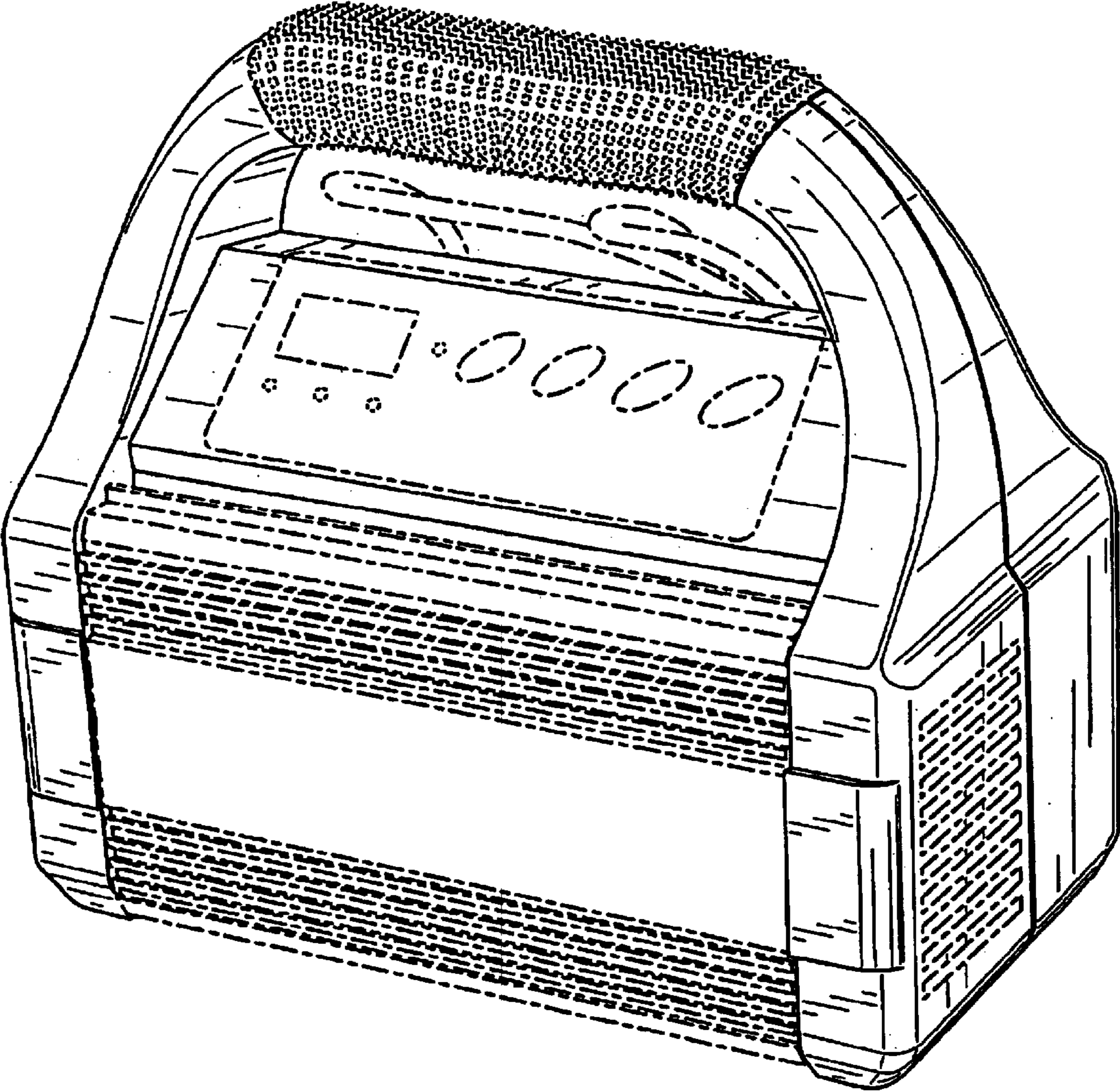


FIG. 1

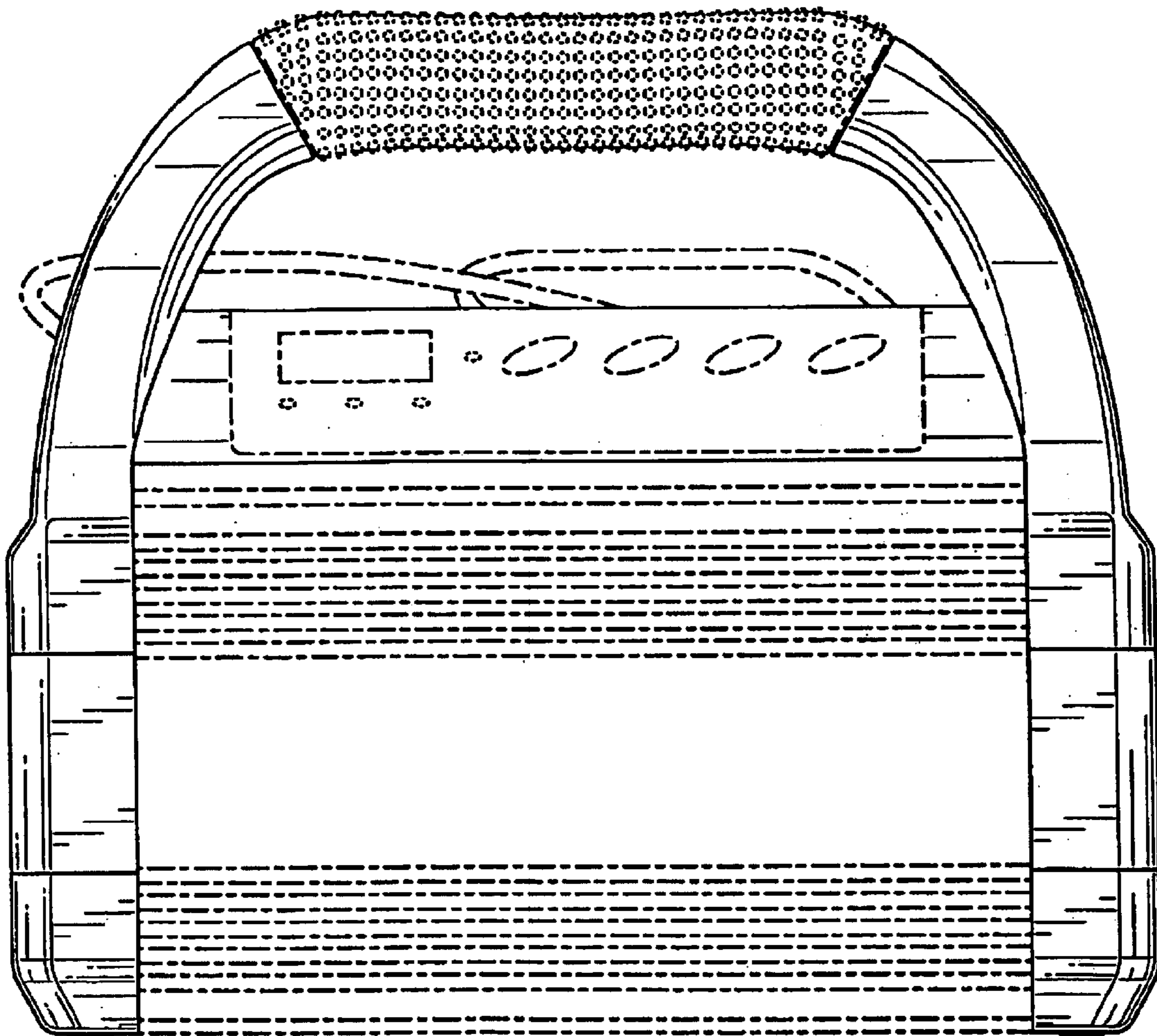


FIG. 2

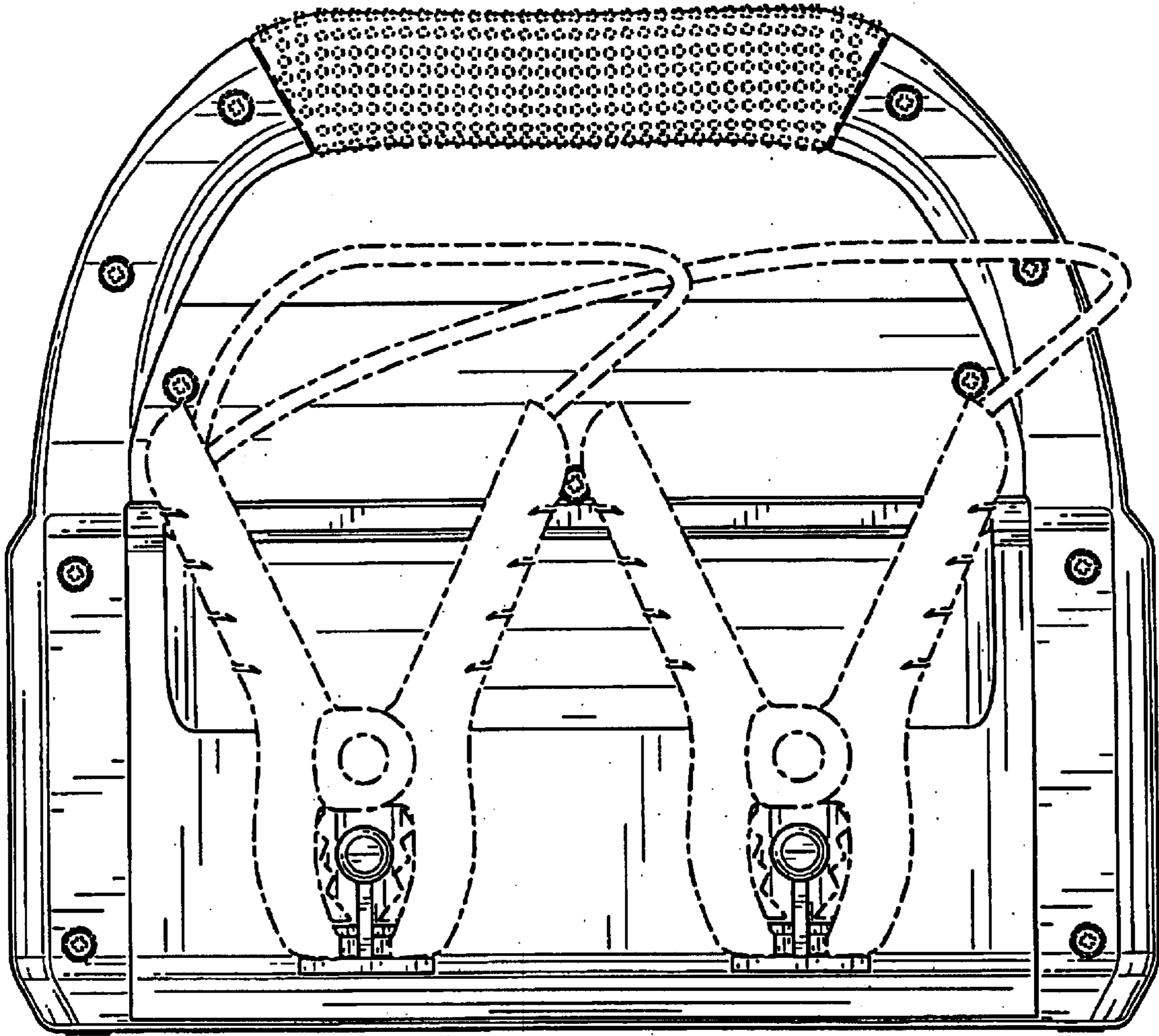


FIG. 3

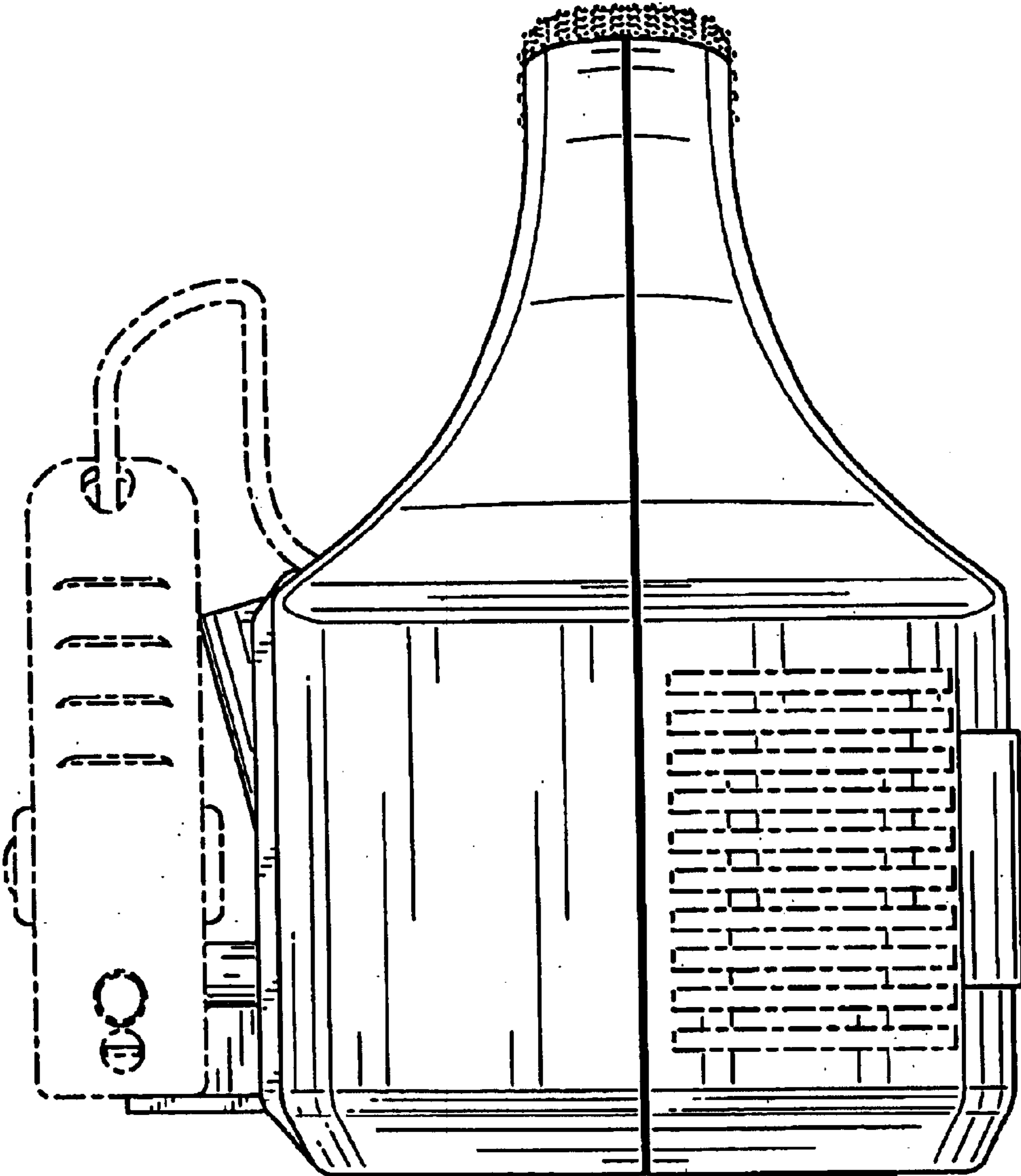


FIG. 4

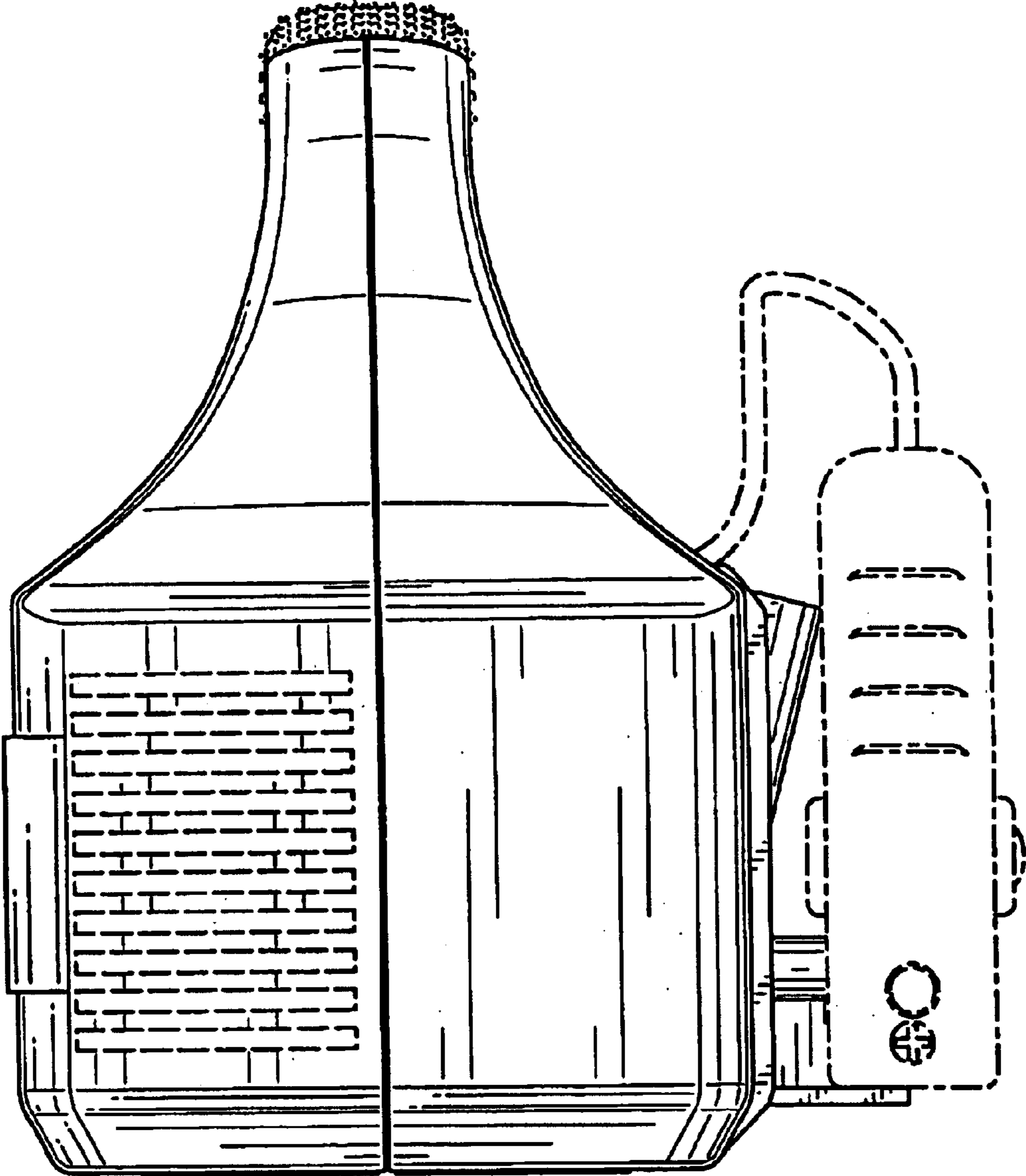


FIG. 5

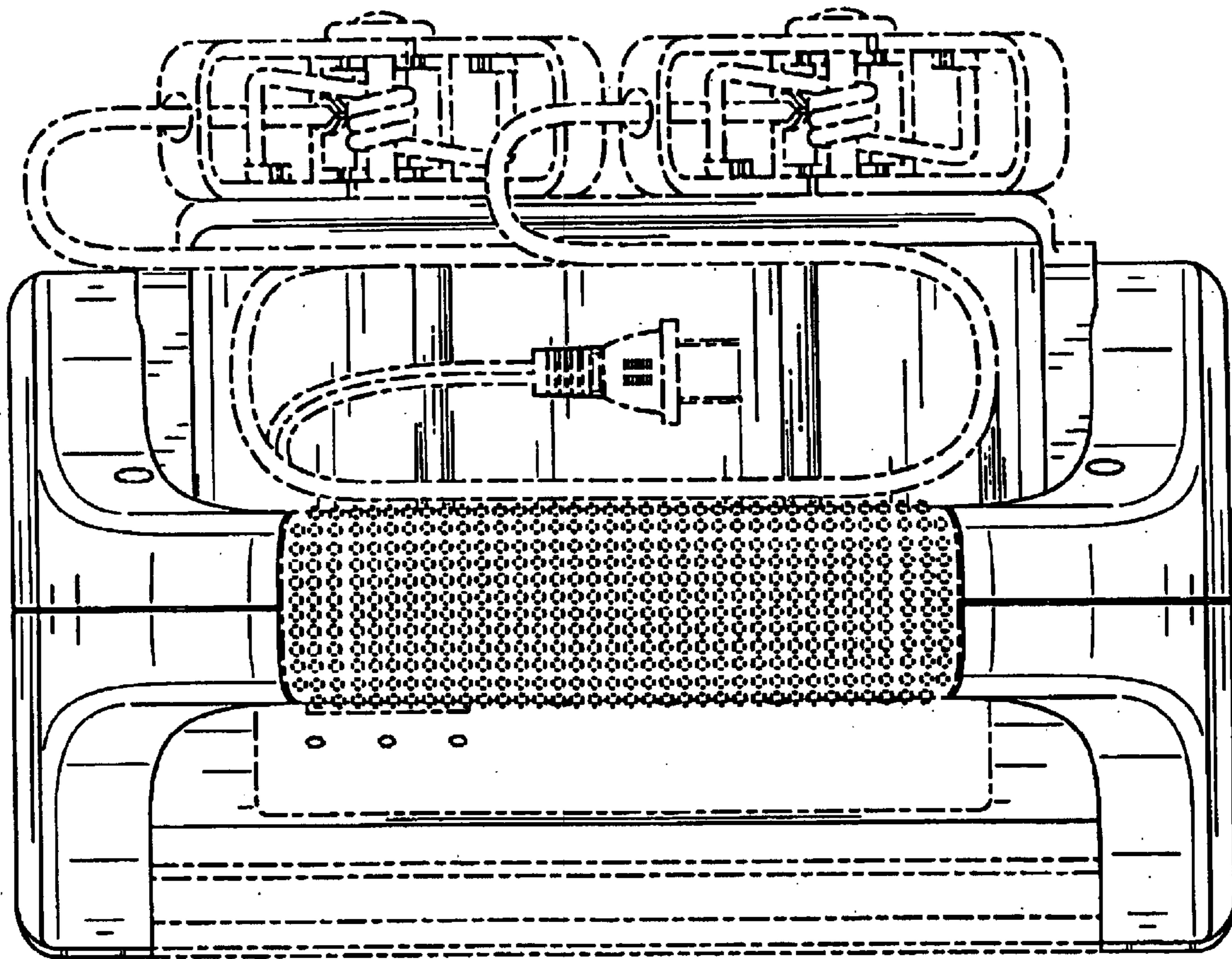


FIG. 6

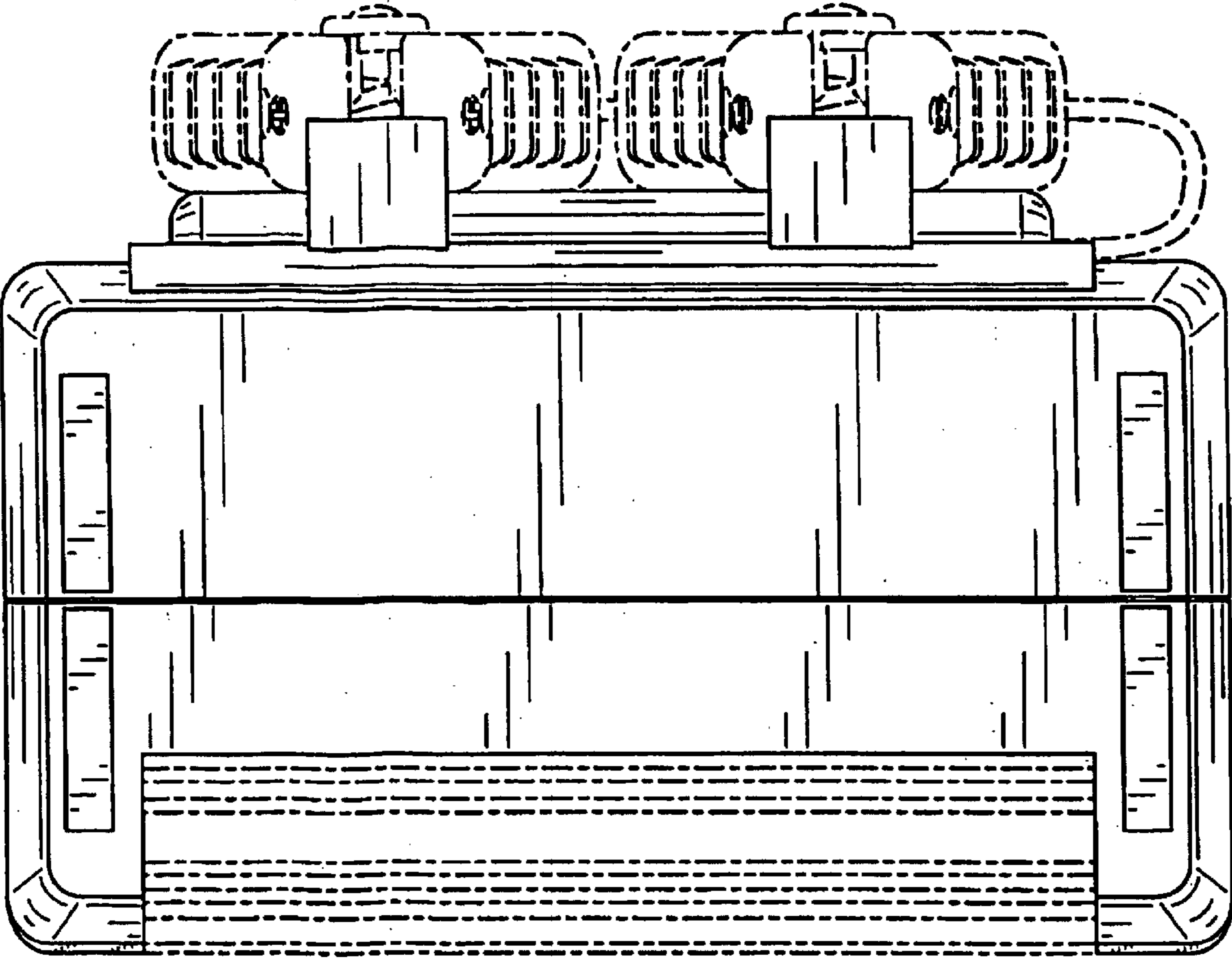


FIG. 7