

US00D493418S1

(12) **United States Design Patent**
Krieger et al.

(10) **Patent No.:** **US D493,418 S**
(45) **Date of Patent:** **** Jul. 27, 2004**

(54) **JUMP-START SYSTEM**

D480,357 S * 10/2003 Miao D13/107
D482,324 S * 11/2003 James et al. D13/107
D483,326 S * 12/2003 Krieger et al. D13/107

(75) Inventors: **Michael Krieger**, Miami Beach, FL
(US); **Kevin Ellsworth**, Hollywood, FL
(US)

* cited by examiner

(73) Assignee: **Vector Products, Inc.**, Ft. Lauderdale,
FL (US)

Primary Examiner—Joel Sincavage
(74) *Attorney, Agent, or Firm*—Venable LLP; Robert
Kinberg

(**) **Term:** **14 Years**

(57) **CLAIM**

(21) Appl. No.: **29/186,102**

The ornamental design for a jump-start system, as shown
and described.

(22) Filed: **Jul. 10, 2003**

DESCRIPTION

(51) **LOC (7) Cl.** **13-02**

(52) **U.S. Cl.** **D13/107**

(58) **Field of Search** D13/107, 108;
D14/251, 253; 320/105, 107–116

FIG. 1 is a perspective view from the front-top-right side of
the jump-start system showing our new design;
FIG. 2 is a front view of the design shown in FIG. 1;
FIG. 3 is a rear view of the design shown in FIG. 1;
FIG. 4 is a right side view of the design shown in FIG. 1;
FIG. 5 is a left side view of the design shown in FIG. 1;
FIG. 6 is a top view of the design shown in FIG. 1; and,
FIG. 7 is a bottom view of the design shown in FIG. 1.

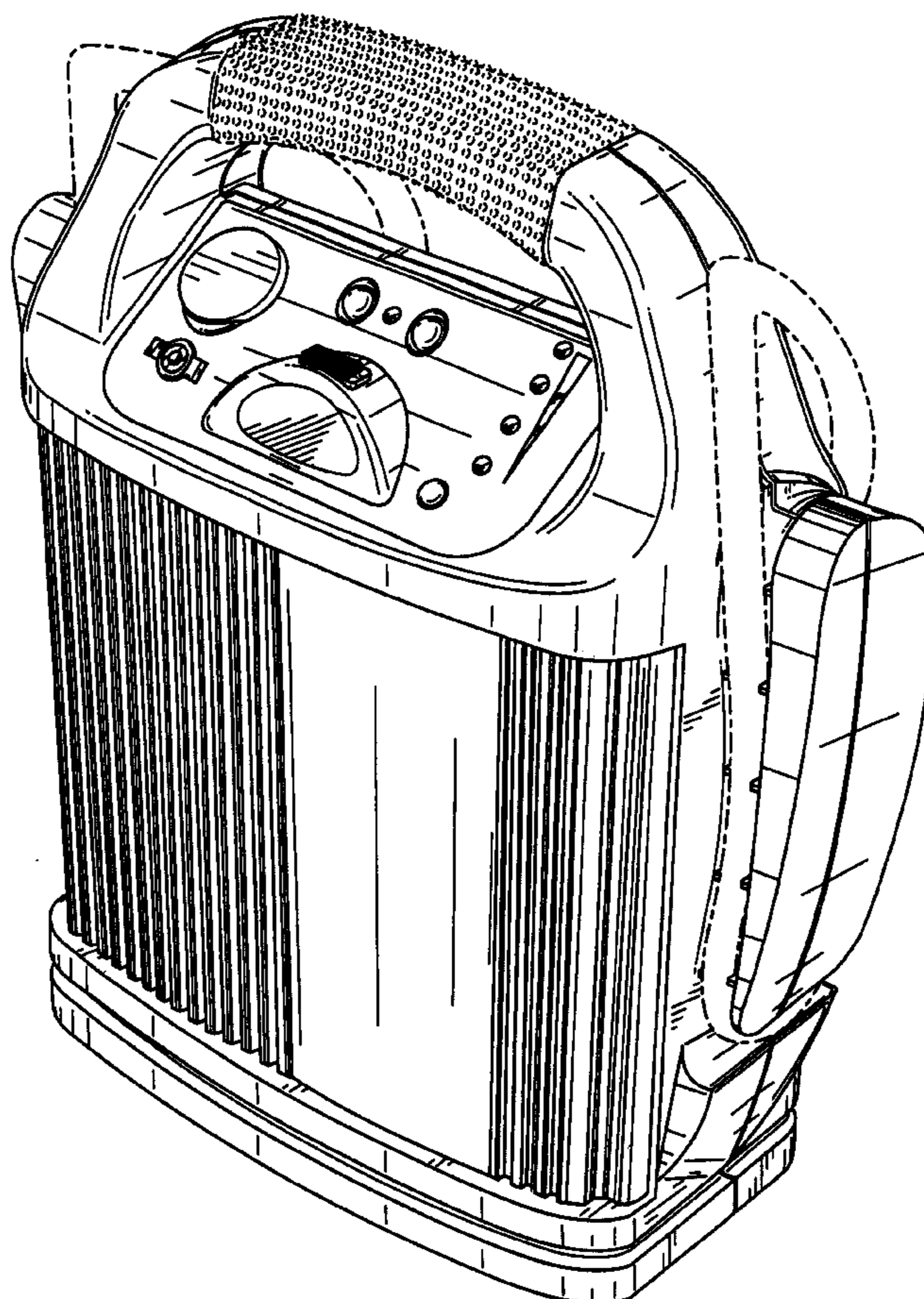
(56) **References Cited**

U.S. PATENT DOCUMENTS

5,982,138 A * 11/1999 Krieger 320/105
6,002,235 A * 12/1999 Clore 320/105
D432,985 S * 10/2000 Wan D13/107
6,215,273 B1 * 4/2001 Shy 320/105
D446,500 S * 8/2001 Krieger et al. D13/110
6,356,050 B1 * 3/2002 Hussaini 320/105
D464,619 S * 10/2002 Krieger et al. D13/110

The broken lines immediately adjacent the shaded areas
represent the bounds of the claimed design while all other
broken lines are for illustrative purposes only; the broken
lines form no part of the claimed design.

1 Claim, 6 Drawing Sheets



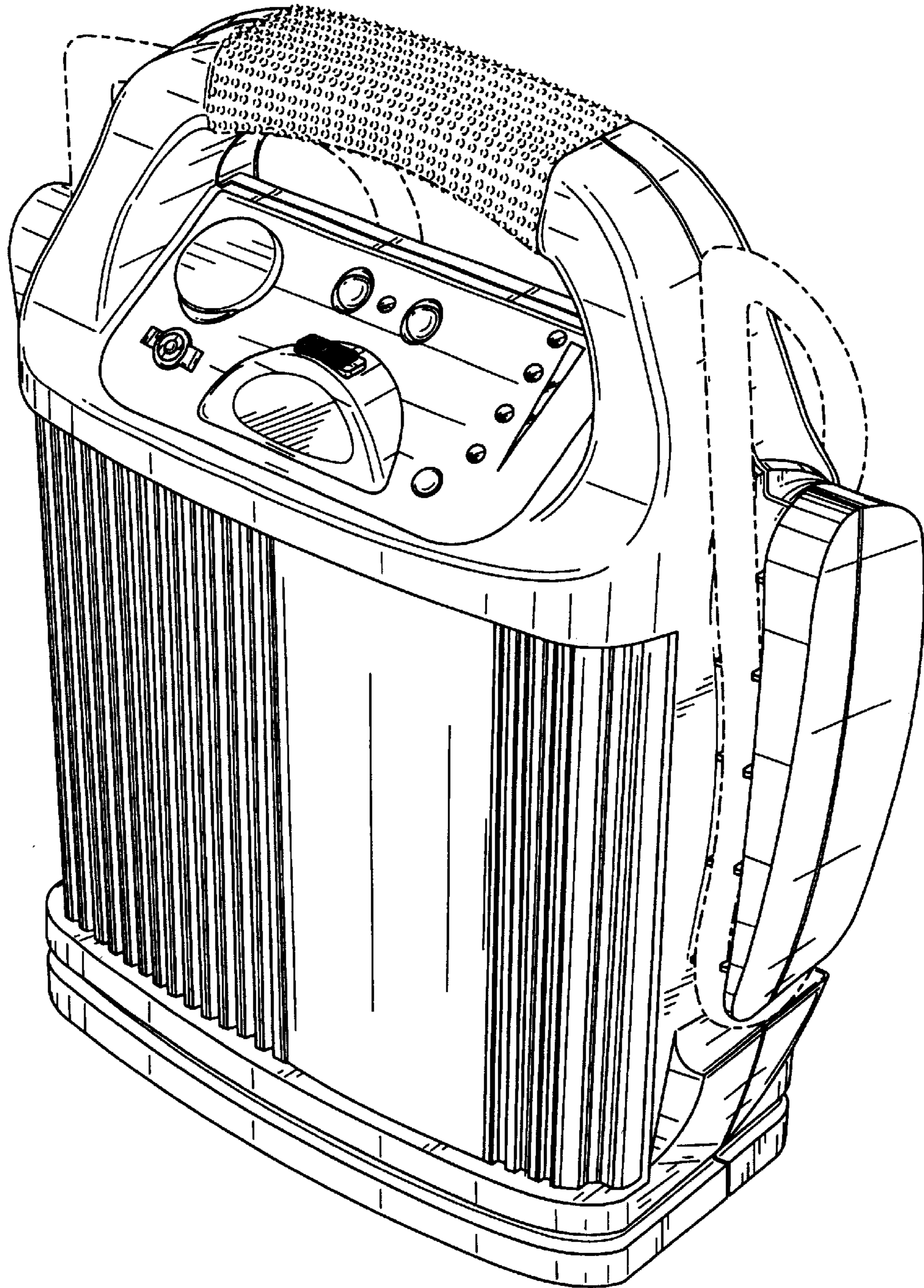


FIG. 1

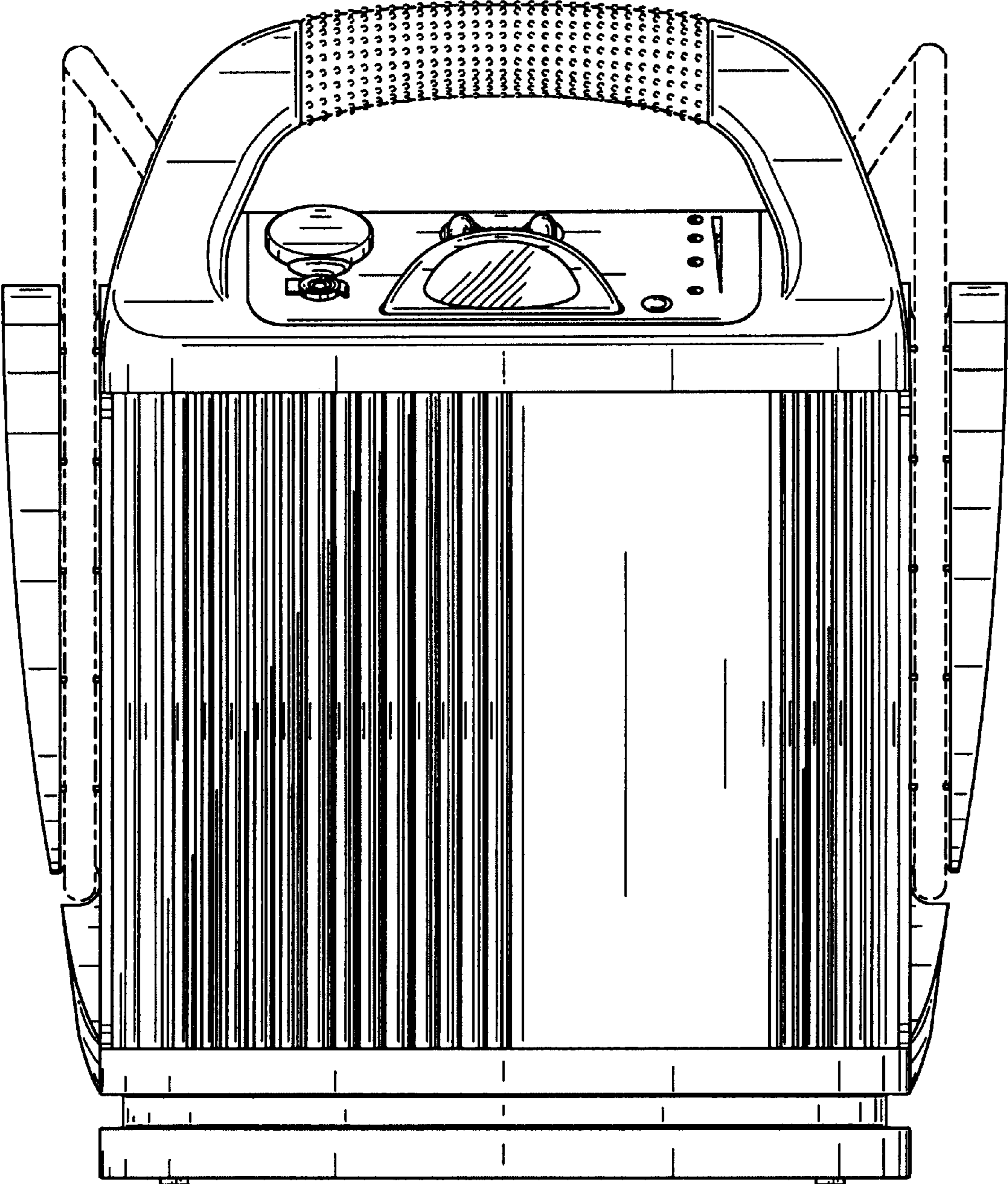


FIG. 2

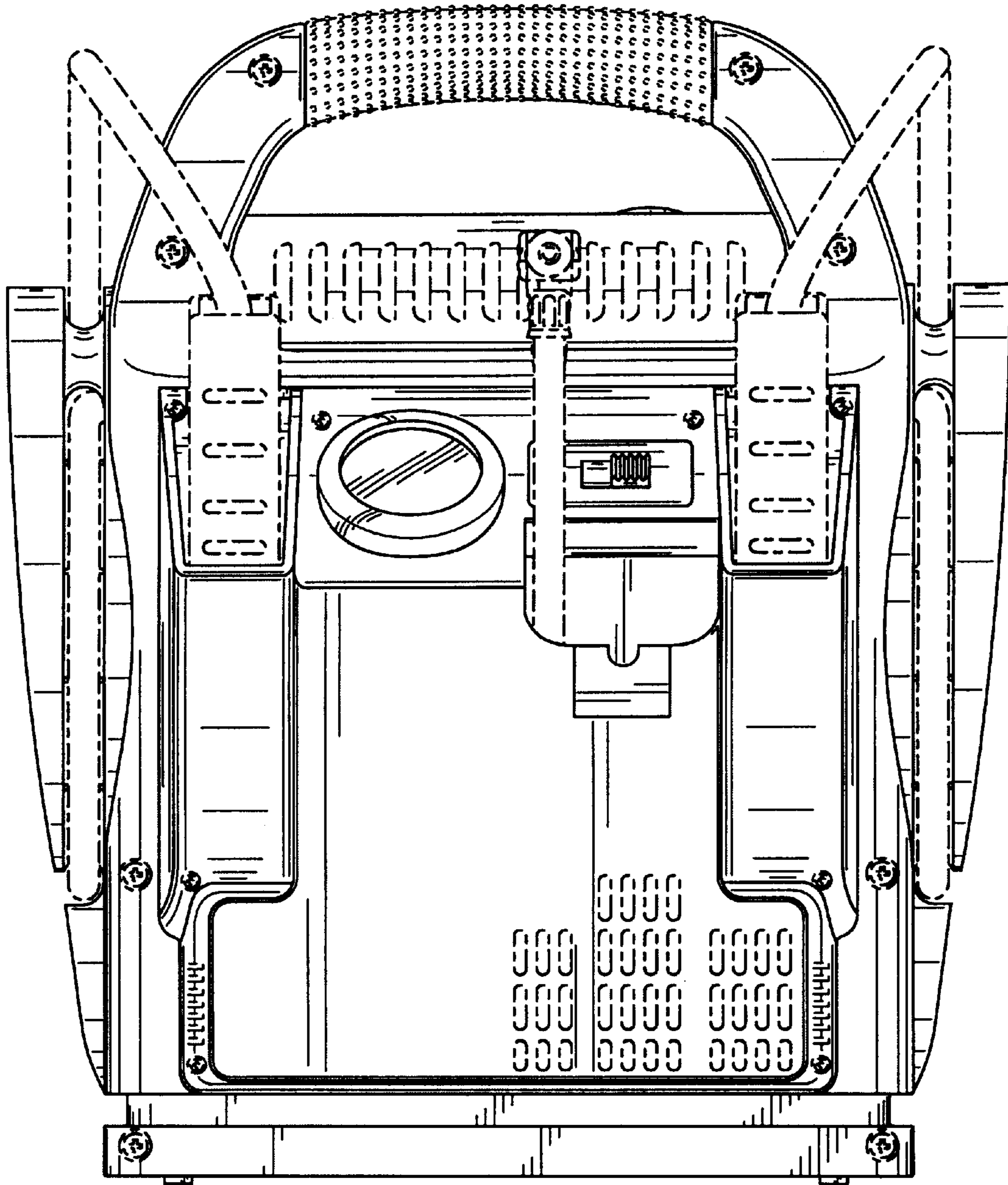


FIG. 3

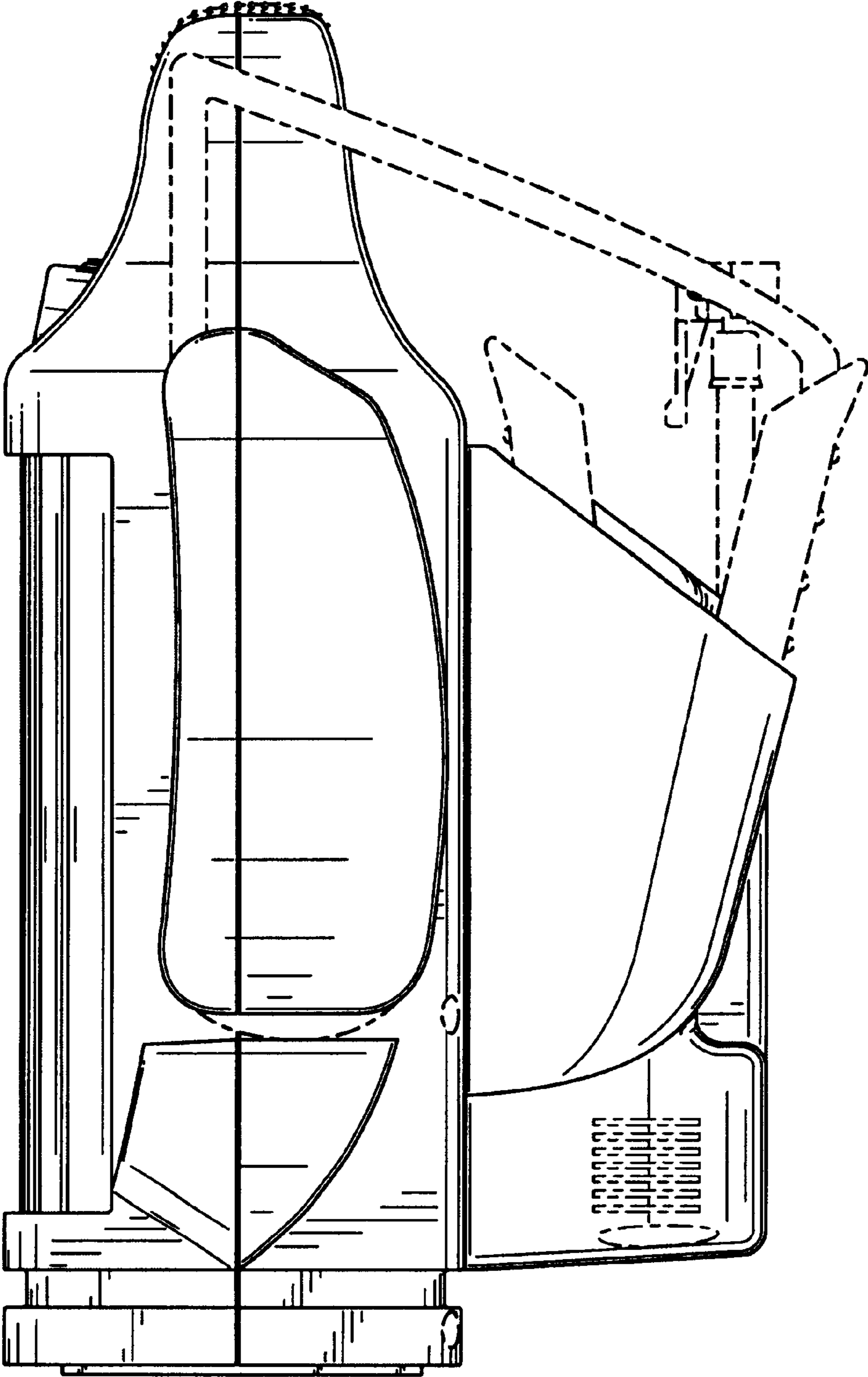


FIG. 4

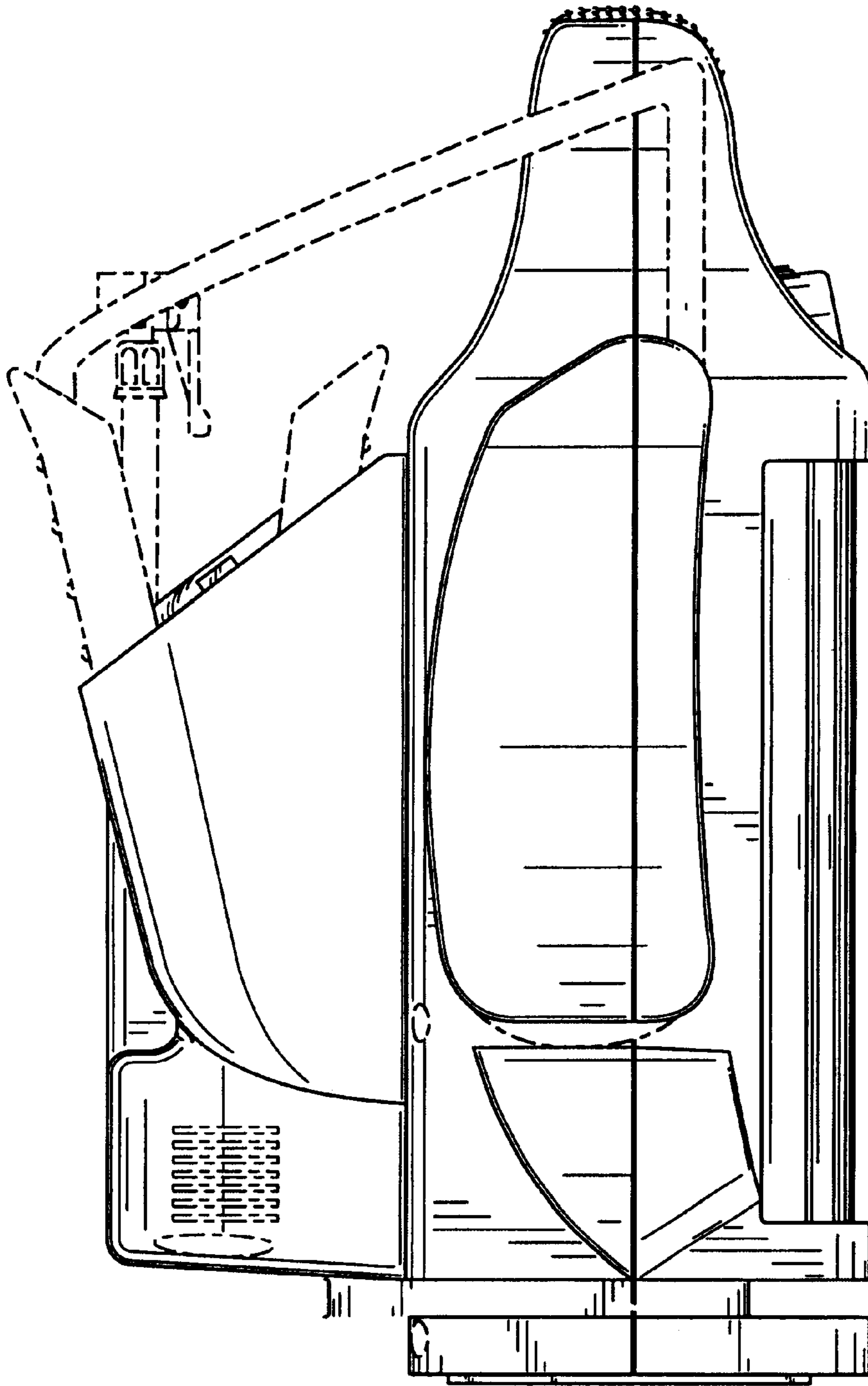


FIG. 5

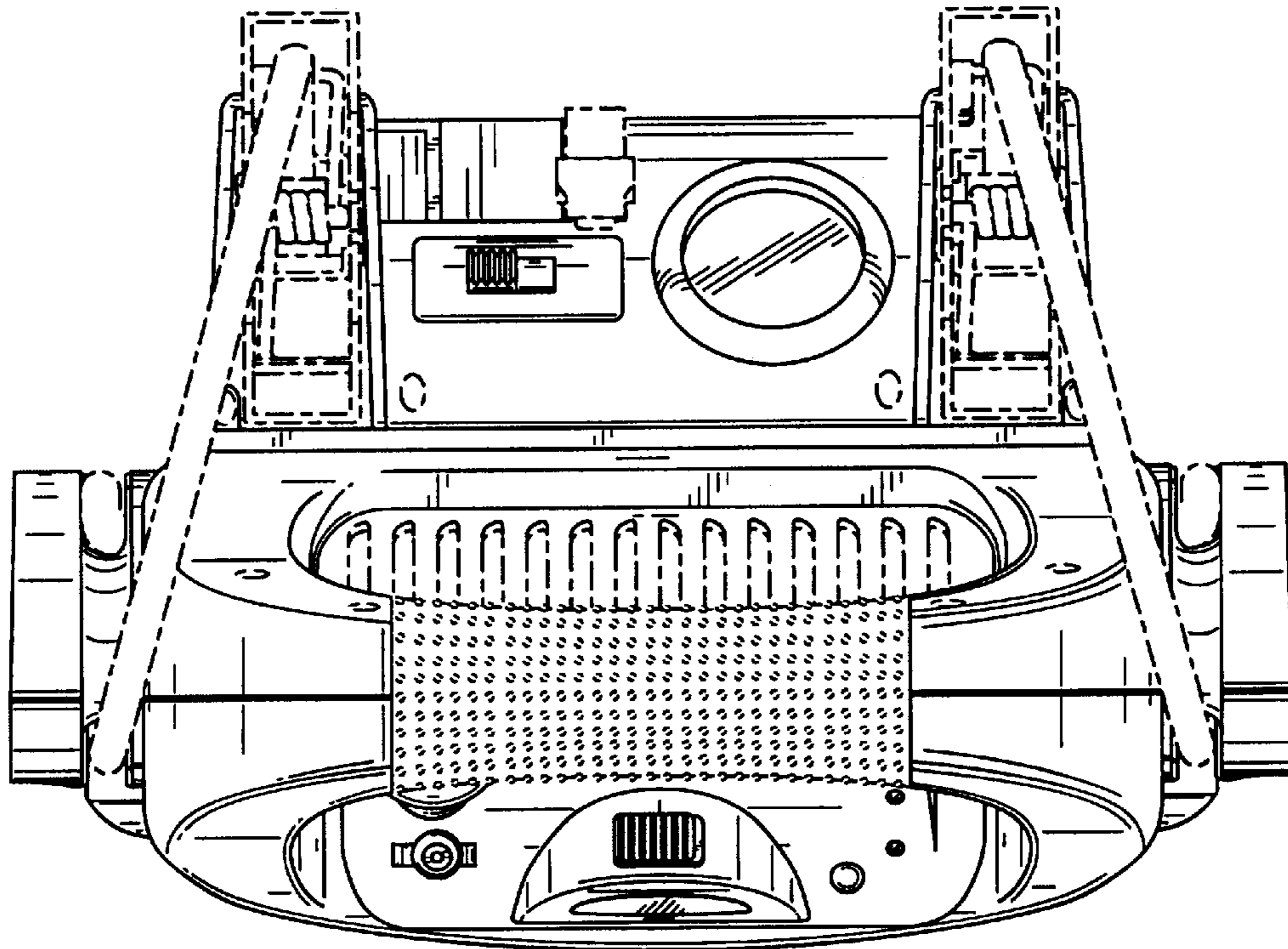


FIG. 6

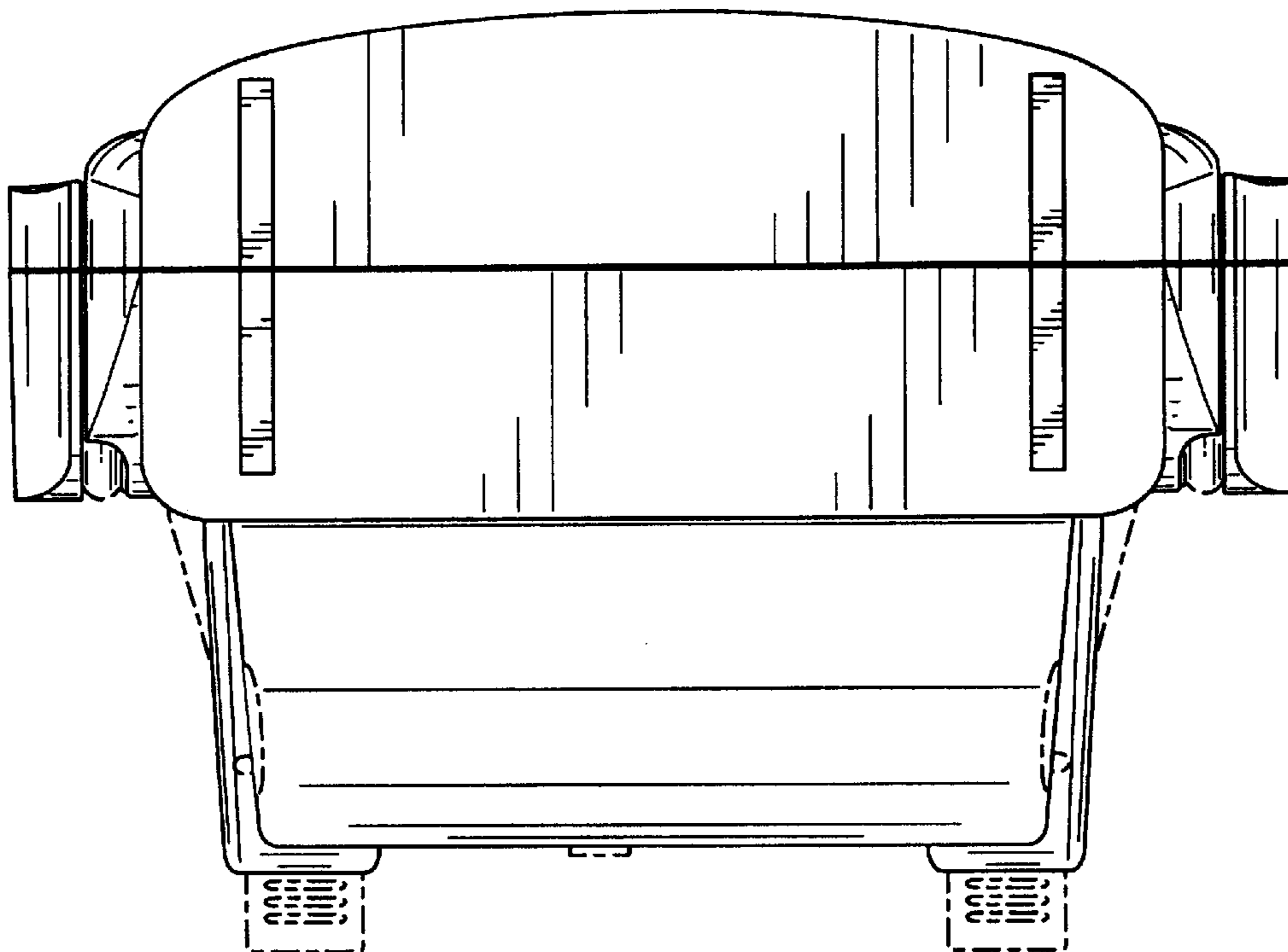


FIG. 7