

US00D493413S1

(12) **United States Design Patent**
Hodgson

(10) **Patent No.:** **US D493,413 S**
(45) **Date of Patent:** **** Jul. 27, 2004**

(54) **WINDSHIELD WIPER CLEANING FLUID RESERVOIR FILLING DEVICE**

D466,072 S * 11/2002 Leutz et al. D12/220
D472,868 S * 4/2003 Lin D12/220

(76) Inventor: **Mark A. Hodgson**, 86 Hungerford Drive, Maidenhead (GB), SL6 7UU

* cited by examiner

Primary Examiner—Stacia Cadmus

(**) Term: **14 Years**

(57) **CLAIM**

(21) Appl. No.: **29/187,128**

The ornamental design for a windshield wiper cleaning fluid reservoir filling device, as shown and described.

(22) Filed: **Jul. 28, 2003**

DESCRIPTION

(51) **LOC (7) Cl.** **12-16**

(52) **U.S. Cl.** **D12/400**

(58) **Field of Search** D12/220, 400;
D23/200; D7/700; D15/150-152; 239/284.1;
220/571-573; 141/331-332

FIG. 1 is a front elevated view of a windshield wiper cleaning fluid reservoir filling device showing my new design;

FIG. 2 is a top plan view of the windshield wiper cleaning fluid reservoir filling device;

FIG. 3 is a bottom plan view of the windshield wiper cleaning fluid reservoir filling device;

FIG. 4 is an end elevated view of the windshield wiper cleaning fluid reservoir filling device; and,

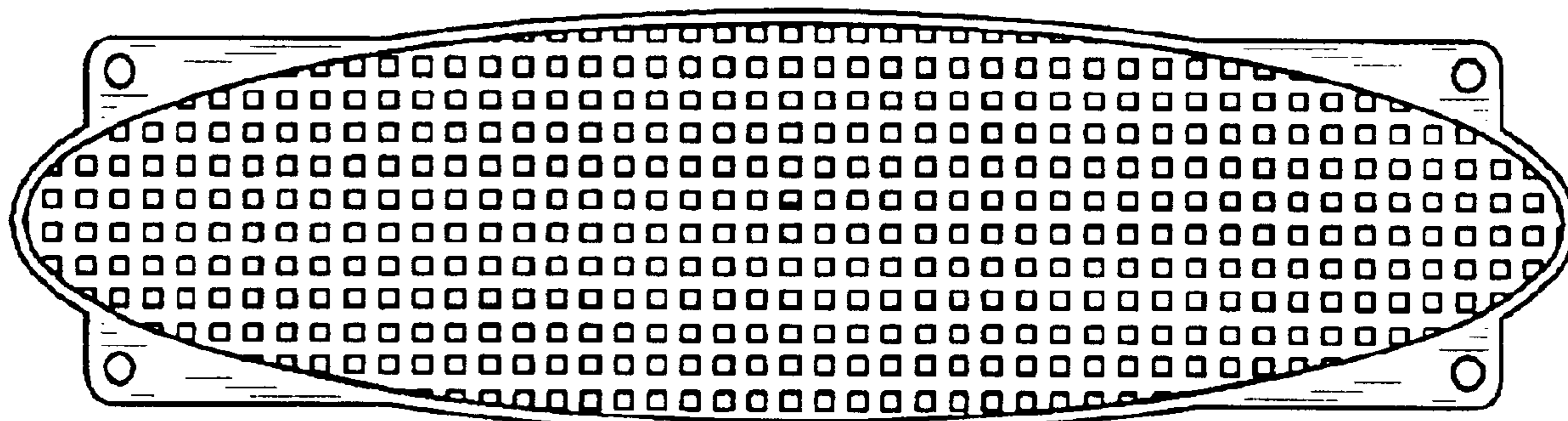
FIG. 5 is a perspective view of the windshield wiper cleaning fluid reservoir filling device.

(56) **References Cited**

U.S. PATENT DOCUMENTS

D301,365 S * 5/1989 Gette D23/200
D317,850 S * 7/1991 Shaw et al. D23/200
D369,850 S * 5/1996 Cammack et al. D23/209
5,577,539 A * 11/1996 Shaw et al. D15/150

1 Claim, 2 Drawing Sheets



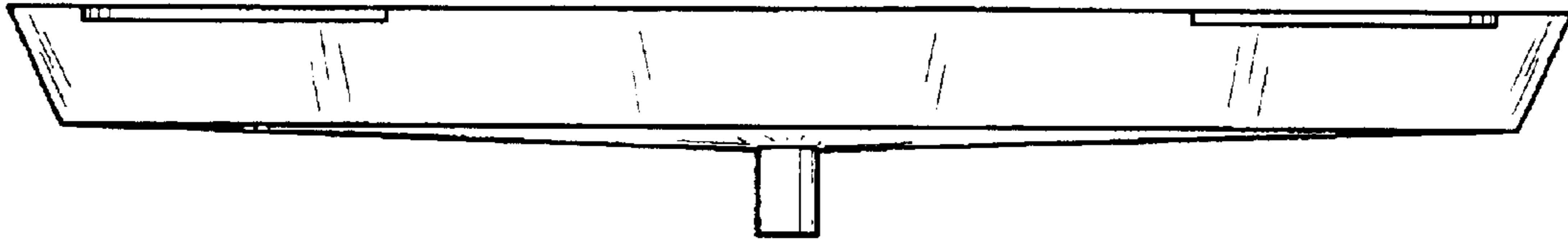


FIG. 1

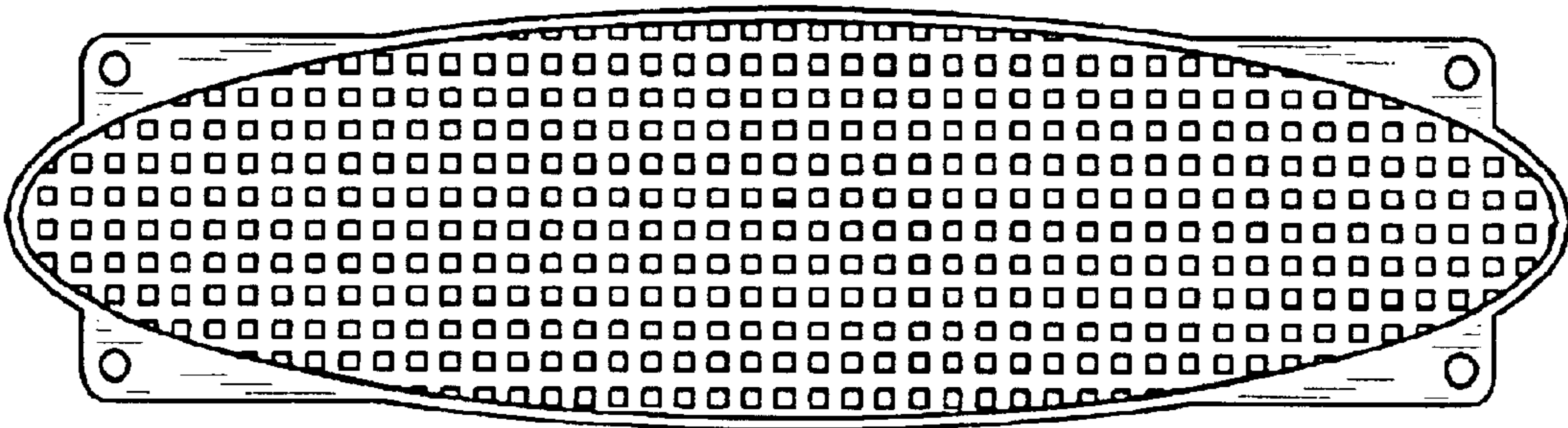


FIG. 2

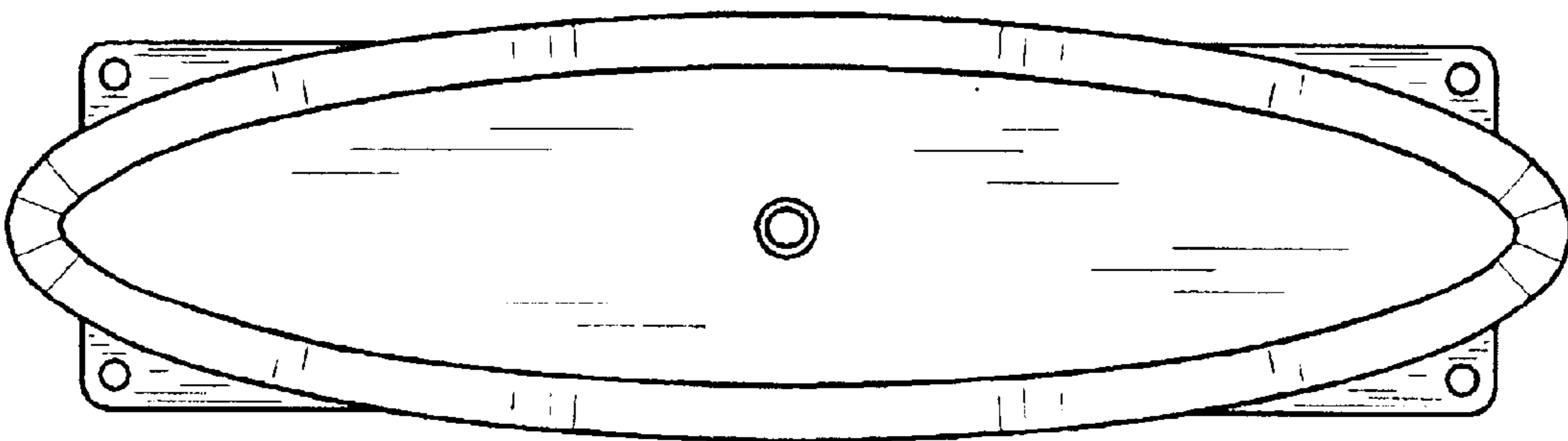


FIG. 3

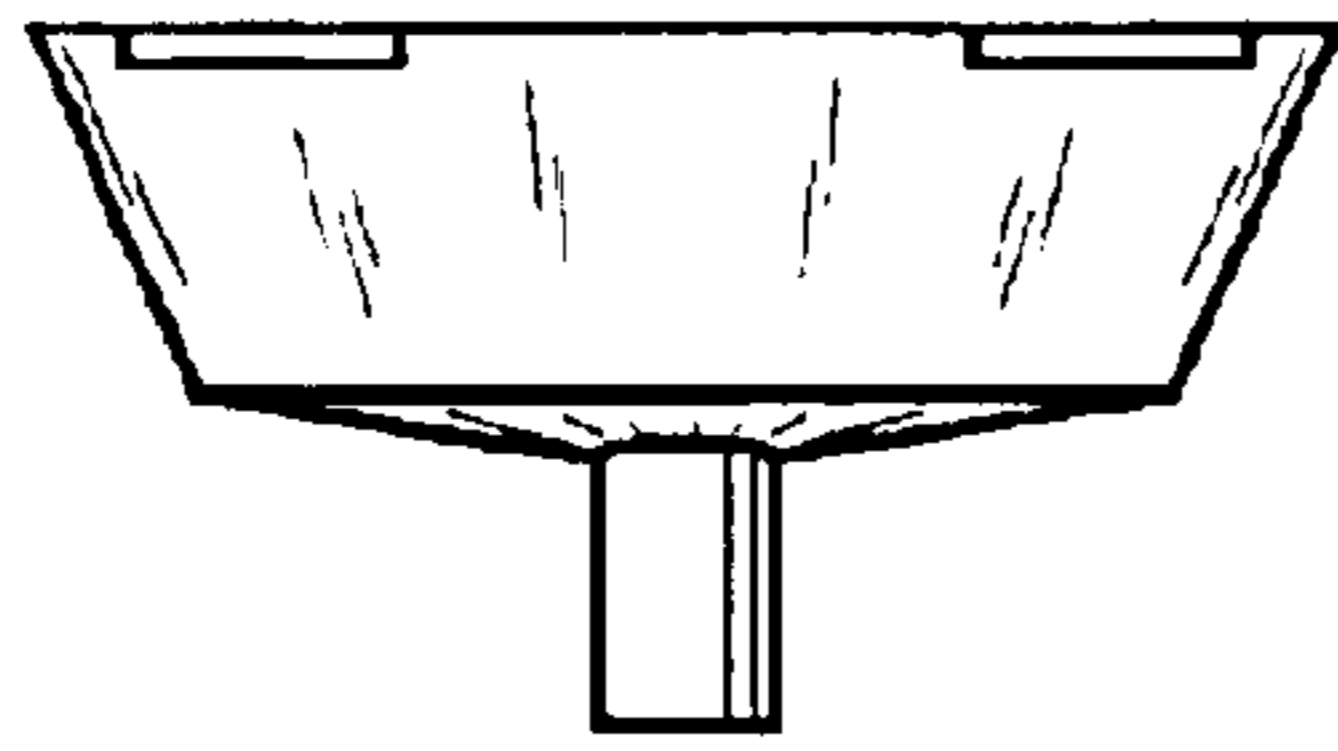


FIG. 4

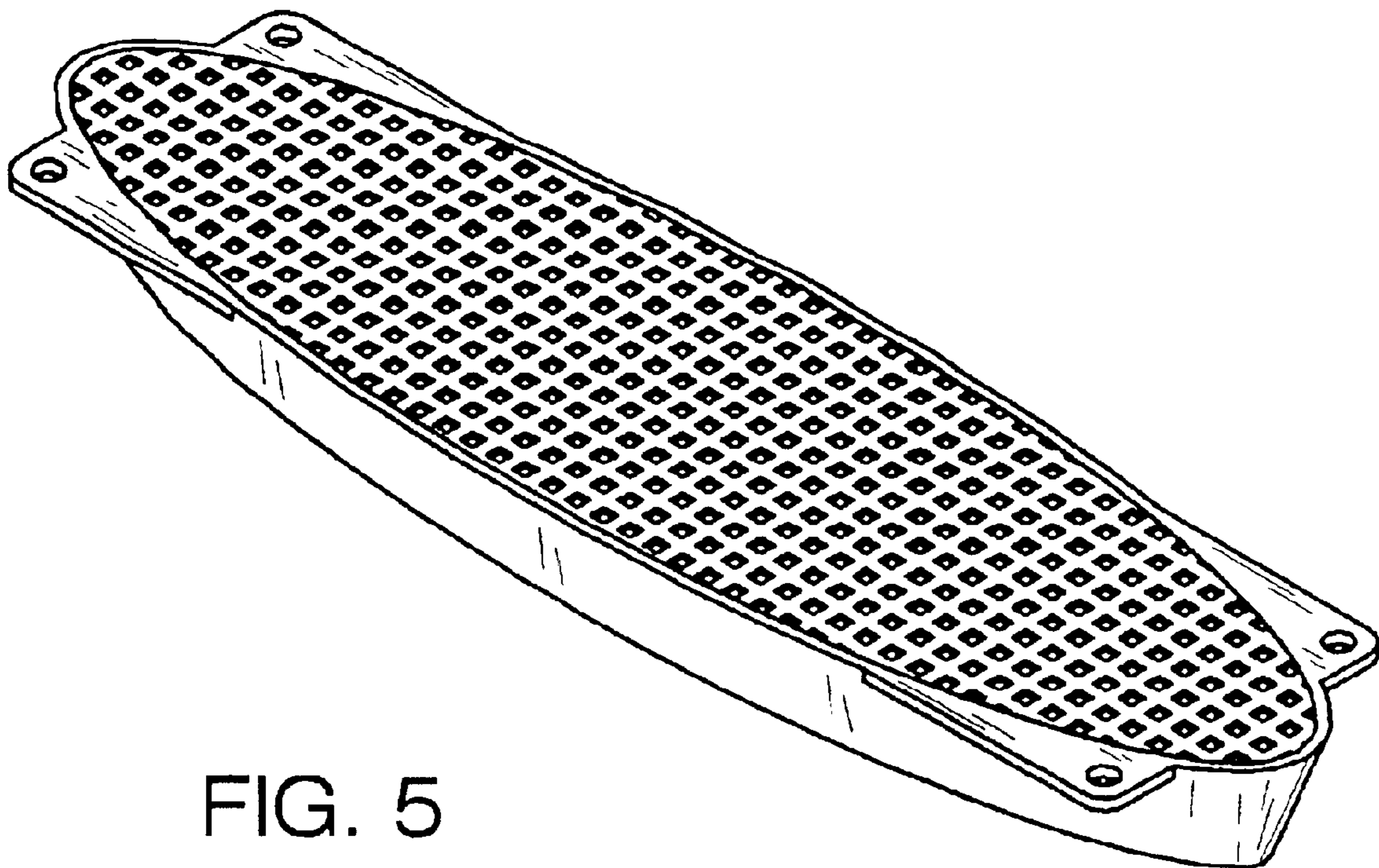


FIG. 5