

US00D493405S1

(12) **United States Design Patent**  
**Boyer**

(10) **Patent No.:** **US D493,405 S**  
(45) **Date of Patent:** **\*\* Jul. 27, 2004**

(54) **FRONT FACE OF A VEHICLE WHEEL**

(75) **Inventor:** **Boyke Boyer, Ismaning (DE)**

(73) **Assignee:** **Bayerische Motoren Werke  
Aktiengesellschaft, Munich (DE)**

(\*\*) **Term:** **14 Years**

(21) **Appl. No.:** **29/188,664**

(22) **Filed:** **Aug. 22, 2003**

(30) **Foreign Application Priority Data**

Feb. 25, 2003 (DE) ..... 4 03 01 698

(51) **LOC (7) Cl.** ..... **12-16**

(52) **U.S. Cl.** ..... **D12/211**

(58) **Field of Search** ..... D12/204-213;  
301/37.101, 64.101, 65

(56) **References Cited**

**U.S. PATENT DOCUMENTS**

- D396,839 S \* 8/1998 Cullen ..... D12/211
- D416,845 S \* 11/1999 Frueh ..... D12/209
- D431,807 S \* 10/2000 Fitzgerald ..... D12/211
- D455,387 S \* 4/2002 McMath ..... D12/209
- D455,696 S \* 4/2002 Foose ..... D12/209
- D457,477 S \* 5/2002 Chung ..... D12/209

- D461,155 S \* 8/2002 Takechi ..... D12/209
- D461,443 S \* 8/2002 Fitzgerald ..... D12/211
- D466,065 S \* 11/2002 Lee ..... D12/209
- D466,460 S \* 12/2002 Kataoka ..... D12/209
- D480,672 S \* 10/2003 Pfeiffer et al. .... D12/209
- D481,347 S \* 10/2003 Kang ..... D12/211
- D484,838 S \* 1/2004 Tai ..... D12/209
- D484,840 S \* 1/2004 Heel ..... D12/209
- D486,108 S \* 2/2004 Min ..... D12/209
- D487,043 S \* 2/2004 McMath ..... D12/209

\* cited by examiner

*Primary Examiner*—Stacia Cadmus

(74) *Attorney, Agent, or Firm*—Crowell & Moring LLP

(57) **CLAIM**

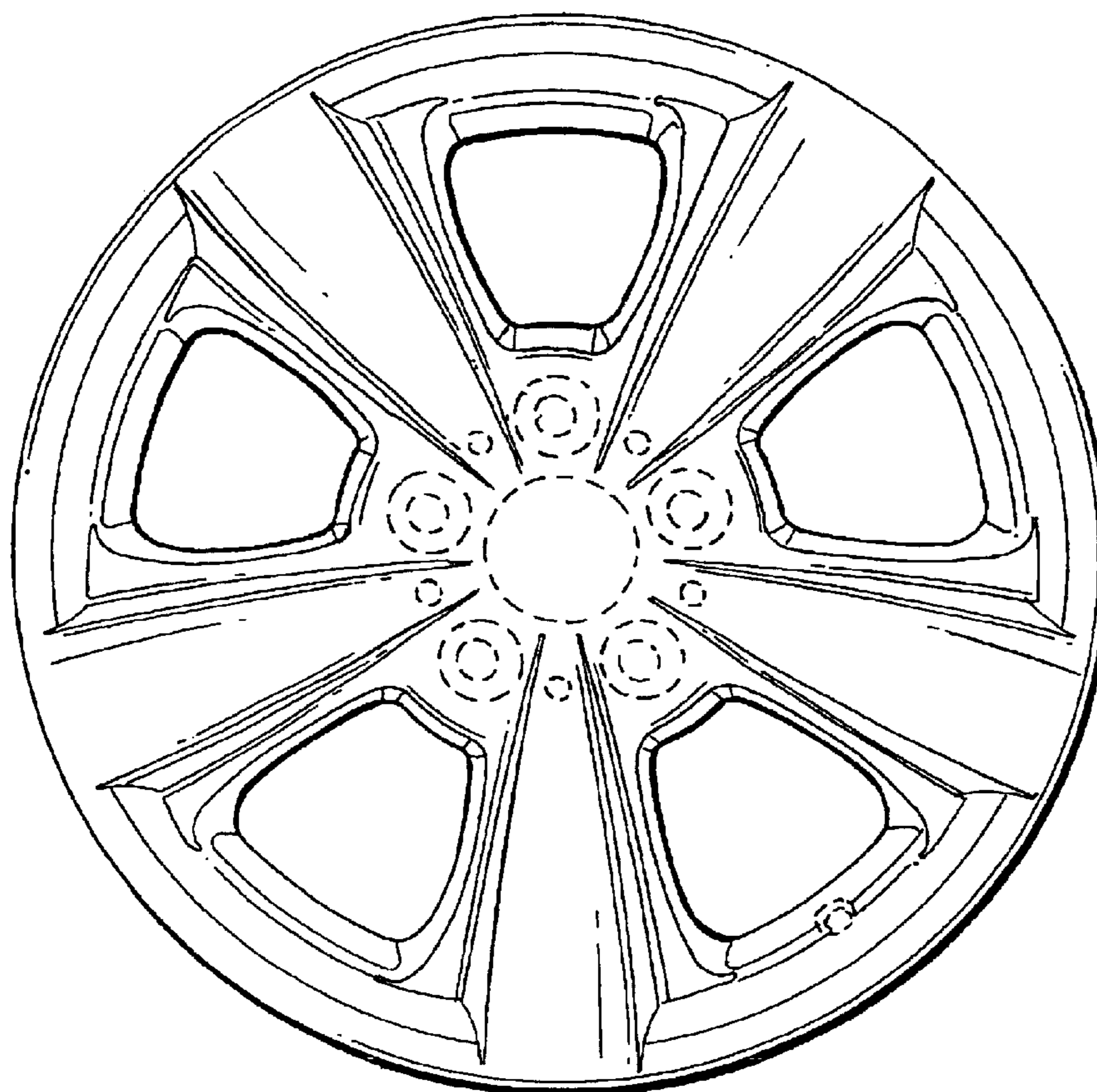
The ornamental design for a front face of a vehicle wheel, as shown and described.

**DESCRIPTION**

FIG. 1 is a front view of a front face of a vehicle wheel according to my novel design; and, FIG. 2 is a perspective view of the front face of a vehicle wheel according to my novel design.

The broken lines are for illustrative purposes only and form no part of the claimed design. Also enclosed is a set of photographs of an embodiment of my invention.

**1 Claim, 1 Drawing Sheet**



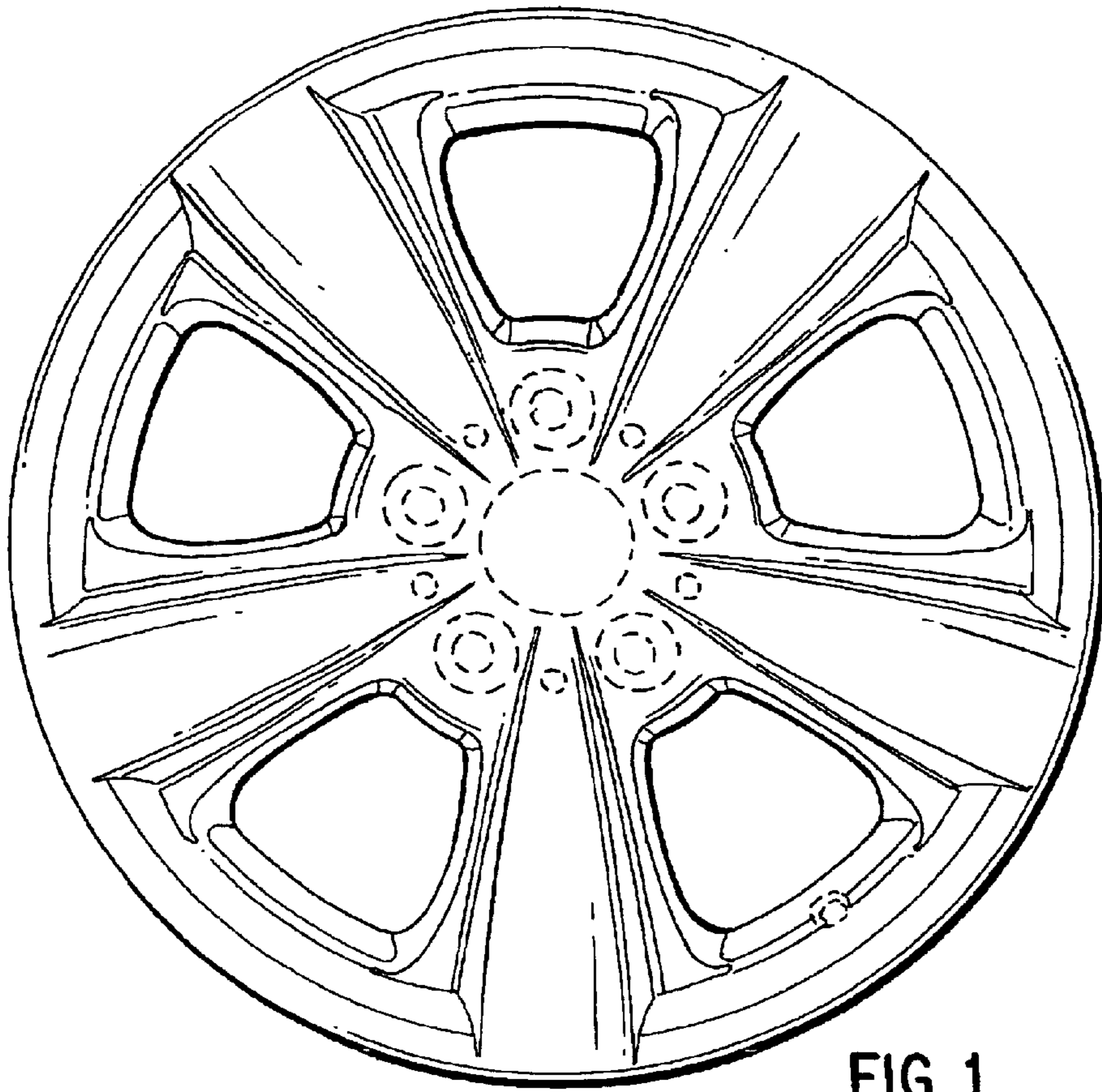


FIG. 1

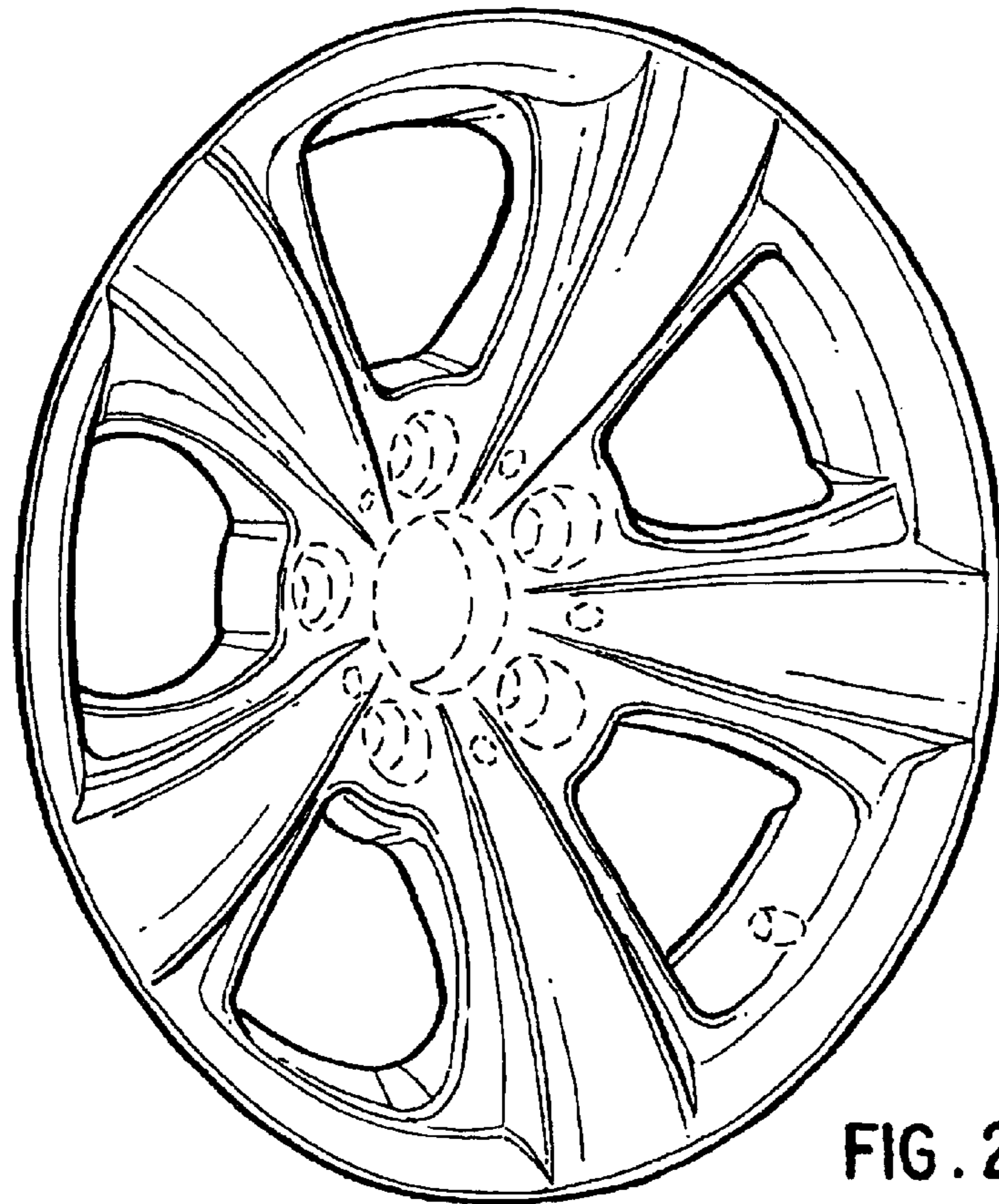


FIG. 2