

US00D493400S1

(12) **United States Design Patent**
Pfeiffer et al.

(10) **Patent No.:** **US D493,400 S**
(45) **Date of Patent:** **** Jul. 27, 2004**

(54) **FRONT FACE OF A VEHICLE WHEEL**

(75) Inventors: **Peter Pfeiffer**, Boeblingen (DE);
Gerhard Honer, Weil der Stadt (DE);
Mathias Lenz, Stuttgart (DE)

(73) Assignee: **DaimlerChrysler AG**, Stuttgart (DE)

(**) Term: **14 Years**

(21) Appl. No.: **29/159,246**

(22) Filed: **Apr. 18, 2002**

(30) **Foreign Application Priority Data**

Oct. 19, 2001 (DE) 401 09 207

(51) **LOC (7) Cl.** **12-16**

(52) **U.S. Cl.** **D12/209**

(58) **Field of Search** D12/204-211;
301/37.101, 64.101, 65

(56) **References Cited**

U.S. PATENT DOCUMENTS

- D197,840 S * 3/1964 Deaver D12/209
- D197,841 S * 3/1964 Deaver D12/209
- D302,264 S * 7/1989 Soederberg D12/209
- D350,523 S * 9/1994 Mobius D12/209
- D370,883 S * 6/1996 Bhambra D12/209

- D384,026 S * 9/1997 Chrysanto D12/209
- D389,112 S * 1/1998 Chung D12/209
- D391,216 S * 2/1998 Bollmann et al. D12/209
- D391,913 S * 3/1998 Chung D12/209
- D407,052 S * 3/1999 Kelley D12/209
- D412,479 S * 8/1999 Sacco et al. D12/209
- D432,970 S * 10/2000 Pfeiffer et al. D12/209
- D436,912 S * 1/2001 Boyer D12/211
- D451,458 S * 12/2001 Sacco et al. D12/209
- D451,466 S * 12/2001 Fujii D12/211
- D452,838 S * 1/2002 Hieke D12/209
- D453,131 S * 1/2002 Gabath D12/209
- D454,821 S * 3/2002 Pfeiffer D12/209
- D467,856 S * 12/2002 Pfeiffer D12/209

* cited by examiner

Primary Examiner—Stacia Cadmus

(74) *Attorney, Agent, or Firm*—Crowell & Moring LLP

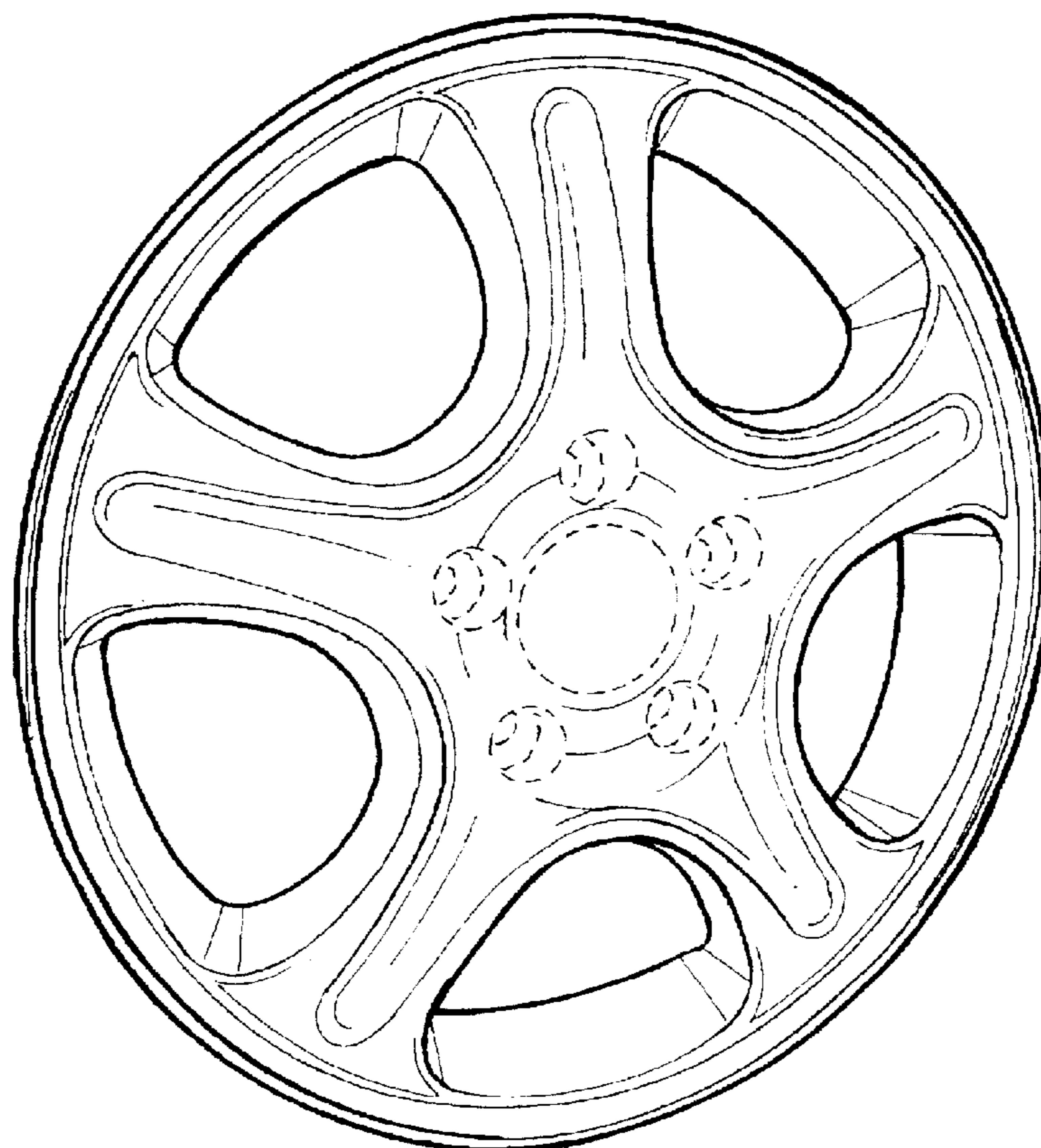
(57) **CLAIM**

The ornamental design for a front face of a vehicle wheel, as shown and described.

DESCRIPTION

FIG. 1 is a front view of a front face of a vehicle wheel according to our novel design; and, FIG. 2 is a perspective view of the front face of a vehicle wheel according to our novel design.

1 Claim, 1 Drawing Sheet



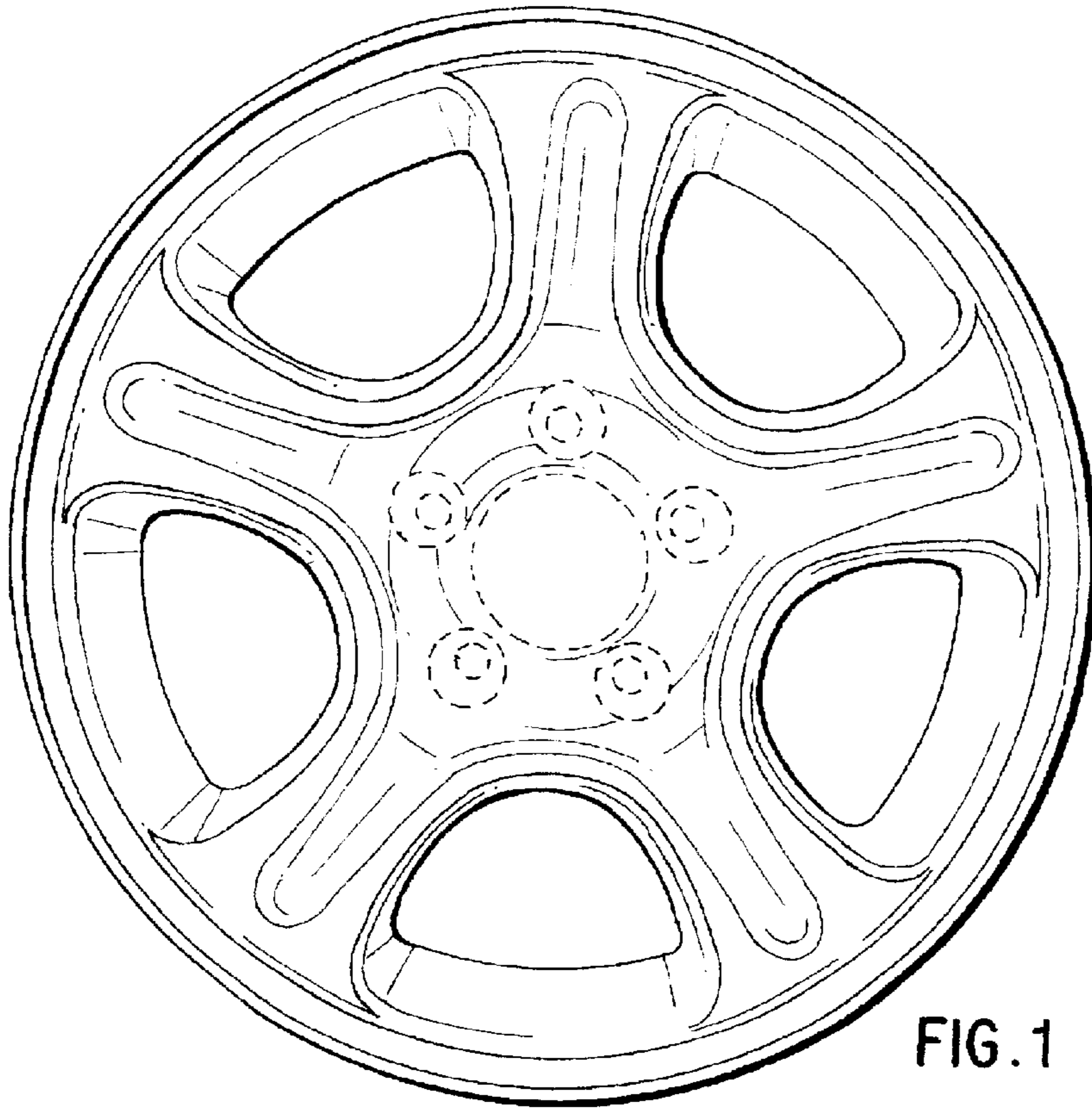


FIG. 1

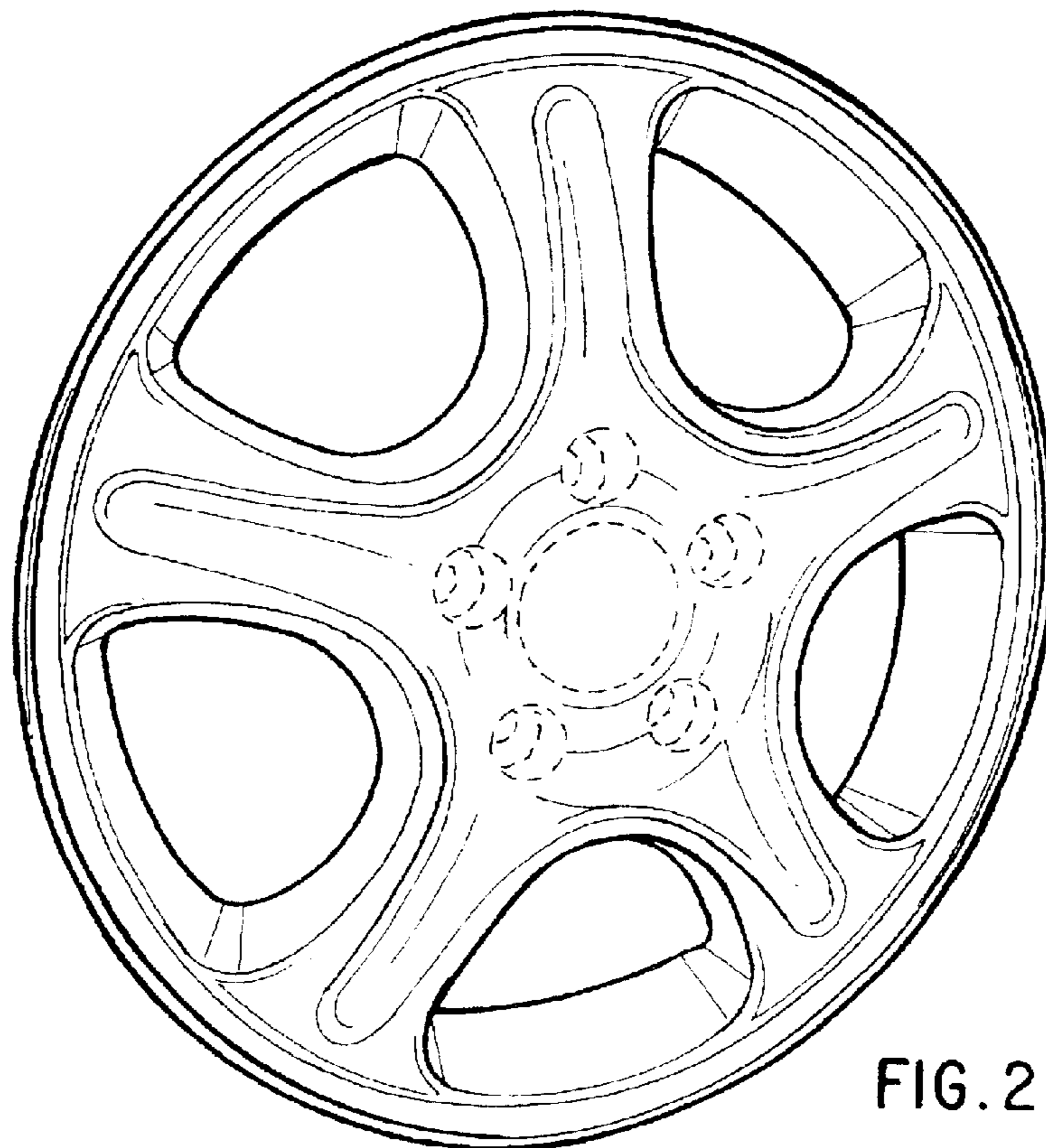


FIG. 2