

US00D493395S1

(12) **United States Design Patent**  
**Hill et al.**

(10) **Patent No.:** **US D493,395 S**

(45) **Date of Patent:** **\*\* Jul. 27, 2004**

(54) **DASH**

(75) Inventors: **Thomas Chilton Hill**, West Bend, WI (US); **James Heinrich Weitz**, Hoboken, NJ (US); **Alberto Mantilla**, Rego Park, NY (US)

(73) Assignee: **Deere & Company**, Moline, IL (US)

(\*\*) Term: **14 Years**

(21) Appl. No.: **29/166,733**

(22) Filed: **Aug. 30, 2002**

(51) **LOC (7) Cl.** ..... **12-16**

(52) **U.S. Cl.** ..... **D12/192**

(58) **Field of Search** ..... D12/192, 415;  
180/90; 280/750, 752, DIG. 5; 296/190-191,  
70-74; 248/27.1-27.3, 904

(56) **References Cited**

**U.S. PATENT DOCUMENTS**

D154,576 S	*	7/1949	Anderson	.....	D12/192
D313,967 S	*	1/1991	Haag et al.	.....	D12/192
D313,968 S	*	1/1991	Brunger et al.	.....	D12/192
D319,614 S	*	9/1991	Slyter	.....	D12/192
D323,314 S	*	1/1992	Slyter	.....	D12/192
D326,662 S	*	6/1992	Holm et al.	.....	D15/17
D336,459 S	*	6/1993	Tisten et al.	.....	D12/192
D339,786 S	*	9/1993	Allendorph et al.	.....	D12/192

D378,585 S	*	3/1997	Duguid et al.	.....	D12/192
D378,910 S	*	4/1997	Black et al.	.....	D12/192
D397,977 S	*	9/1998	Hellhake et al.	.....	D12/192
D405,408 S	*	2/1999	Yoshida et al.	.....	D12/192
D413,095 S	*	8/1999	Abalos et al.	.....	D12/192
D423,434 S	*	4/2000	Yano et al.	.....	D12/192
D423,435 S	*	4/2000	Sato	.....	D12/192
D432,474 S	*	10/2000	Sacco et al.	.....	D12/192
D439,556 S	*	3/2001	Beigel	.....	D12/192
D449,263 S	*	10/2001	Yamazaki et al.	.....	D12/192
D464,008 S	*	10/2002	Siegert et al.	.....	D12/192

\* cited by examiner

*Primary Examiner*—Stacia Cadmus

(57) **CLAIM**

The ornamental design for a dash, as shown and described.

**DESCRIPTION**

FIG. 1 is a right rear elevated perspective view of a dash showing our new design.

FIG. 2 is a plan view of the dash design of FIG. 1.

FIG. 3 is a rear view of the dash design of FIG. 1.

FIG. 4 is a front view of the dash design of FIG. 1.

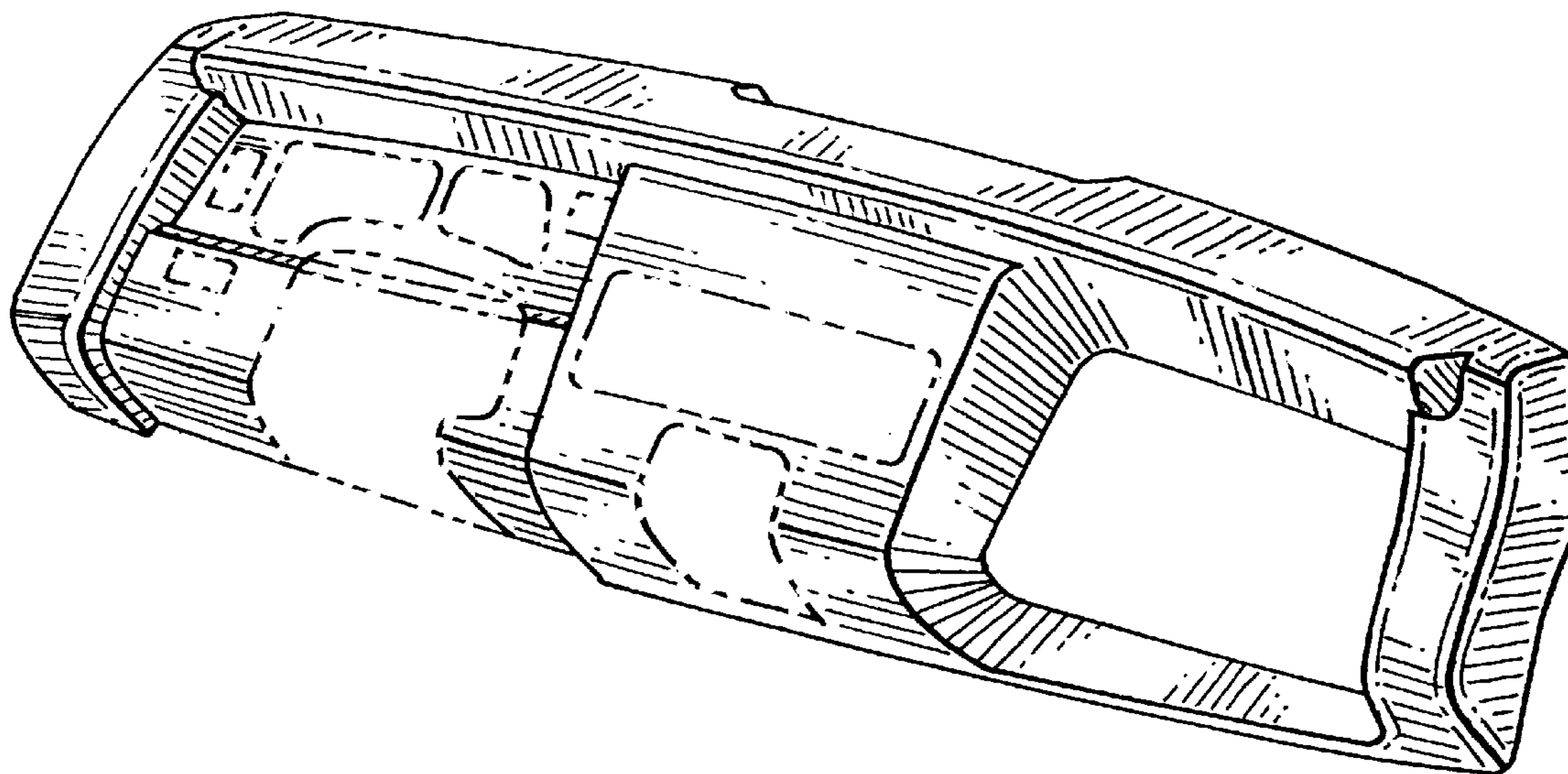
FIG. 5 is a bottom view of the dash design of FIG. 1.

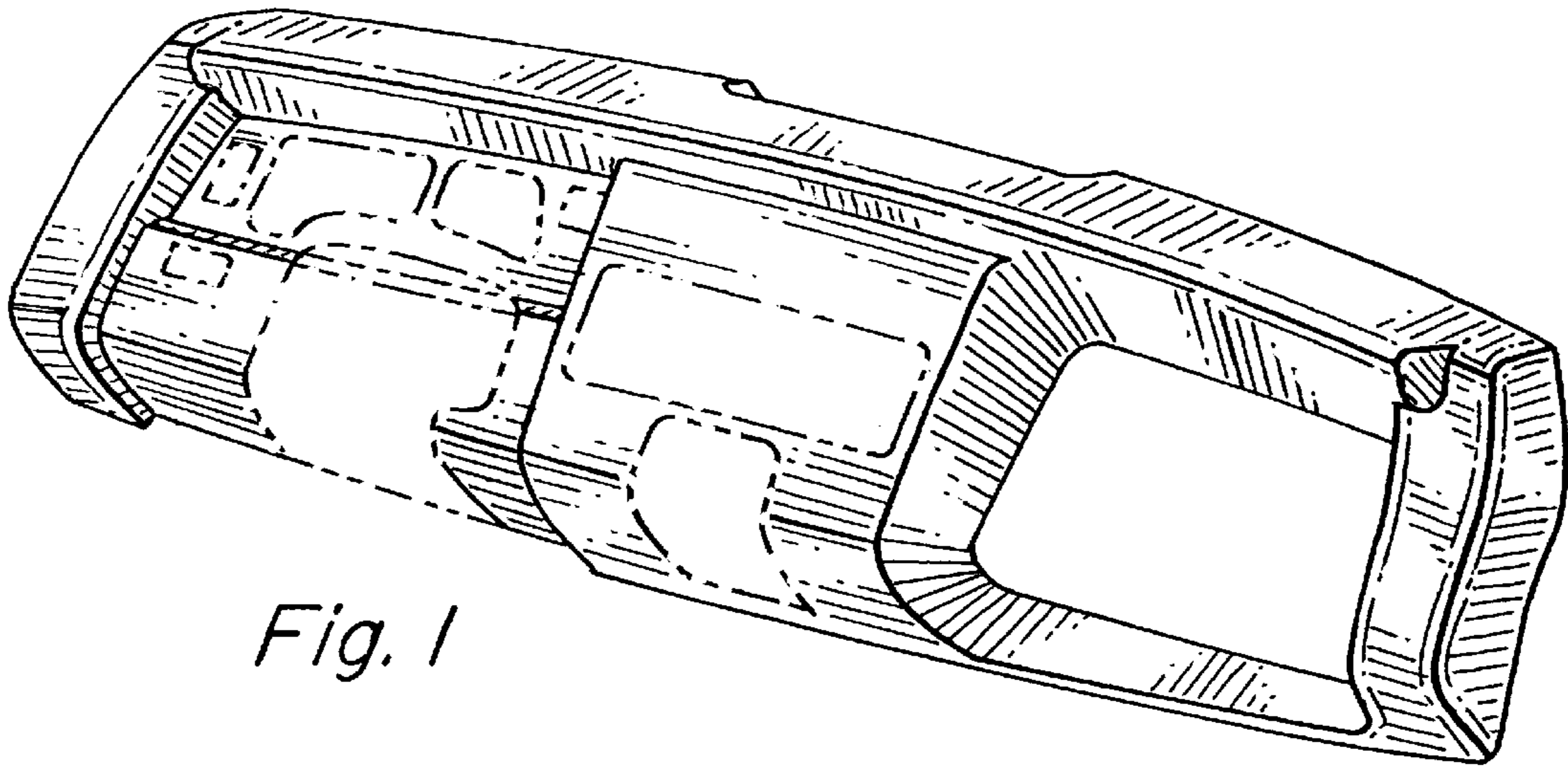
FIG. 6 is a left side view of the dash design of FIG. 1; and,

FIG. 7 is a right side view of the dash design of FIG. 1.

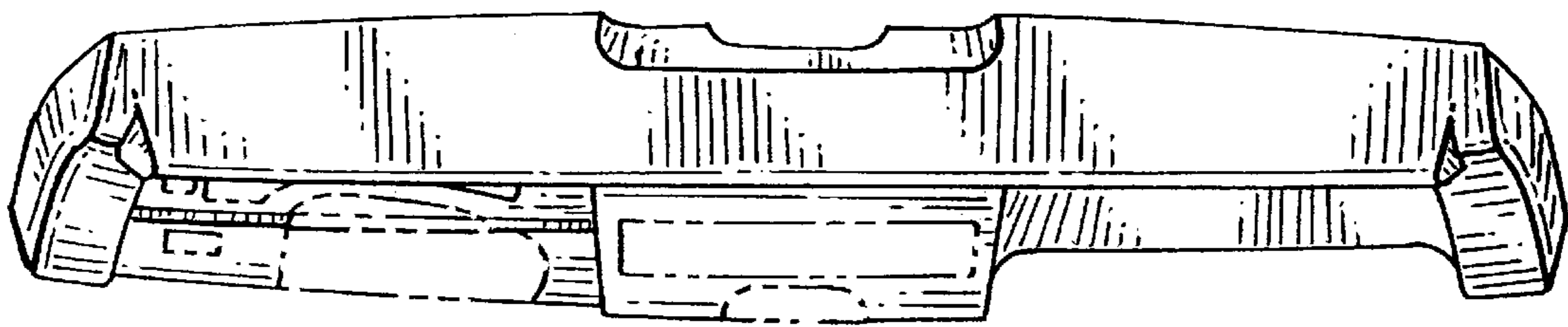
The broken line showing of environment is for illustrative purposes only and forms no part of the claimed design.

**1 Claim, 2 Drawing Sheets**

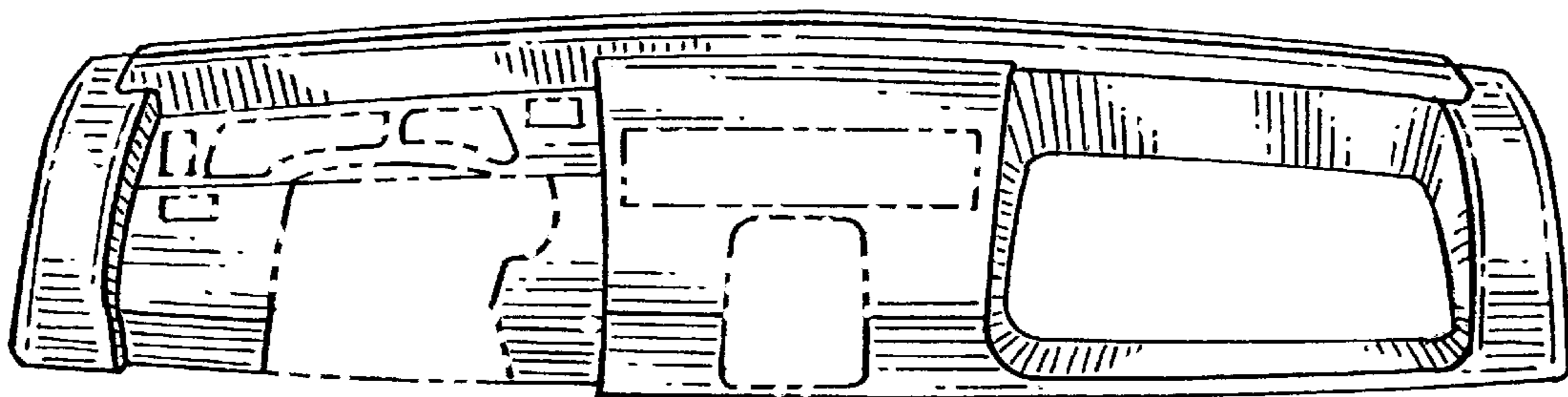




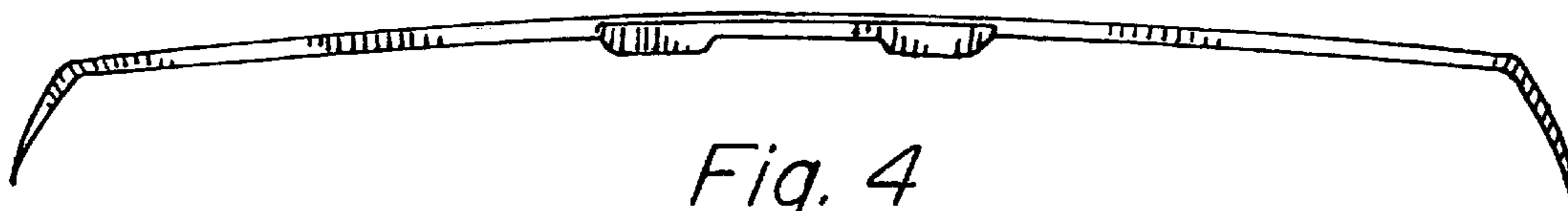
*Fig. 1*



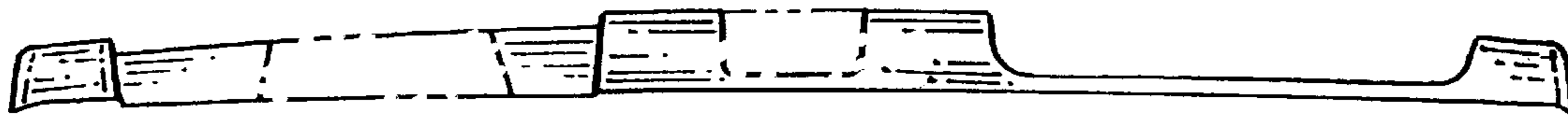
*Fig. 2*



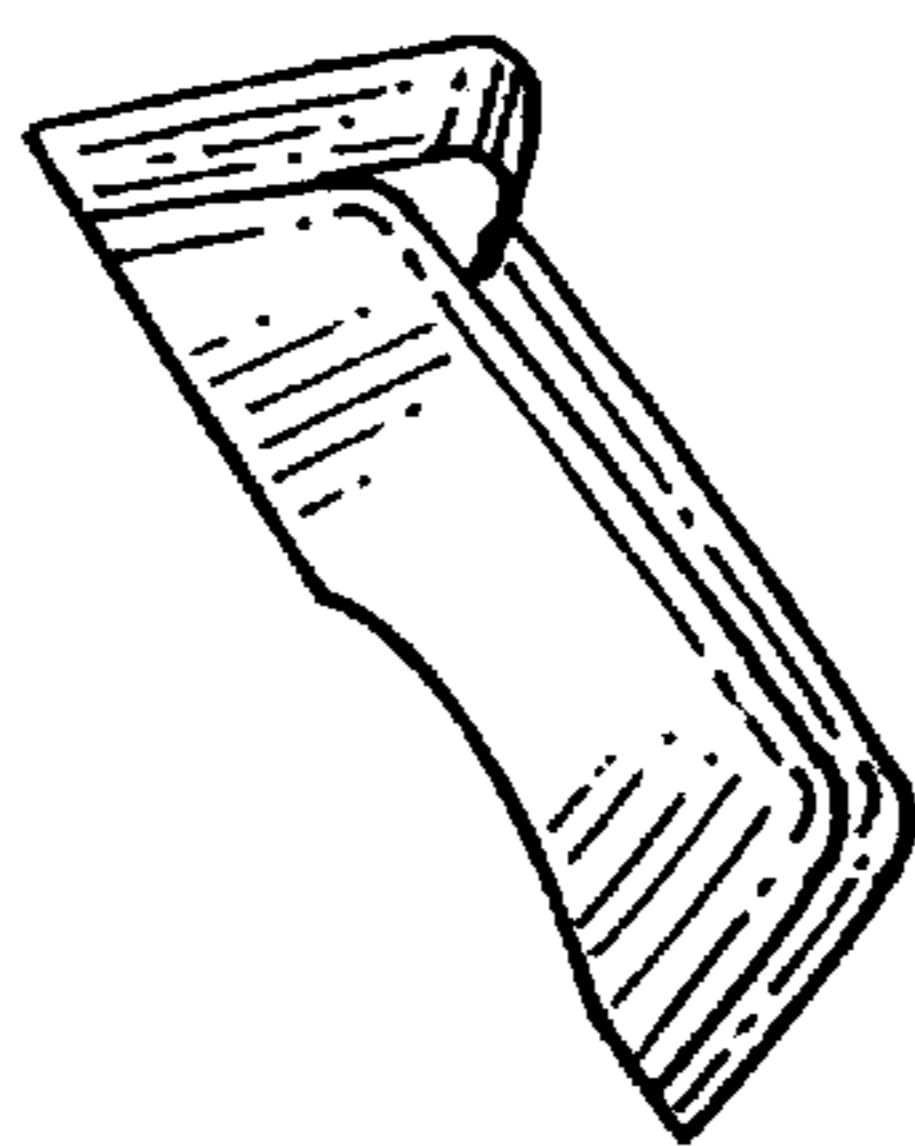
*Fig. 3*



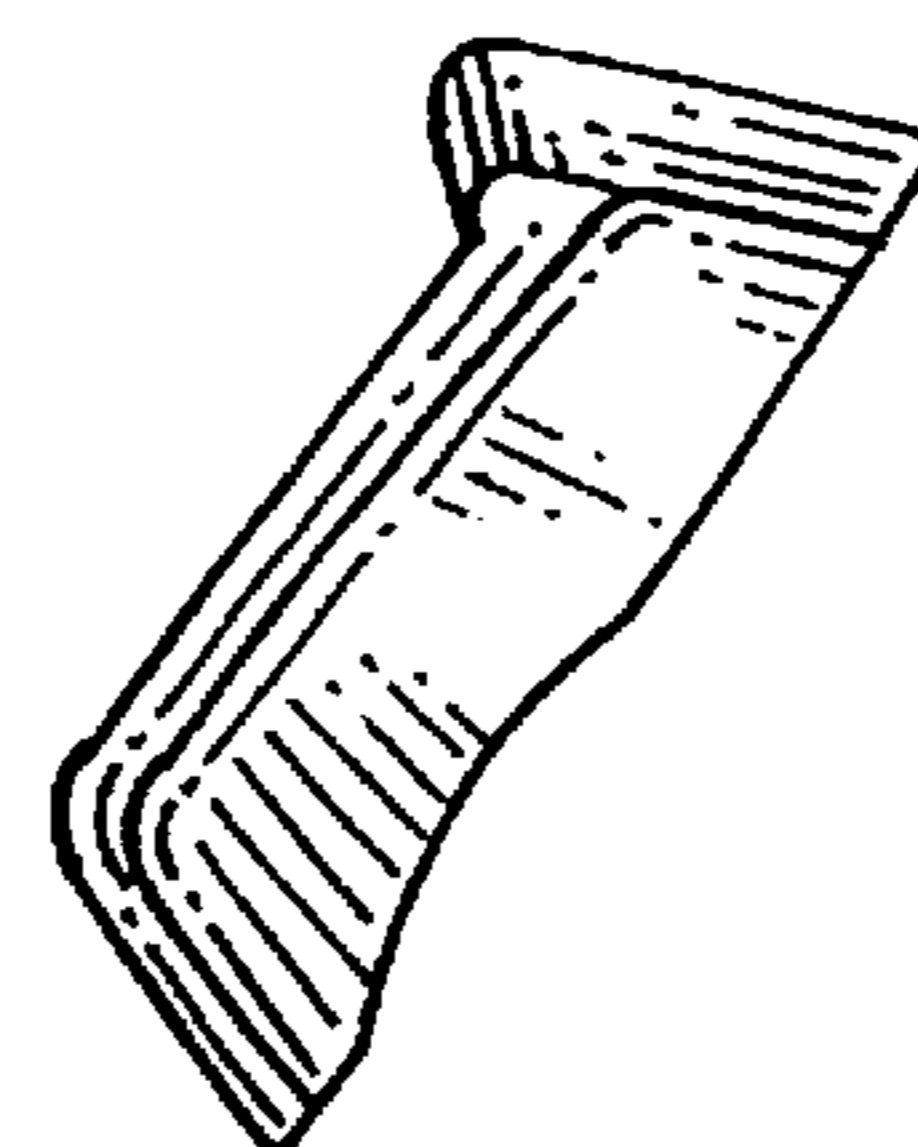
*Fig. 4*



*Fig. 5*



*Fig. 6*



*Fig. 7*