

US00D493387S1

(12) **United States Design Patent** (10) **Patent No.:** **US D493,387 S**  
**Rada** (45) **Date of Patent:** **\*\* Jul. 27, 2004**

(54) **ZIPPER PULL**

(75) **Inventor:** **Georgene Rada**, East Northport, NY (US)

(73) **Assignee:** **United States Luggage, L.P.**, Happauge, NY (US)

(\*\*) **Term:** **14 Years**

(21) **Appl. No.:** **29/168,561**

(22) **Filed:** **Oct. 3, 2002**

(51) **LOC (7) Cl.** ..... **02-67**

(52) **U.S. Cl.** ..... **D11/221**

(58) **Field of Search** ..... D11/200, 221;  
24/415-417, 419, 421, 427-431, 381, 387,  
385

(56) **References Cited**

**U.S. PATENT DOCUMENTS**

- D324,663 S \* 3/1992 Ebata ..... D11/221
- D379,162 S \* 5/1997 Melk ..... D11/221
- 6,467,135 B1 \* 10/2002 Schuster et al. .... 24/386

\* cited by examiner

*Primary Examiner*—Ralf Seifert

(74) *Attorney, Agent, or Firm*—Abelman, Frayne & Schwab

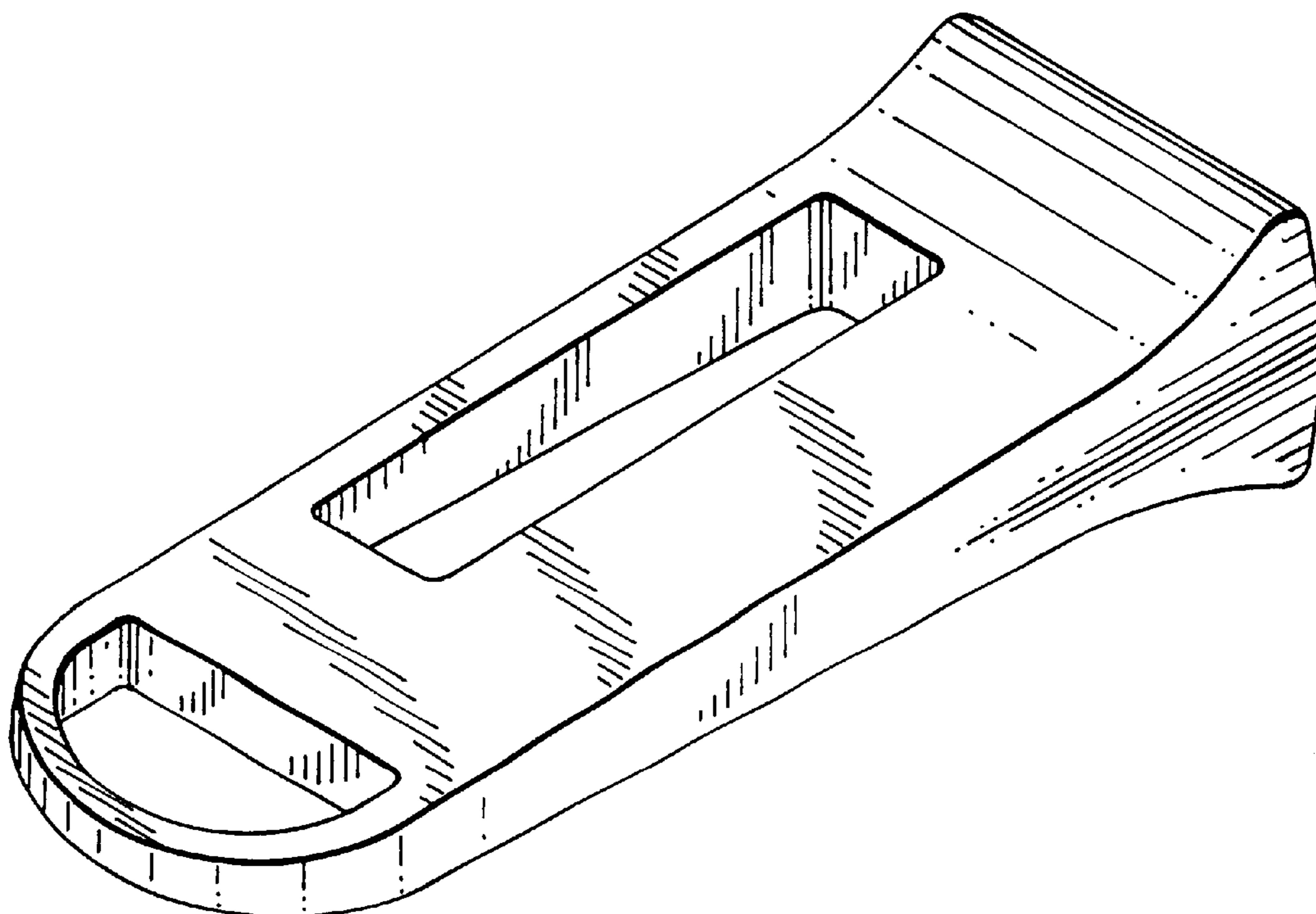
(57) **CLAIM**

The ornamental design for a zipper pull, as shown and described.

**DESCRIPTION**

FIG. 1 is a top and right side perspective view from above of a zipper pull embodying my new design;  
 FIG. 2 is a front elevational view thereof;  
 FIG. 3 is a rear elevational view thereof;  
 FIG. 4 is a left side elevational view thereof, the right side elevational view being a mirror image thereof;  
 FIG. 5 is a top plan view thereof, the bottom plan view being a mirror image thereof;  
 FIG. 6 is a right side perspective view from above of an alternative embodiment of a zipper pull embodying my new design;  
 FIG. 7 is a front elevational view thereof;  
 FIG. 8 is a rear elevational view thereof;  
 FIG. 9 is a left side elevational view thereof, the right side elevational view being a mirror image thereof;  
 FIG. 10 is a top plan view thereof, the bottom plan view being a mirror image thereof;  
 FIG. 11 is a right side perspective view from above of a second alternative zipper pull embodying my new design;  
 FIG. 12 is a front elevational view thereof;  
 FIG. 13 is a rear elevational view thereof;  
 FIG. 14 is a left side elevational view thereof, the right side elevational view being a mirror image thereof; and,  
 FIG. 15 is a top plan view thereof, the bottom plan view being a mirror image thereof.

**1 Claim, 6 Drawing Sheets**



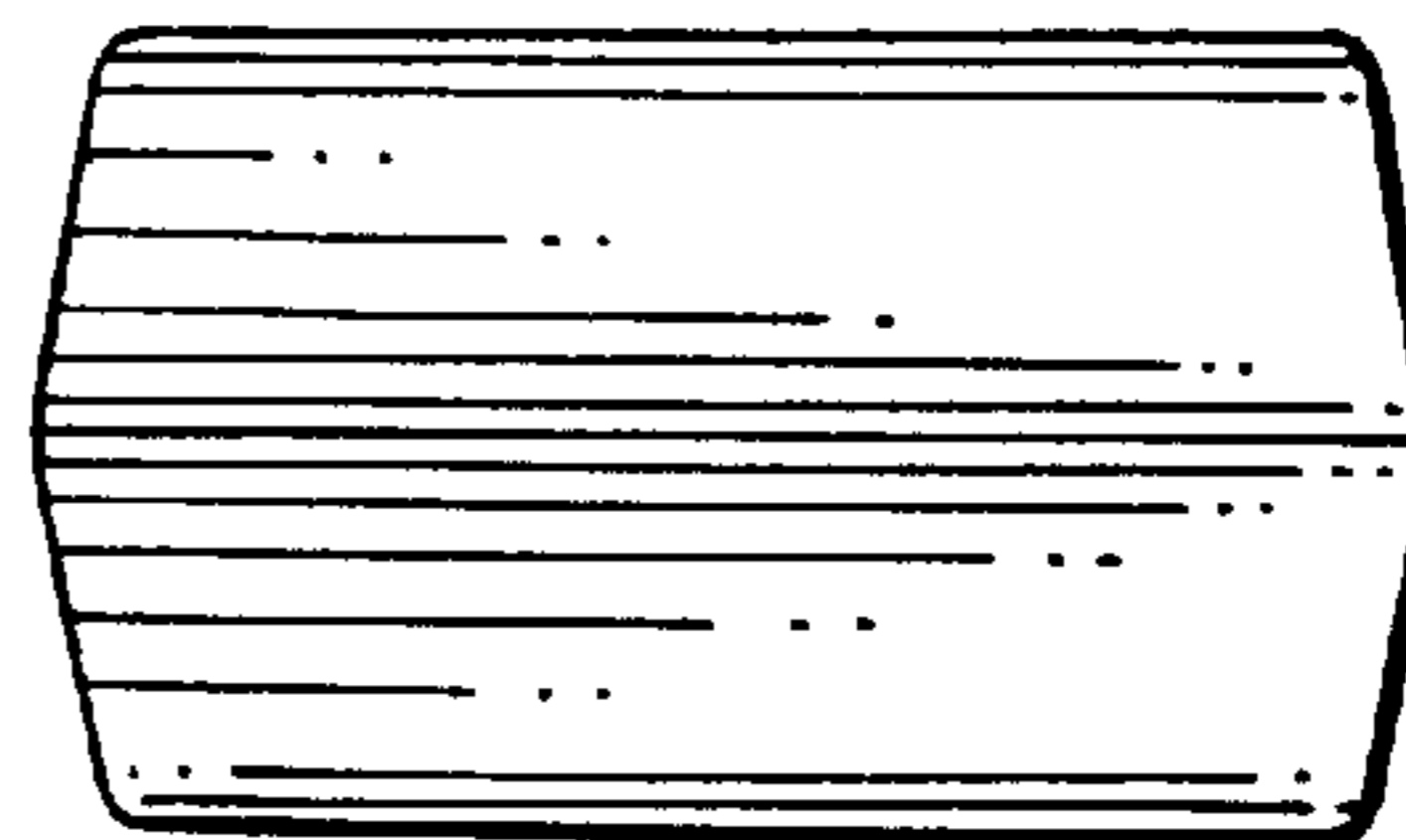
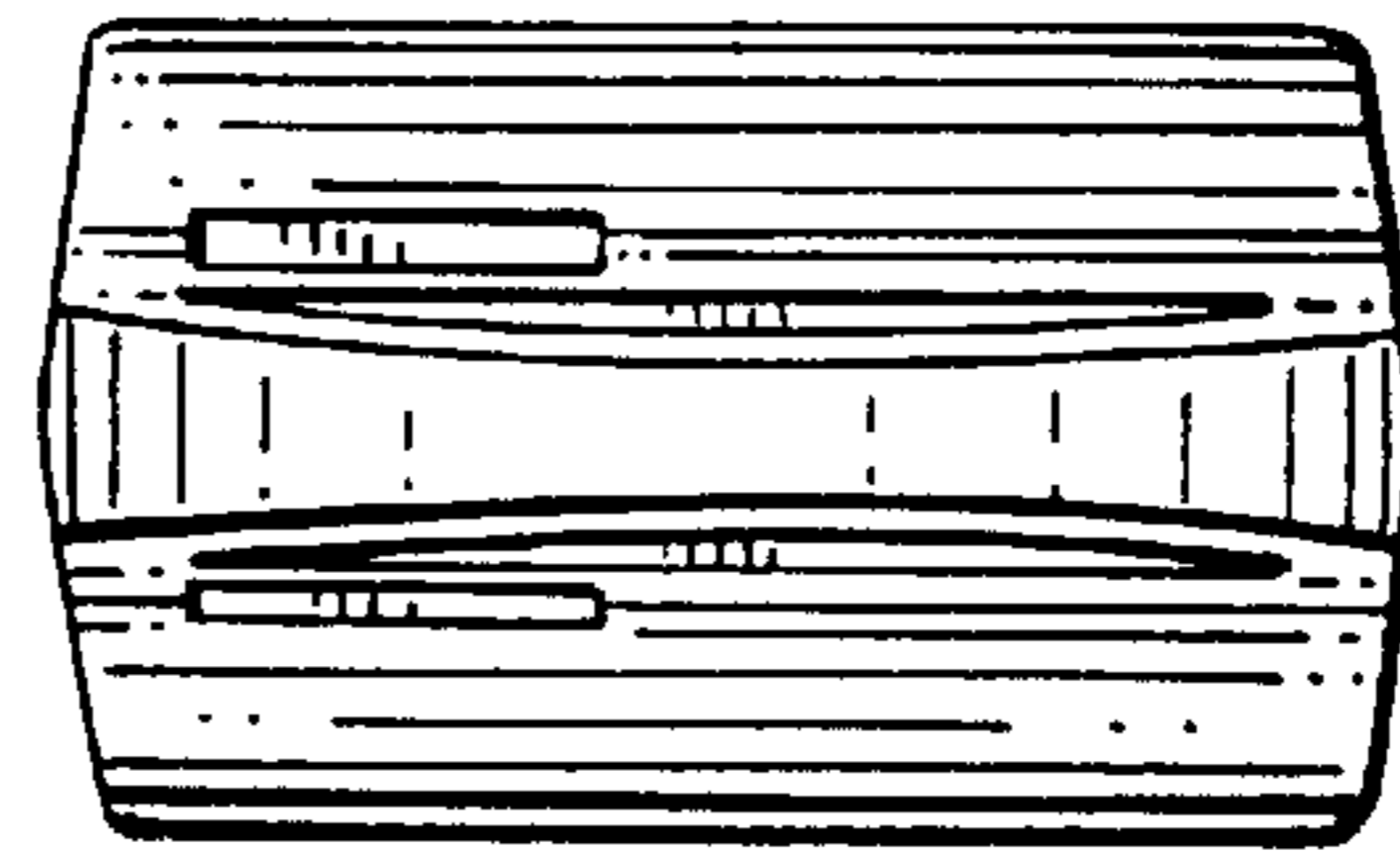
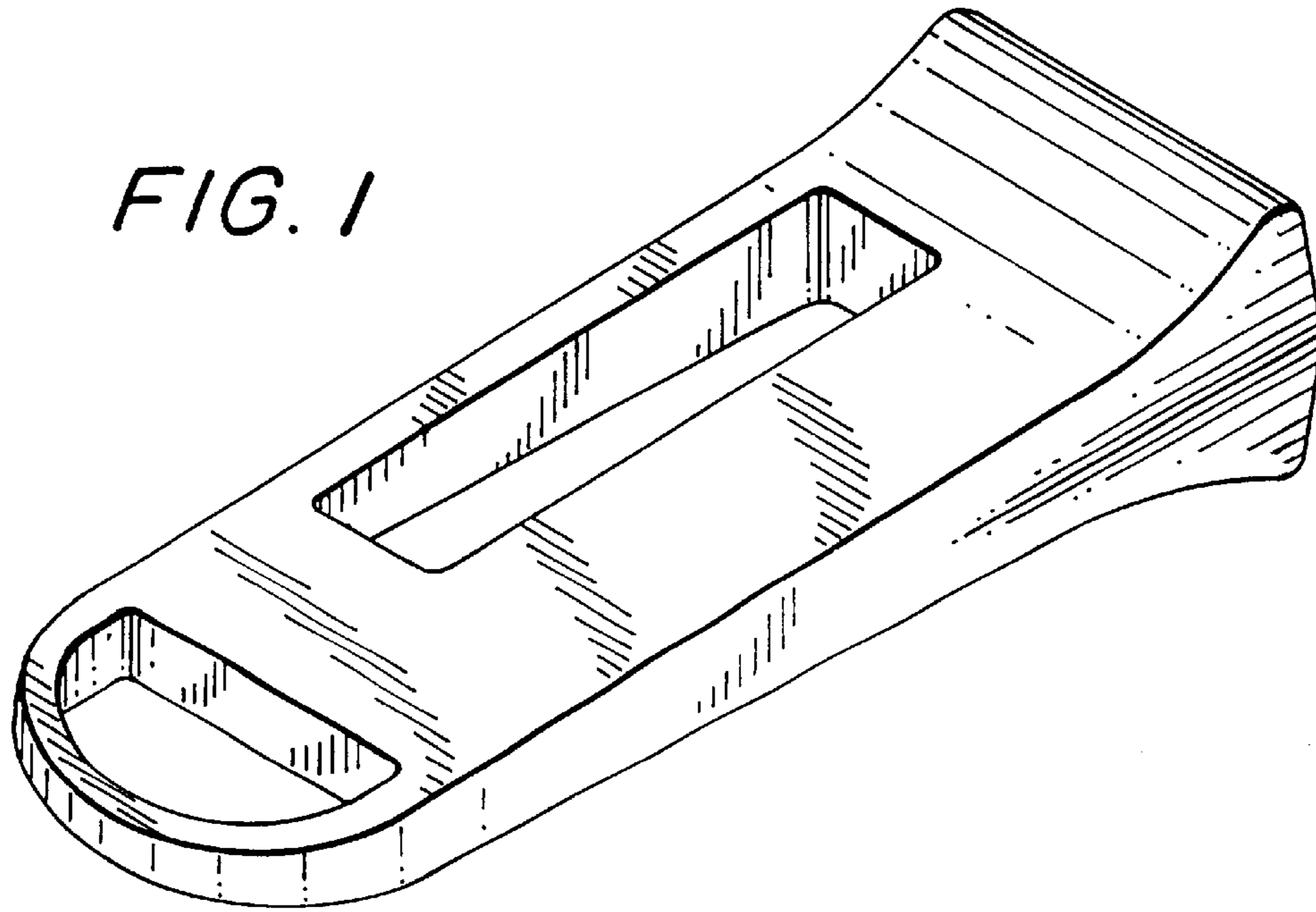


FIG. 4

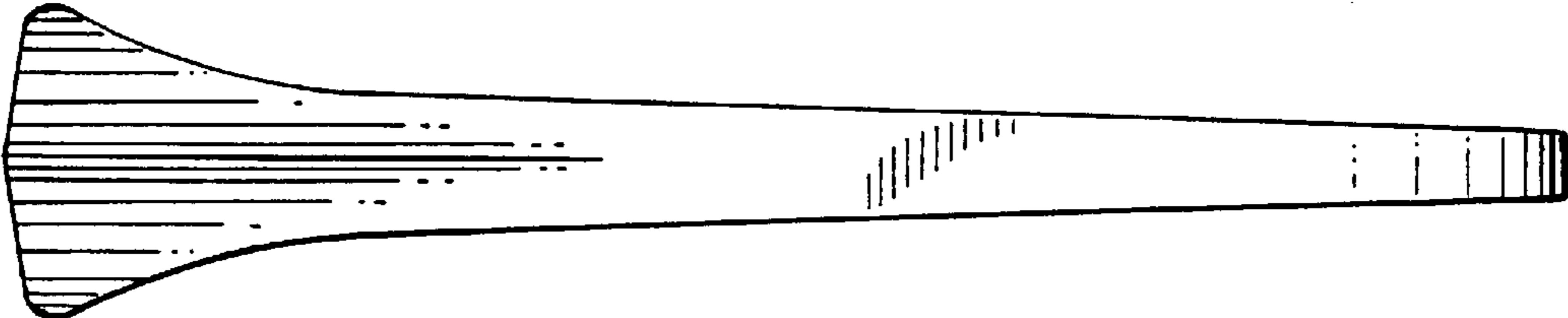
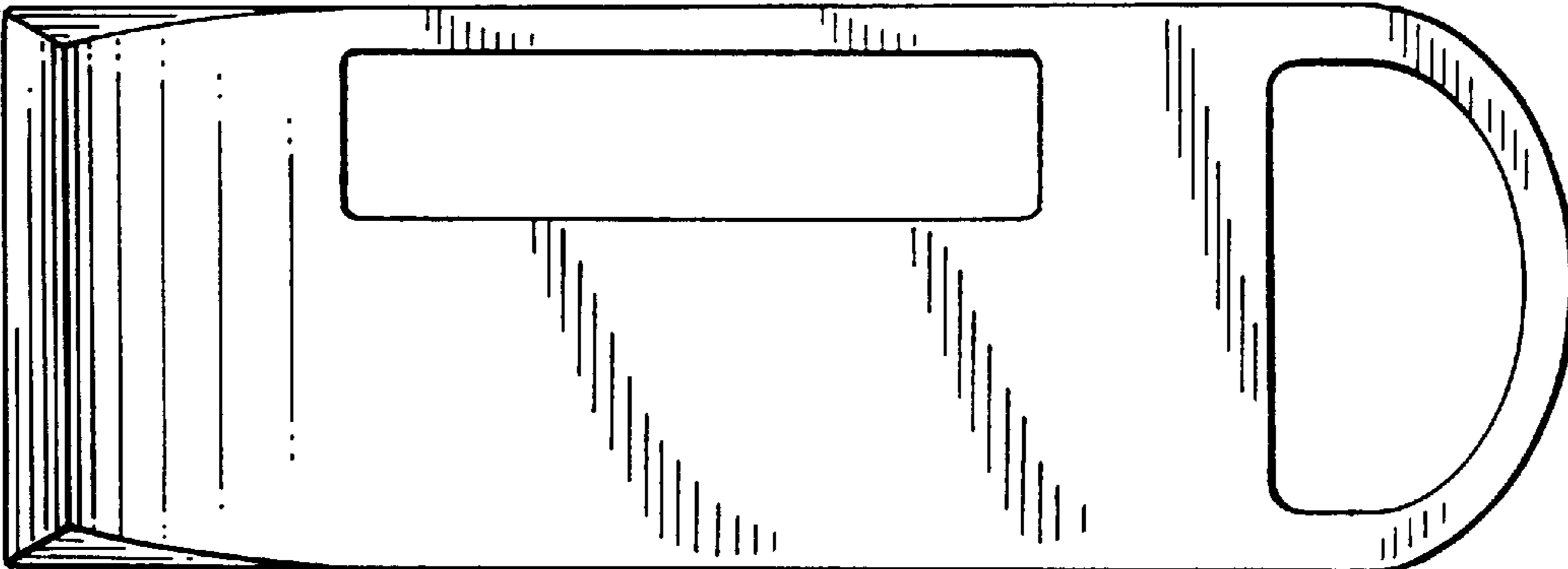
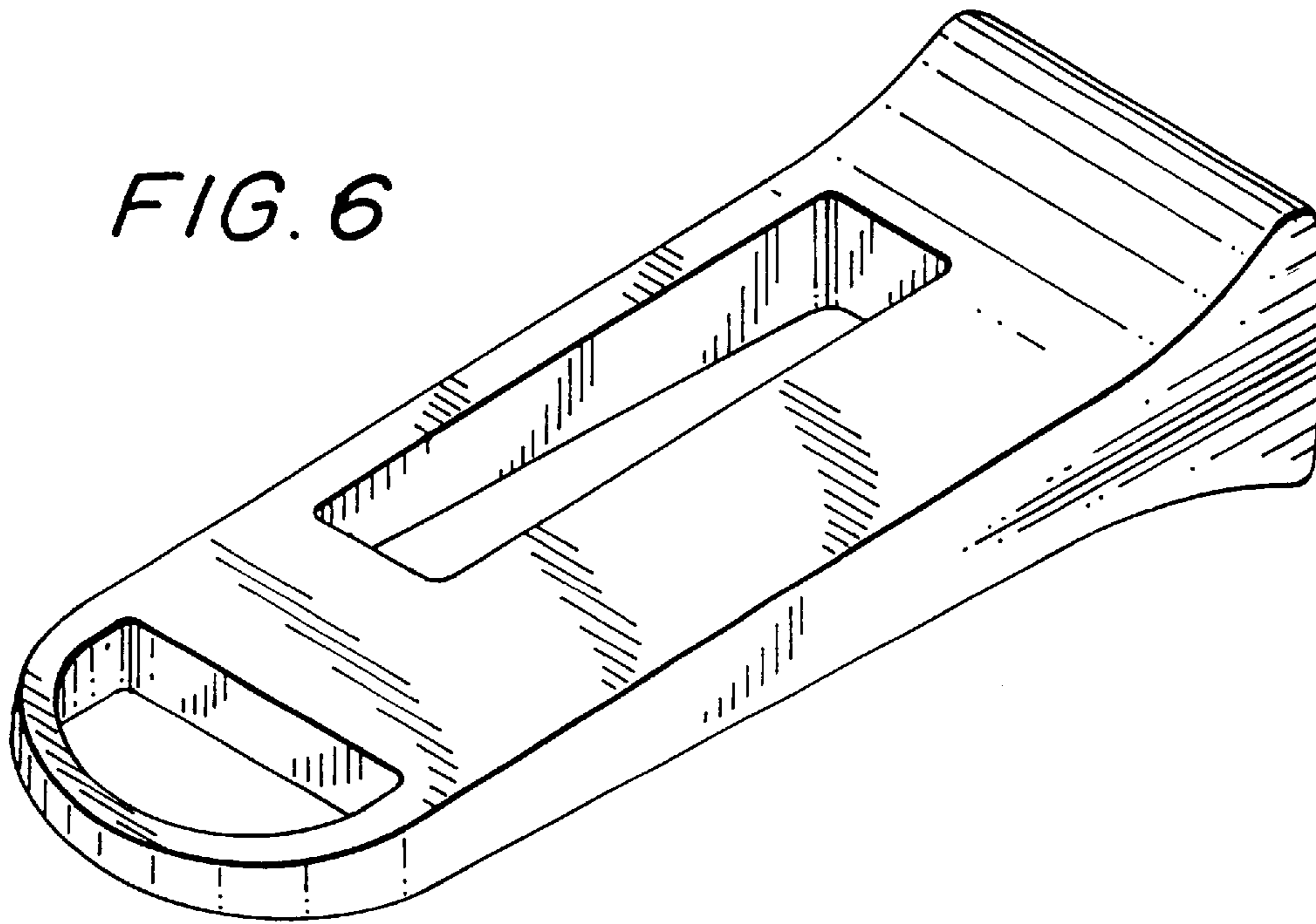


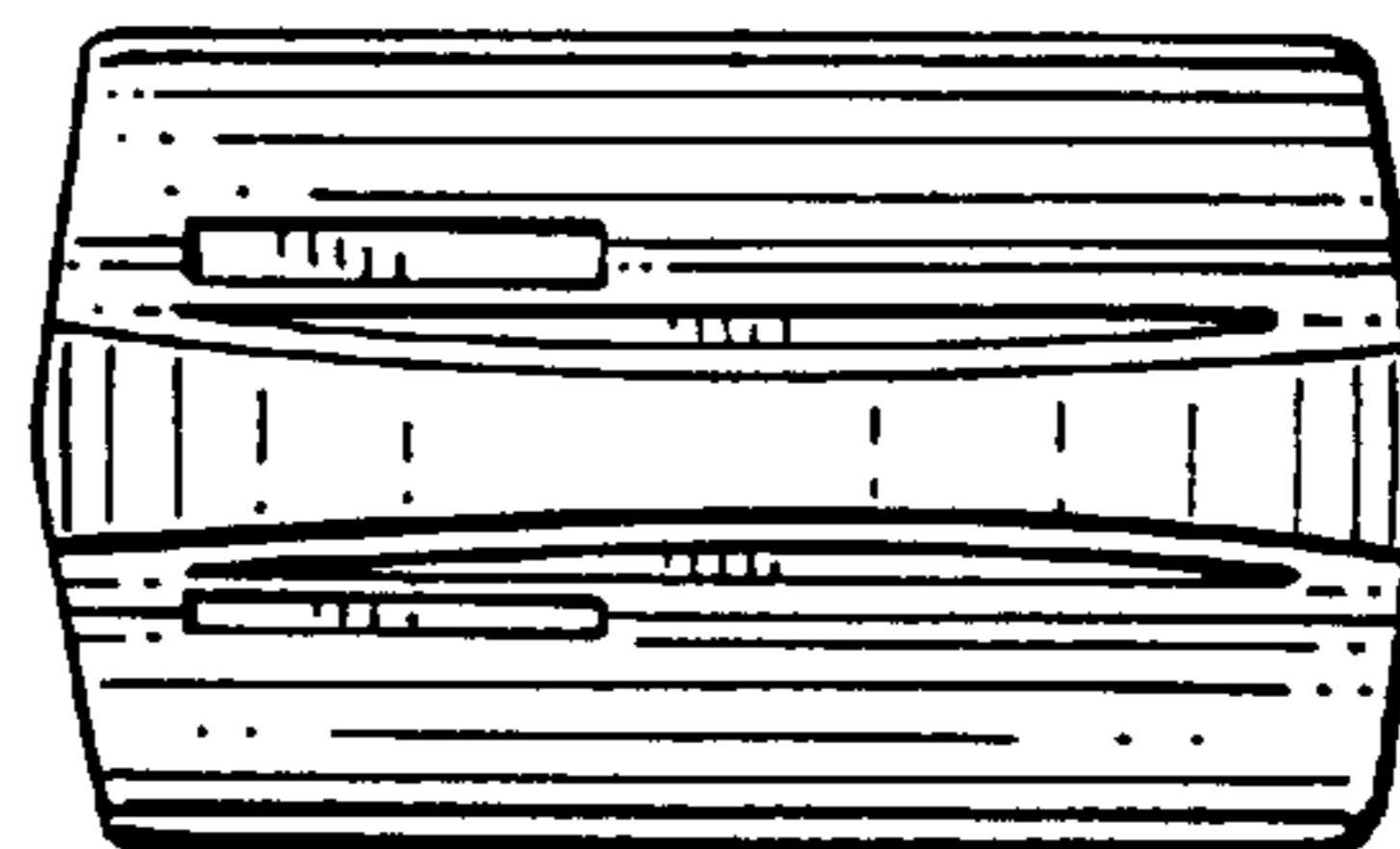
FIG. 5



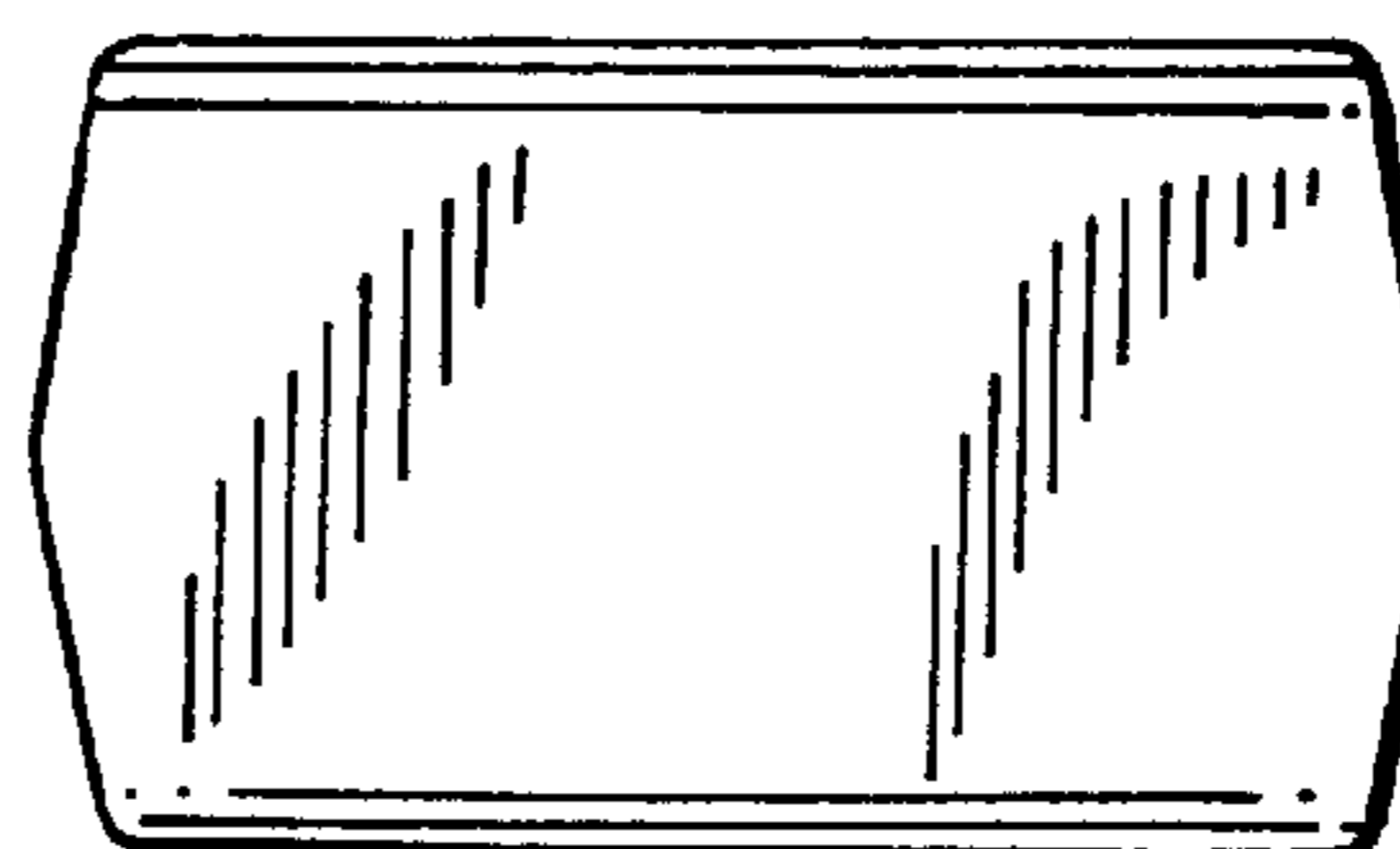
*FIG. 6*



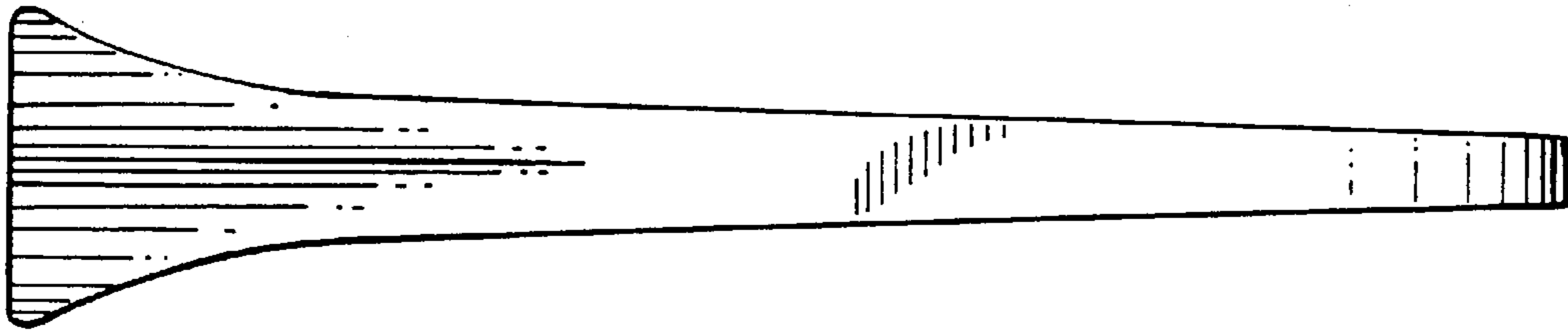
*FIG. 7*



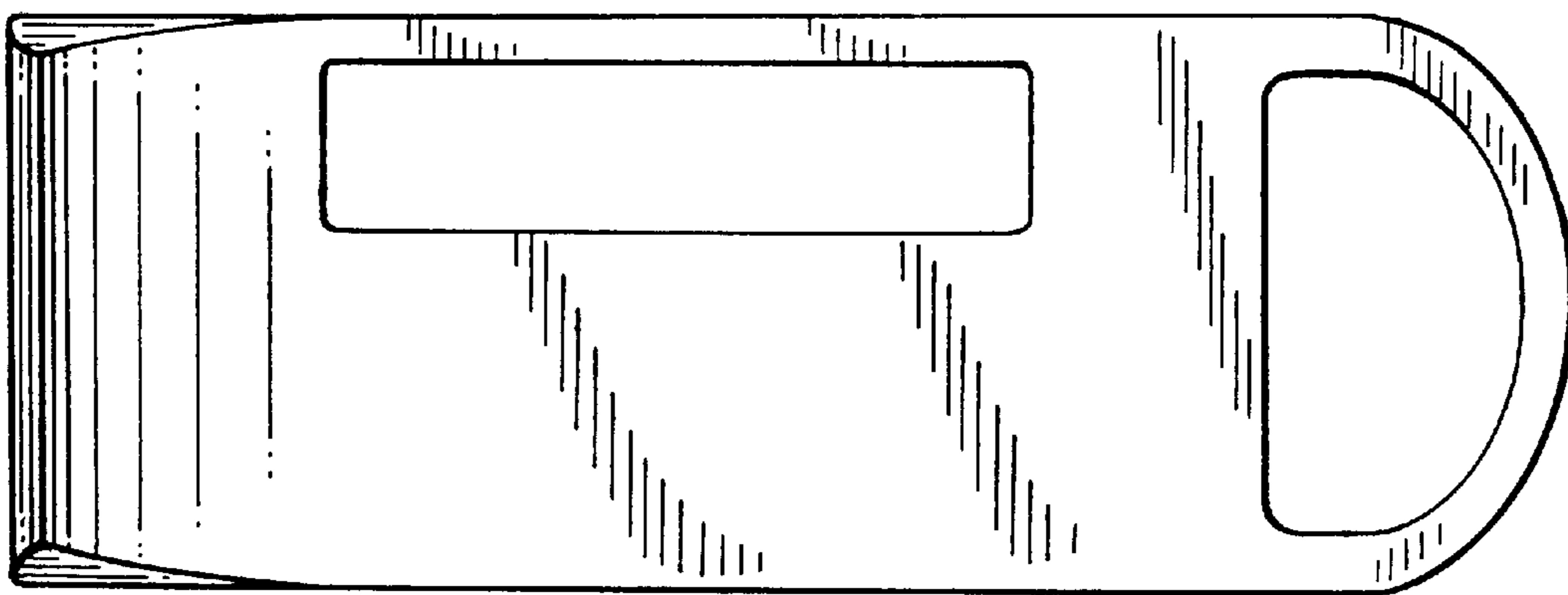
*FIG. 8*

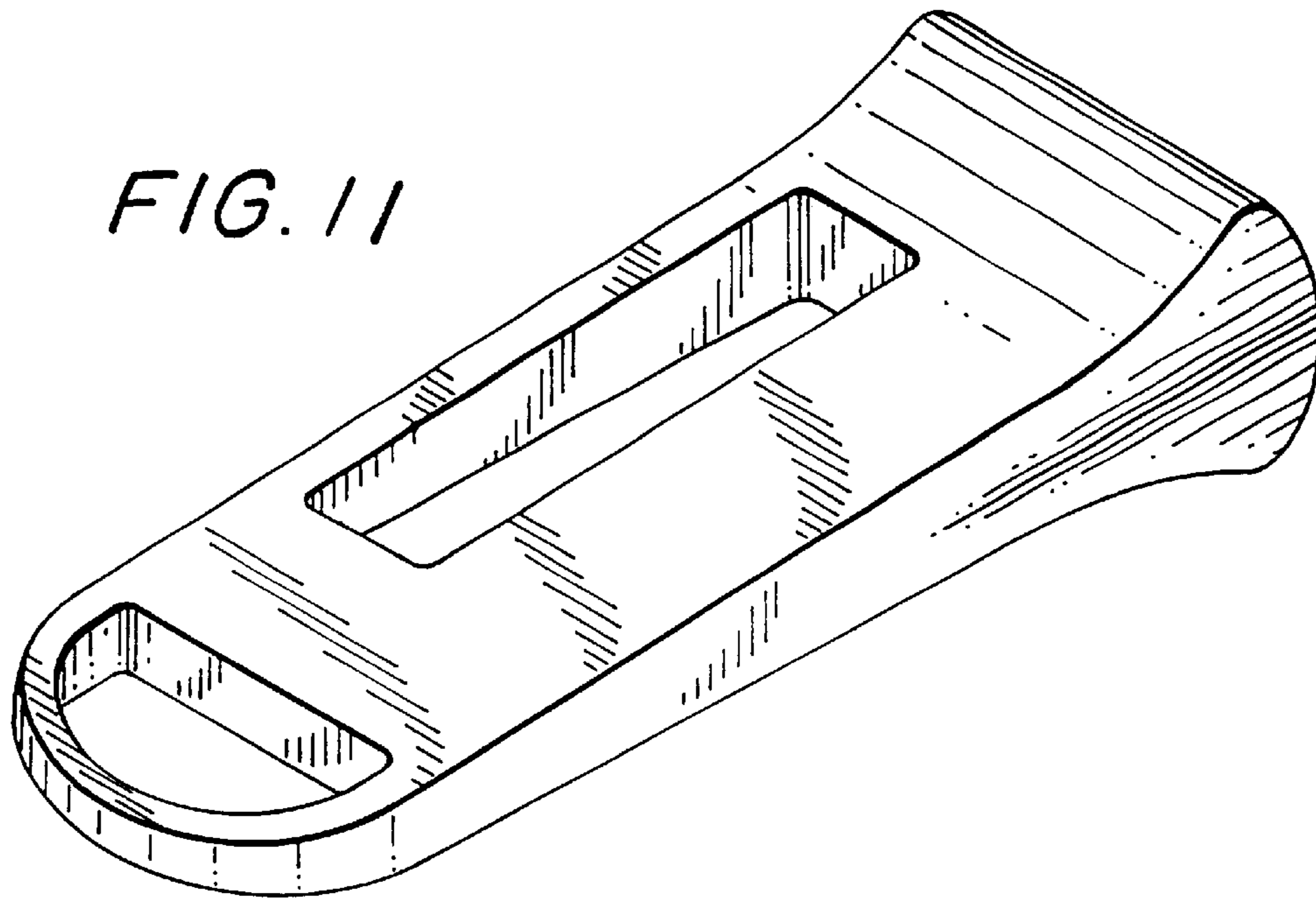


*FIG. 9*

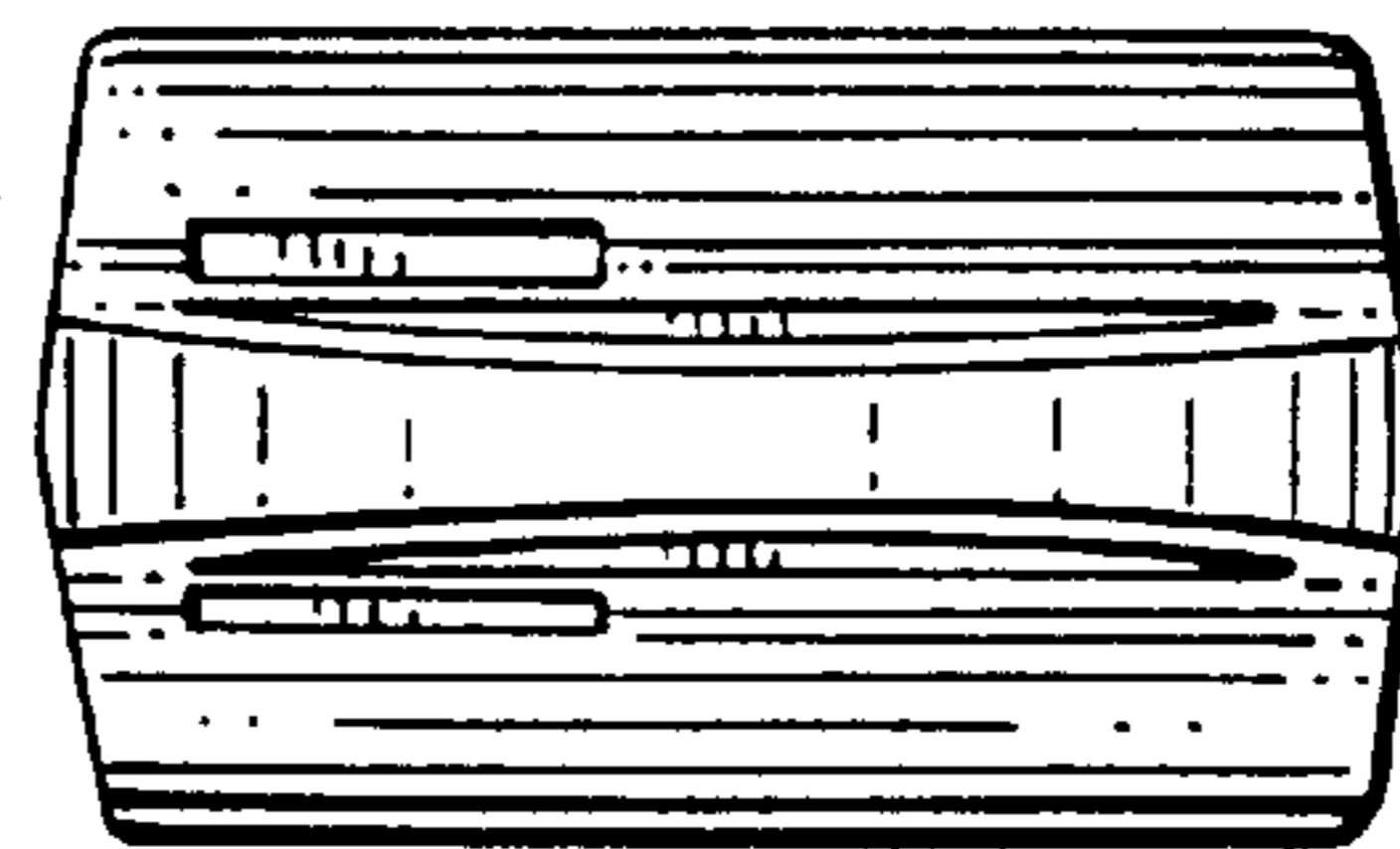


*FIG. 10*

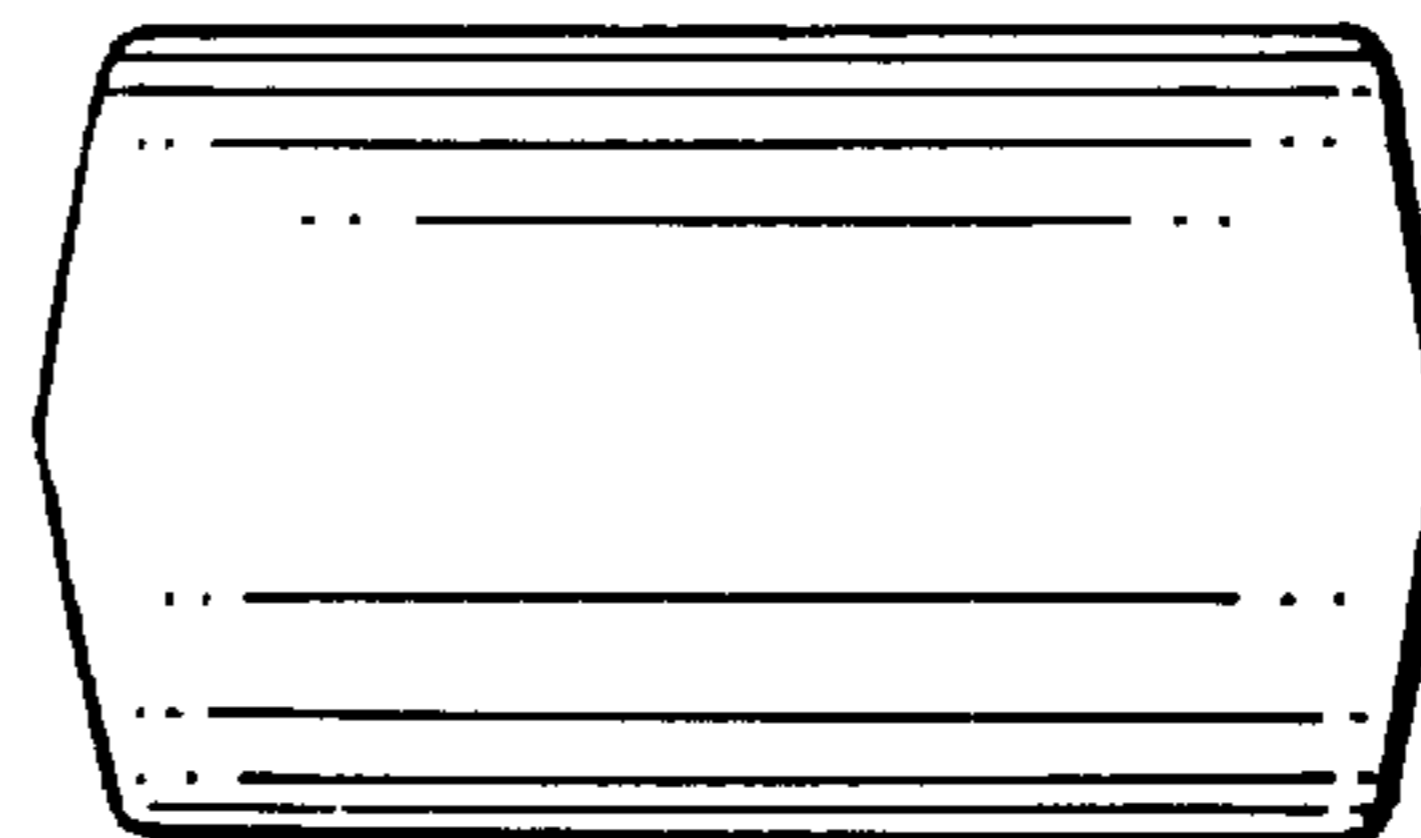




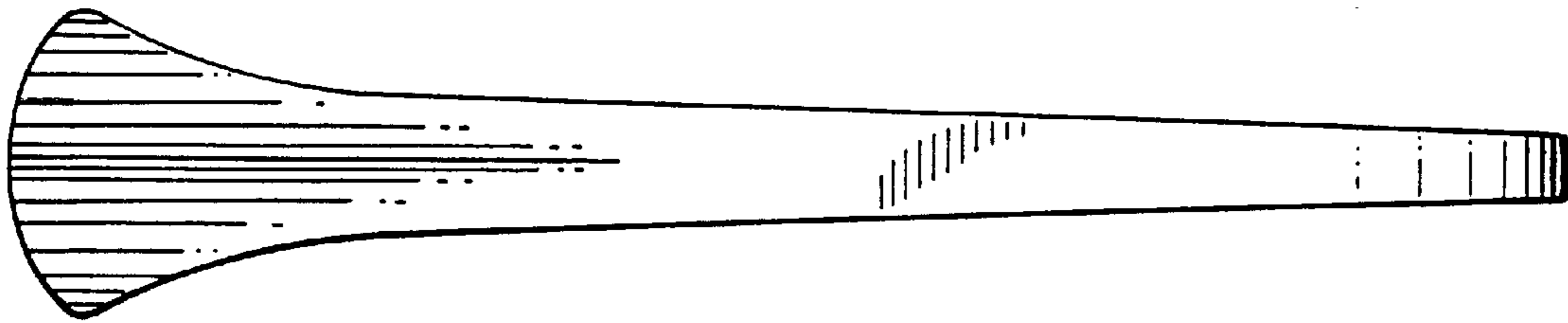
*FIG. 12*



*FIG. 13*



*FIG. 14*



*FIG. 15*

