

US00D493379S1

(12) **United States Design Patent**
Houdek et al.

(10) **Patent No.: US D493,379 S**
(45) **Date of Patent: ** Jul. 27, 2004**

(54) **COUNTING STAMPING APPARATUS**

(76) Inventors: **Dawn M. Houdek**, 2634 E. 3rd St.,
National City, CA (US) 91950;
Christopher M. Shafer, 2634 E. 3rd
St., National City, CA (US) 91950

(**) Term: **14 Years**

(21) Appl. No.: **29/181,875**

(22) Filed: **May 15, 2003**

(51) **LOC (7) Cl.** **10-04**

(52) **U.S. Cl.** **D10/97; D18/15**

(58) **Field of Search** D18/15-19, 50,
D18/53, 99; 101/31.1, 111, 327, 405, DIG. 49;
400/134.4, 13, 134.6; 156/220, 219, 361;
D10/97

(56) **References Cited**

U.S. PATENT DOCUMENTS

- D4,017 S * 5/1870 Munson D18/15
- D26,484 S * 1/1897 Hudson D18/15
- D169,167 S * 3/1953 O'Hal D18/18
- 3,380,378 A * 4/1968 Edwards et al. 101/111
- D232,484 S * 8/1974 Heinz-Gunter D18/18

- D266,257 S * 9/1982 Ahrens 101/405
- D267,496 S * 1/1983 Goldstein D18/15
- D273,120 S * 3/1984 Ito D18/15
- 4,625,640 A * 12/1986 Bungler 101/327
- D324,062 S * 2/1992 Bengtsson D18/15
- D352,521 S * 11/1994 Sculler et al. D18/15
- D353,393 S * 12/1994 Scholpp D18/15
- D452,832 S * 1/2002 Kobayashi D10/97

* cited by examiner

Primary Examiner—Charles A. Rademaker

(57) **CLAIM**

The ornamental design for a counting stamping apparatus, as shown and described.

DESCRIPTION

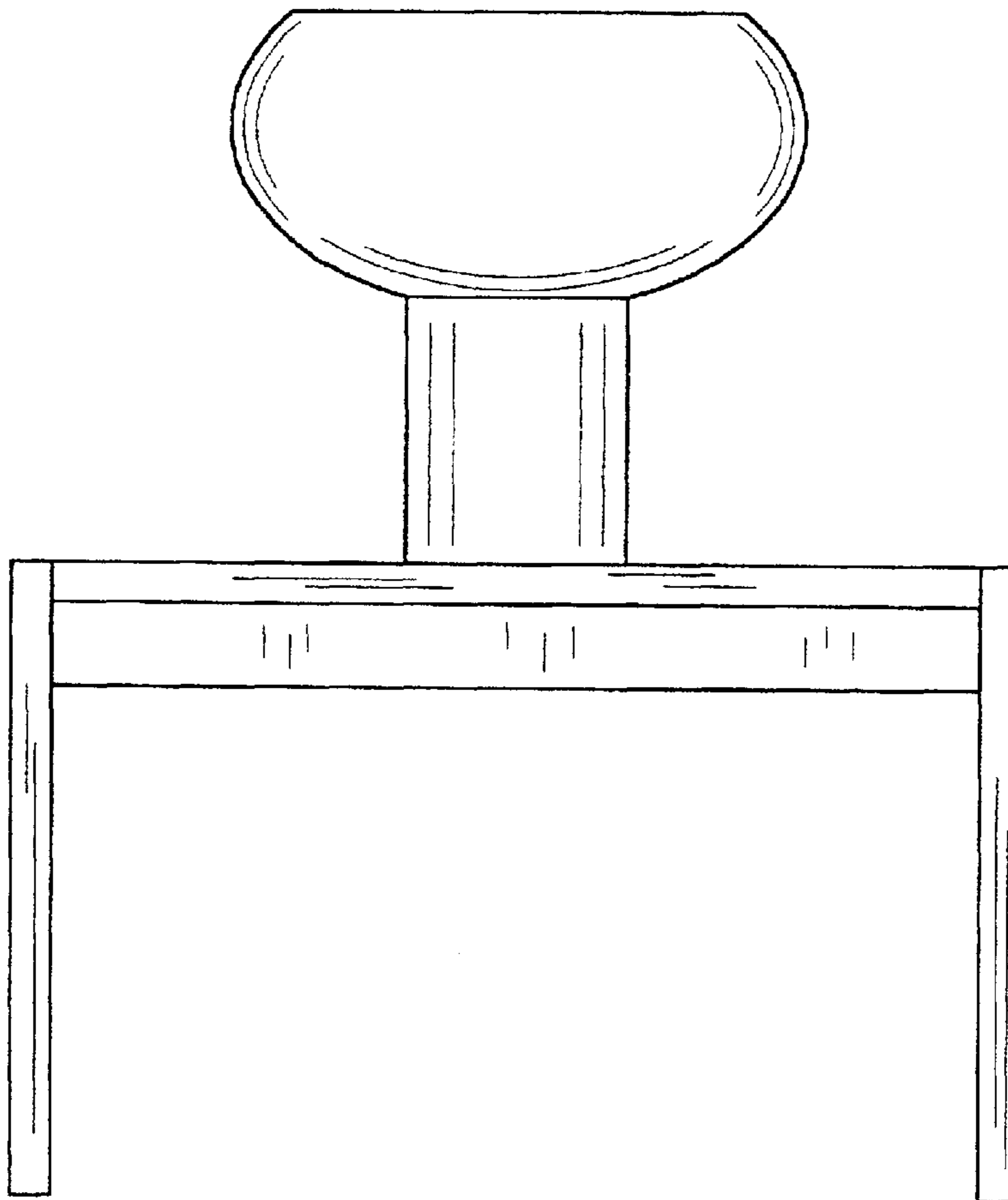
FIG. 1 is a front elevational view of a counting stamping apparatus showing our new design, the rear elevational view being identical;

FIG. 2 is a side view, taken from the left side of FIG. 1, the right side view being identical;

FIG. 3 is a top plan view thereof; and,

FIG. 4 is a bottom plan view thereof.

1 Claim, 2 Drawing Sheets



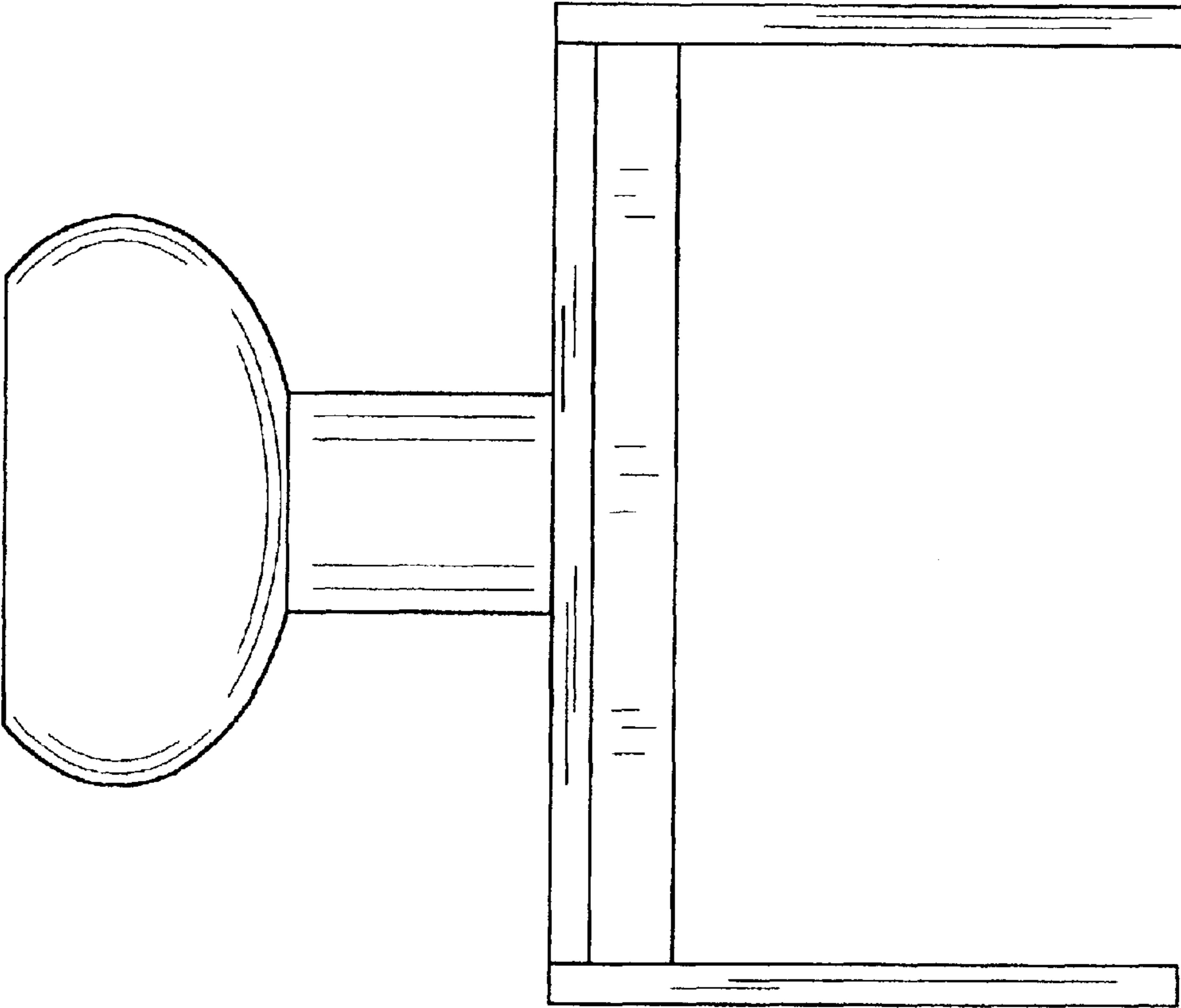


FIG. 1

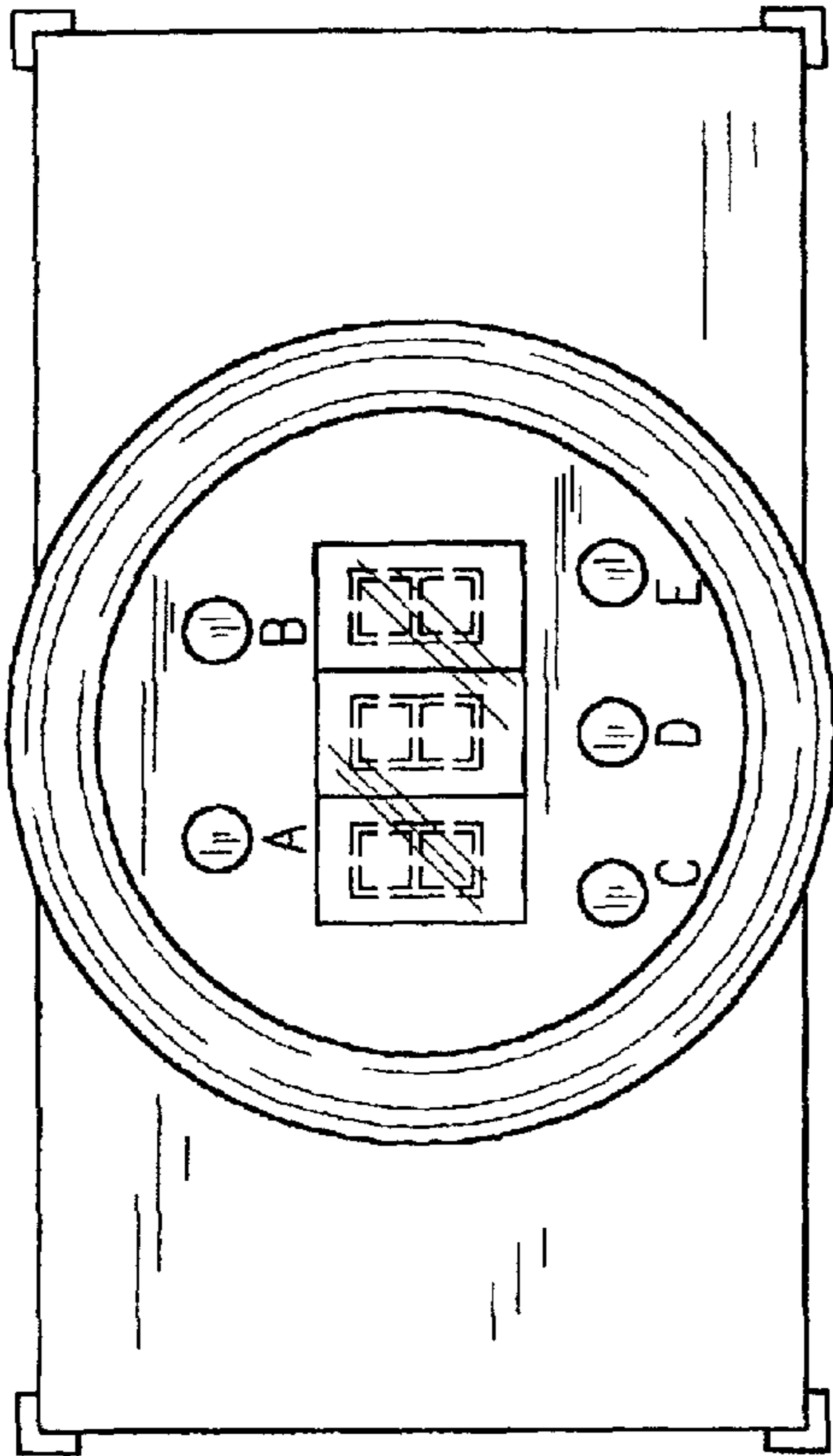


FIG. 3

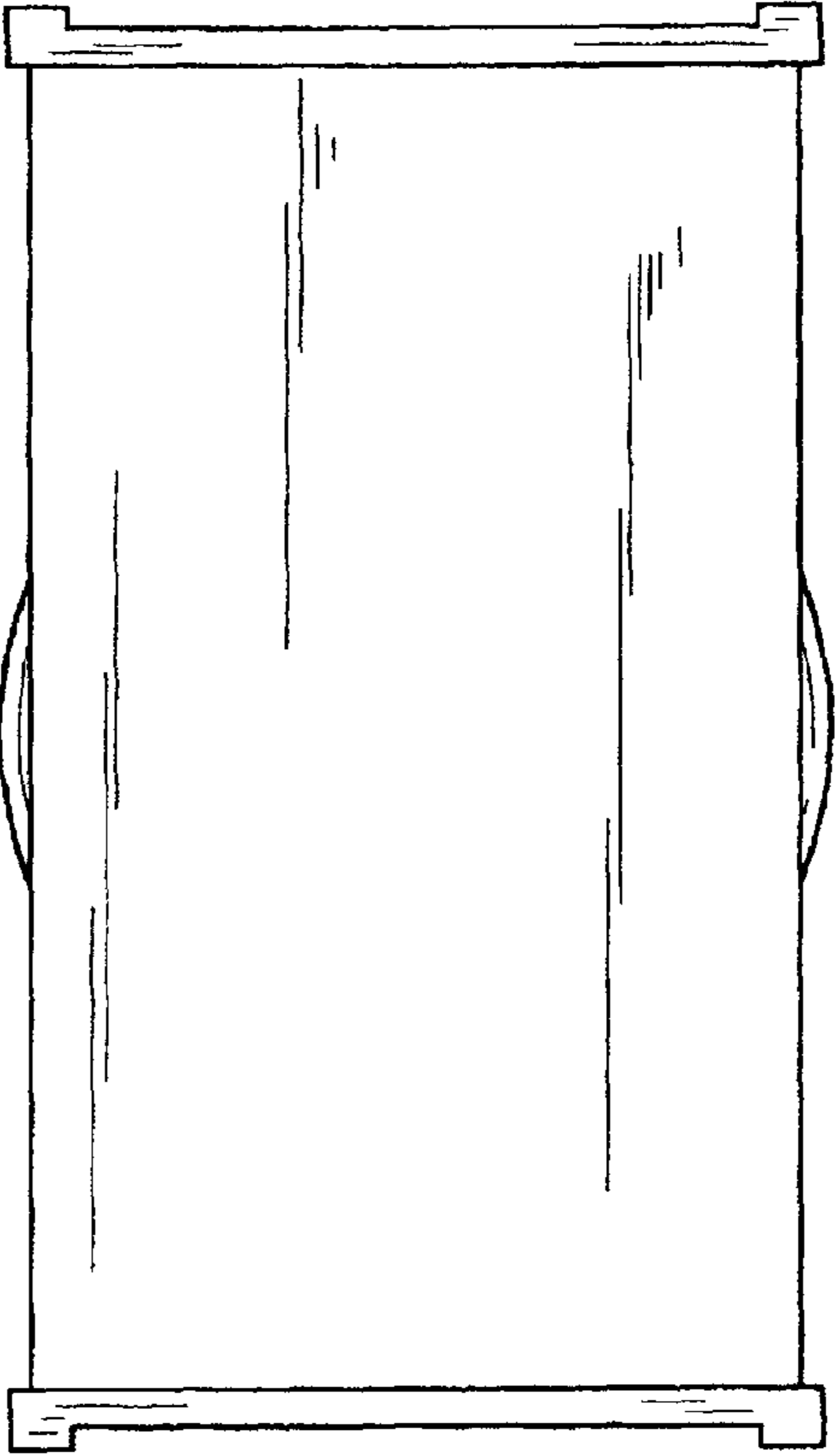


FIG. 4

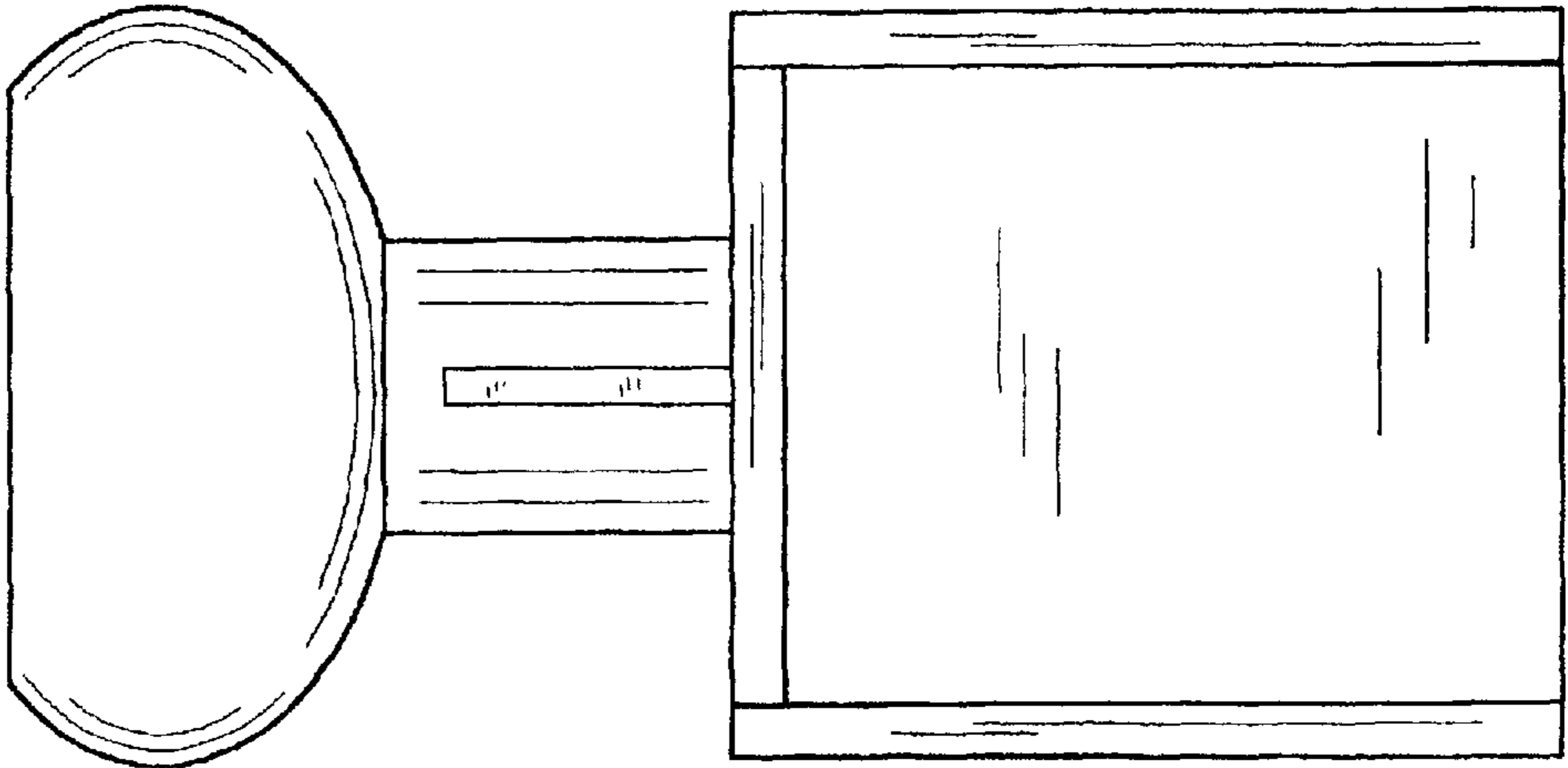


FIG. 2