

US00D493378S1

(12) **United States Design Patent**
Nomura

(10) **Patent No.:** **US D493,378 S**
(45) **Date of Patent:** **** Jul. 27, 2004**

(54) **ROLL-TOP SHIELD FOR WEIGHING SCALES**

Primary Examiner—Lucy Lieberman
(74) *Attorney, Agent, or Firm*—Varndell & Varndell, PLLC

(75) Inventor: **Misao Nomura**, Tokyo (JP)

(57) **CLAIM**

(73) Assignee: **Shinko Denshi Co., Ltd.**, Tokyo (JP)

The ornamental design for a roll-top shield for weighing scales, as shown and described.

(**) Term: **14 Years**

DESCRIPTION

(21) Appl. No.: **29/191,047**

FIG. 1 is a perspective view showing my new design of the roll-top shield for weighing scales in a closed position;

(22) Filed: **Oct. 2, 2003**

FIG. 2 is a front elevational view with the roll-top shield for weighing scales in a closed position,

(30) **Foreign Application Priority Data**

Jul. 11, 2003 (JP) 2003-020190

FIG. 3 is a rear elevational view with the roll-top shield for weighing scales in a closed position,

(51) **LOC (7) Cl.** **10-04**

FIG. 4 is a top plan view with the roll-top shield for weighing scales in a closed position,

(52) **U.S. Cl.** **D10/94**

(58) **Field of Search** D10/94, 87, 88,
D10/90, 91; D3/298, 299, 294; 177/180,
181

FIG. 5 is a right elevational view with the roll-top shield for weighing scales in a closed position (the left elevational view being a mirror image of the right elevational view),

(56) **References Cited**

U.S. PATENT DOCUMENTS

D182,947 S	*	6/1958	Becker	D10/90
D206,678 S	*	1/1967	Beller	D10/94
4,798,250 A	*	1/1989	Knothe et al.	177/181
4,821,821 A	*	4/1989	Kelley	177/181
4,862,978 A	*	9/1989	Borchard	177/180
4,862,979 A	*	9/1989	Borchard	177/181
D312,051 S	*	11/1990	Meixner	D10/91
D482,870 S	*	12/2003	Veazey	D3/294

FIG. 6 is a bottom plan view with the roll-top shield for weighing scales in a closed position,

FIG. 7 is a perspective view of the roll-top shield for weighing scales shown in a partially opened position; and,

FIG. 8 is a perspective view of the roll-top shield for weighing scales shown in an opened position.

The broken lines showing a weighing scale in FIGS. 1, 7 and 8 are for illustrative purposes only and do not form part of the claimed design.

* cited by examiner

1 Claim, 3 Drawing Sheets

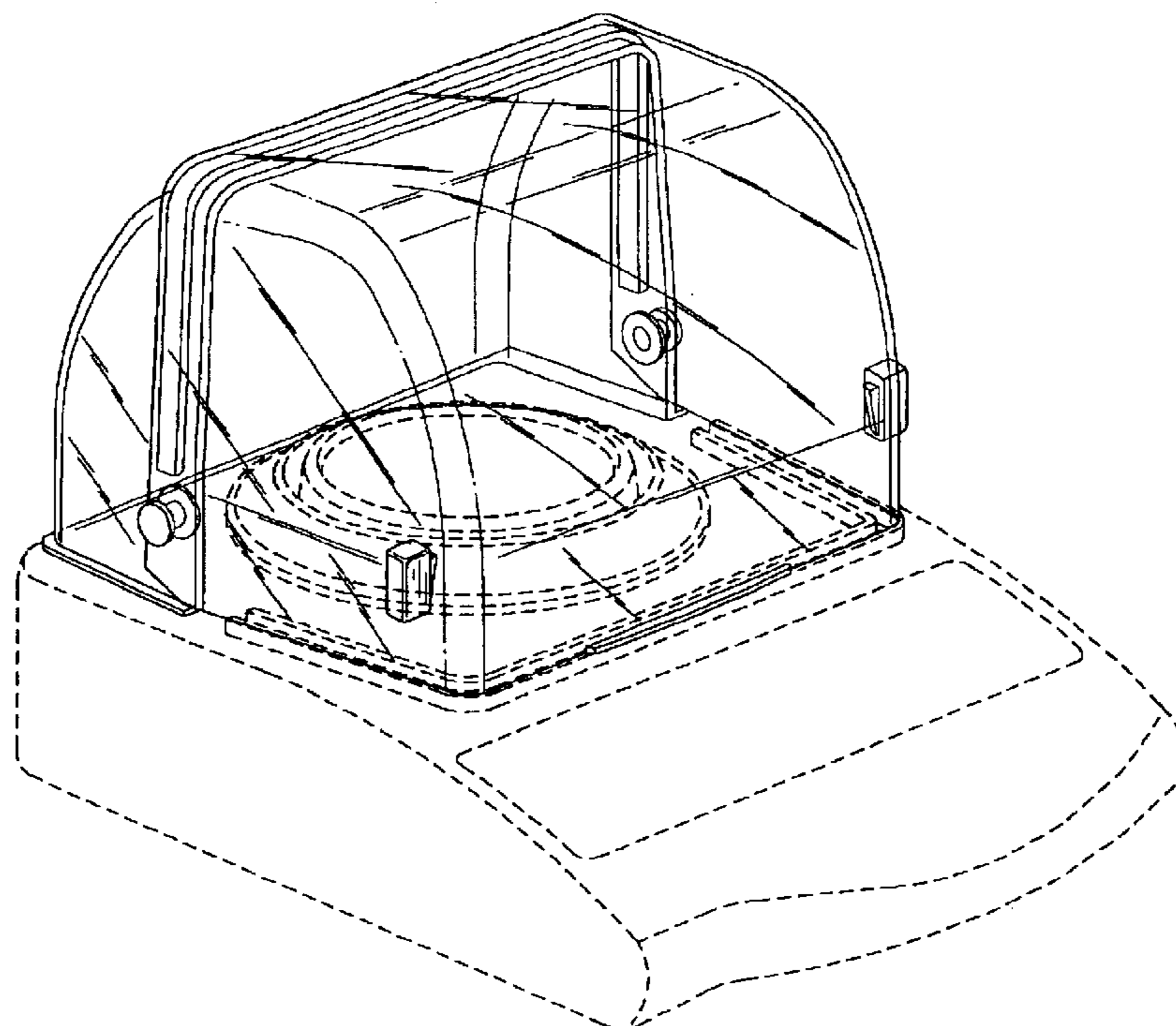


FIG.2

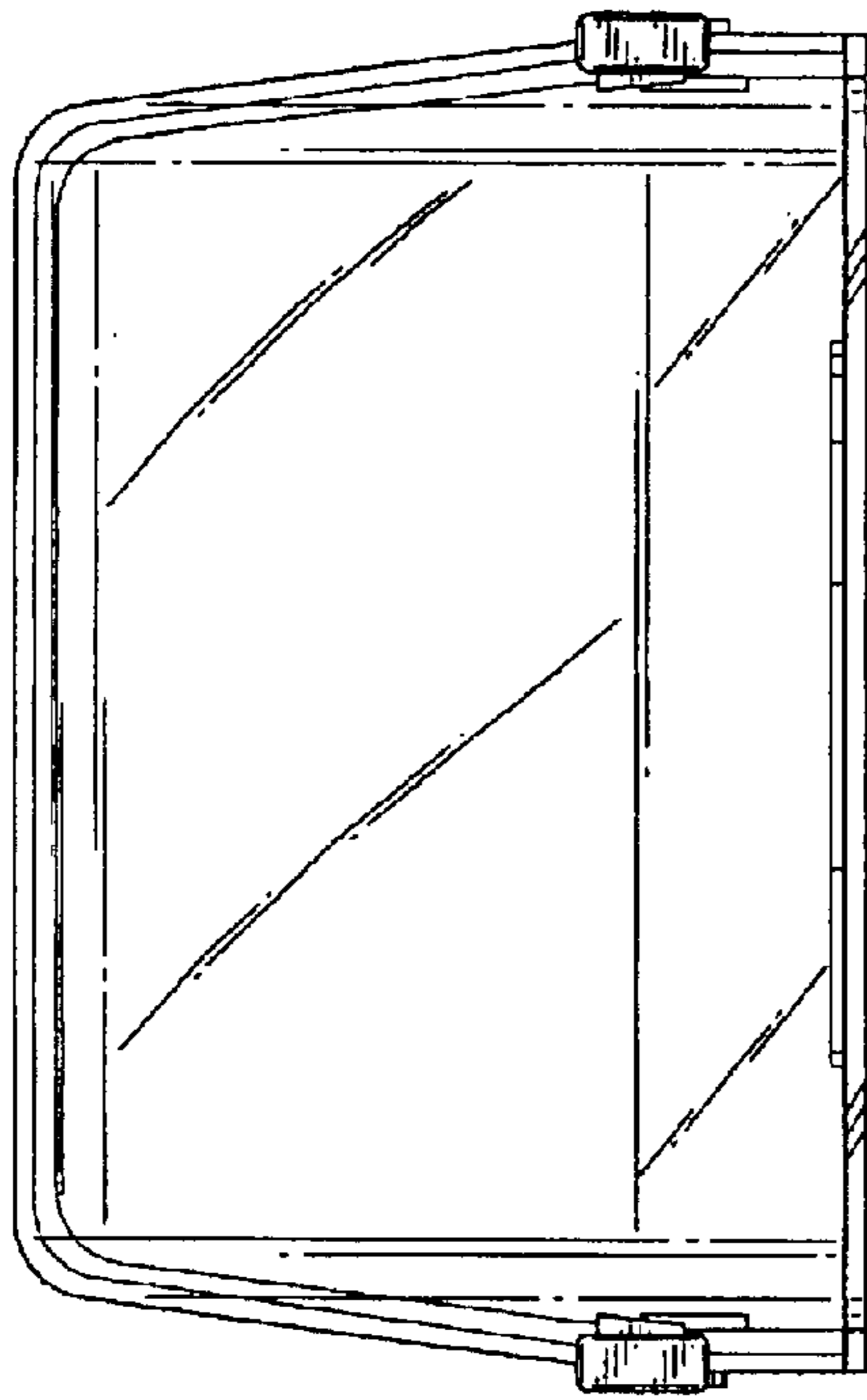


FIG.3

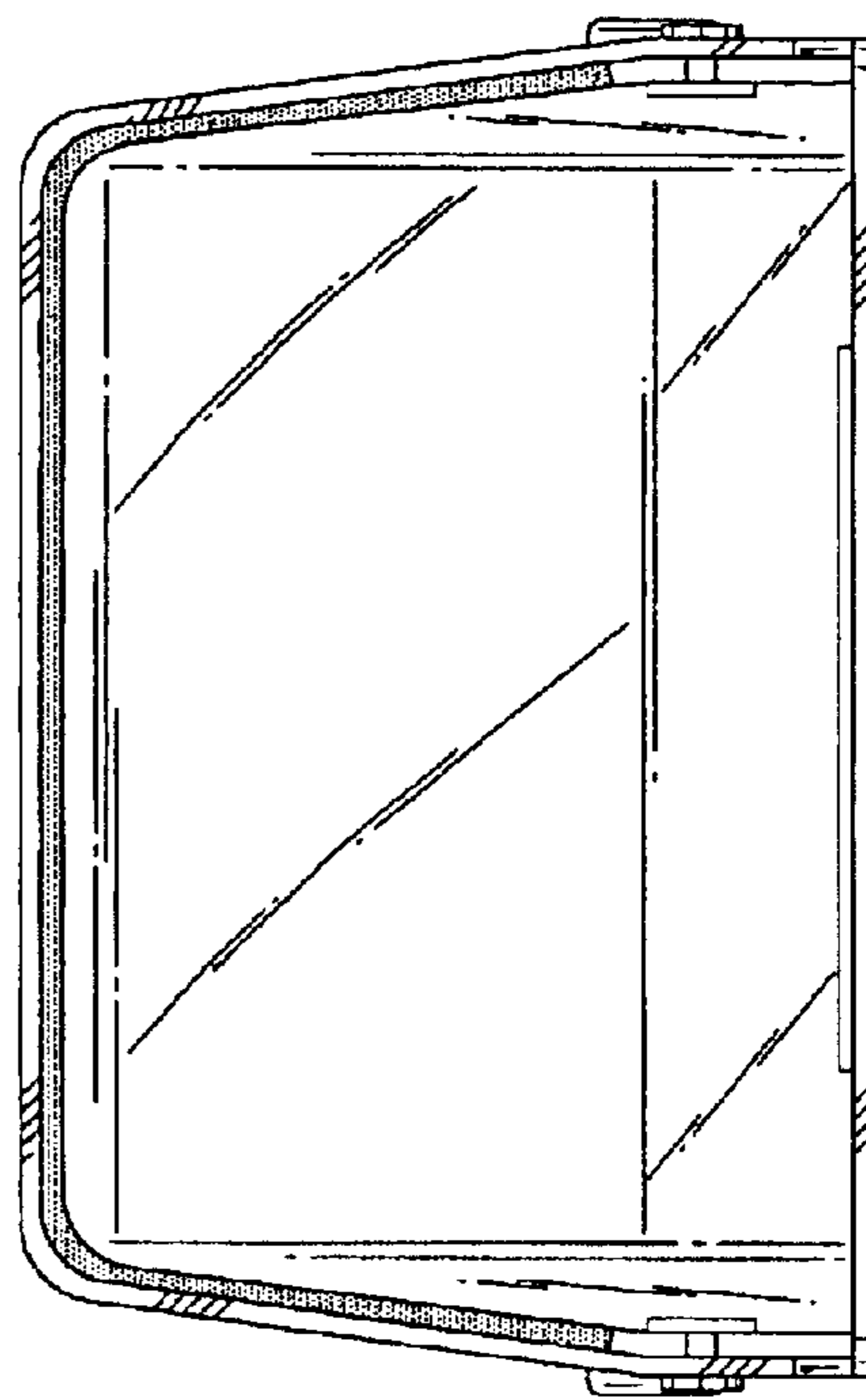


FIG.1

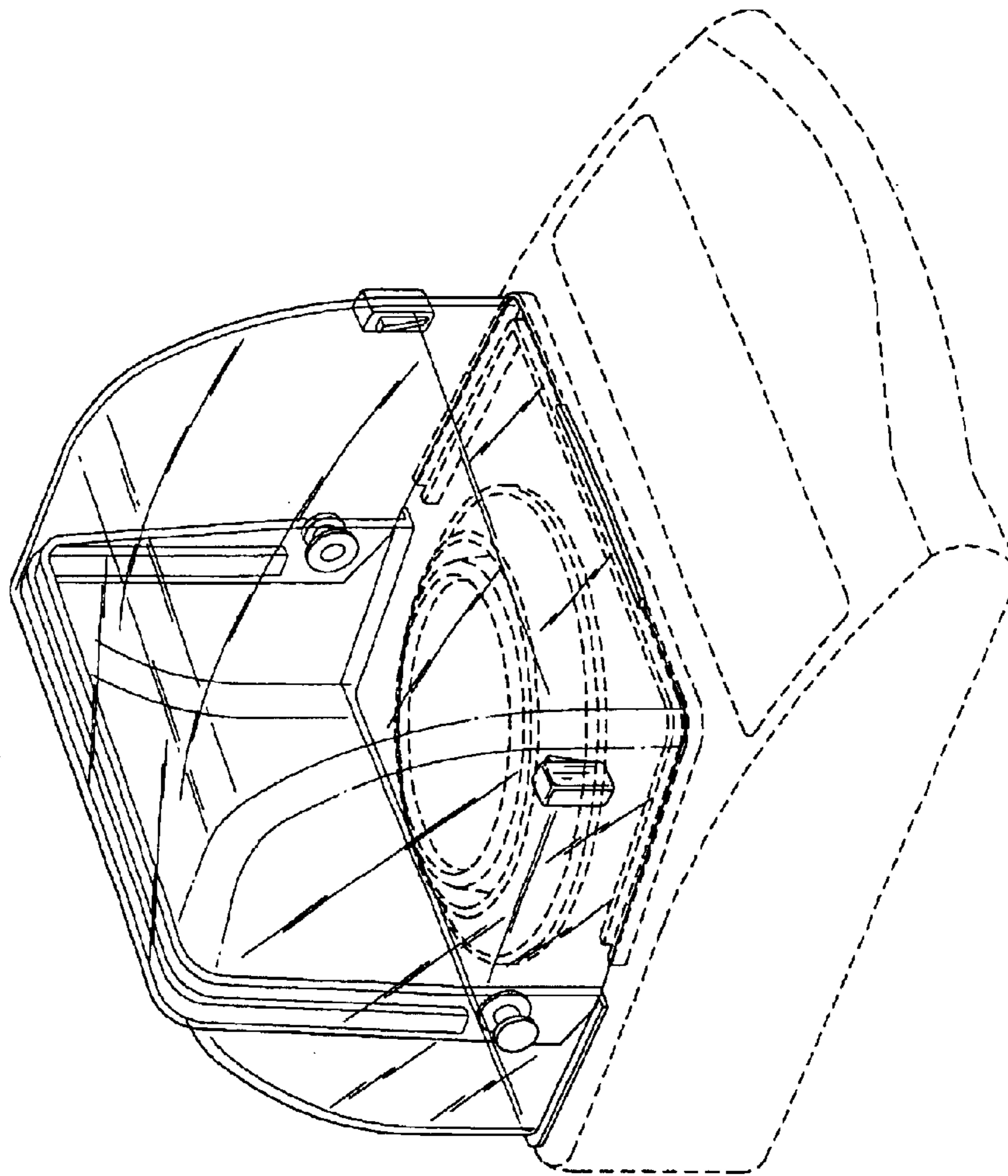


FIG.4

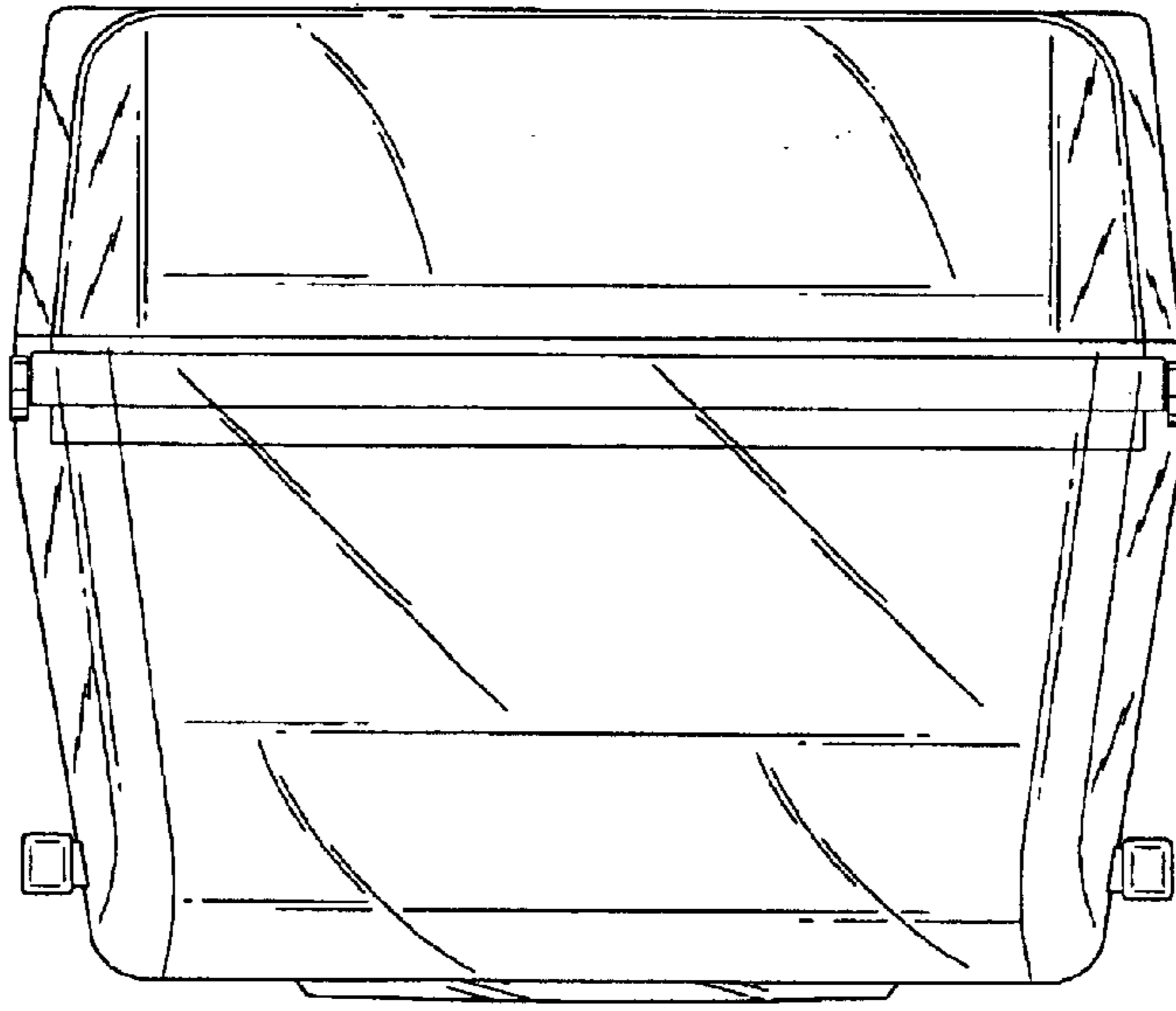


FIG.5

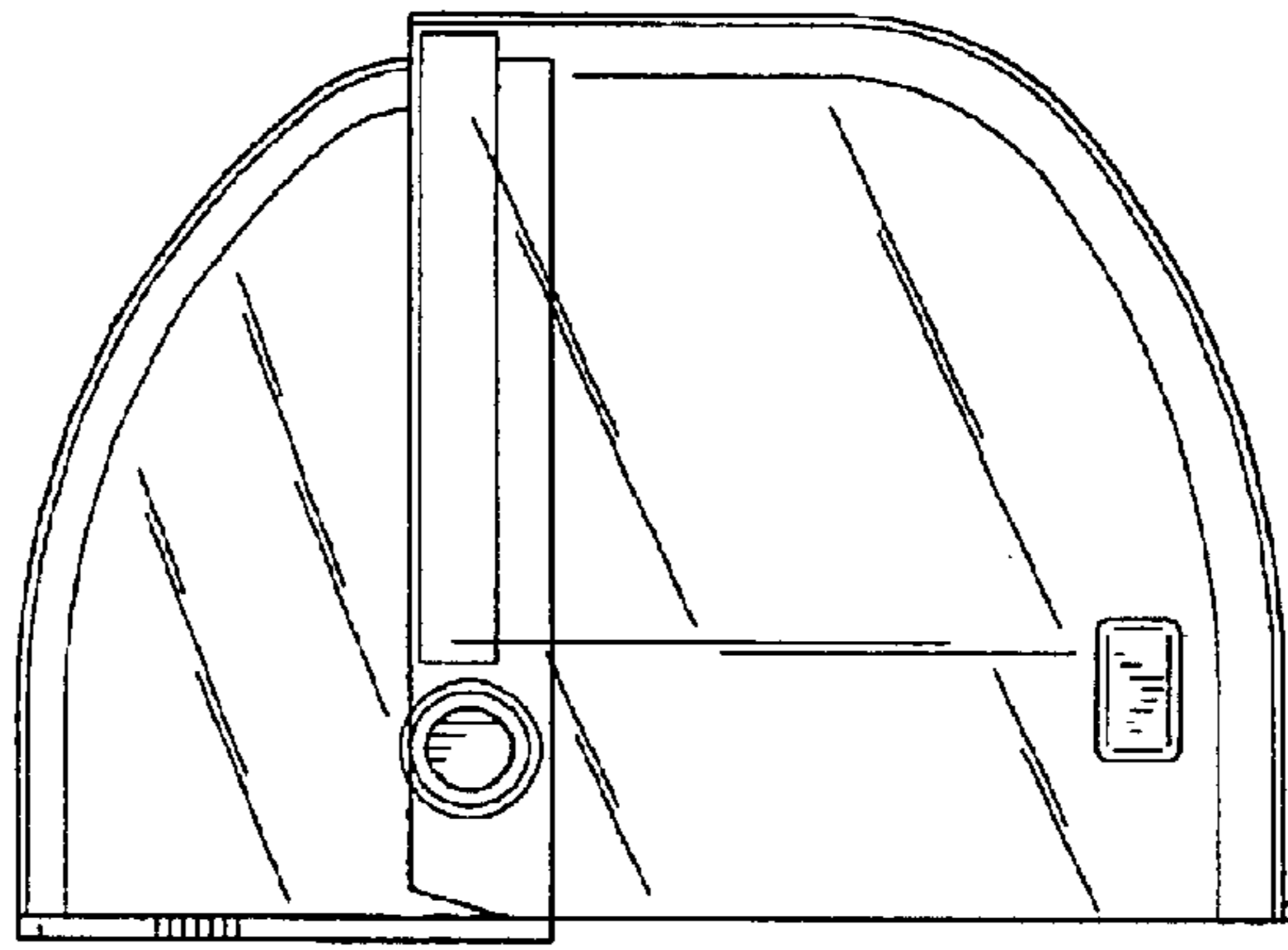
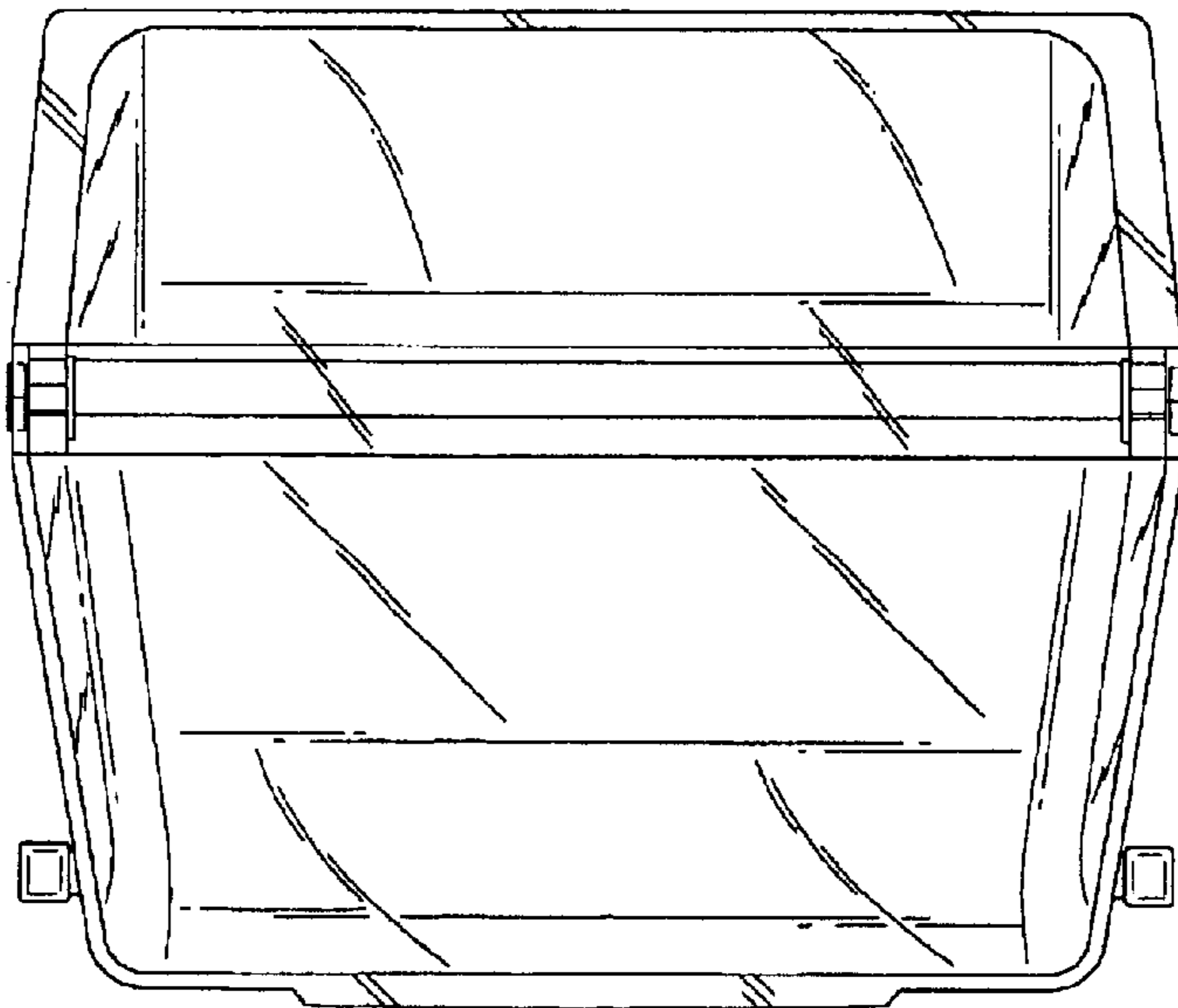


FIG.6



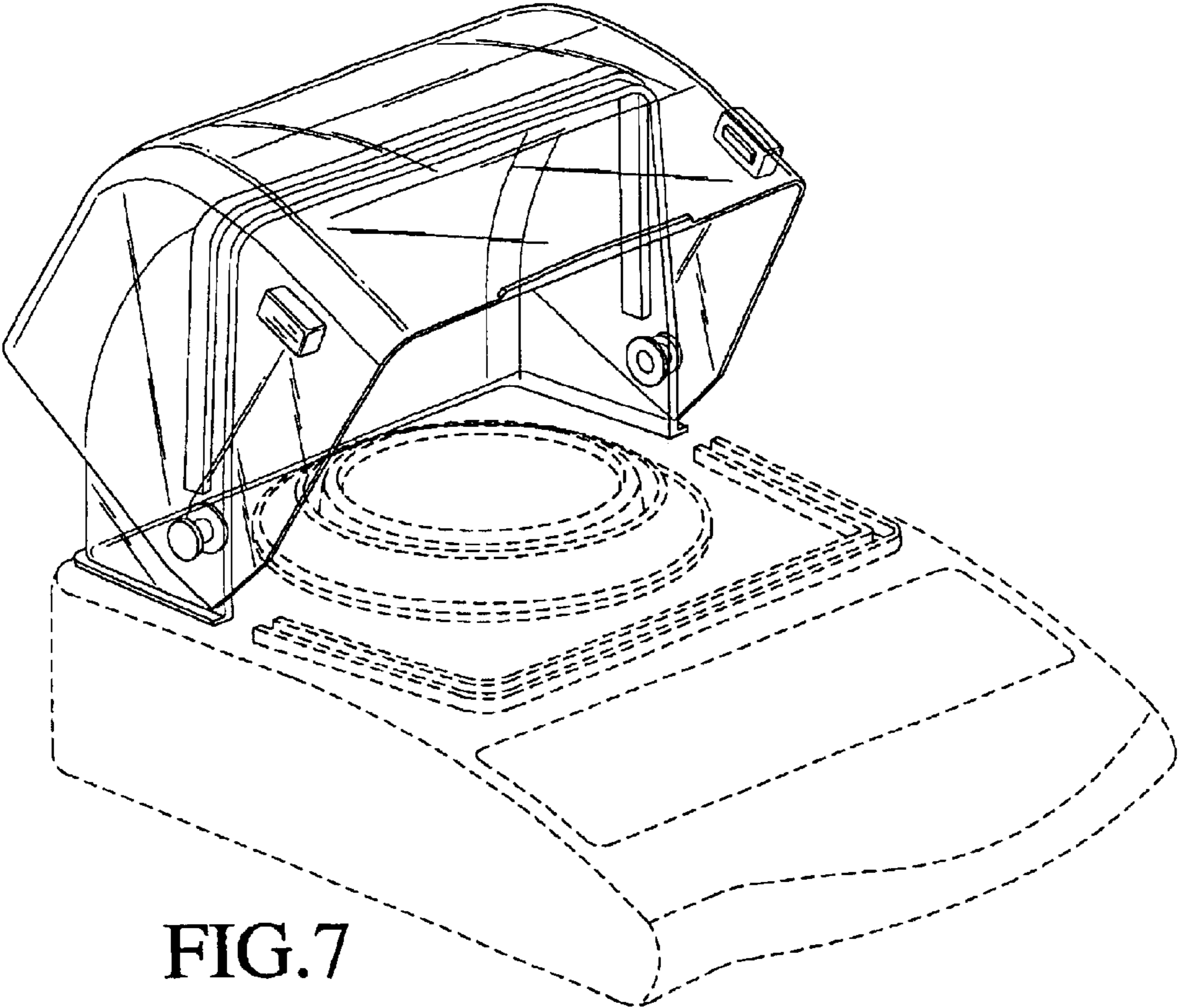


FIG. 7

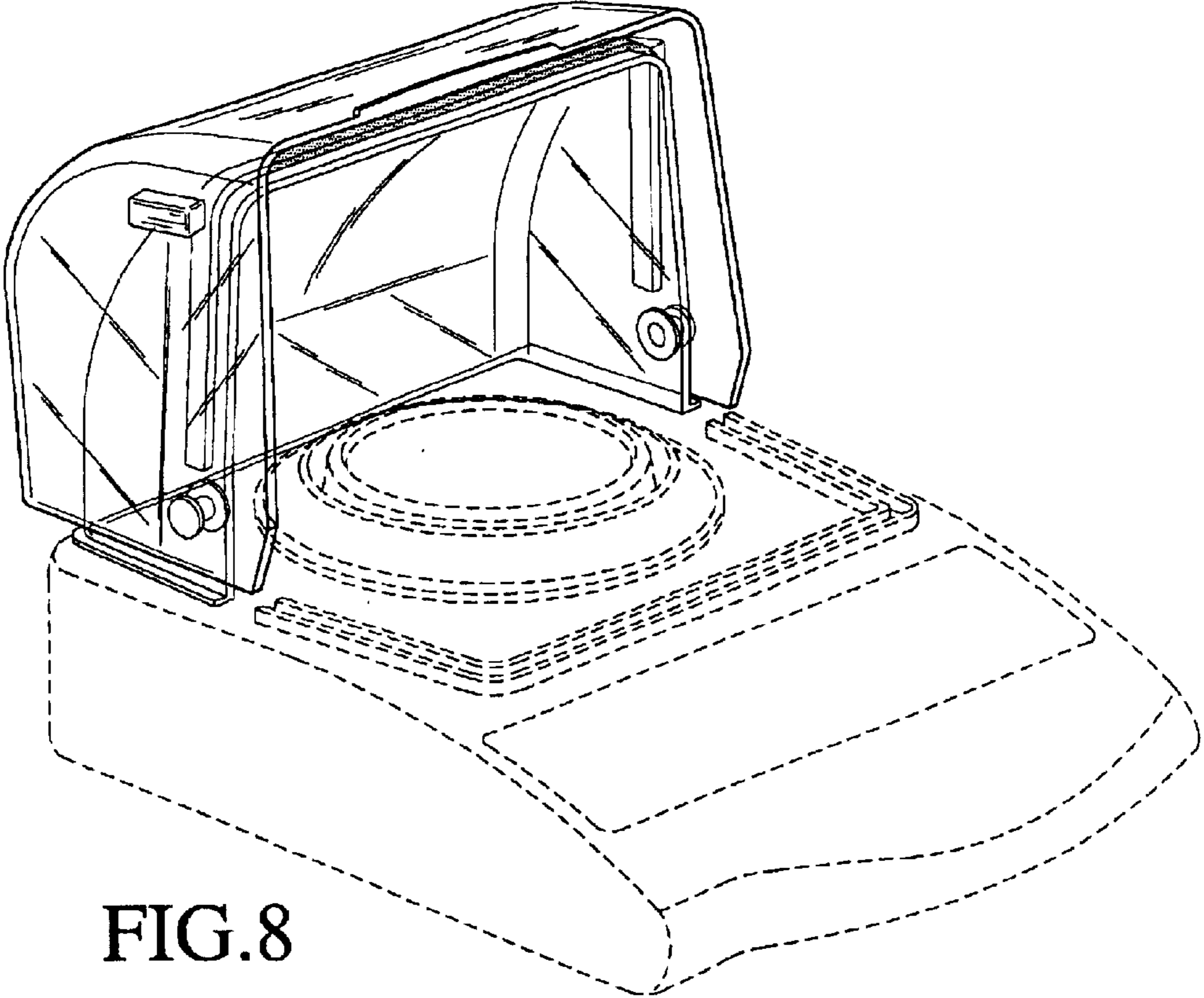


FIG. 8