

US00D493376S1

(12) **United States Design Patent**
Right et al.

(10) **Patent No.:** **US D493,376 S**
(45) **Date of Patent:** **** Jul. 27, 2004**

(54) **AMBIENT CONDITION DETECTOR**

6,600,424 B1 * 7/2003 Morris 340/628

(75) Inventors: **Robert Right**, Holmes Beach, FL (US);
Hilario Costa, Myakka City, FL (US);
Ken Patterson, Bradenton, FL (US)

* cited by examiner

Primary Examiner—Antoine D. Davis

(74) *Attorney, Agent, or Firm*—Baker & Hostetler LLP

(73) Assignee: **Edwards Systems Technology, Inc.**,
Cheshire, CT (US)

(57) **CLAIM**

(**) Term: **14 Years**

The ornamental design for an ambient condition detector, as shown and described.

(21) Appl. No.: **29/188,285**

DESCRIPTION

(22) Filed: **Aug. 18, 2003**

(51) **LOC (7) Cl.** **10-04**

(52) **U.S. Cl.** **D10/52**

(58) **Field of Search** D10/52-53, 96;
340/522, 577, 693.5, 693.6, 693.7, 693.8,
693.9, 693.11, 693.12

FIG. 1 is a perspective drawing of the top view one exemplary embodiment of the ambient condition detector; FIG. 2 is a perspective drawing of the bottom view thereof; FIG. 3 is a top view thereof; FIG. 4 is a bottom view thereof; FIG. 5 is a side view thereof; and, FIG. 6 is a front view thereof.

(56) **References Cited**

U.S. PATENT DOCUMENTS

6,577,242 B2 * 6/2003 Jen et al. 340/693.5

1 Claim, 6 Drawing Sheets

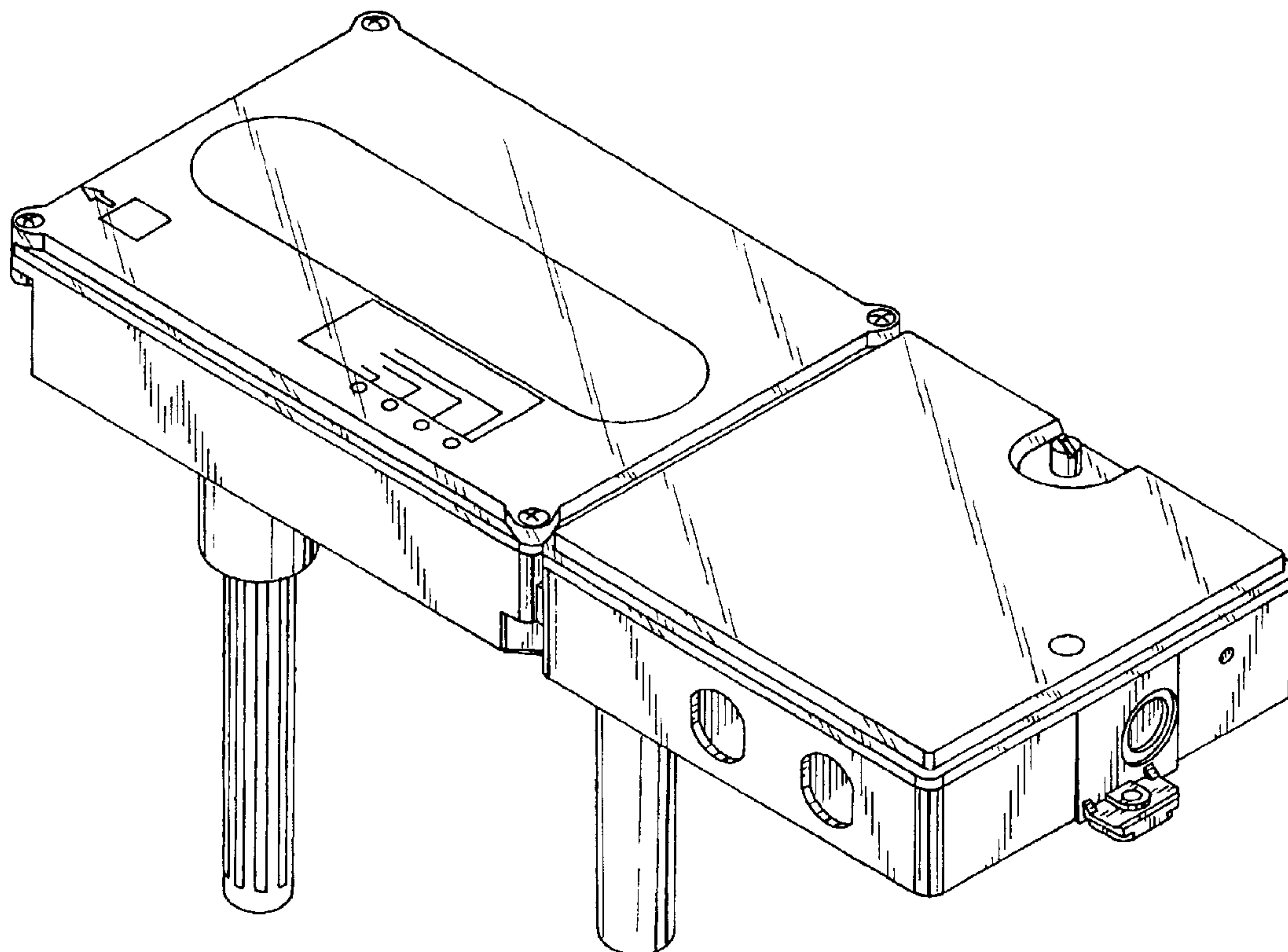
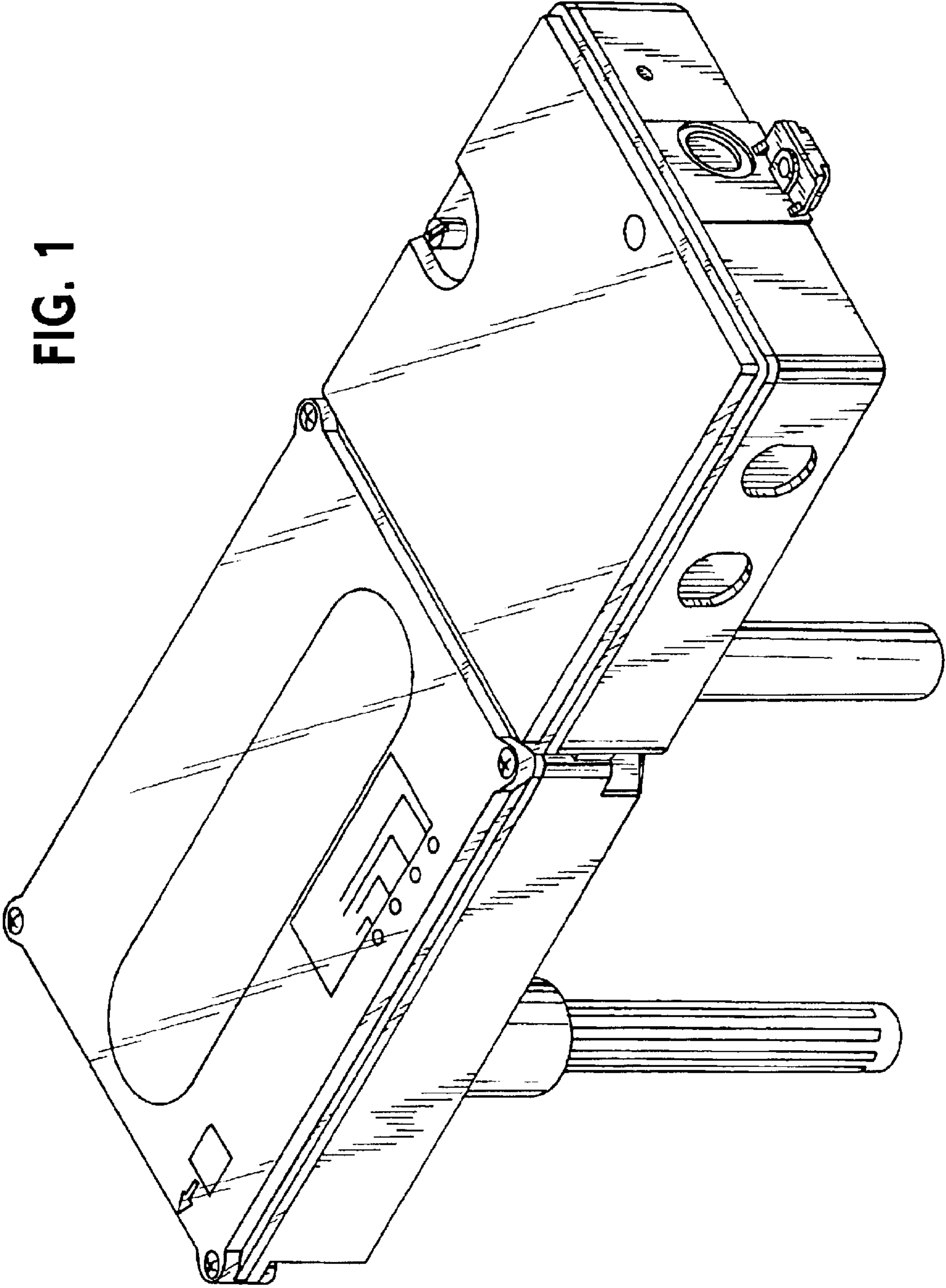


FIG. 1



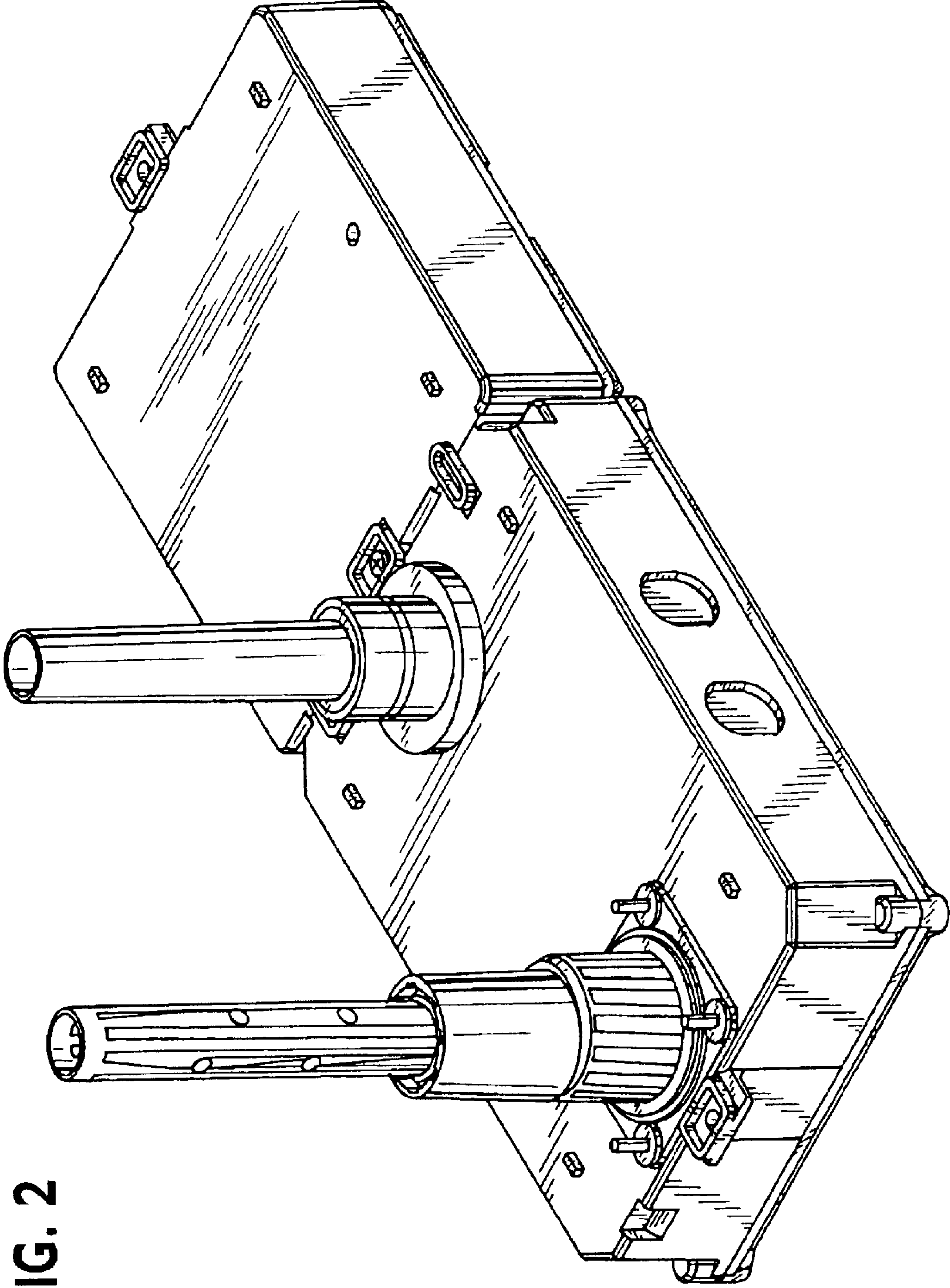


FIG. 2

FIG. 3

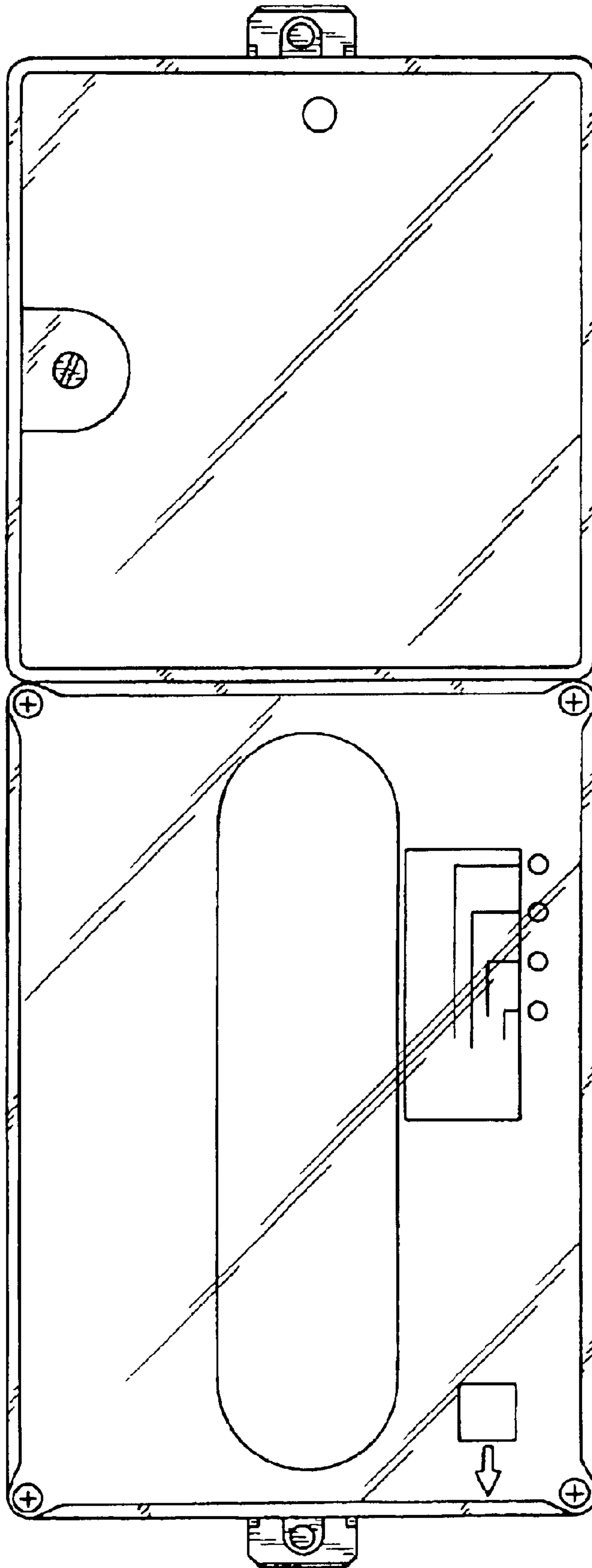
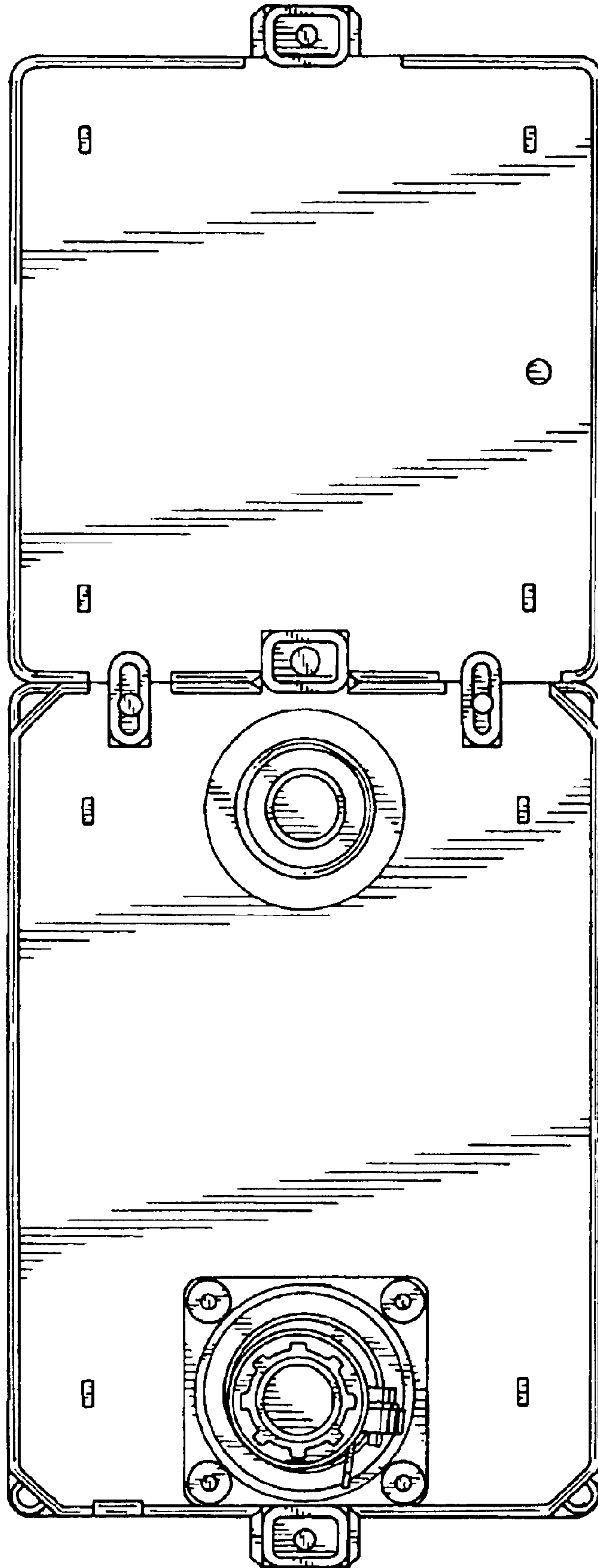


FIG. 4



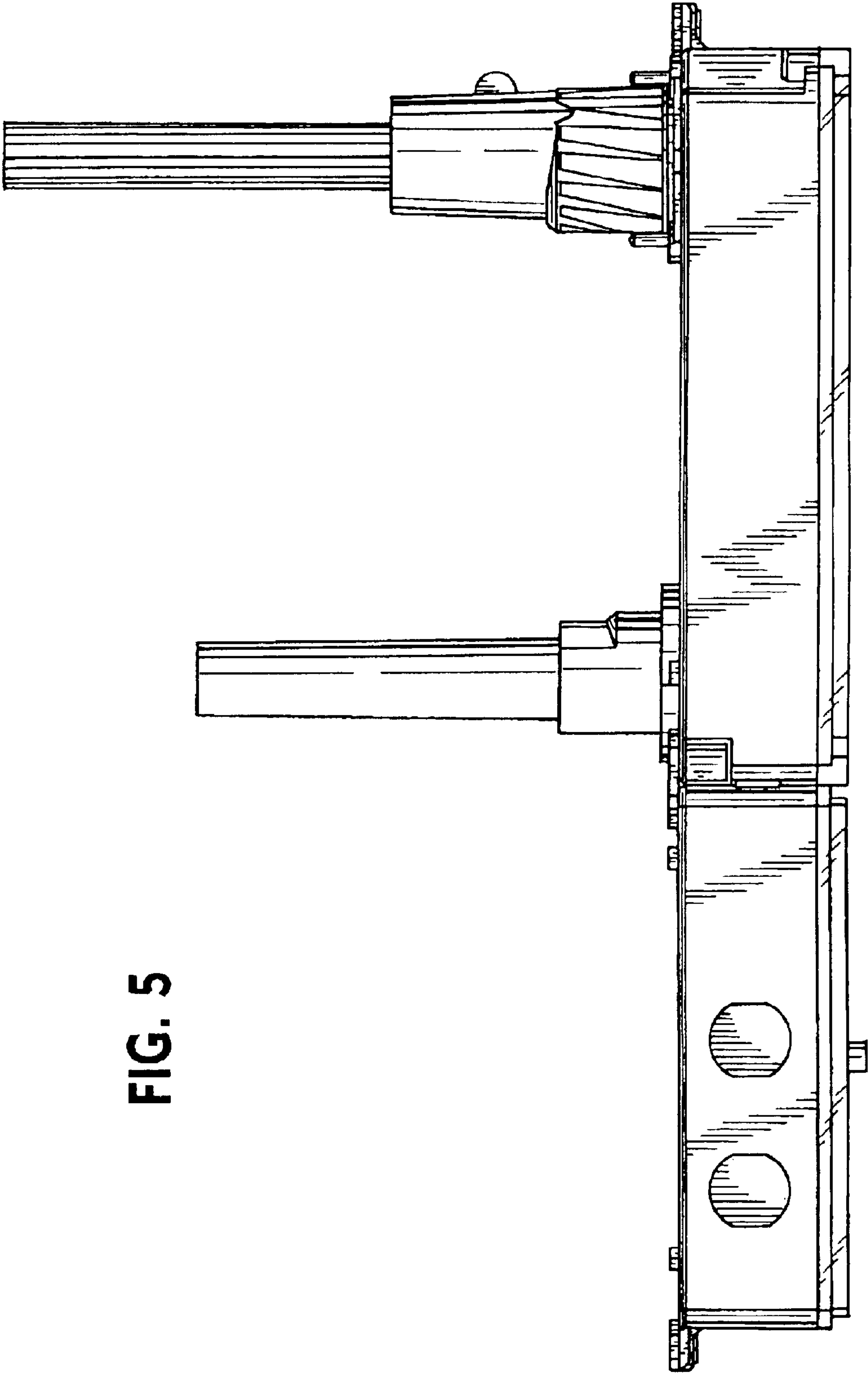


FIG. 5

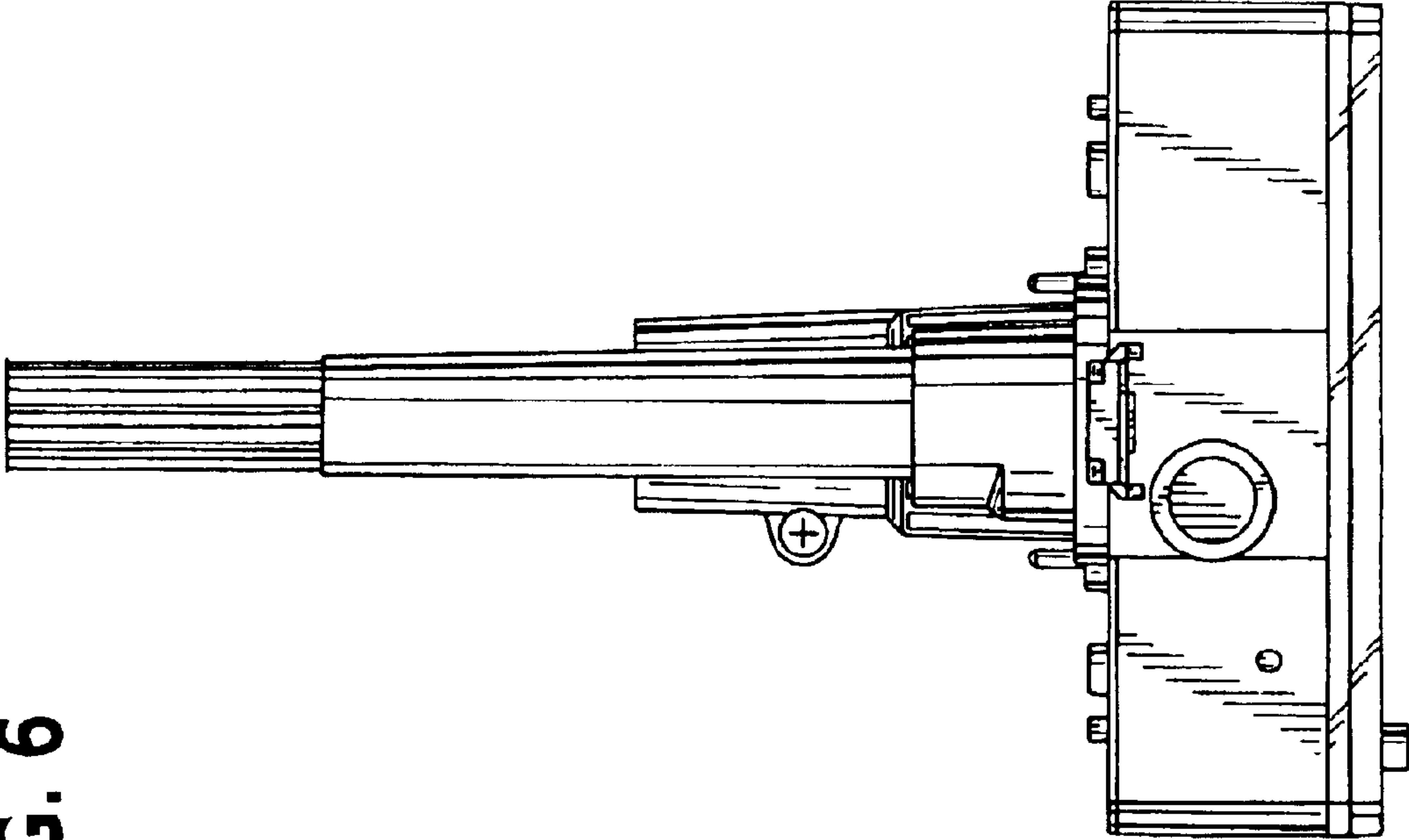


FIG. 6