

US00D493373S1

(12) **United States Design Patent** (10) **Patent No.:** **US D493,373 S**  
**Sun** (45) **Date of Patent:** **\*\* Jul. 27, 2004**

(54) **WATCH CASING AND PORTION OF A STRAP**

(75) **Inventor:** **Helen Hueinung Sun**, Beacon Falls, CT (US)

(73) **Assignee:** **Timex Group B.V.** (NL)

(\*\*) **Term:** **14 Years**

(21) **Appl. No.:** **29/185,563**

(22) **Filed:** **Jun. 30, 2003**

(51) **LOC (7) Cl.** ..... **10-02**

(52) **U.S. Cl.** ..... **D10/30**

(58) **Field of Search** ..... D10/1-40, 122-132;  
368/28-30, 41-44, 82-84, 239-242, 276-277,  
280-282, 285

(56) **References Cited**

**U.S. PATENT DOCUMENTS**

D339,749 S	*	9/1993	Ishizaka	.....	D10/38
D355,376 S	*	2/1995	Nakai	.....	D10/38
D387,677 S	*	12/1997	Hanagata	.....	D10/30
D452,169 S	*	12/2001	Syoubayashi	.....	D10/30
D472,477 S		4/2003	Sun		
D480,317 S	*	10/2003	Yan	.....	D10/30
D482,627 S	*	11/2003	Houlihan	.....	D10/30

**OTHER PUBLICATIONS**

2003 Timex Catalog, pp. 28 and 29.

\* cited by examiner

*Primary Examiner*—Nelson C. Holtje

(74) *Attorney, Agent, or Firm*—Carmody & Torrance LLP

(57) **CLAIM**

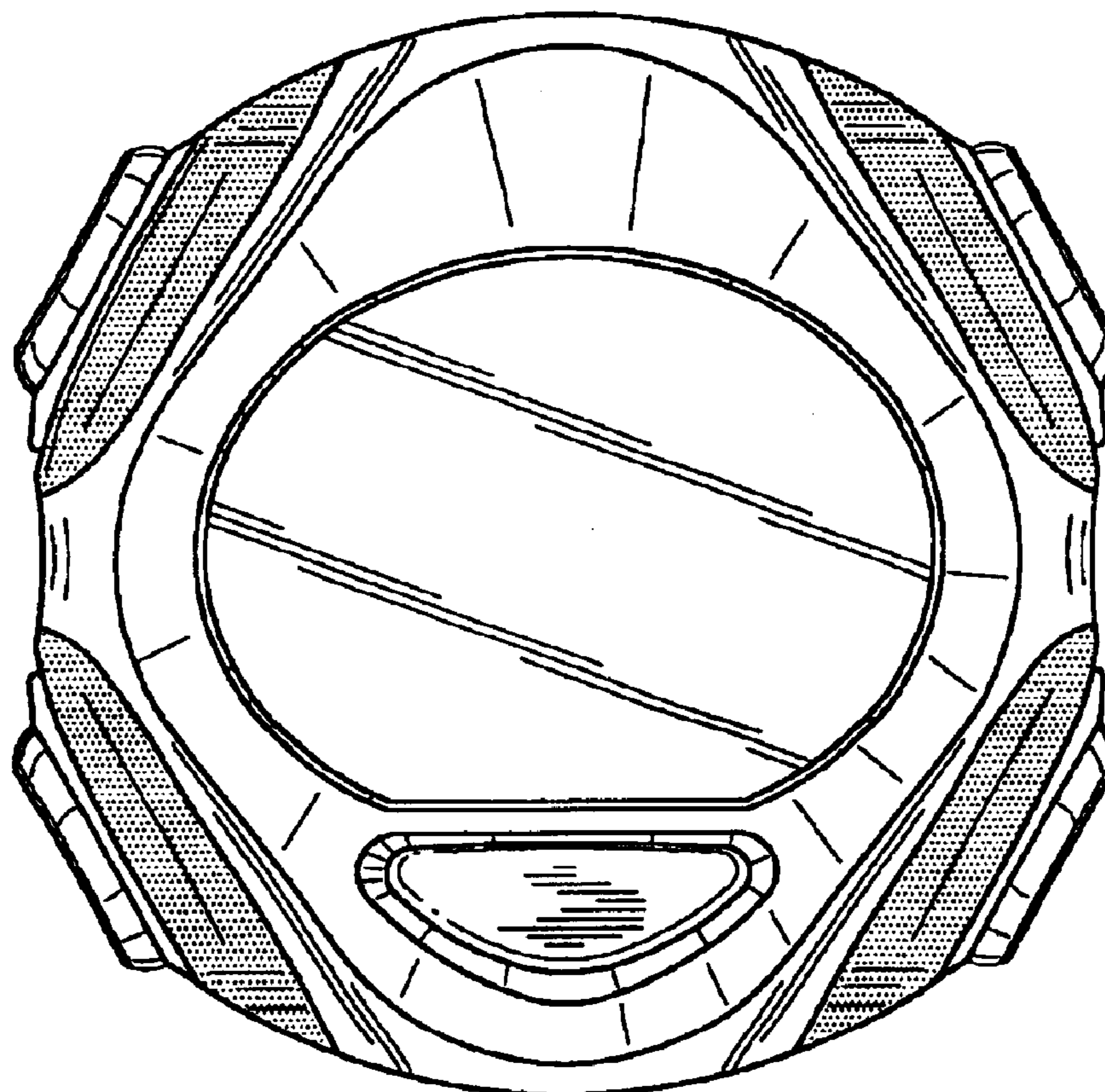
The ornamental design for a watch casing and portion of a strap, as shown and described.

**DESCRIPTION**

FIG. 1 is a perspective view of a watch casing and portion of a strap showing my new design;  
FIG. 2 is a top plan view thereof;  
FIG. 3 is a left side elevational view thereof;  
FIG. 4 is a right side elevational view thereof;  
FIG. 5 is a first end elevational view thereof;  
FIG. 6 is a second end elevational view thereof; and,  
FIG. 7 is a bottom plan view.

The speckled dots are intended to illustrate a contrast in color and/or material used to construct and illustrate the claimed invention. The fact that the drawings illustrate dots, in and of itself, is not material to the invention.

**1 Claim, 3 Drawing Sheets**



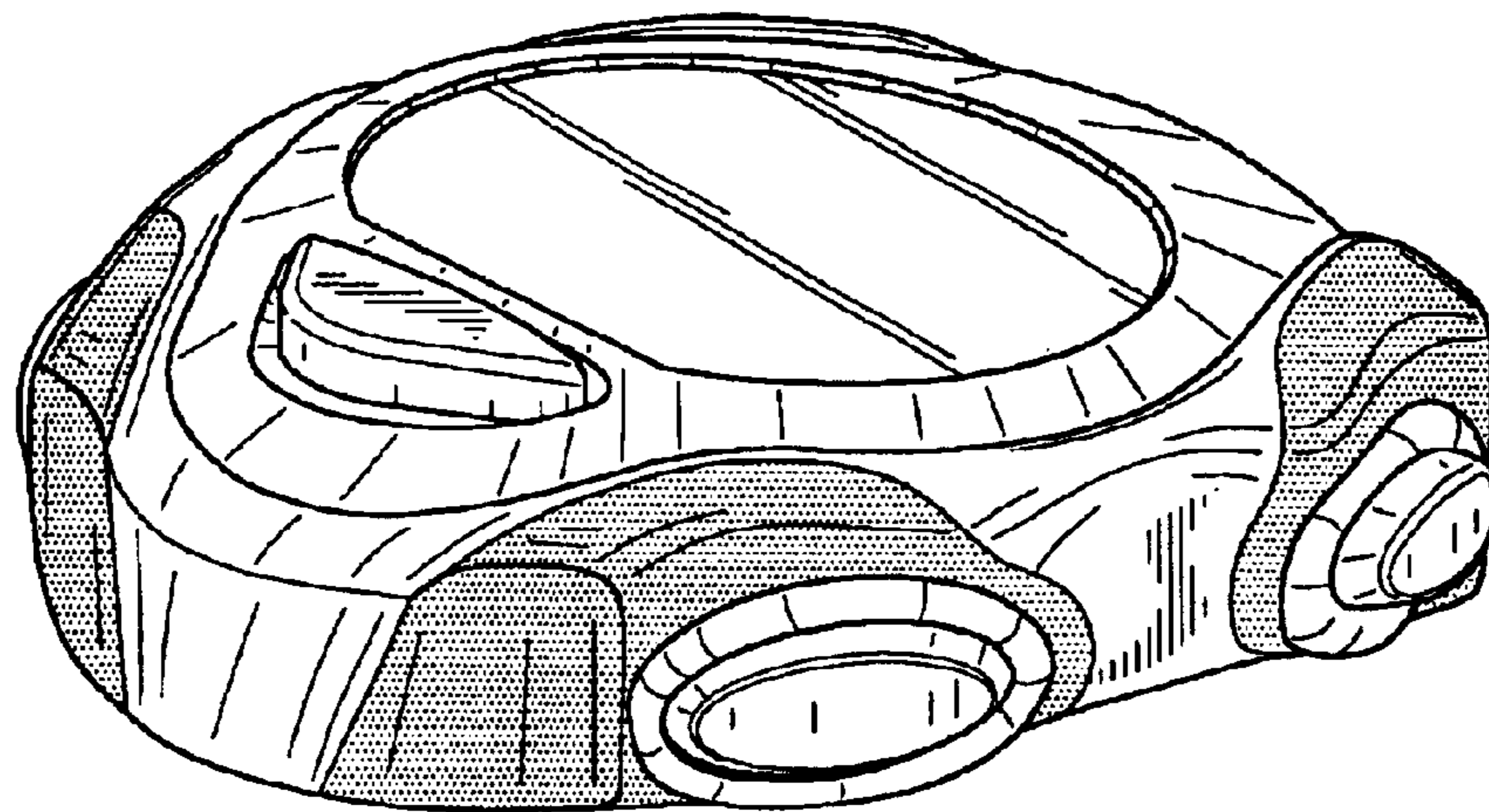


FIG. 1

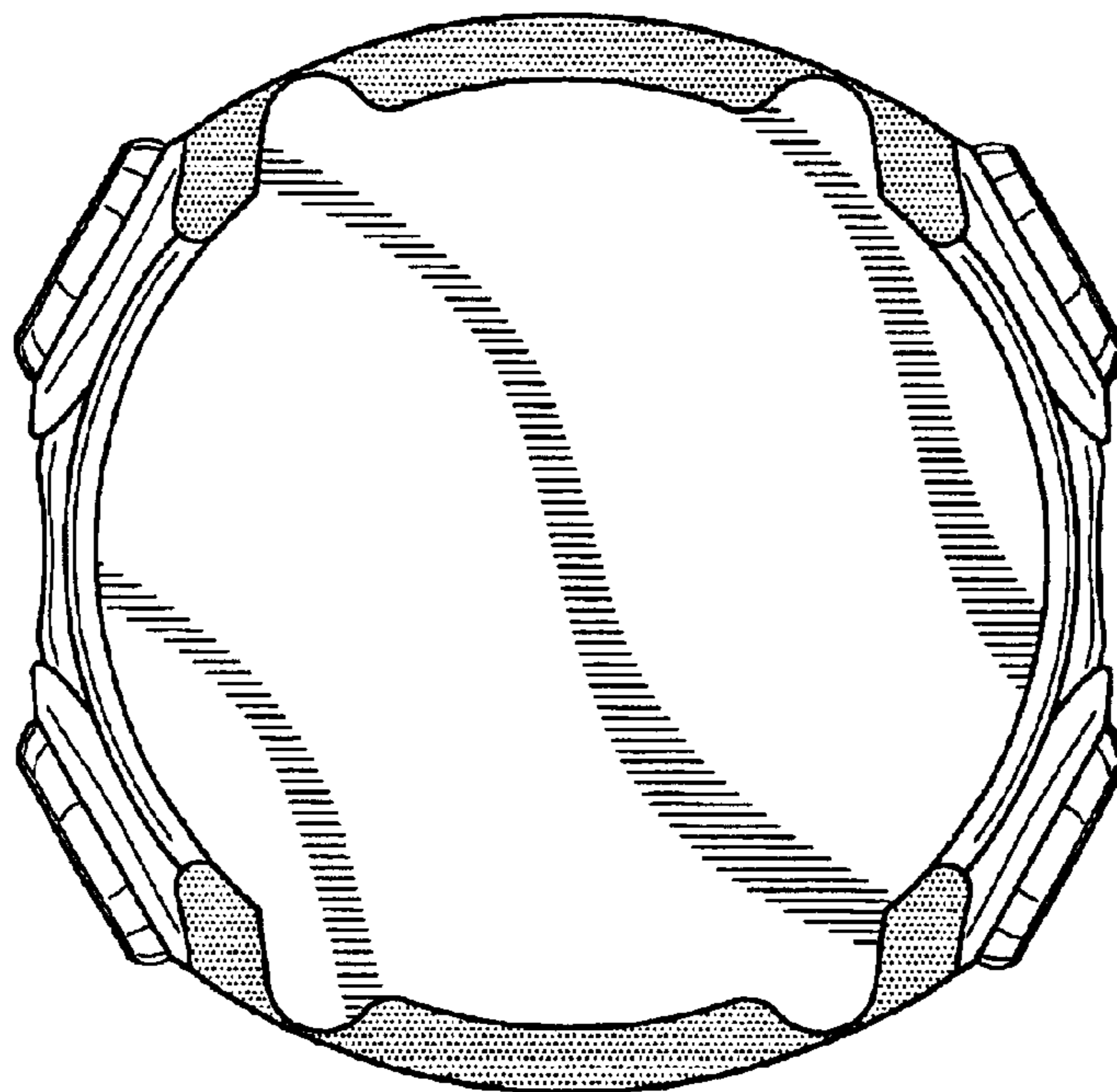


FIG. 7



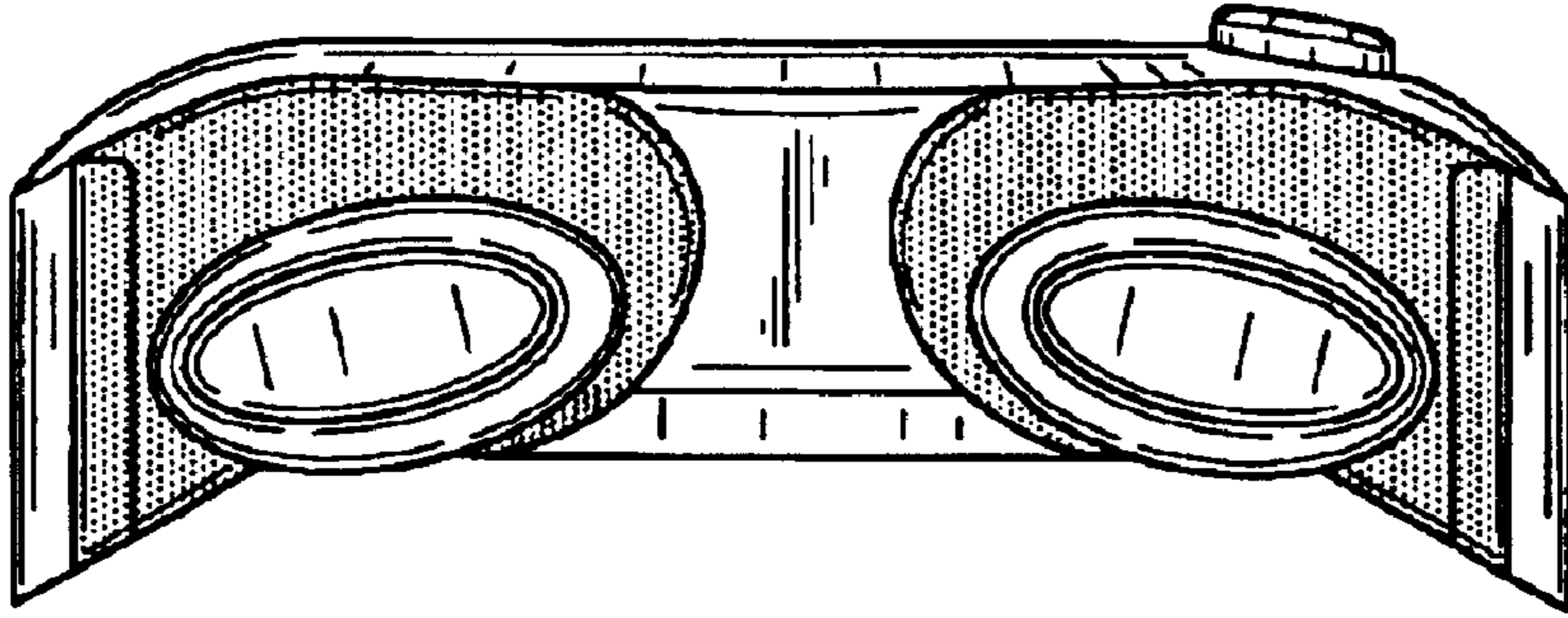


FIG. 3

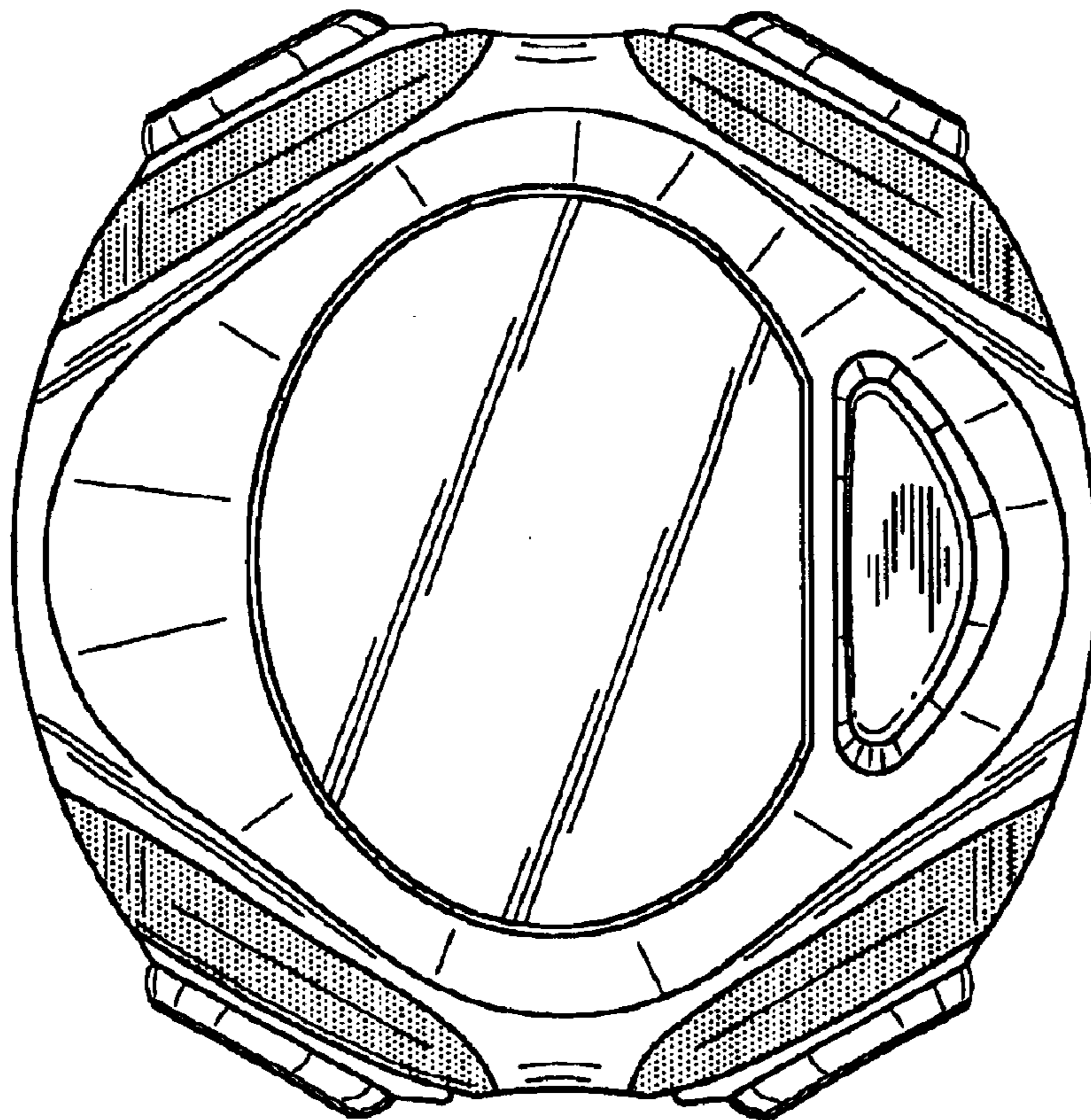


FIG. 2

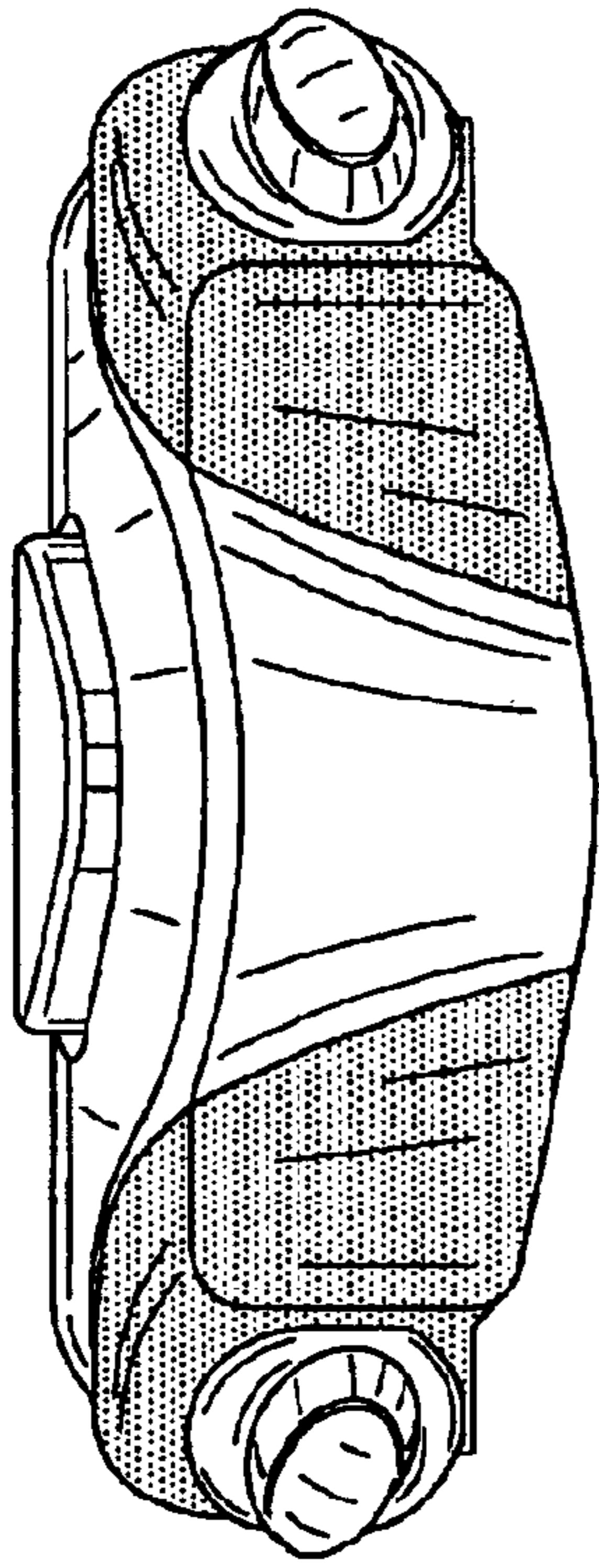


FIG. 5

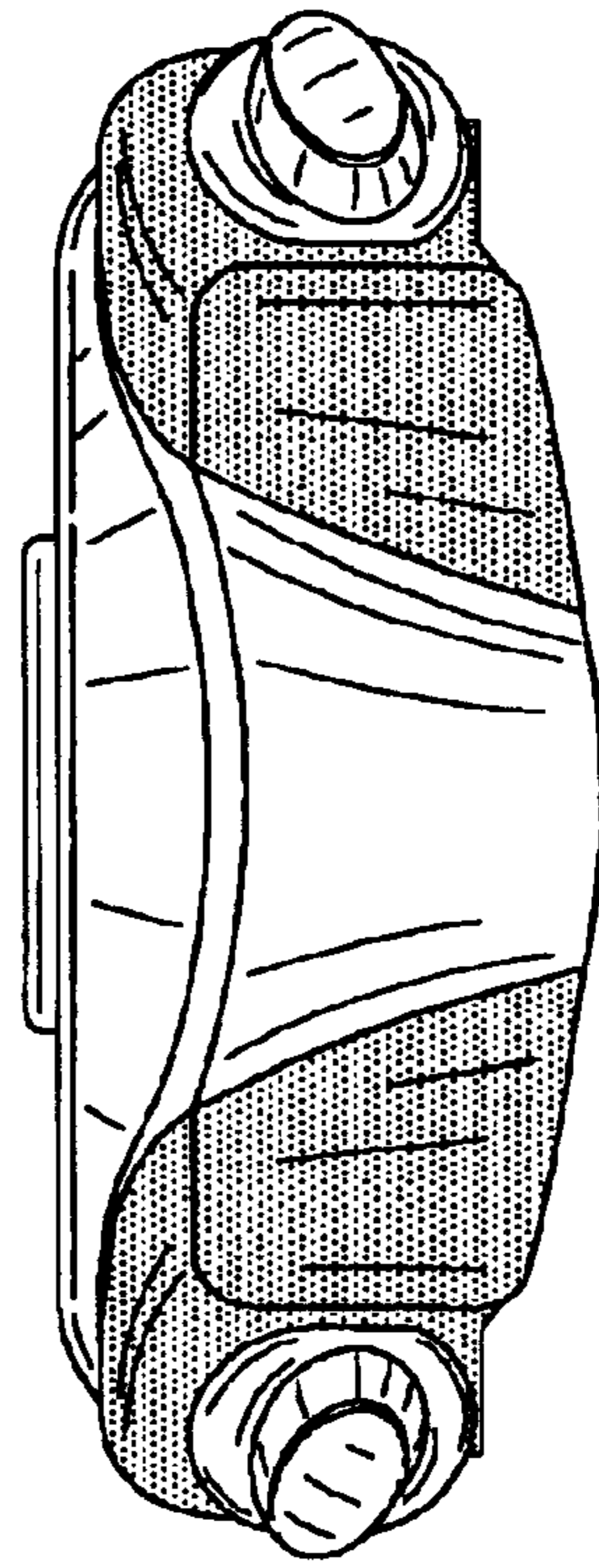


FIG. 6

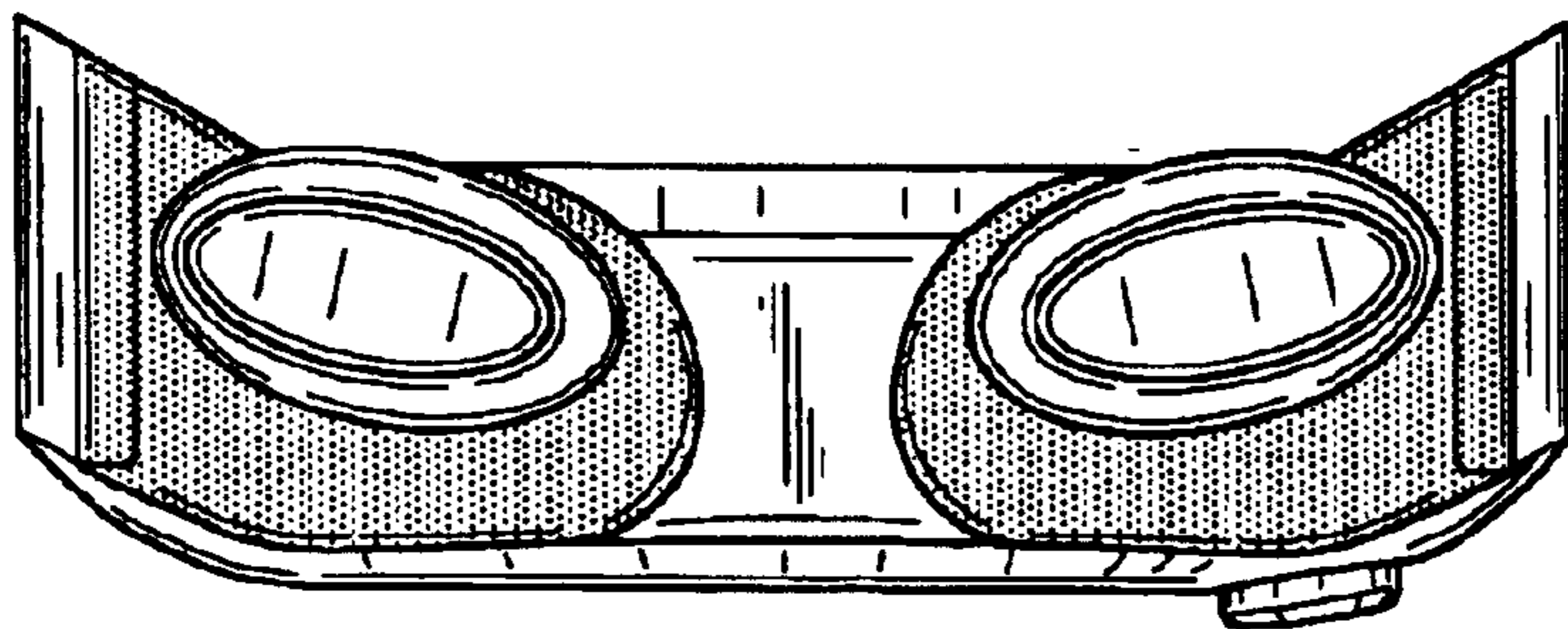


FIG. 4