

US00D493361S1

(12) **United States Design Patent**  
**Nezu**

(10) **Patent No.:** **US D493,361 S**  
(45) **Date of Patent:** **\*\* Jul. 27, 2004**

(54) **CORD FASTENING DEVICE**

(75) Inventor: **Mikio Nezu**, Osaka-fu (JP)

(73) Assignee: **Nifco Inc.**, Yokohama (JP)

(\*\*) Term: **14 Years**

(21) Appl. No.: **29/190,081**

(22) Filed: **Sep. 16, 2003**

(30) **Foreign Application Priority Data**

Mar. 27, 2003 (JP) ..... 2003-008341

(51) **LOC (7) Cl.** ..... **08-08**

(52) **U.S. Cl.** ..... **D8/383**

(58) **Field of Search** ..... D8/383, 395; D11/215;  
24/115 R, 115 H, 115 G, 129 R, 136 R

(56) **References Cited**

**U.S. PATENT DOCUMENTS**

6,334,240 B1 \* 1/2002 Li ..... 24/115 G  
D465,408 S \* 11/2002 Man et al. .... D8/395

**FOREIGN PATENT DOCUMENTS**

JP D1108774 3/2001  
JP D1113004 4/2001  
JP D1113975 5/2001

\* cited by examiner

*Primary Examiner*—Holly Baynham

(74) *Attorney, Agent, or Firm*—Kanesaka & Takeuchi

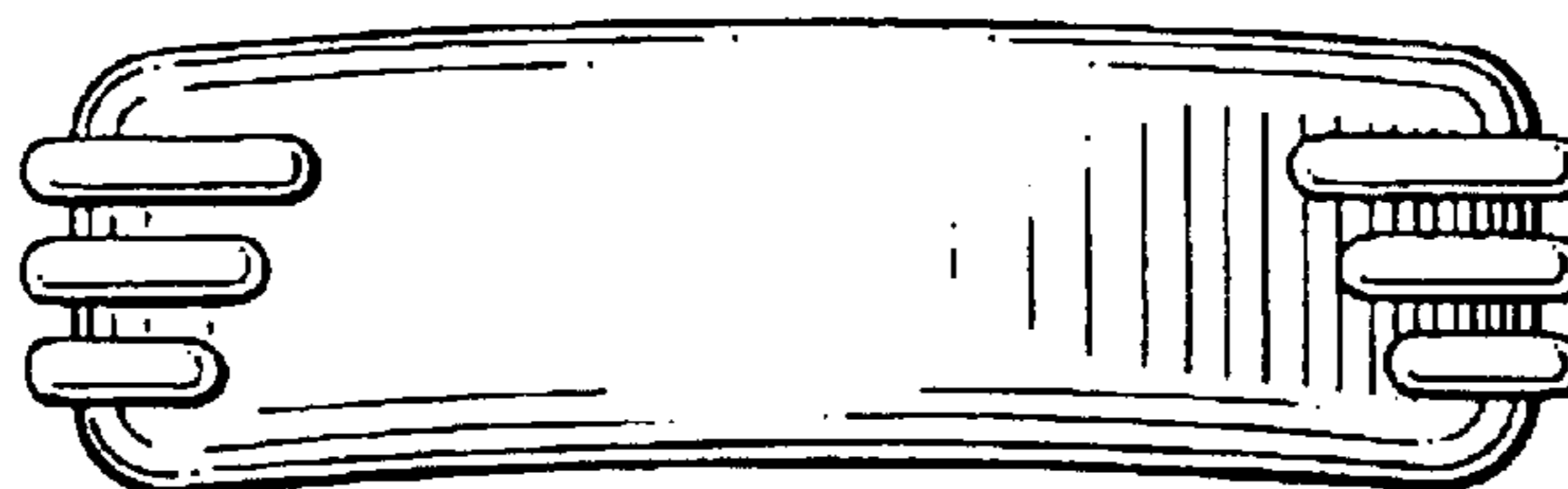
(57) **CLAIM**

The ornamental design for a cord fastening device, as shown and described.

**DESCRIPTION**

FIG. 1 is a perspective view of a cord fastening device showing my new design;  
FIG. 2 is a front view thereof, a rear view thereof being the same as the front view;  
FIG. 3 is a right side view thereof, a left side view being the same as the right side view;  
FIG. 4 is a plan view thereof;  
FIG. 5 is a bottom view thereof; and,  
FIG. 6 is a sectional view taken along line 6—6 in FIG. 4.

**1 Claim, 2 Drawing Sheets**



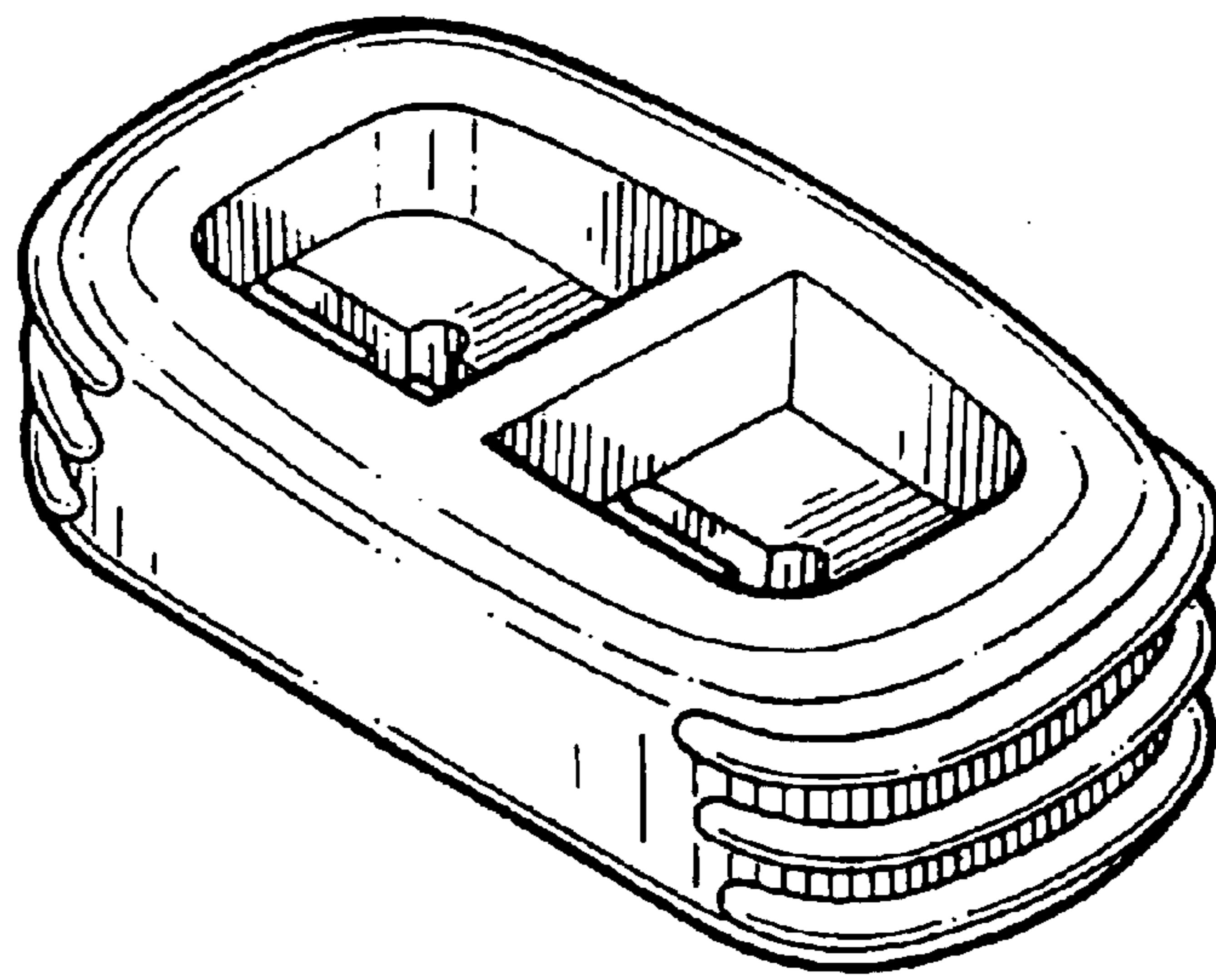


FIG. 1

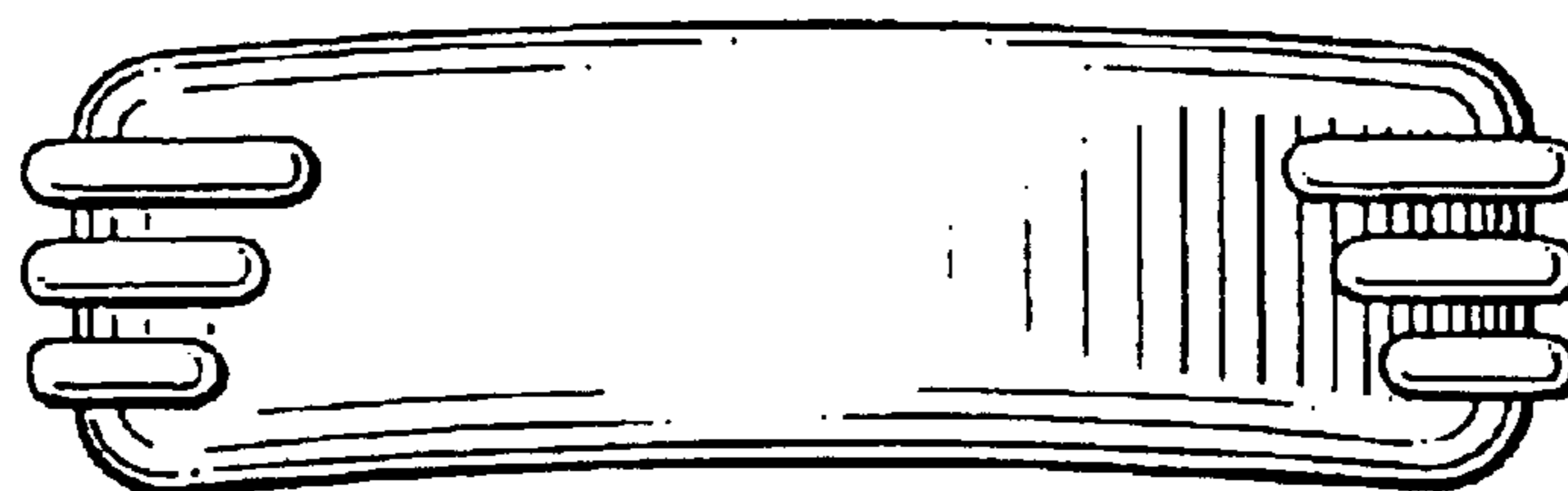


FIG. 2

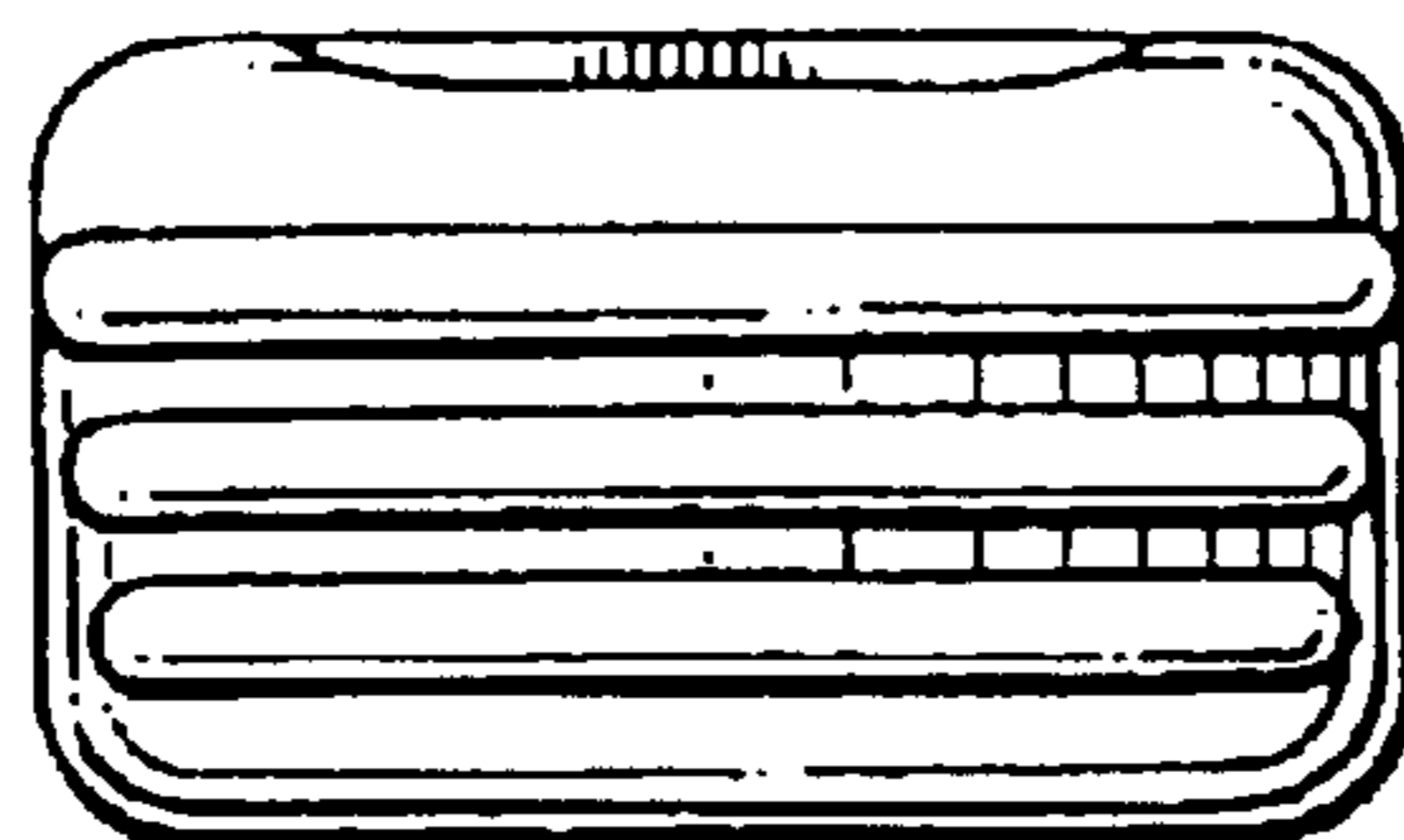


FIG. 3

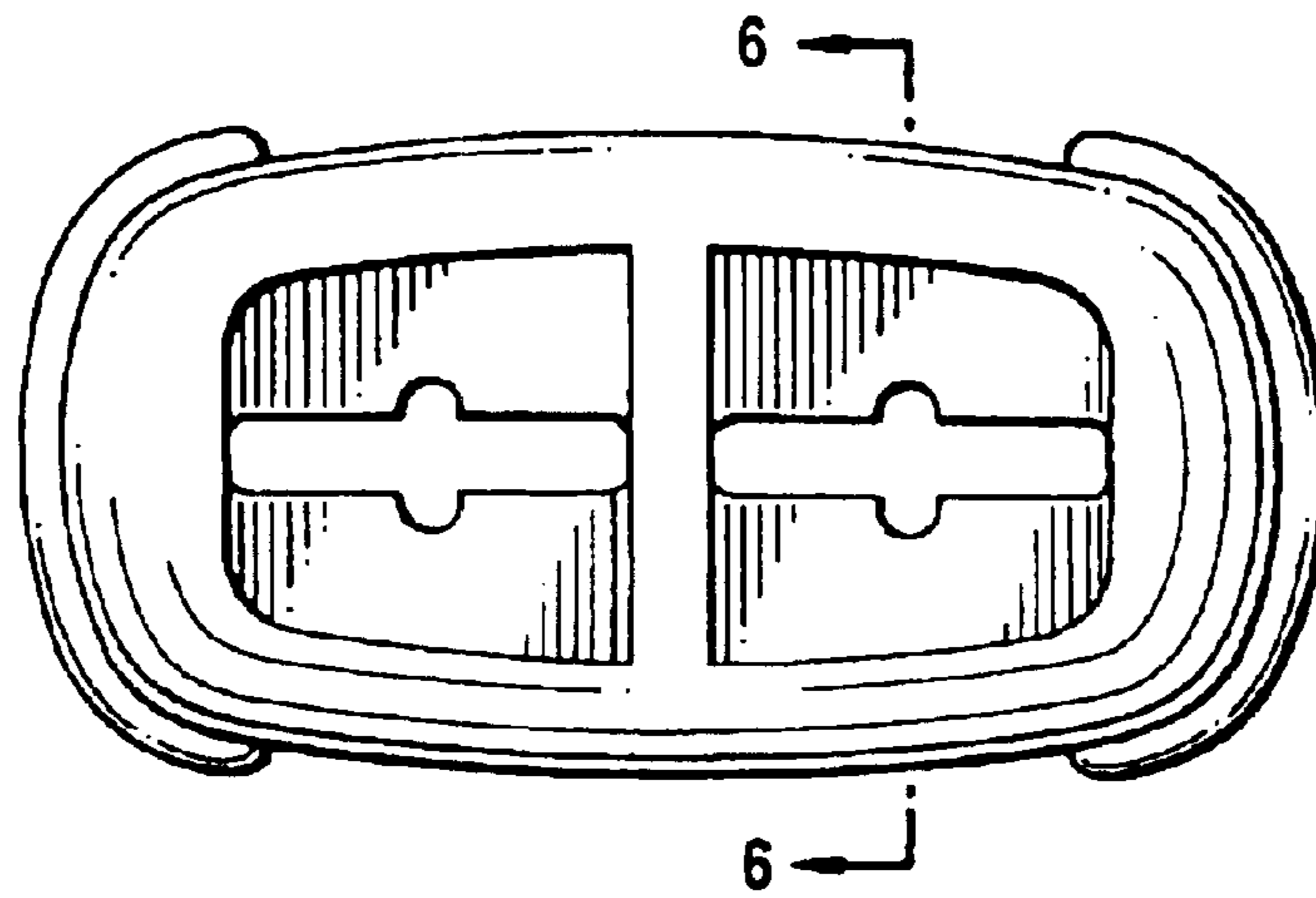


FIG. 4

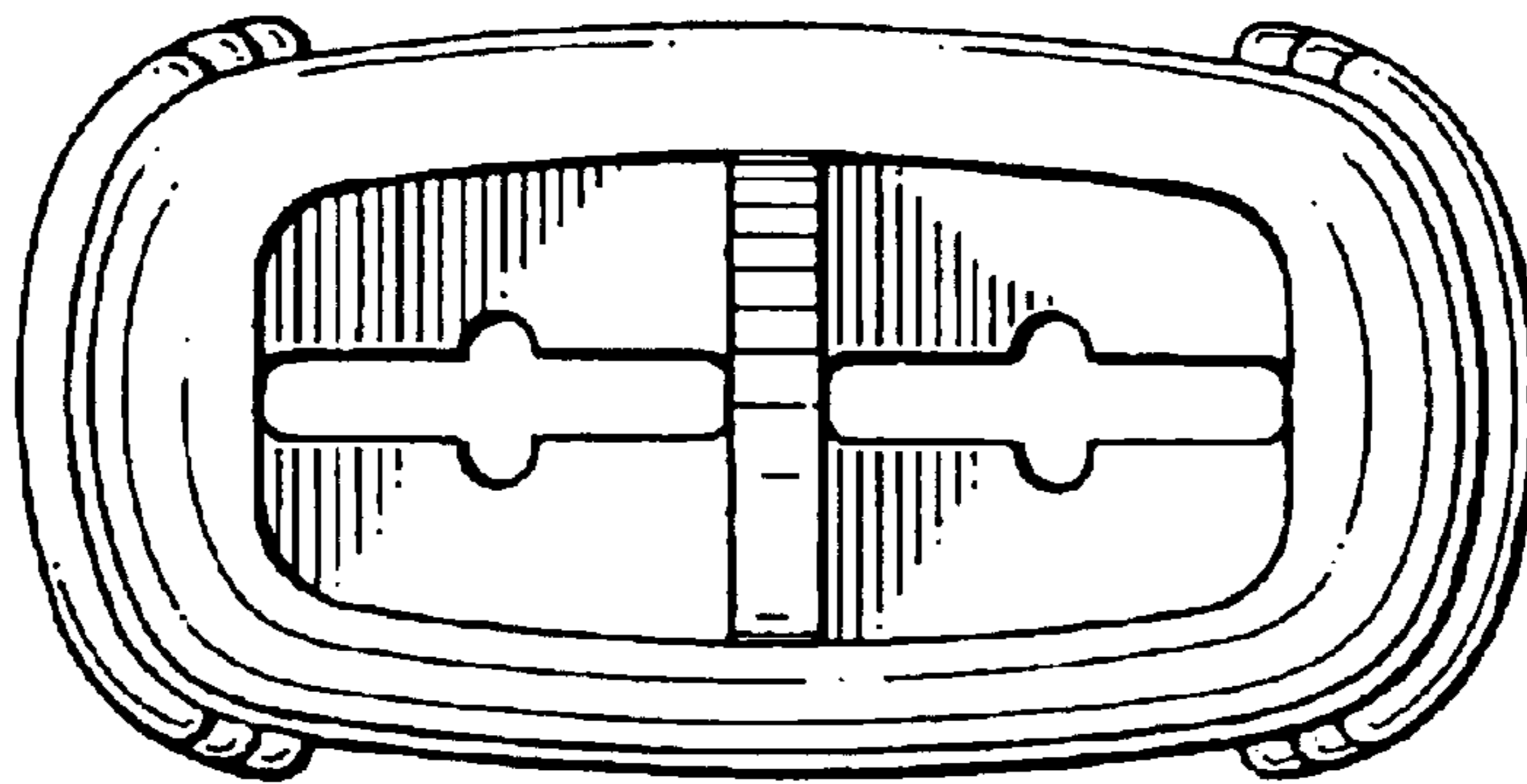


FIG. 5

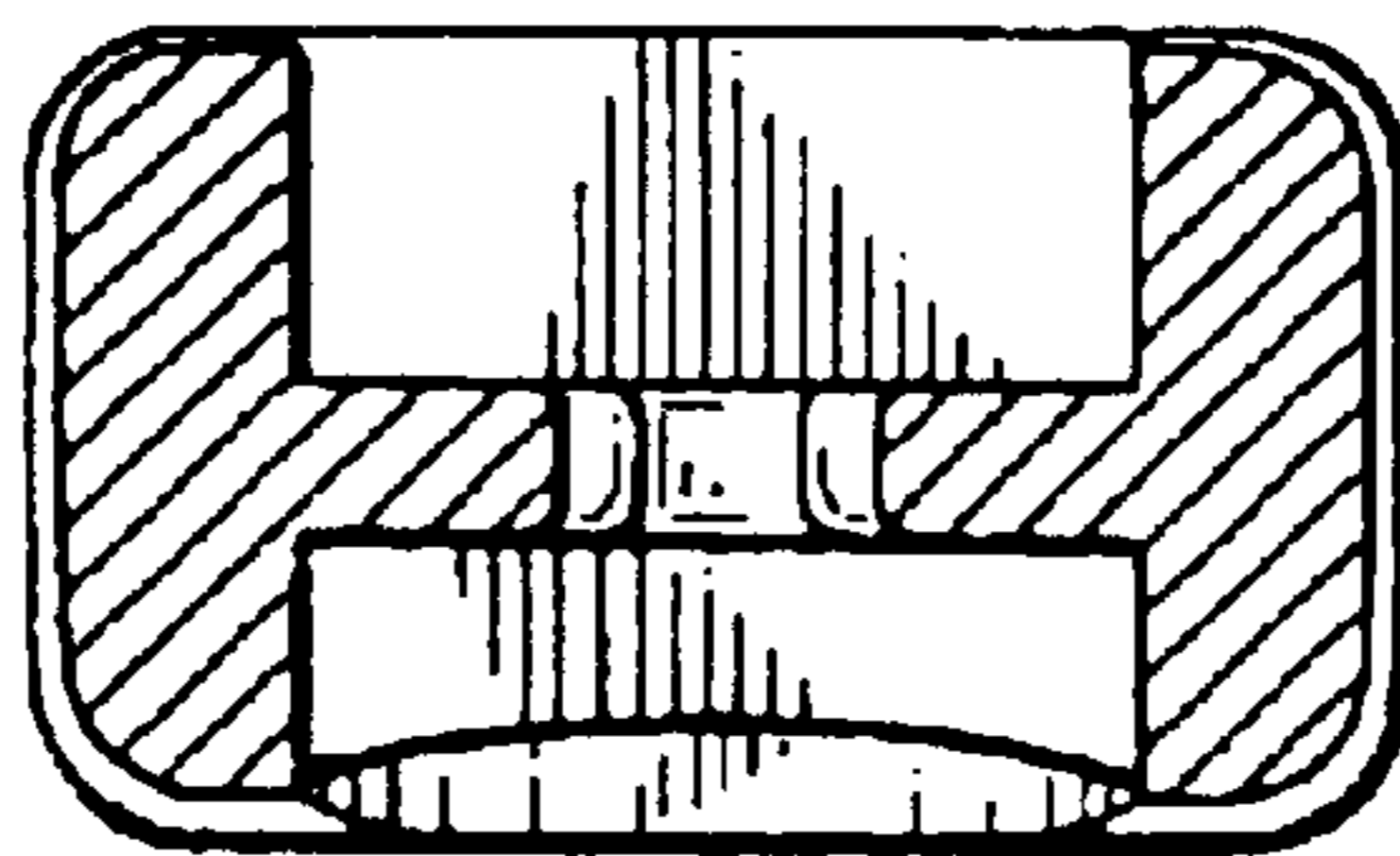


FIG. 6