

US00D493351S1

(12) **United States Design Patent**  
**Wegman**

(10) **Patent No.:** **US D493,351 S**  
(45) **Date of Patent:** **\*\* Jul. 27, 2004**

(54) **CABINET HINGE**

(75) **Inventor:** **Thomas Wegman**, Effingham, IL (US)

(73) **Assignee:** **Stevens Industries, Inc.**, Teutopolis, IL (US)

(\*\*) **Term:** **14 Years**

(21) **Appl. No.:** **29/165,954**

(22) **Filed:** **Aug. 20, 2002**

(51) **LOC (7) Cl.** ..... **08-06**

(52) **U.S. Cl.** ..... **D8/323**

(58) **Field of Search** ..... D8/323-329; 16/50,  
16/221, DIG. 29, 286, 234, 387, 390-392,  
385, 386

(56) **References Cited**

**U.S. PATENT DOCUMENTS**

2,624,067 A \* 1/1953 Tassell ..... 16/DIG. 29

(List continued on next page.)

*Primary Examiner*—Louis S. Zarfes

*Assistant Examiner*—Deanne Levy

(74) *Attorney, Agent, or Firm*—Olson & Hierl, Ltd.

(57) **CLAIM**

The ornamental design for a cabinet hinge, as shown and described.

**DESCRIPTION**

FIG. 1 is an environmental perspective view of the inventive design for a cabinet hinge showing the cabinet hinge in a closed configuration, with associated illustrative screws shown in phantom, and with portions of an illustrative connected cabinet and portions of an illustrative connected cabinet door being shown in phantom;

FIG. 2 is an elevational view of the right side of the FIG. 1 design with portions of the associated illustrative screws being shown in phantom;

FIG. 3 is an elevational view of the left side of the FIG. 1 design with portions of the associated illustrative screws being shown in phantom;

FIG. 4 is a top plan view of the FIG. 1 design with the associated illustrative screws and the portions of the illustrative connected cabinet and of the illustrative connected cabinet door being shown in phantom;

FIG. 5 is a bottom plan view of the FIG. 1 design with the associated illustrative screws and the portions of the illustrative connected cabinet and of the illustrative connected cabinet door being shown in phantom;

FIG. 6 is a front elevational view of the FIG. 1 design with the associated illustrative screws and the portions of the illustrative connected cabinet and of the illustrative connected cabinet door being shown in phantom;

FIG. 7 is a back elevational view of the FIG. 1 design; and FIG. 8 is an elevational perspective view similar to FIG. 1, but showing the cabinet hinge design in an open configuration, with the illustrative associated screws and the portions of the illustrative connected cabinet and of the illustrative connected cabinet door being shown in phantom;

FIG. 9 is an elevational view of the right side of the design shown in FIG. 8 with the illustrative associated screws and the portions of the illustrative connected cabinet and of the illustrative connected cabinet door being shown in phantom;

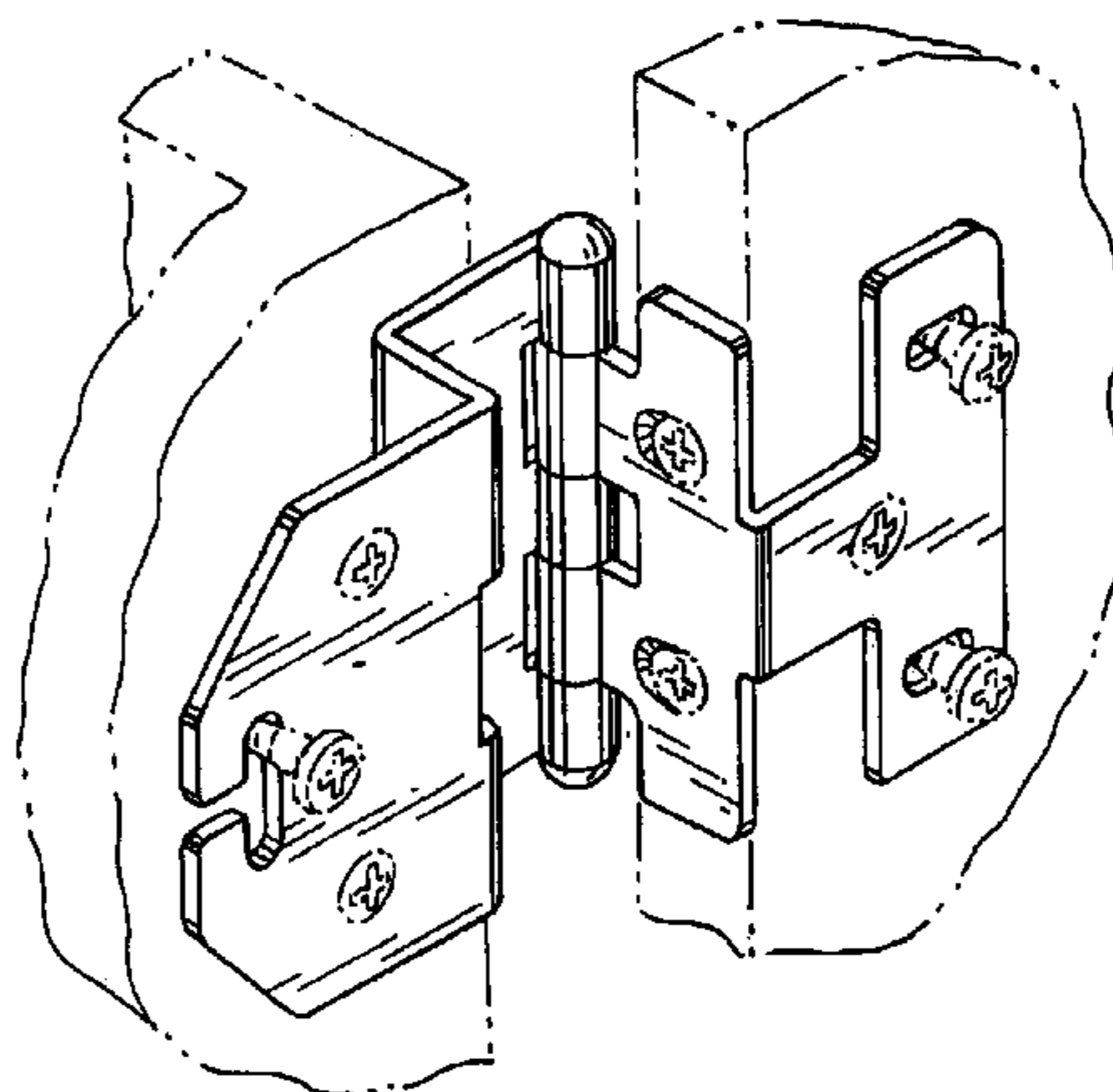
FIG. 10 is an elevational view of the left side of the design shown in FIG. 8 with the illustrative associated screws and the portions of the illustrative connected cabinet and of the illustrative connected cabinet door being shown in phantom; FIG. 11 is a top plan view of the design shown in FIG. 8 with the associated illustrative screws and the portions of the illustrative connected cabinet and of the illustrative connected cabinet door being shown in phantom;

FIG. 12 is a bottom plan view of the design shown in FIG. 8 with the illustrative associated screws and the portions of the illustrative connected cabinet and of the illustrative connected cabinet door being shown in phantom;

FIG. 13 is a front elevational view of the design shown in FIG. 8 with the associated illustrative screws and the portions of the illustrative connected cabinet and of the illustrative connected cabinet door being shown in phantom; and,

FIG. 14 is a back elevational view of the design shown in FIG. 8.

**1 Claim, 4 Drawing Sheets**



# US D493,351 S

Page 2

---

## U.S. PATENT DOCUMENTS

2,808,610 A	10/1957	Minor		3,710,416 A	1/1973	Phelps	
3,439,377 A *	4/1969	Bucholz .....	D8/328	5,067,200 A	11/1991	Stowell et al.	
3,577,584 A	5/1971	Himmelreich		5,144,721 A *	9/1992	Schade .....	16/387
3,591,247 A	7/1971	Berry et al.		5,355,559 A	10/1994	Bowers et al.	

\* cited by examiner

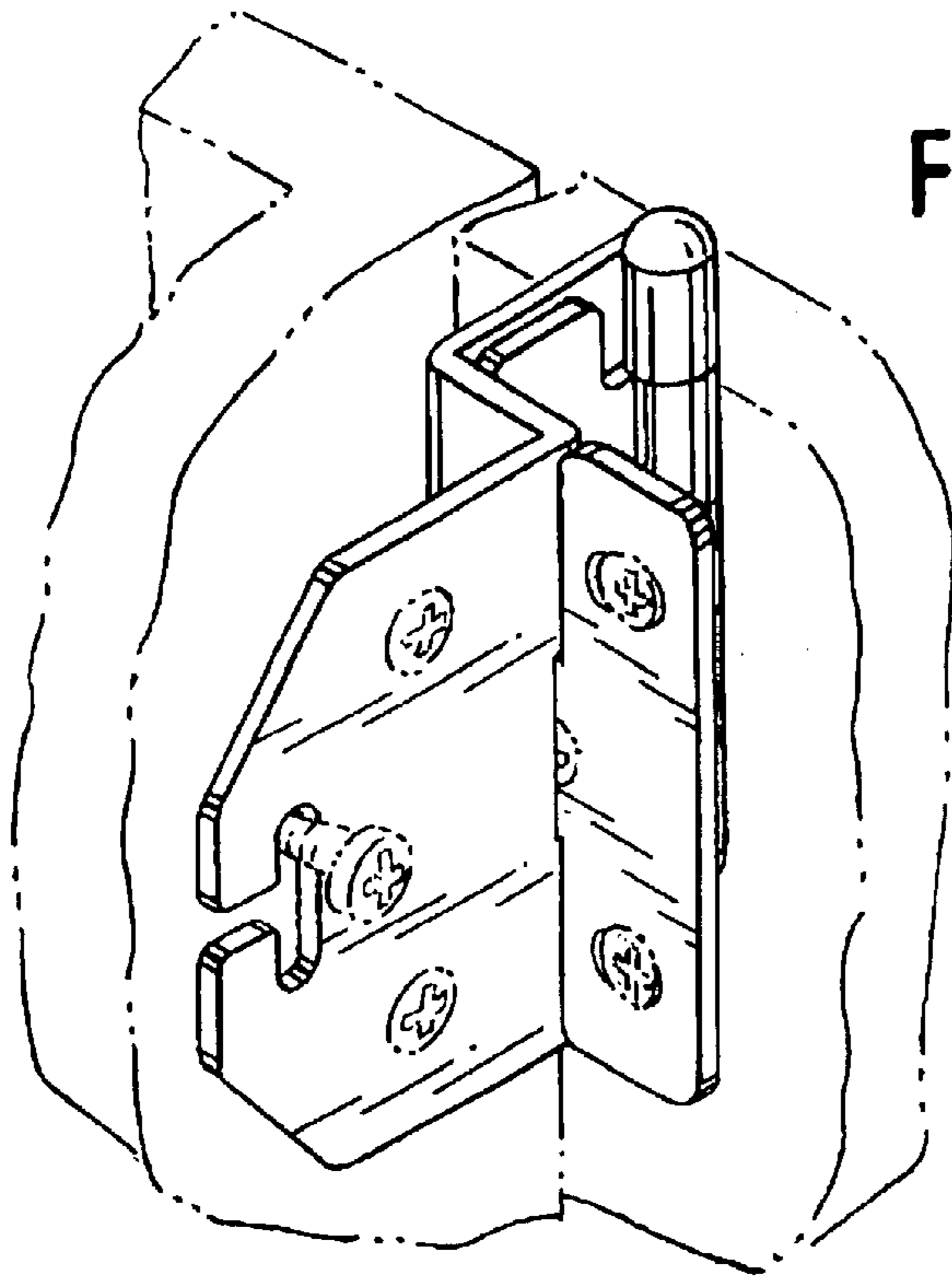


FIG. 1

FIG. 2

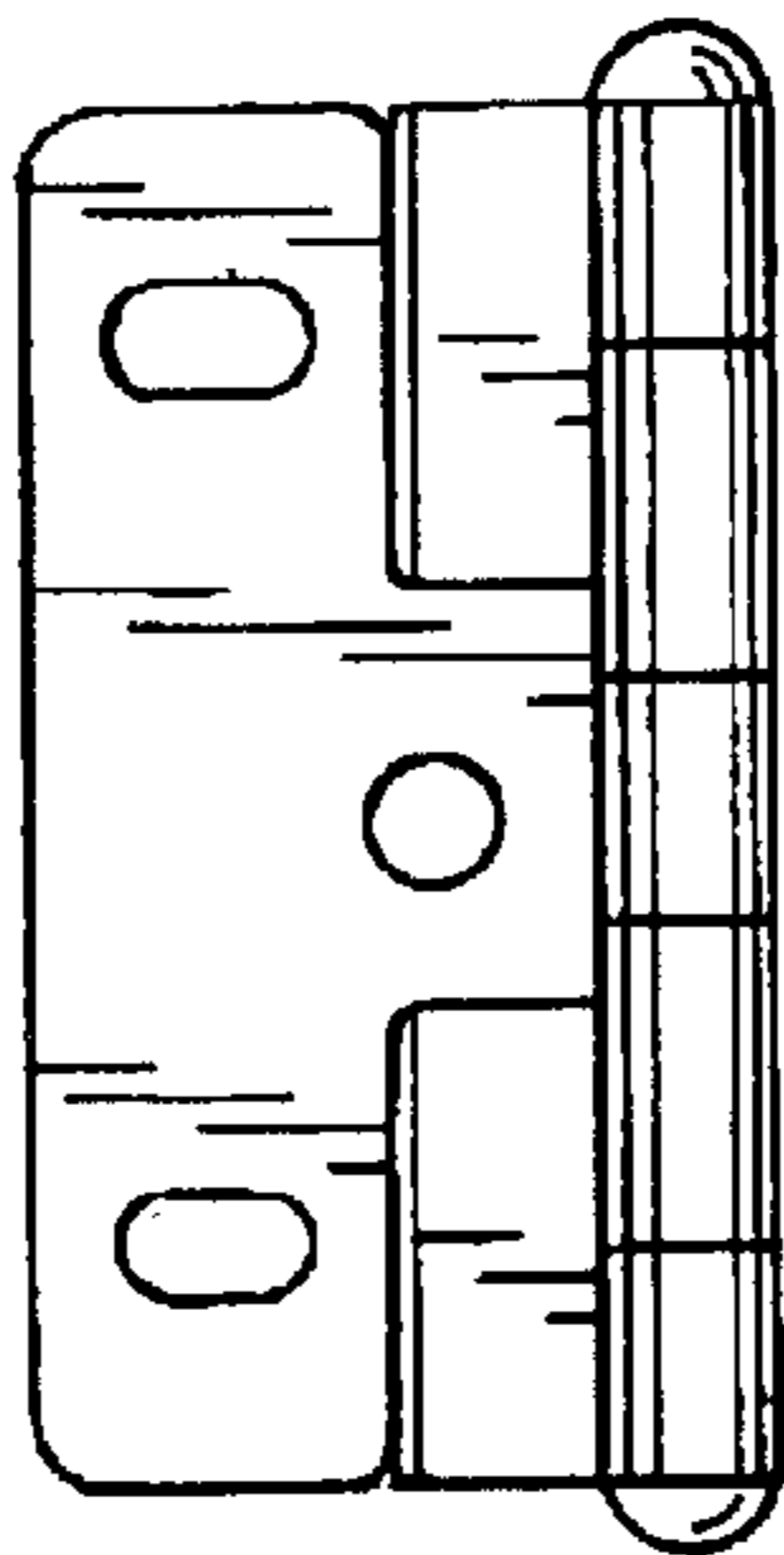


FIG. 3

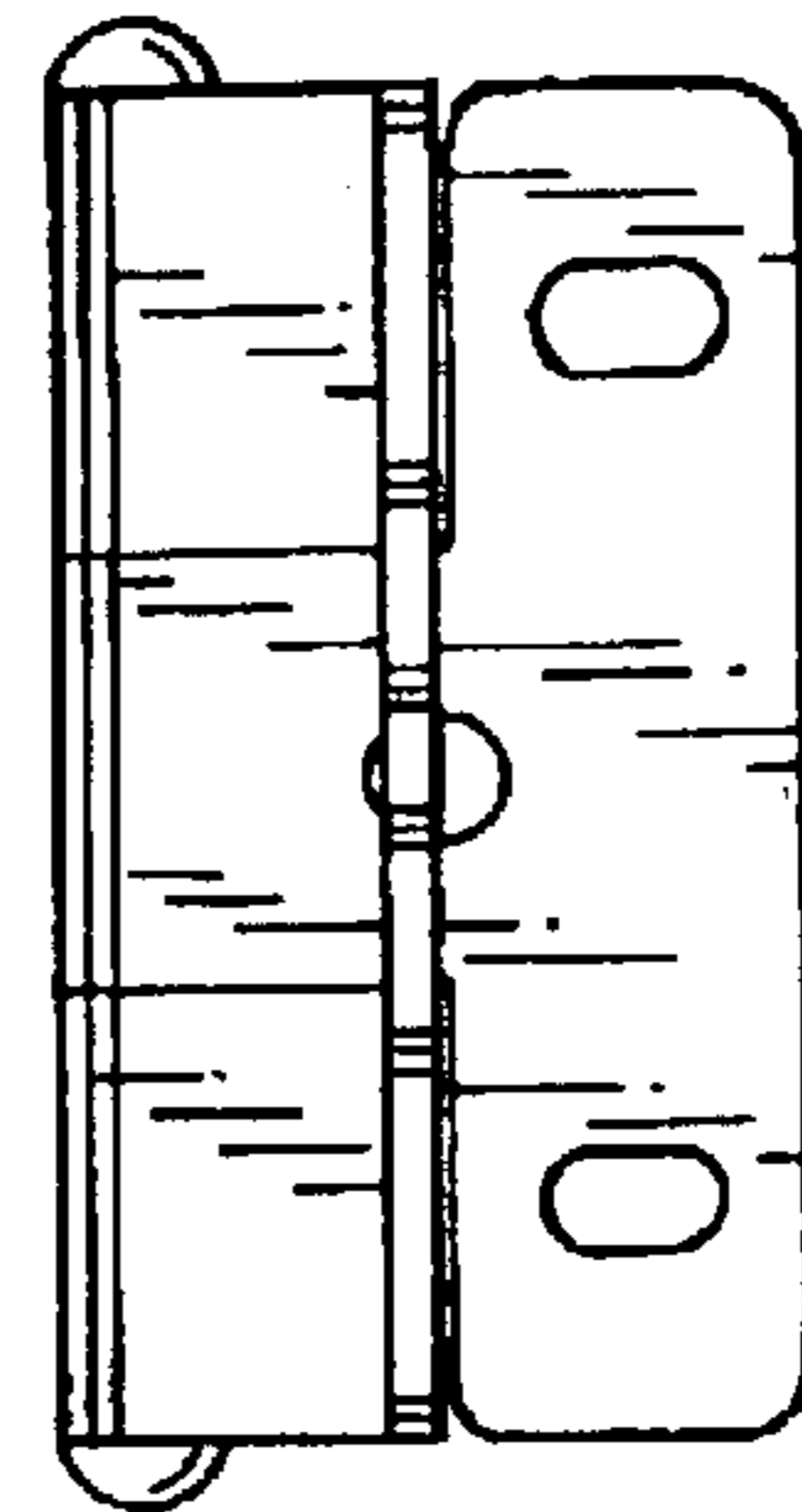


FIG. 4

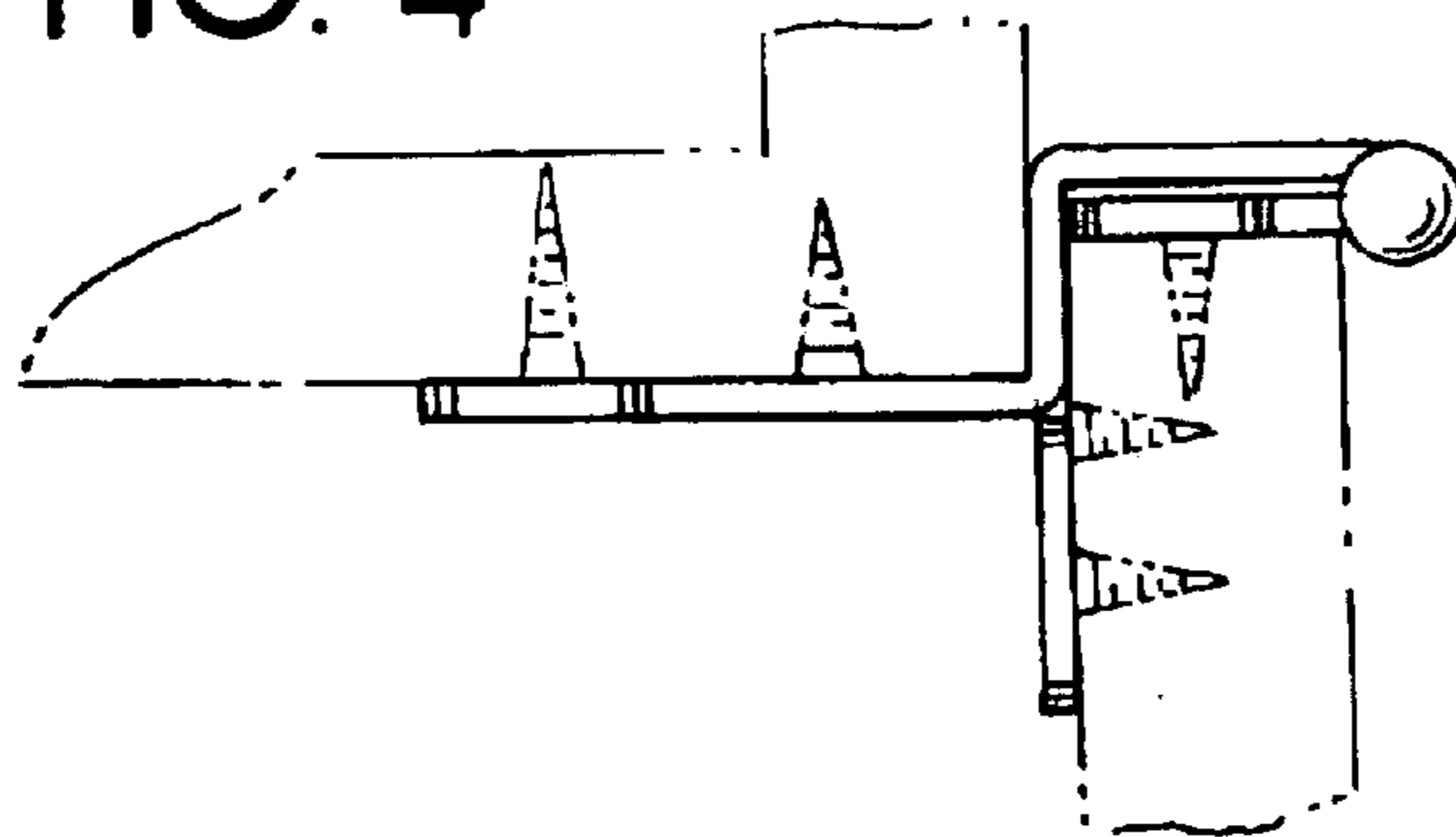


FIG. 5

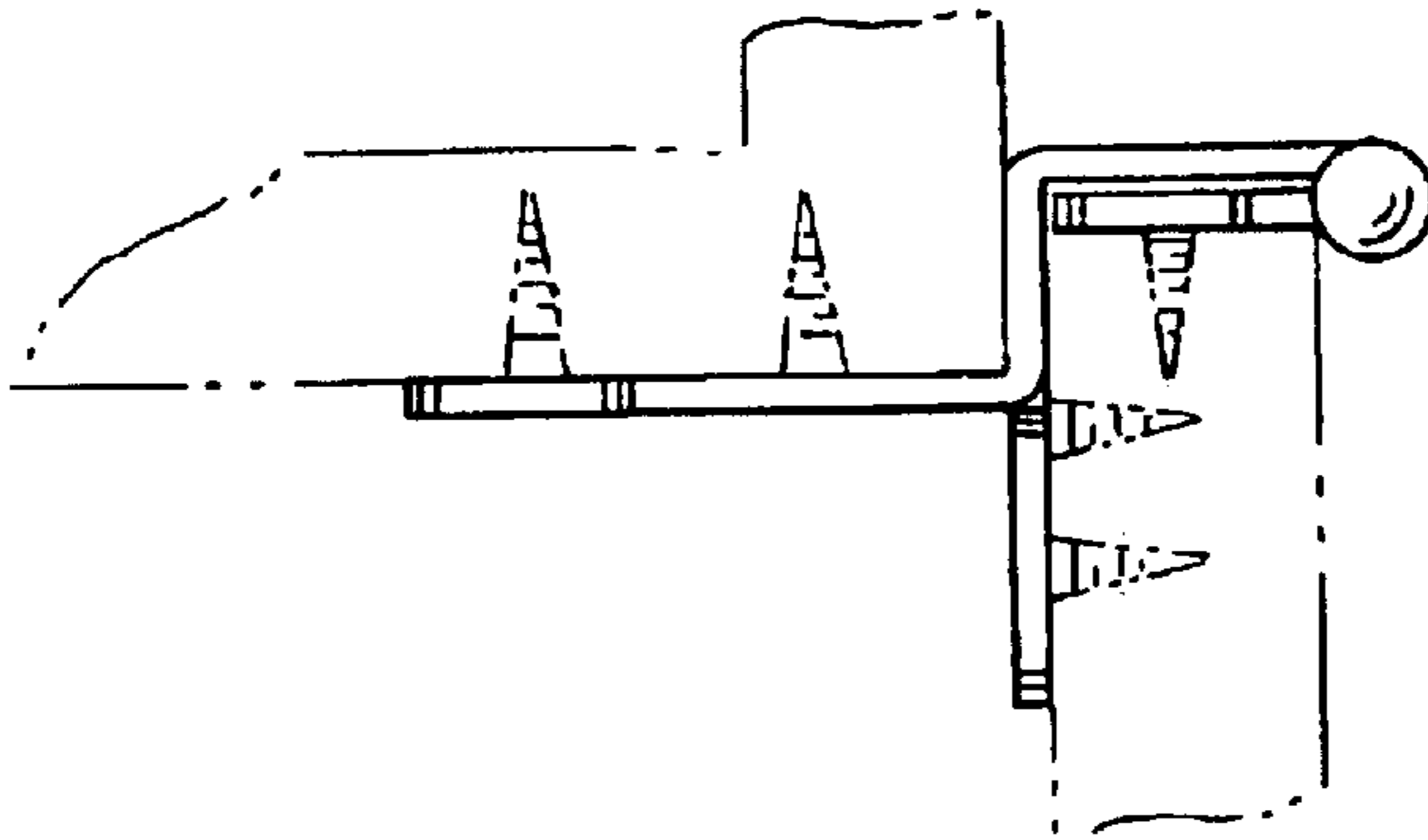


FIG. 6

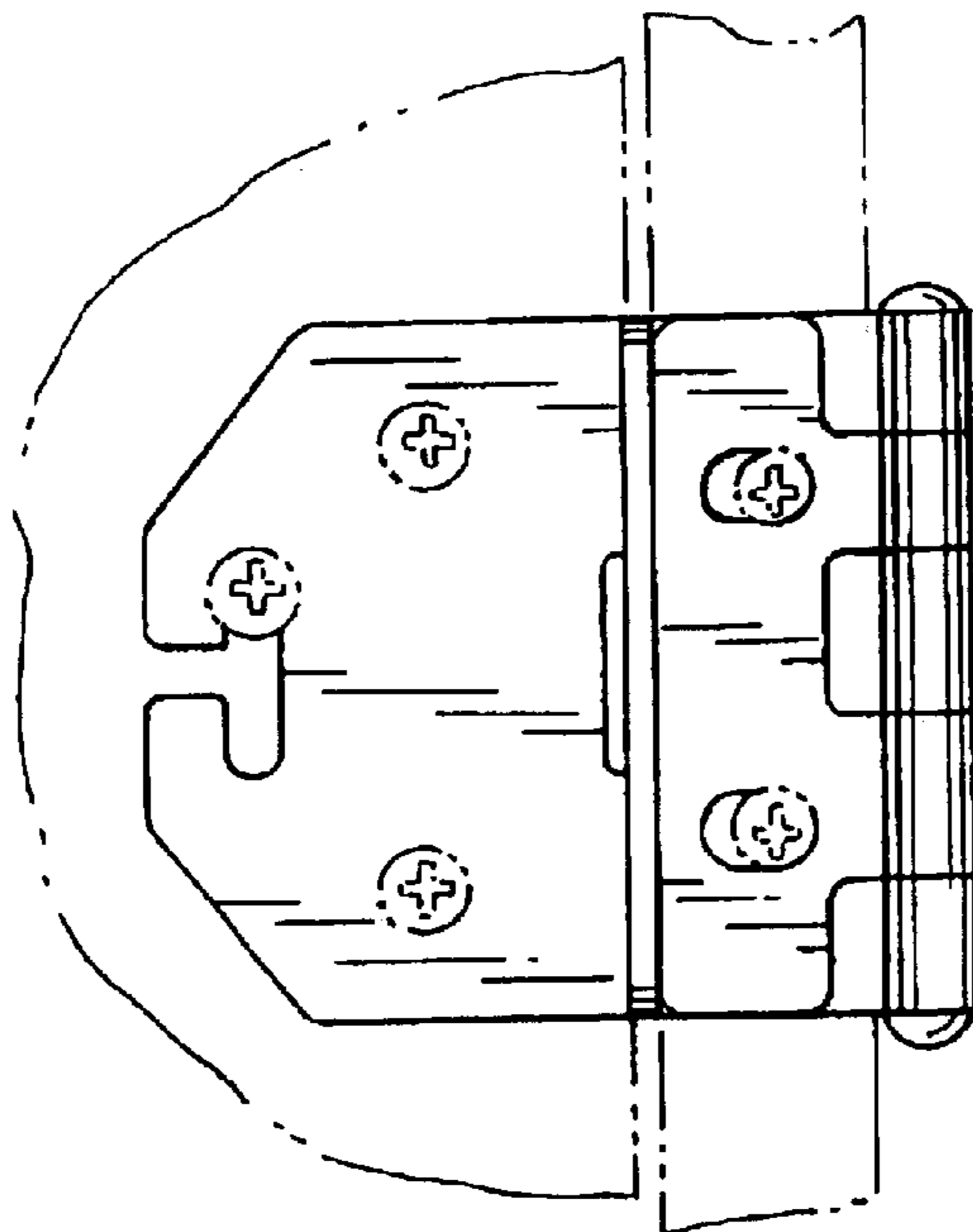
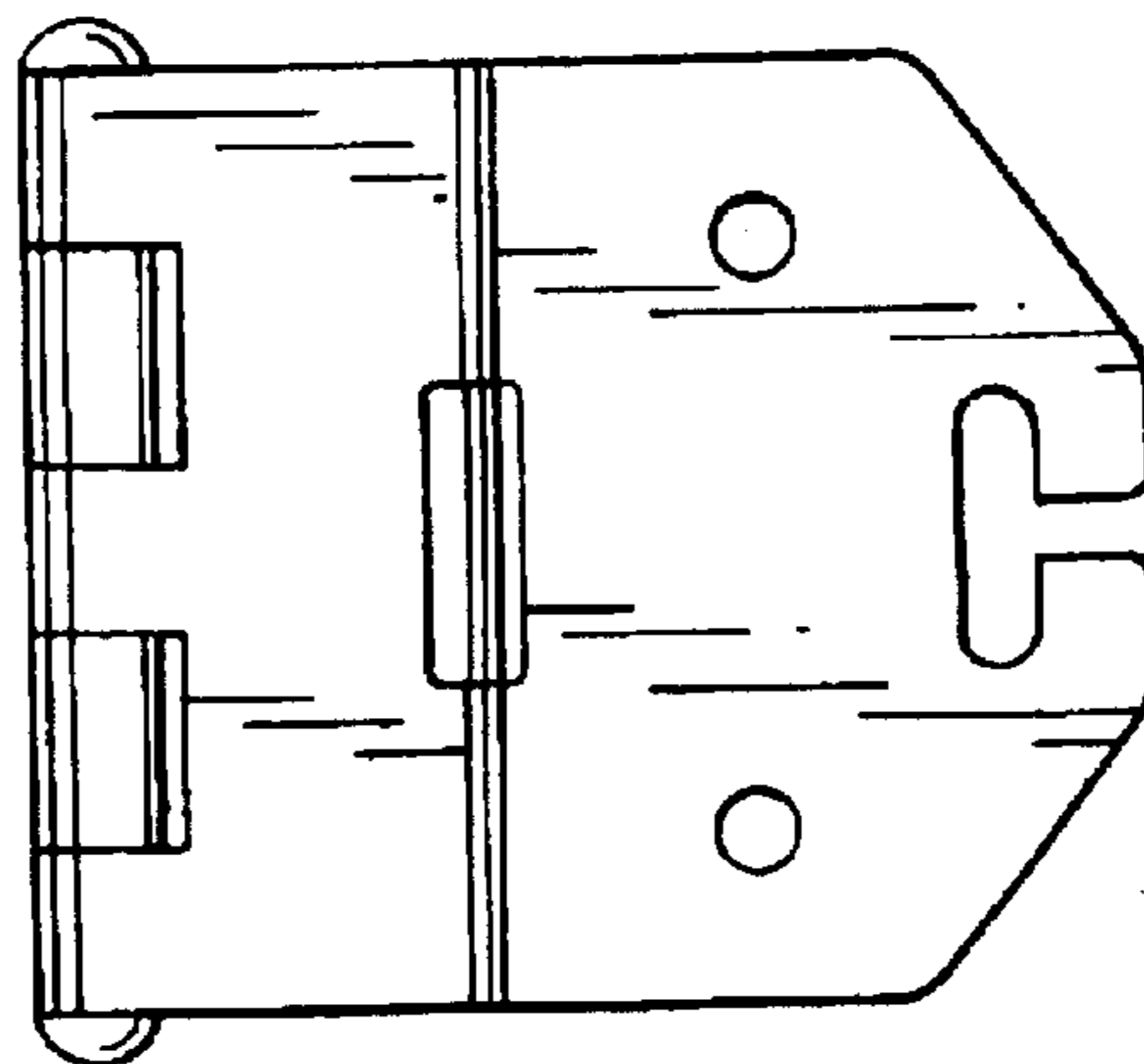


FIG. 7



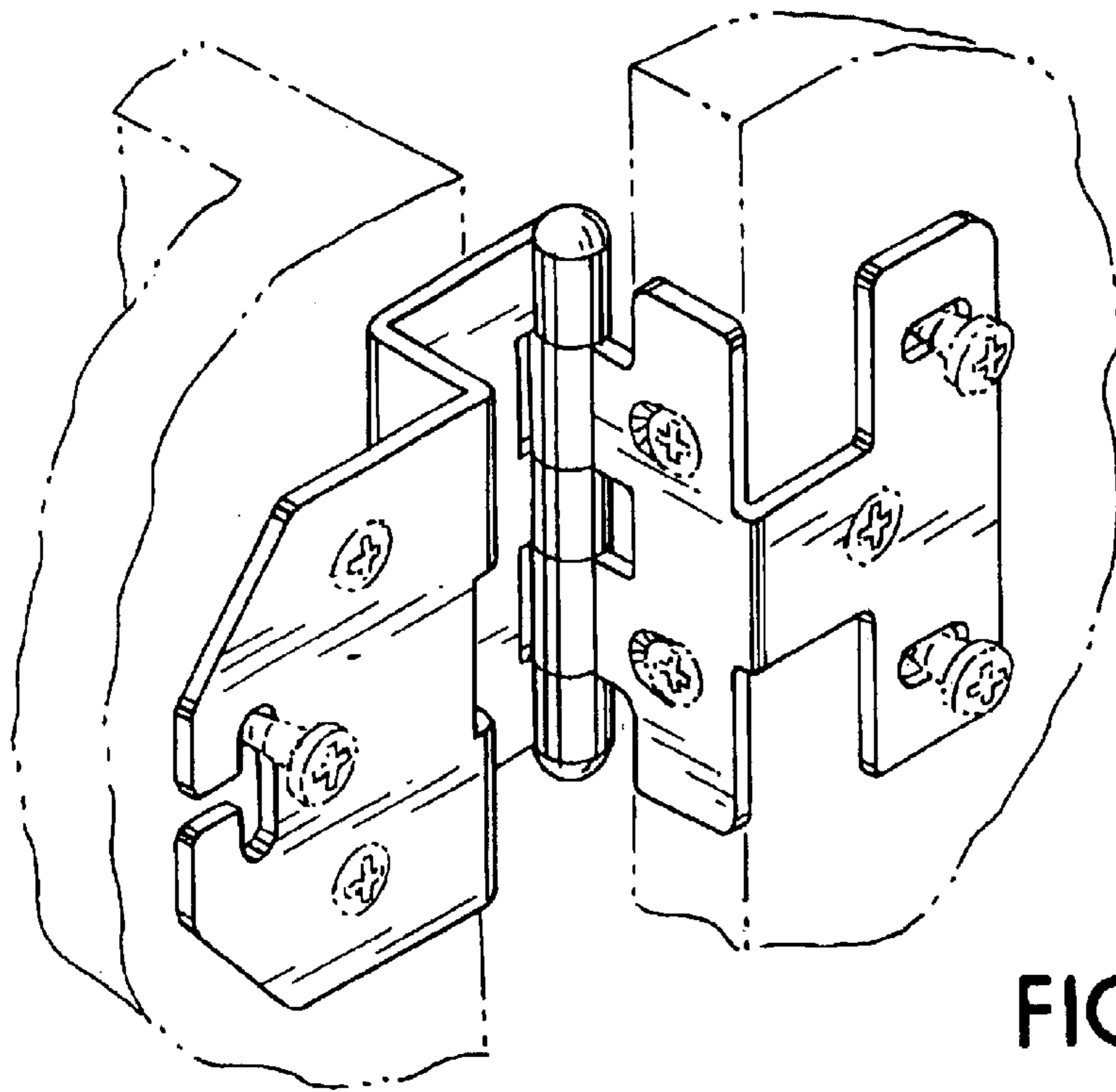


FIG. 8

FIG. 10

FIG. 9

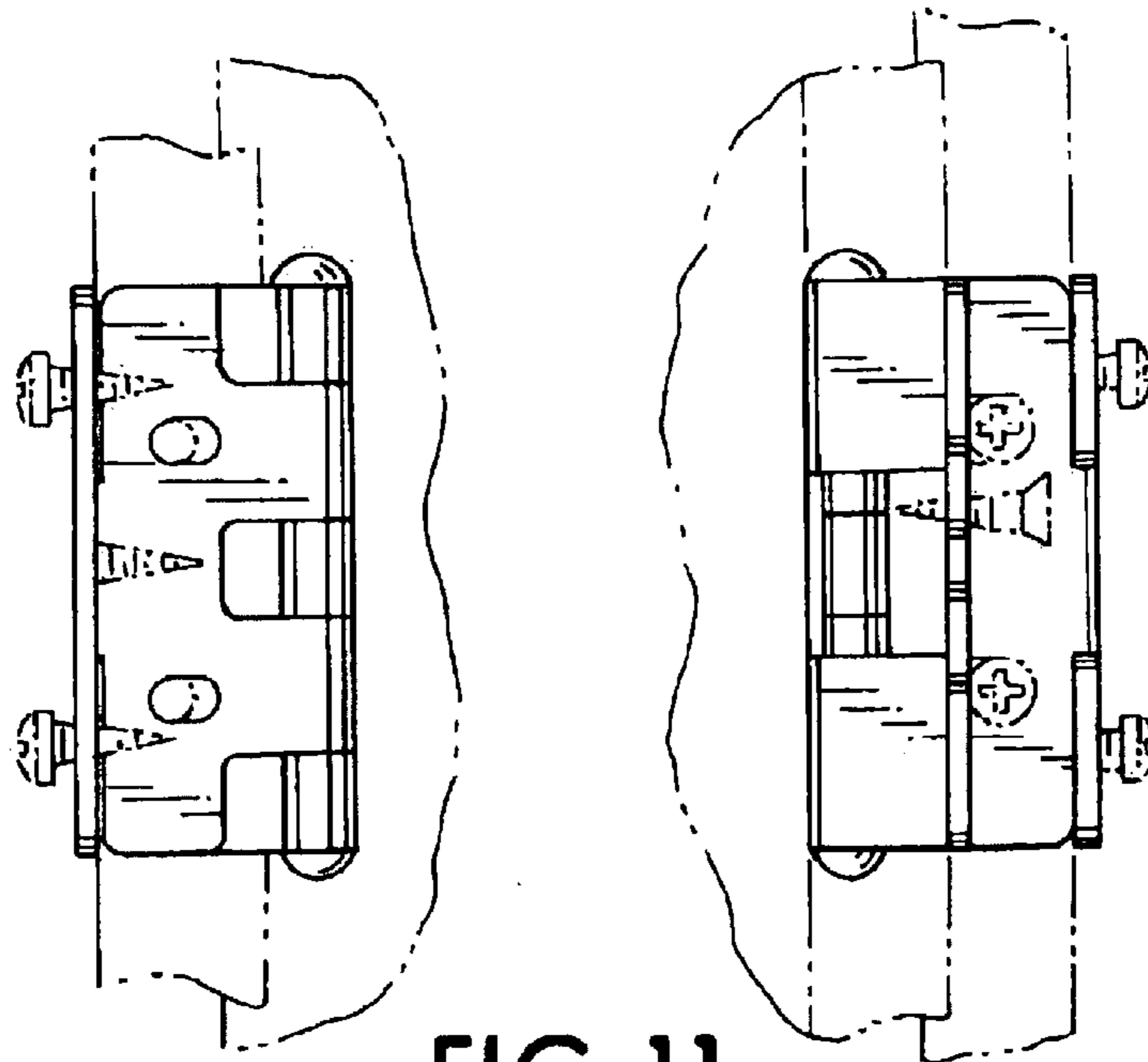


FIG. 11

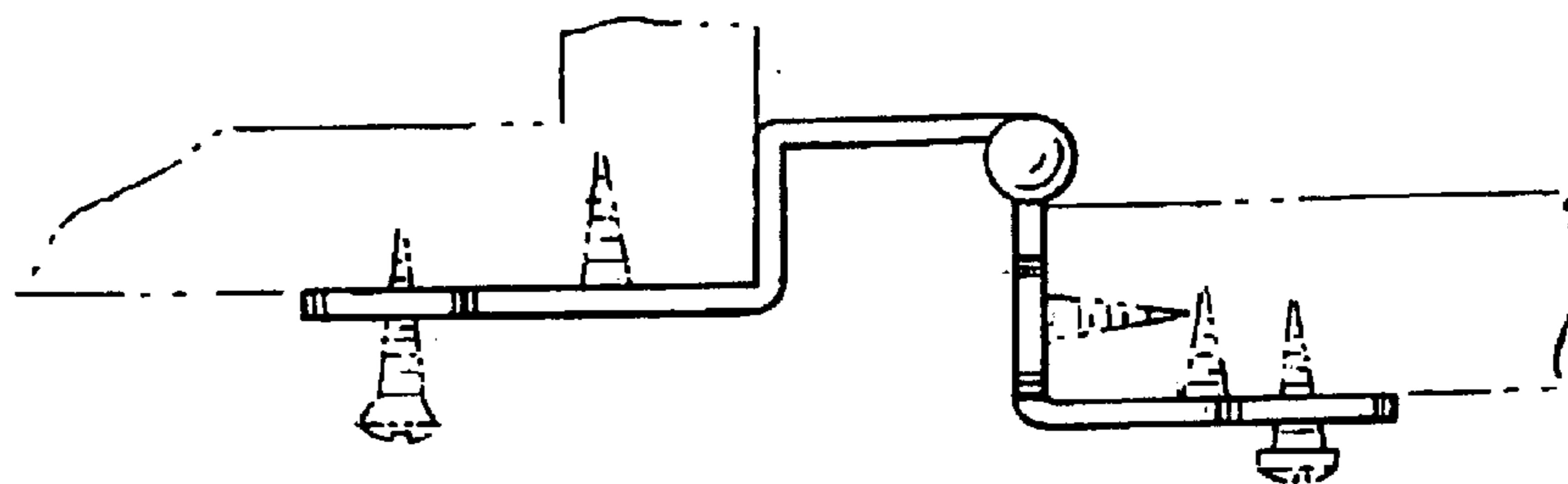


FIG. 12

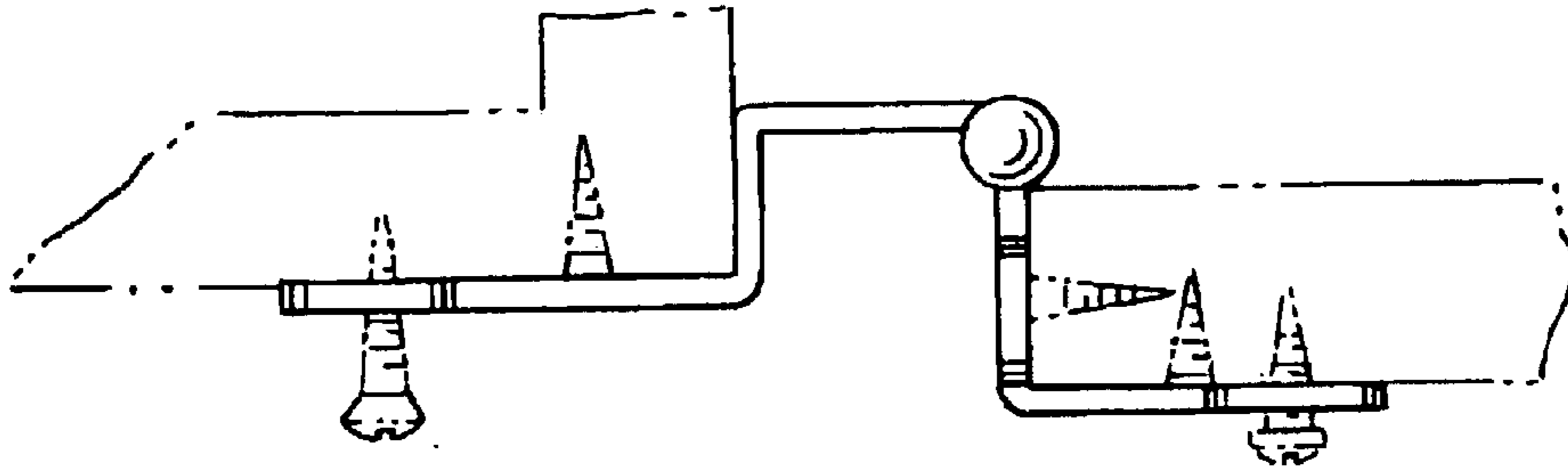


FIG. 13

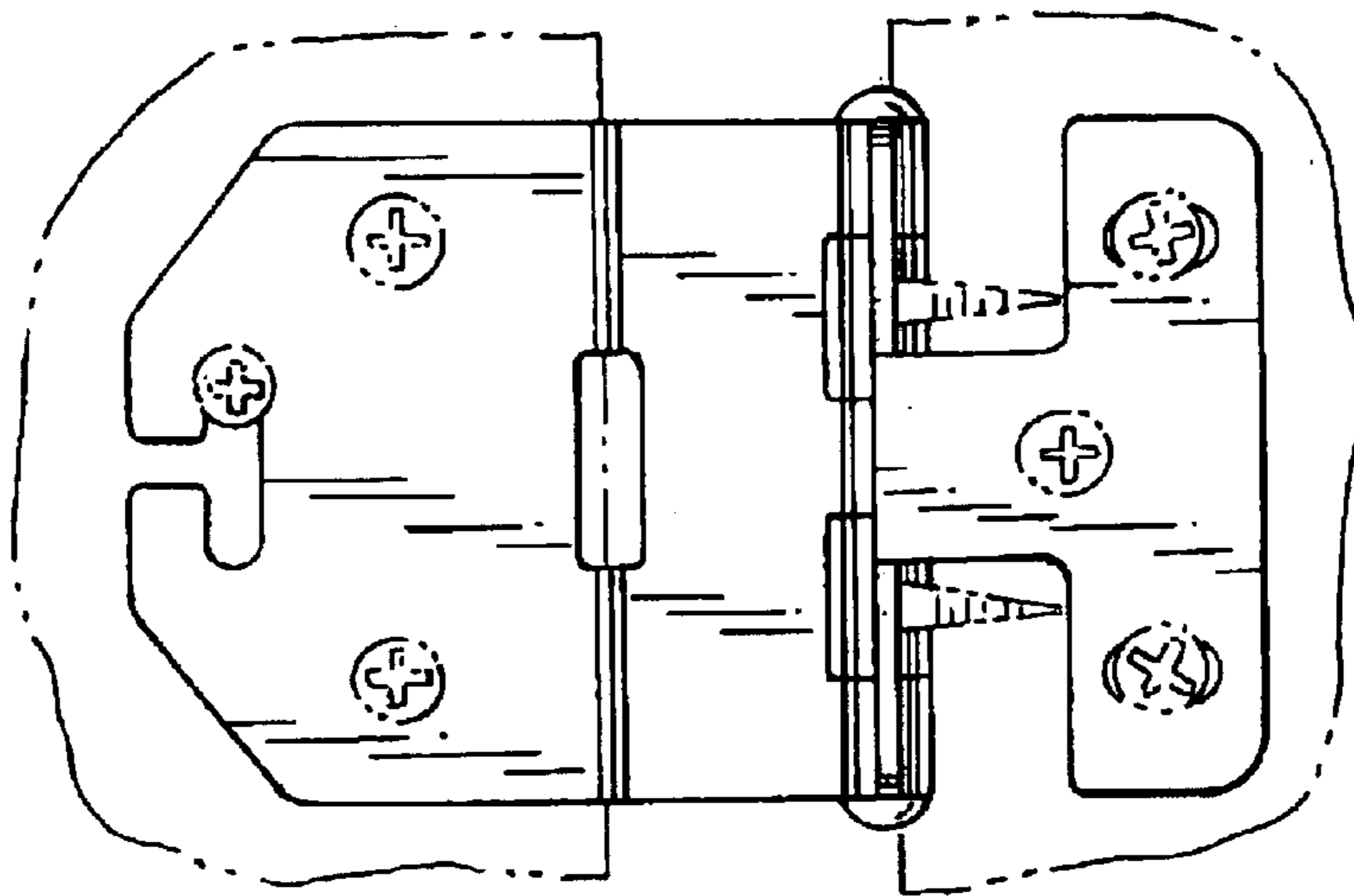


FIG. 14

