

US00D493350S1

(12) **United States Design Patent**  
**Wegman**

(10) **Patent No.:** **US D493,350 S**  
(45) **Date of Patent:** **\*\* Jul. 27, 2004**

(54) **HINGE**

(75) Inventor: **Thomas Wegman**, Effingham, IL (US)

(73) Assignee: **Stevens Industries, Inc.**, Teutopolis, IL (US)

(\*\*) Term: **14 Years**

(21) Appl. No.: **29/165,920**

(22) Filed: **Aug. 20, 2002**

(51) **LOC (7) Cl.** ..... **08-06**

(52) **U.S. Cl.** ..... **D8/323**

(58) **Field of Search** ..... D8/323-329; 16/50,  
16/221, DIG. 29, 286, 234, 387, 390-392,  
385, 386

(56) **References Cited**

**U.S. PATENT DOCUMENTS**

2,624,067 A \* 1/1953 Tassell ..... 16/DIG. 29

(List continued on next page.)

*Primary Examiner*—Louis S. Zarfes

*Assistant Examiner*—Deanne Levy

(74) *Attorney, Agent, or Firm*—Olson & Hierl, Ltd.

(57) **CLAIM**

The ornamental design for a hinge, as shown and described.

**DESCRIPTION**

FIG. 1 is an environmental perspective view of the inventive design for a hinge showing the hinge in a closed configuration, with illustrative associated screws, and portions of an illustrative connected cabinet and portions of an illustrative connected cabinet door being illustrated in phantom;

FIG. 2 is an elevational view of the right side of the FIG. 1 design with portions of the illustrative associated screws and the portions of the illustrative connected cabinet and of the illustrative connected cabinet door being shown in phantom;

FIG. 3 is an elevational view of the left side of the FIG. 1 design with the illustrative associated screws and the portions of the illustrative connected cabinet and of the illustrative connected cabinet door being shown in phantom;

FIG. 4 is a top plan view of the FIG. 1 design with the illustrative associated screws, and the portions of the illustrative connected cabinet and of the illustrative connected cabinet door being shown in phantom;

FIG. 5 is a bottom plan view of the FIG. 1 design with the illustrative associated screws and the portions of the illustrative connected cabinet and of the illustrative connected cabinet door being shown in phantom;

FIG. 6 is a front elevational view of the FIG. 1 design with the illustrative associated screws and the portions of the illustrative connected cabinet and of the illustrative connected cabinet door being shown in phantom;

FIG. 7 is a back elevational view of the FIG. 1 design;

FIG. 8 is an elevational perspective view similar to FIG. 1, but showing the hinge design in an open configuration, with the illustrative associated screws and the portions of the illustrative connected cabinet and of the illustrative connected cabinet door being shown in phantom;

FIG. 9 is an elevational view of the right side of the design shown in FIG. 8 with the illustrative associated screws and the portions of the illustrative connected cabinet and the illustrative connected cabinet door being shown in phantom;

FIG. 10 is an elevational view of the left side of the design shown in FIG. 8 with the illustrative associated screws and the portions of the illustrative connected cabinet and the illustrative connected cabinet door being shown in phantom;

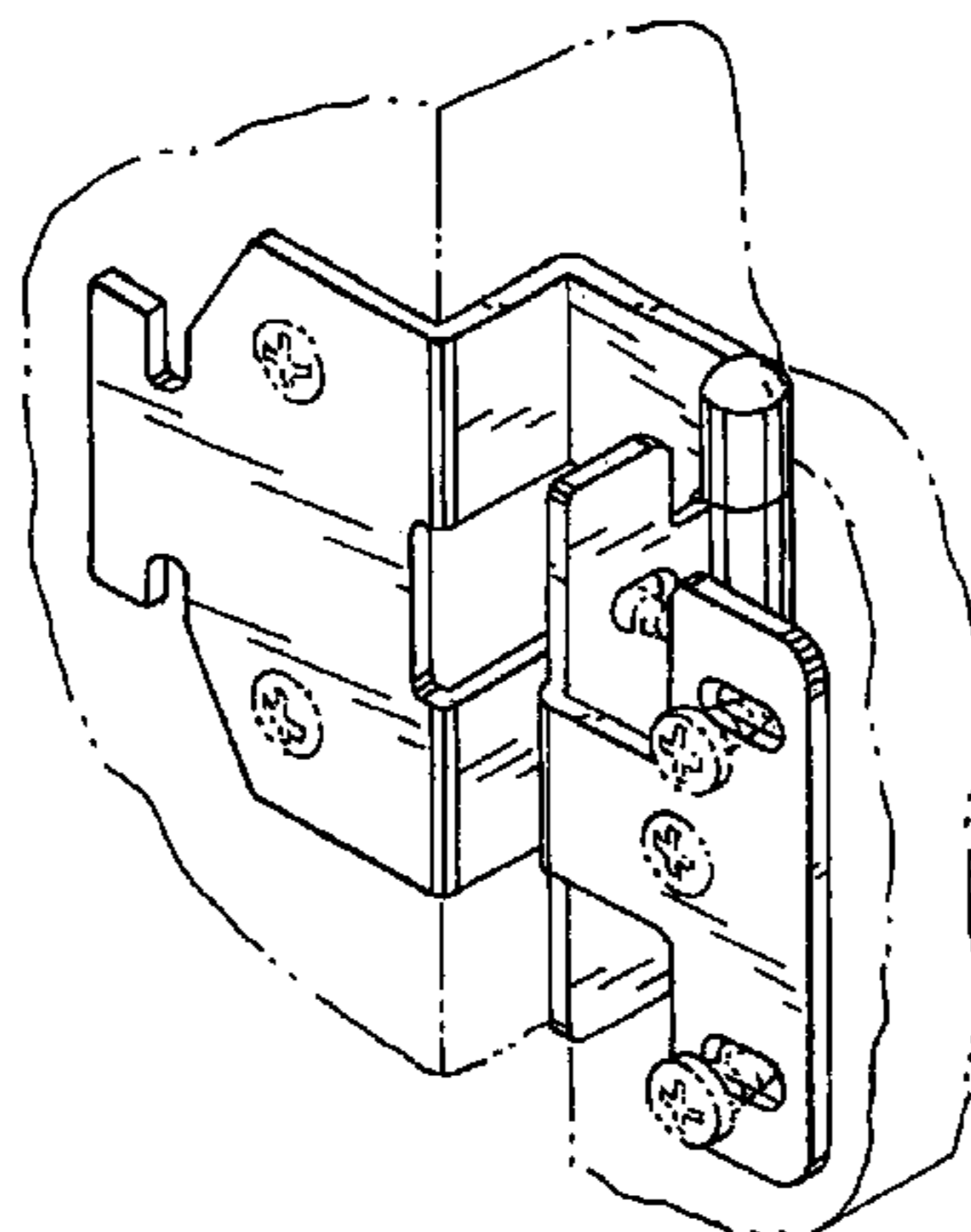
FIG. 11 is a top plan view of the design shown in FIG. 8 with the illustrative associated screws and the portions of the illustrative connected cabinet and the illustrative connected cabinet door being shown in phantom;

FIG. 12 is a bottom plan view of the design shown in FIG. 8 with the illustrative associated screws and the portions of the illustrative connected cabinet and the illustrative connected cabinet door being shown in phantom;

FIG. 13 is a front elevational view of the design shown in FIG. 8 with the illustrative associated screws and the portions of the illustrative connected cabinet and the illustrative connected cabinet door being shown in phantom; and,

FIG. 14 is a back elevational view of the design shown in FIG. 8.

**1 Claim, 4 Drawing Sheets**



# US D493,350 S

Page 2

---

## U.S. PATENT DOCUMENTS

2,808,610 A	10/1957	Minor				
3,439,377 A	*	4/1969	Bucholz .....	D8/328		
3,577,584 A		5/1971	Himmelreich			
3,591,247 A		7/1971	Berry et al.			
					3,710,416 A	1/1973 Phelps
					5,067,200 A	11/1991 Stowell et al.
					5,144,721 A	* 9/1992 Schade .....
					5,355,559 A	10/1994 Bowers et al.

\* cited by examiner

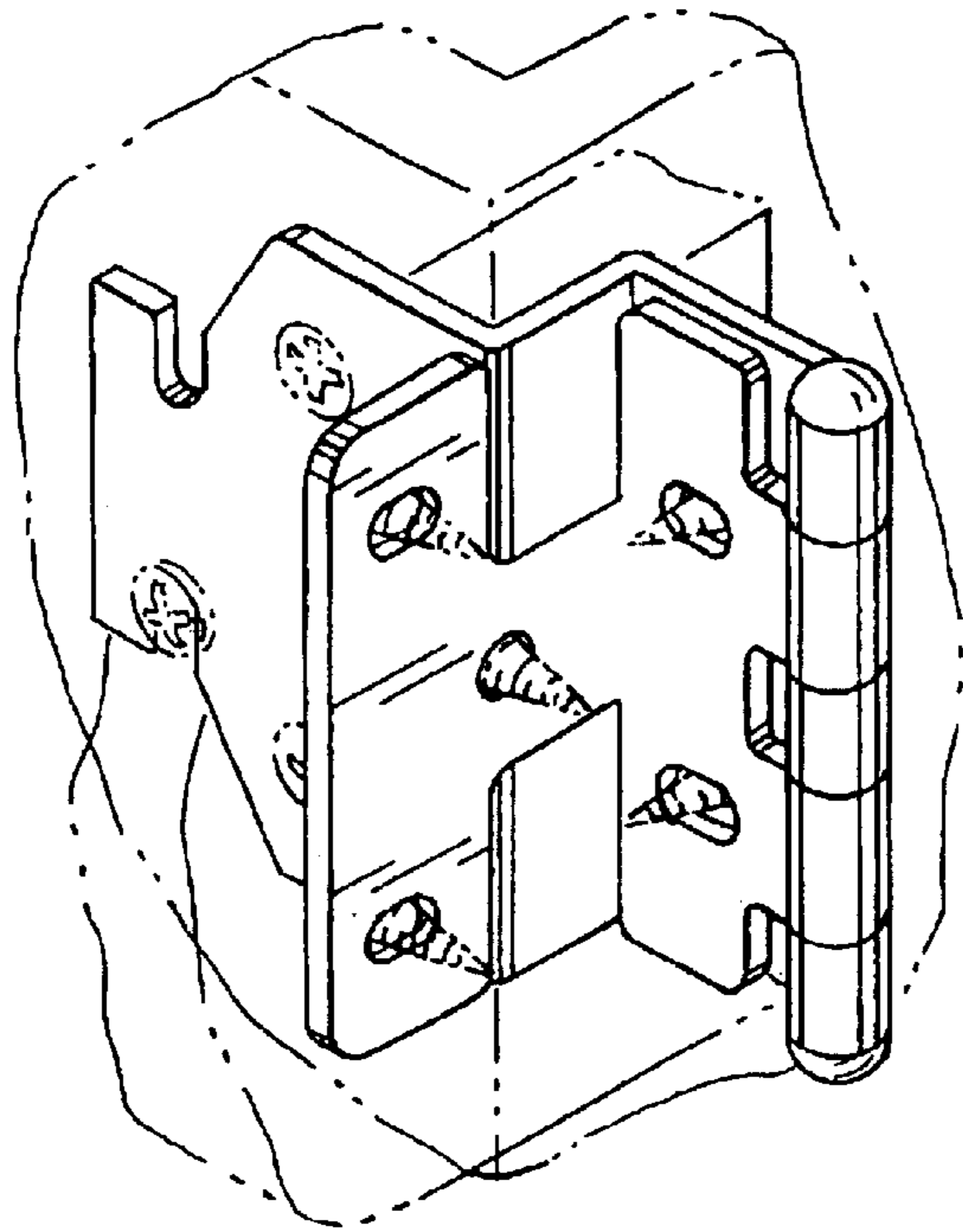


FIG. 1

FIG. 2

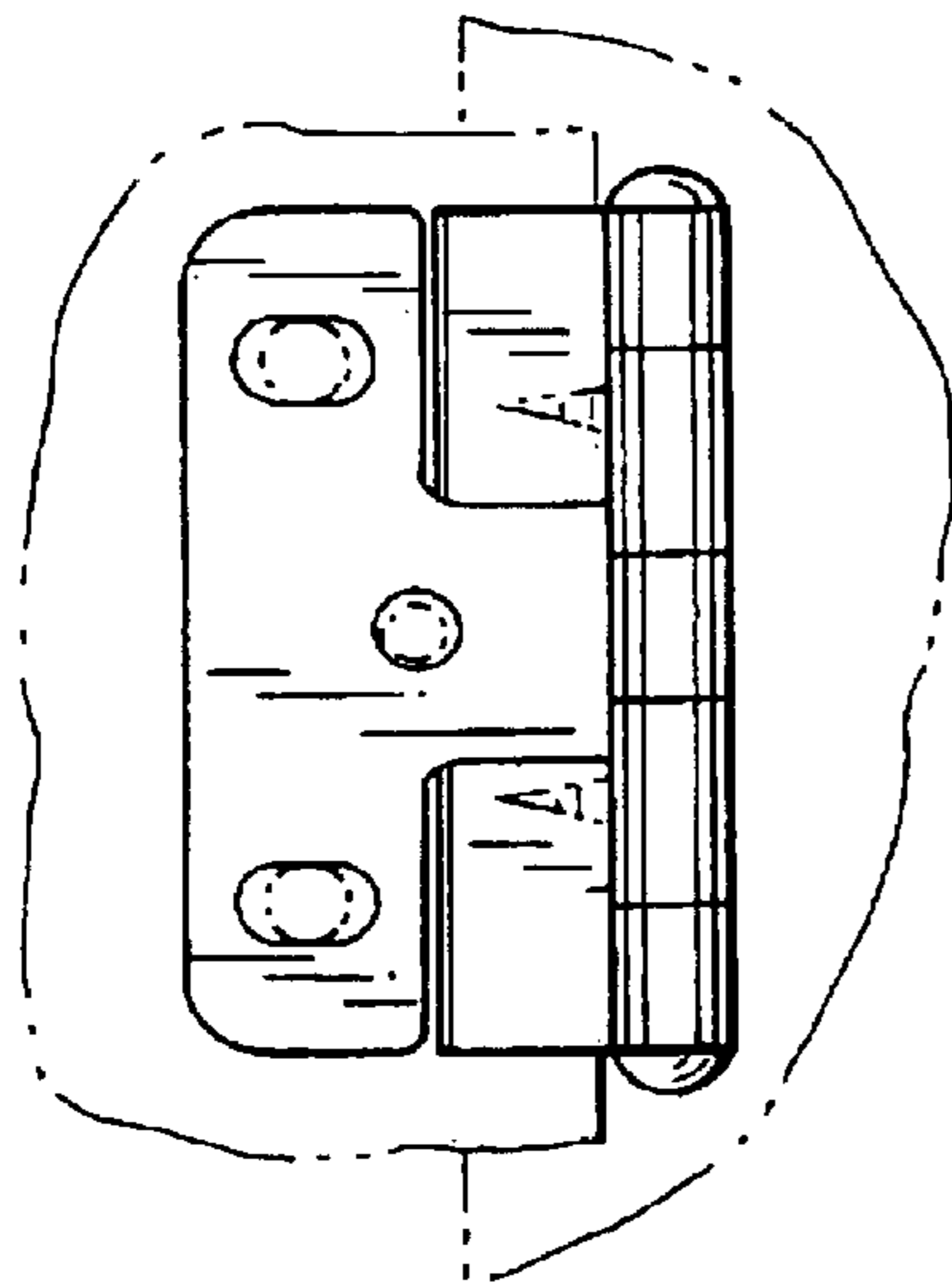


FIG. 3

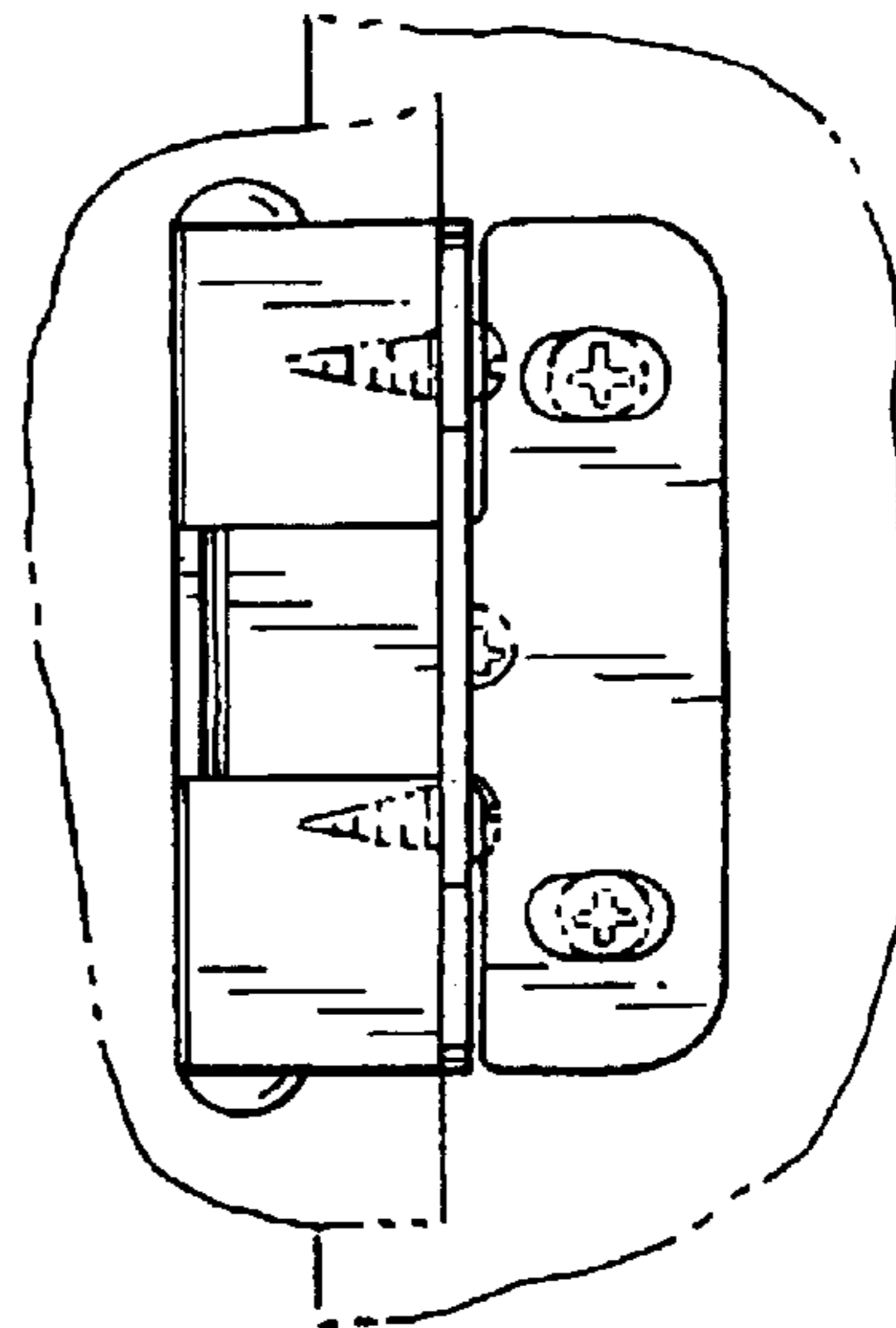


FIG. 4

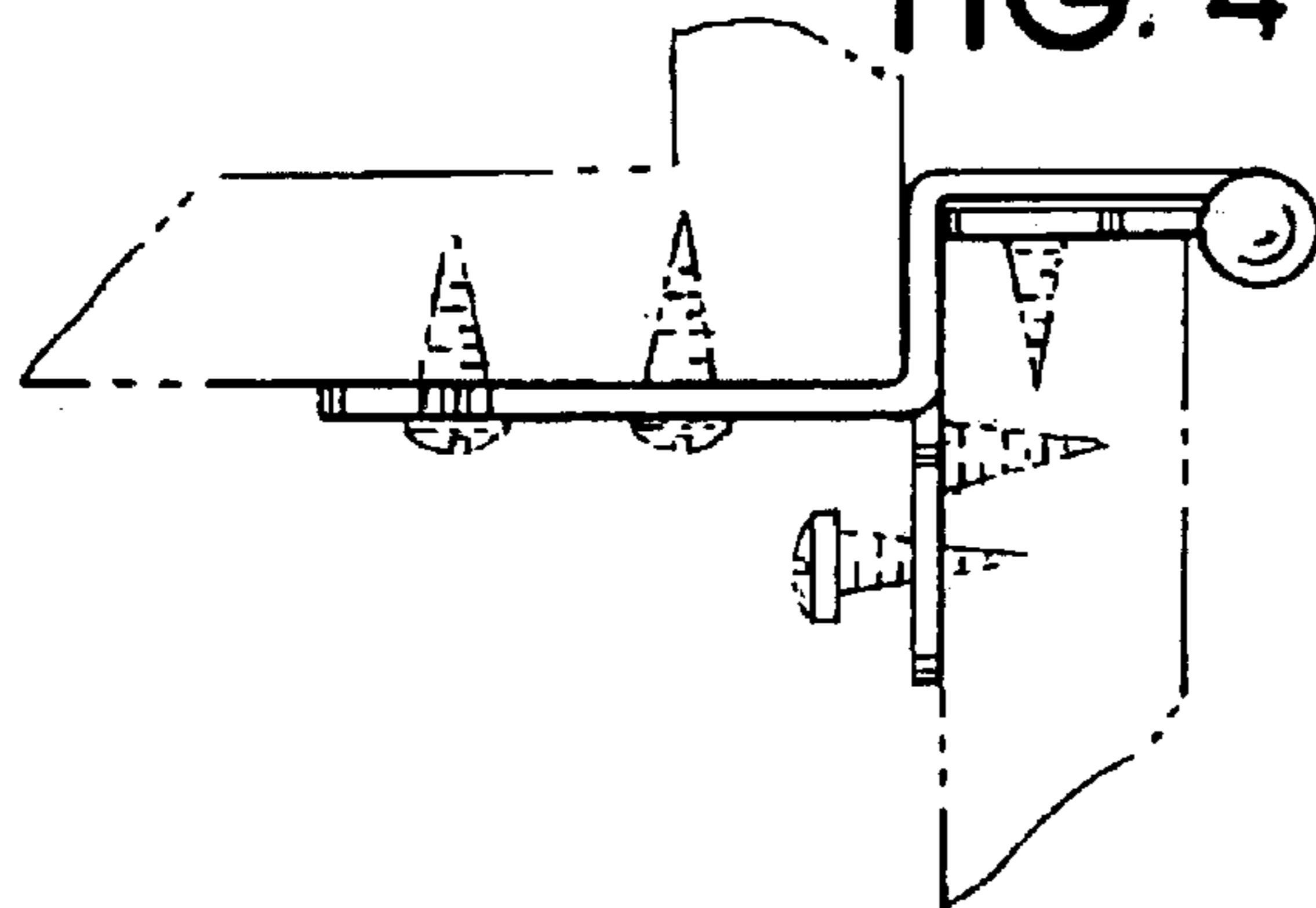


FIG. 5

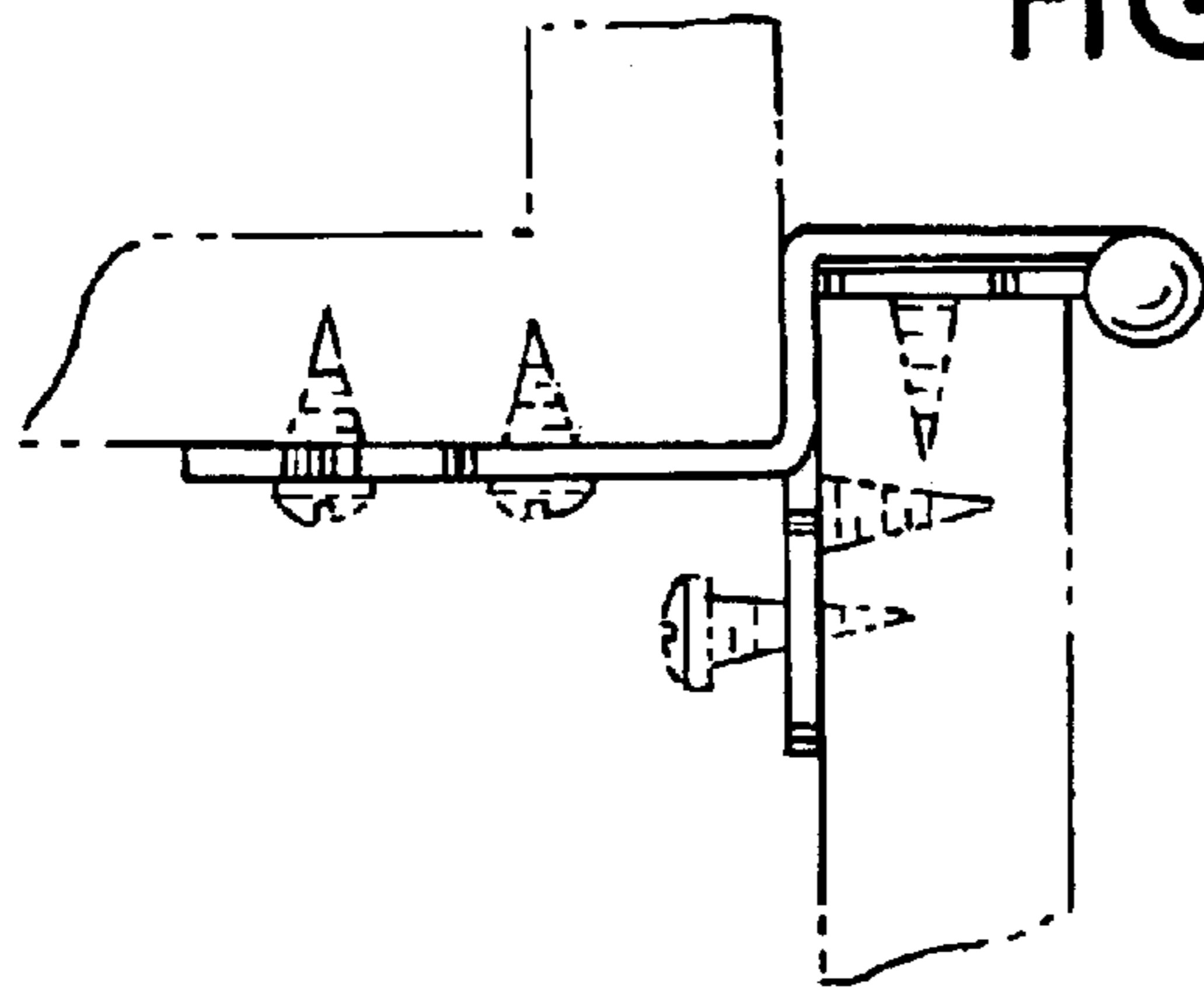


FIG. 6

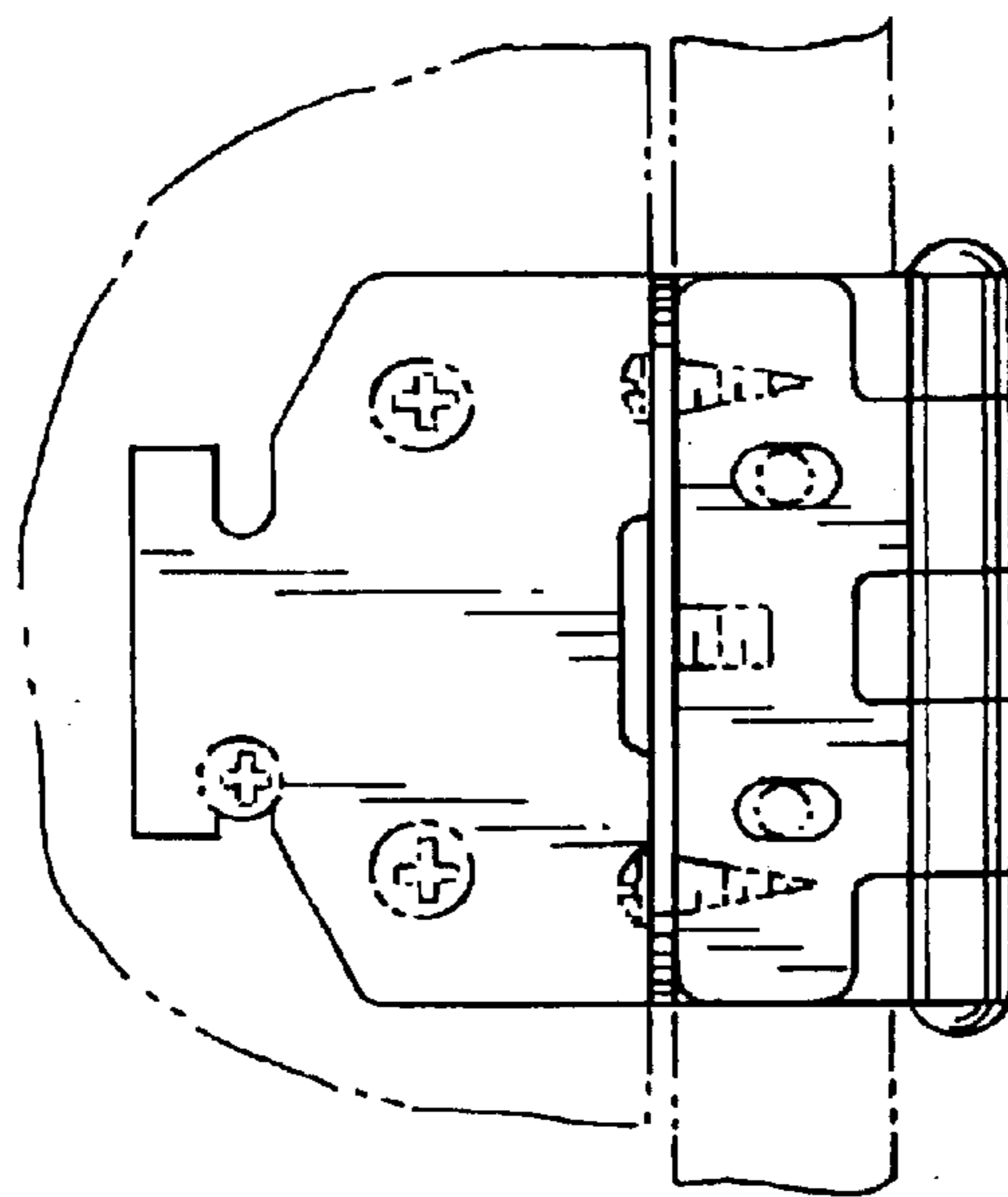
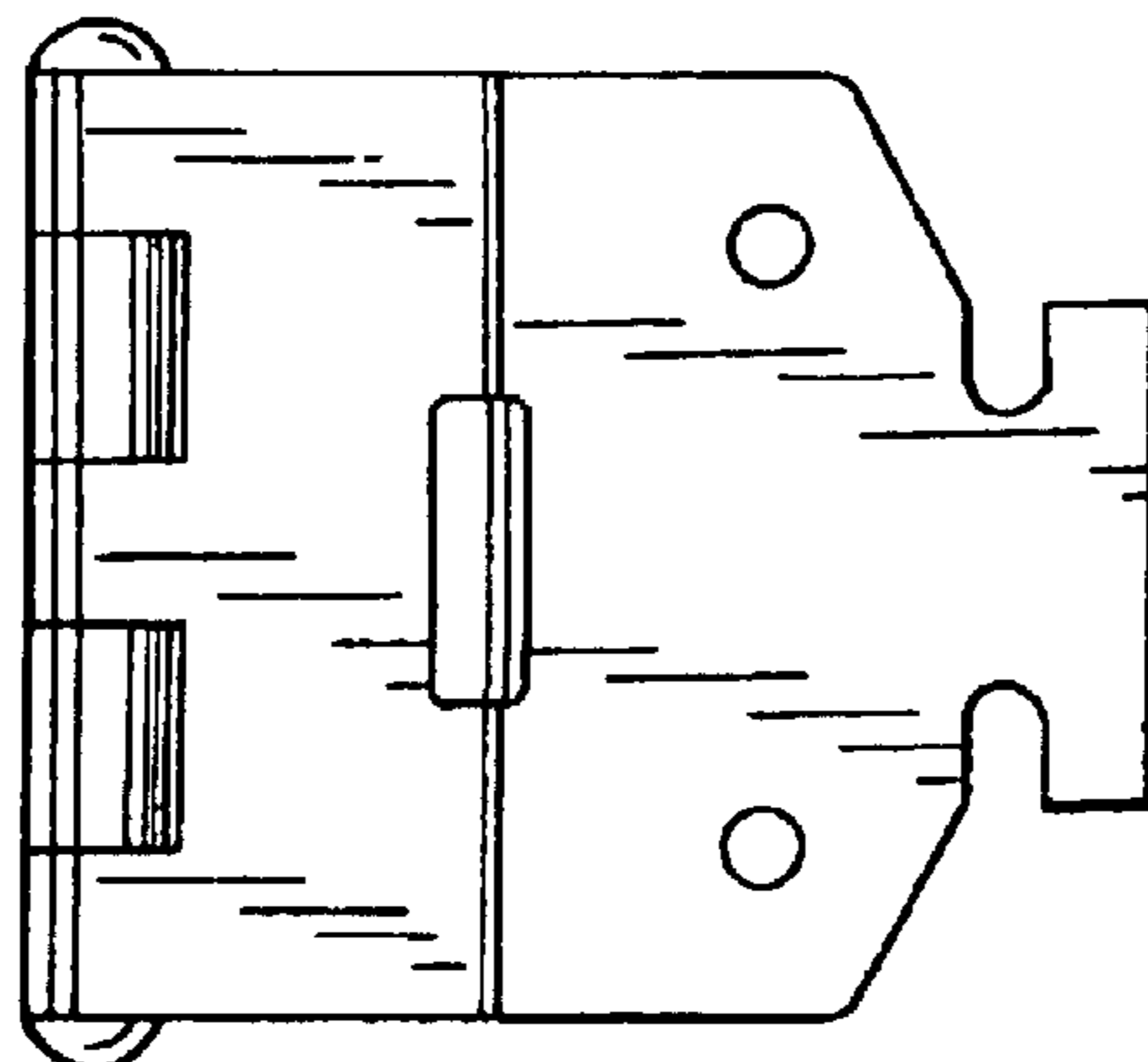


FIG. 7



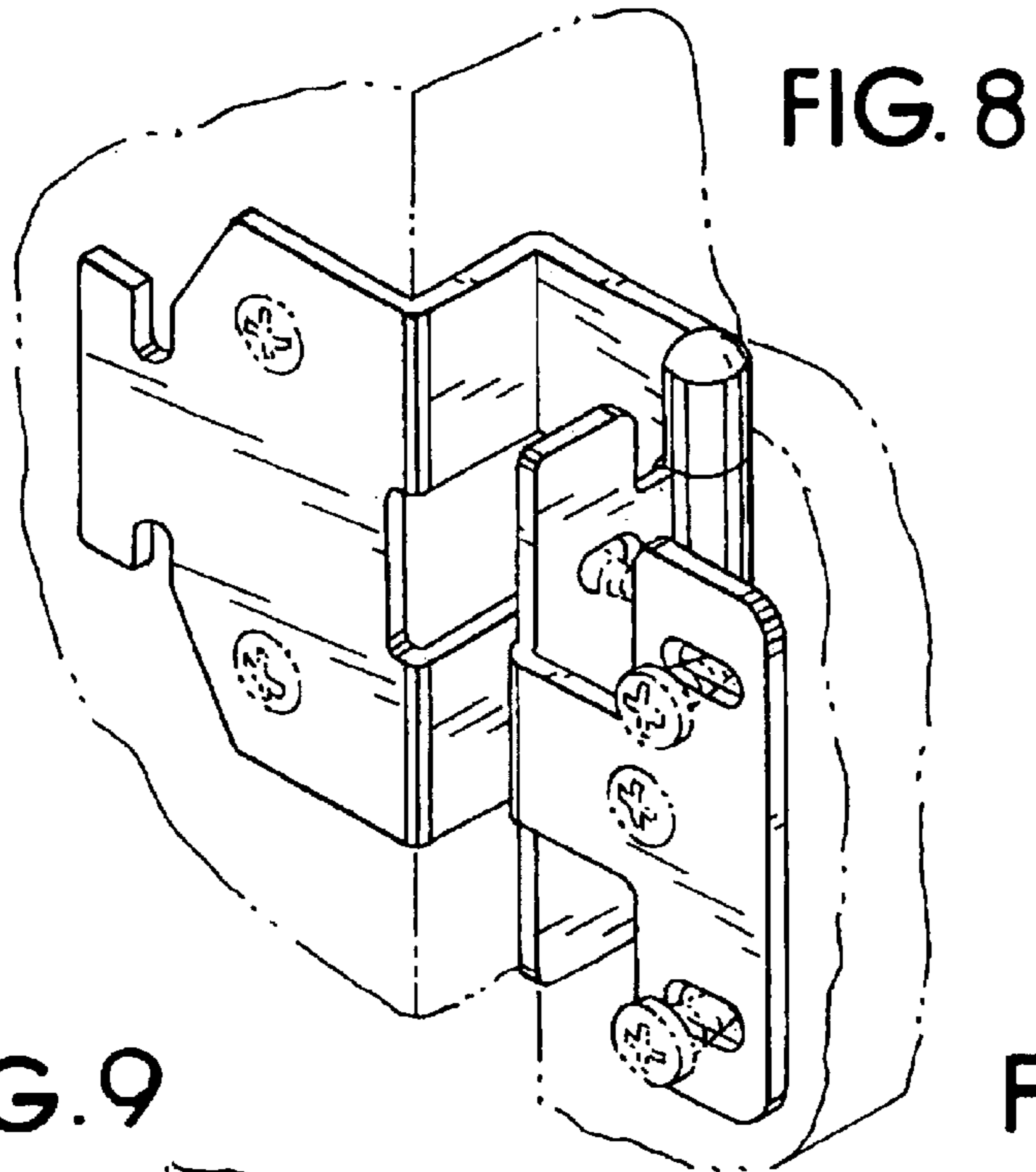


FIG. 9

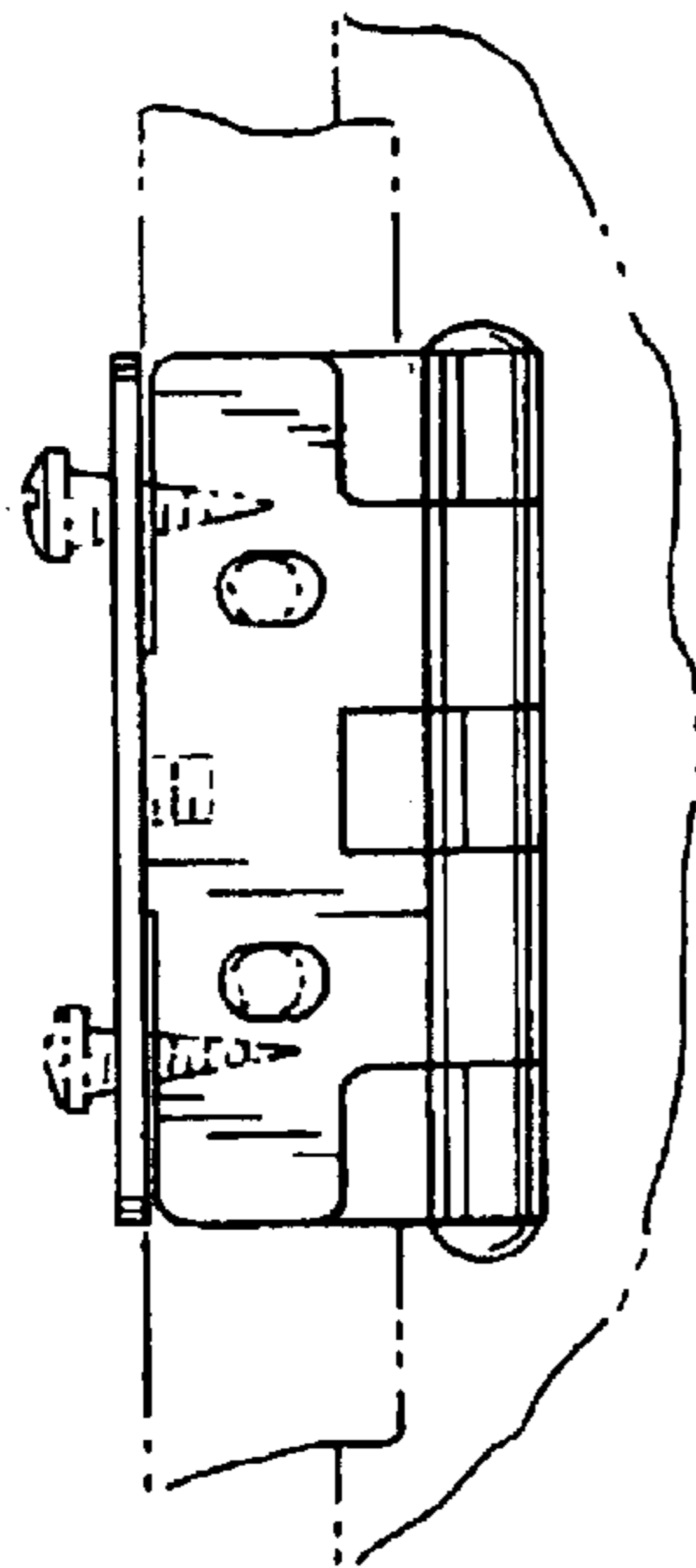


FIG. 10

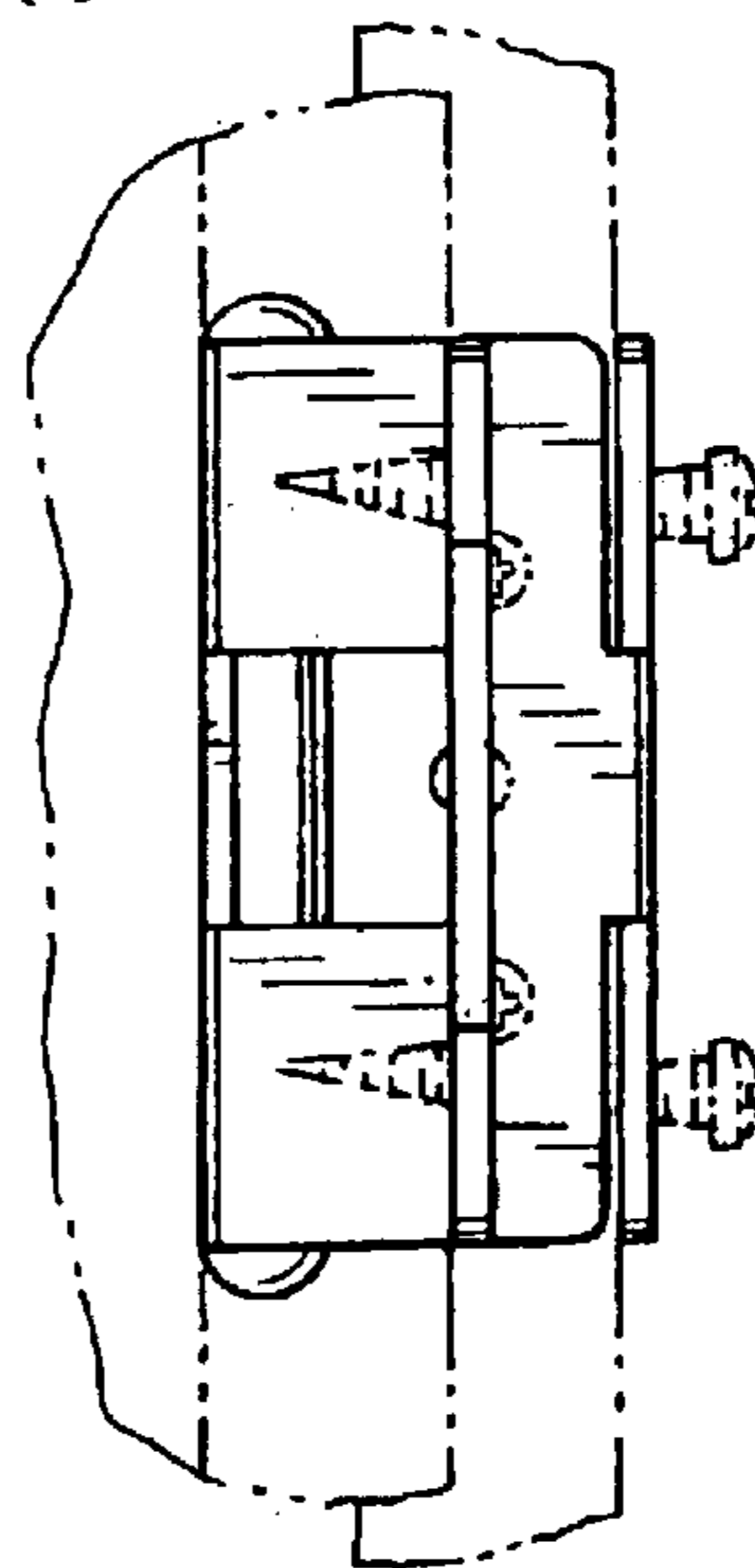


FIG. 11

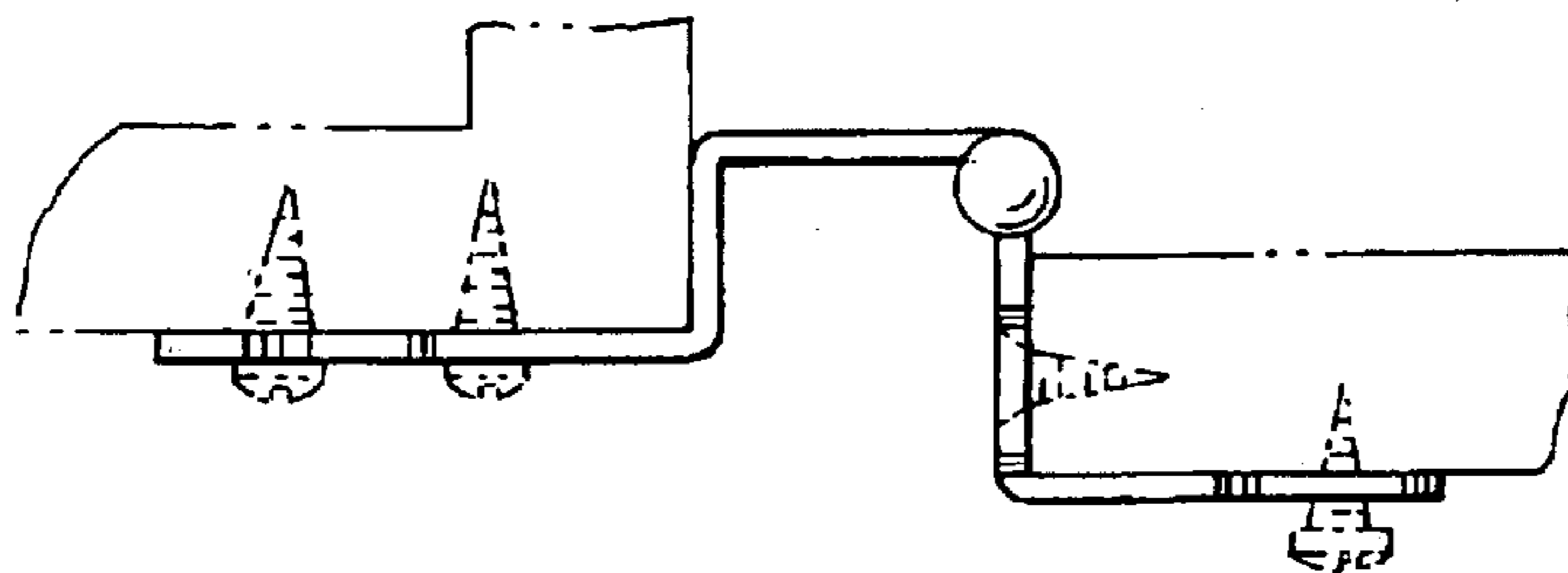


FIG. 12

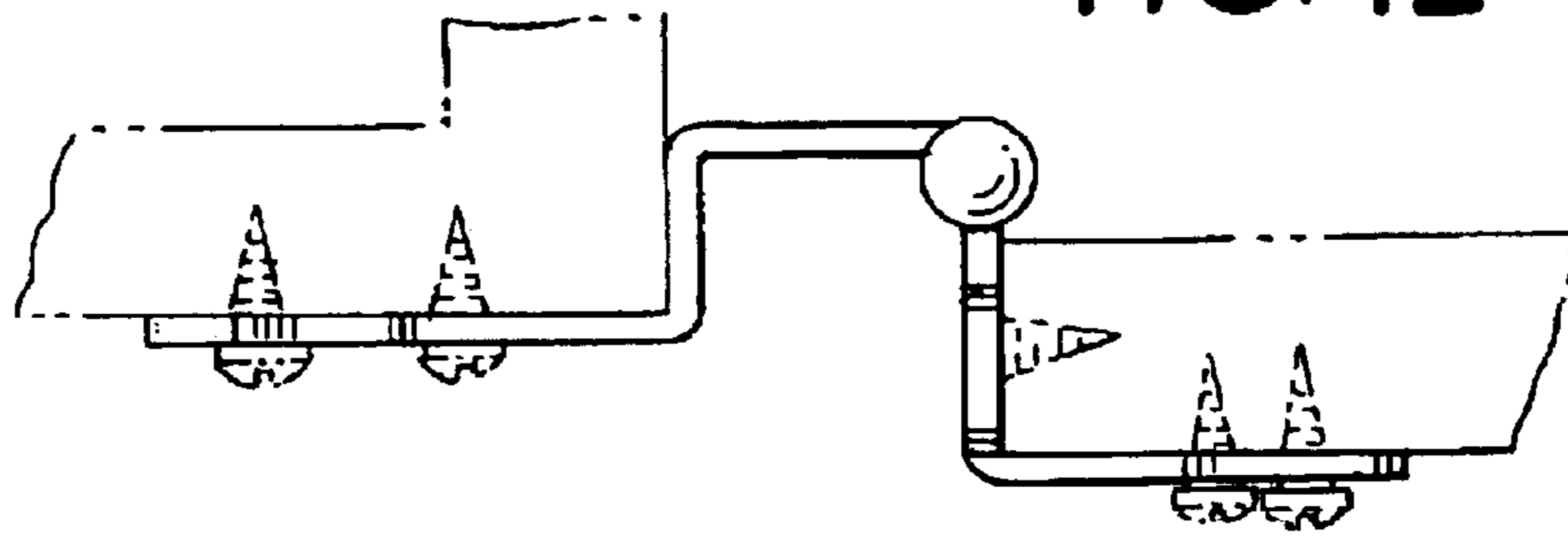


FIG. 13

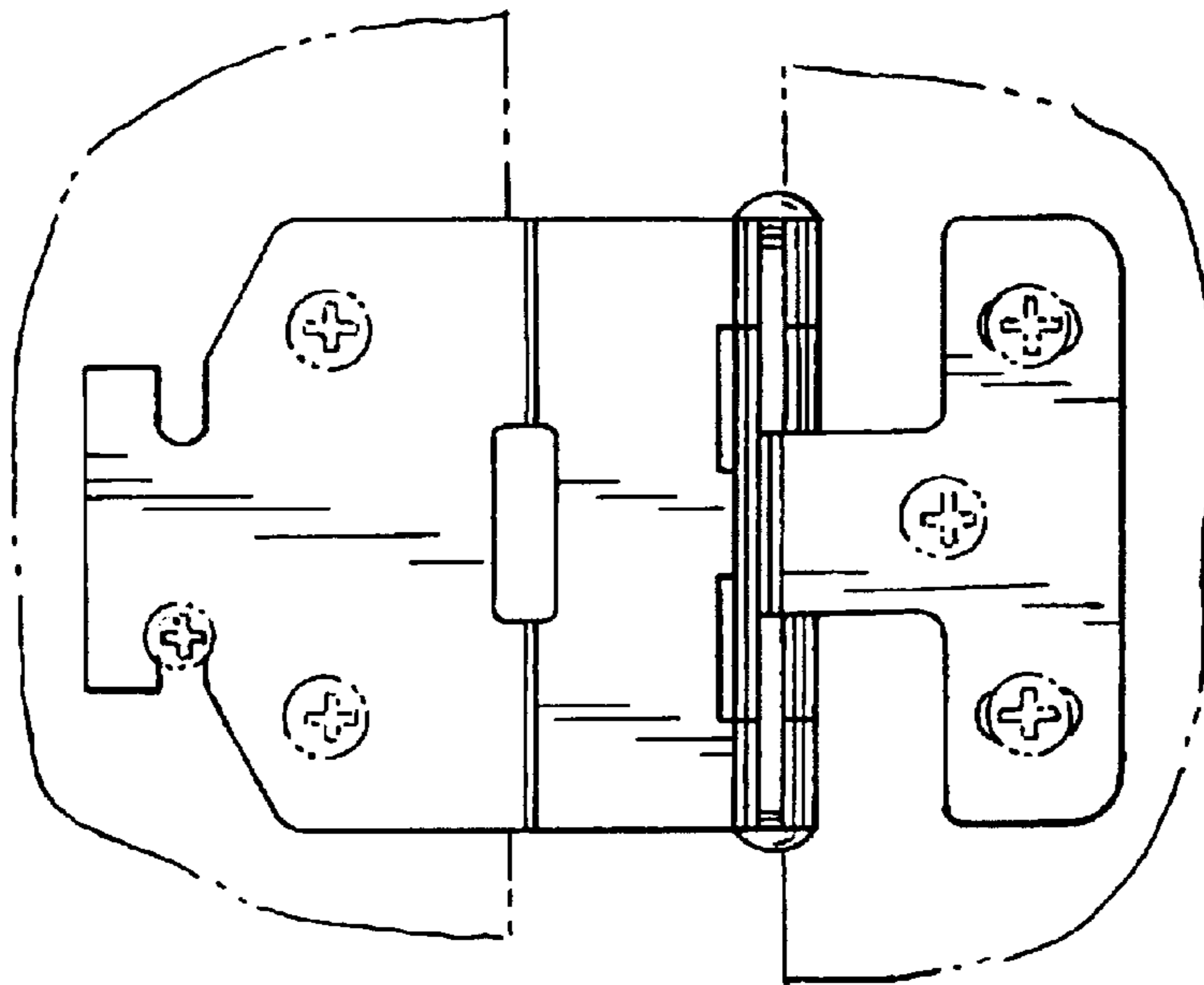


FIG. 14

