

US00D493348S1

(12) **United States Design Patent**  
**Bertani**

(10) **Patent No.:** **US D493,348 S**  
(45) **Date of Patent:** **\*\* Jul. 27, 2004**

(54) **THREE-ARM HANDWHEEL WITH THREE HANDLES**

D464,864 S 10/2002 Bertani

**FOREIGN PATENT DOCUMENTS**

(75) Inventor: **Alberto Bertani**, Milan (IT)

WO DM/029 270 4/1994

(73) Assignee: **Elesa S.p.A.**, Milan (IT)

**OTHER PUBLICATIONS**

(\*\*) Term: **14 Years**

Kipp/Elesa, Elesa Handwheels, Oct. 29, 1974.

(21) Appl. No.: **29/176,789**

\* cited by examiner

(22) Filed: **Feb. 27, 2003**

*Primary Examiner*—Nanda Bondade

(51) **LOC (7) Cl.** ..... **08-06**

(74) *Attorney, Agent, or Firm*—Pearne & Gordon LLP

(52) **U.S. Cl.** ..... **D8/300**; D15/142

(58) **Field of Search** ..... D15/142; D8/300,  
D8/307, 309, 352; 74/545, 522, 523, 557

(57) **CLAIM**

The ornamental design for a three arm handwheel with three handles, as shown and described.

(56) **References Cited**

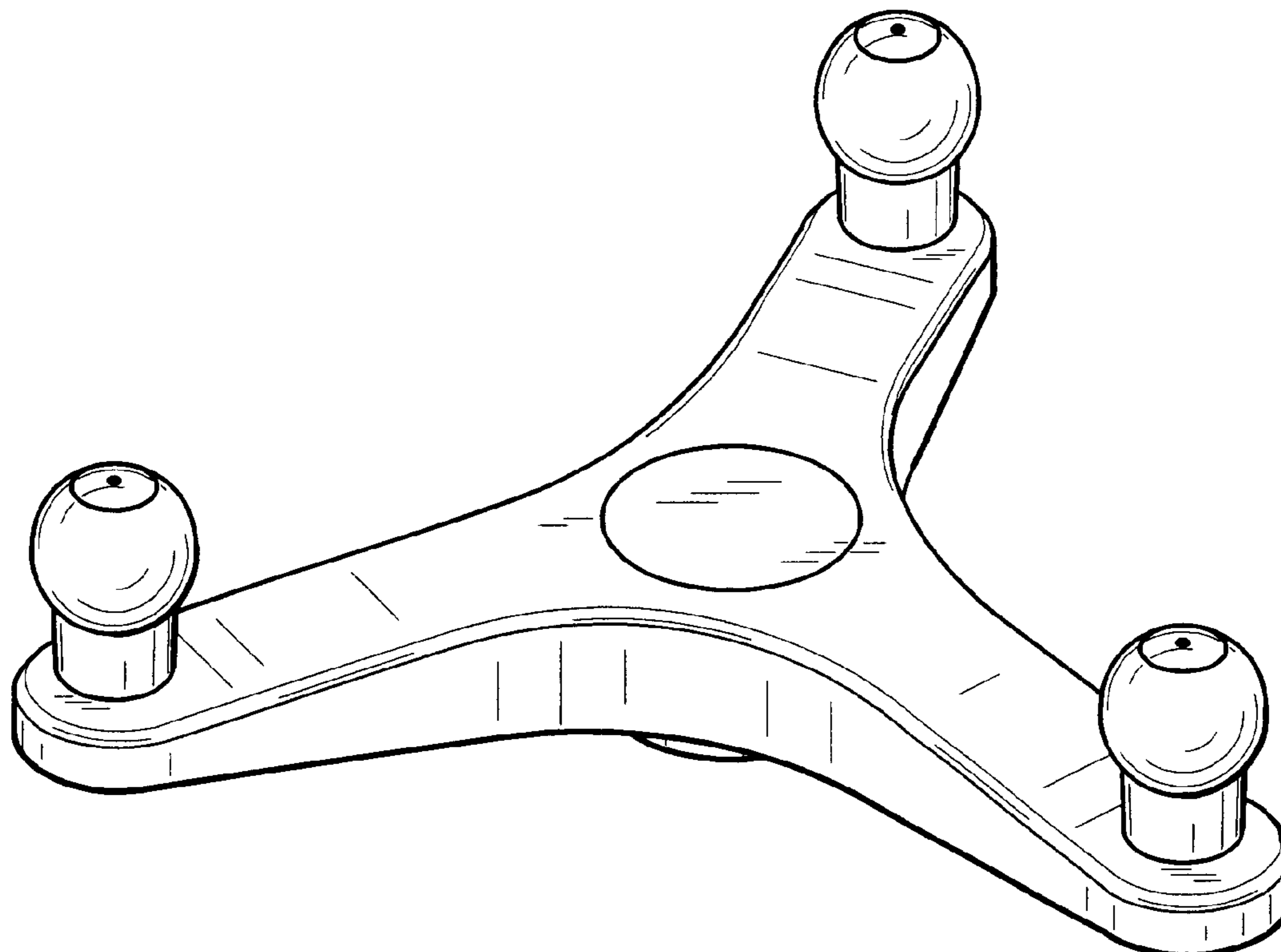
**DESCRIPTION**

**U.S. PATENT DOCUMENTS**

4,219,232 A	8/1980	Kouth	
4,583,420 A	4/1986	Miley	
D289,370 S	4/1987	Bertani	
4,860,423 A	8/1989	Baynes	
D369,966 S	5/1996	Decursu et al.	
D373,064 S	8/1996	Decursu et al.	
D379,580 S *	6/1997	Amundsen	..... D8/300
D421,758 S *	3/2000	Khaladj et al.	..... D15/142
D463,967 S	10/2002	Bertani	

FIG. 1 is an isometric view of my new design for a three arm handwheel with three handles;  
FIG. 2 is a top view of FIG. 1;  
FIG. 3 is a front view of FIG. 1;  
FIG. 4 is a right side view of FIG. 1, with the left side being a mirror image thereof;  
FIG. 5 is a back view of FIG. 1; and,  
FIG. 6 is a bottom view of FIG. 1.

**1 Claim, 3 Drawing Sheets**



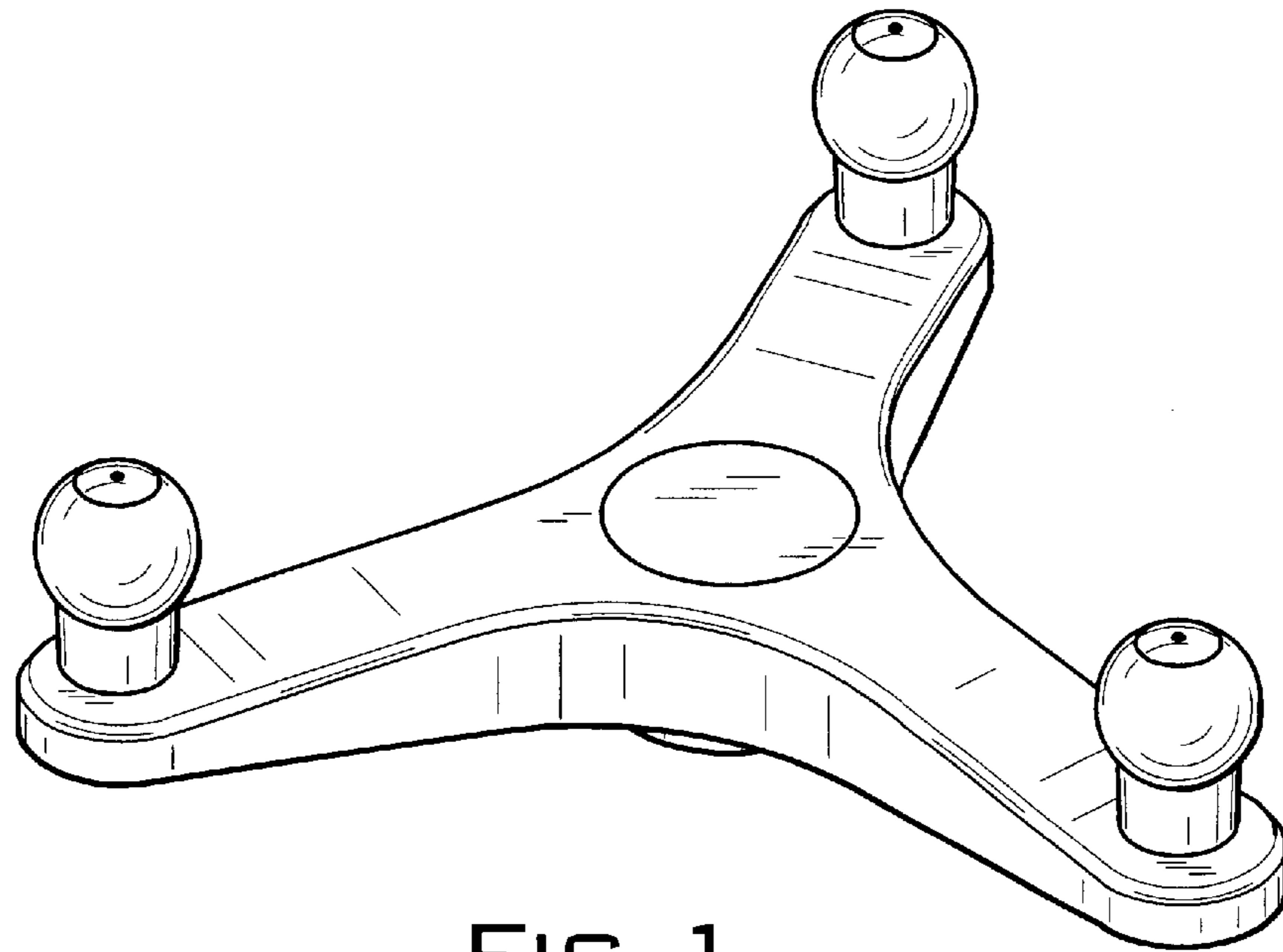


FIG. 1

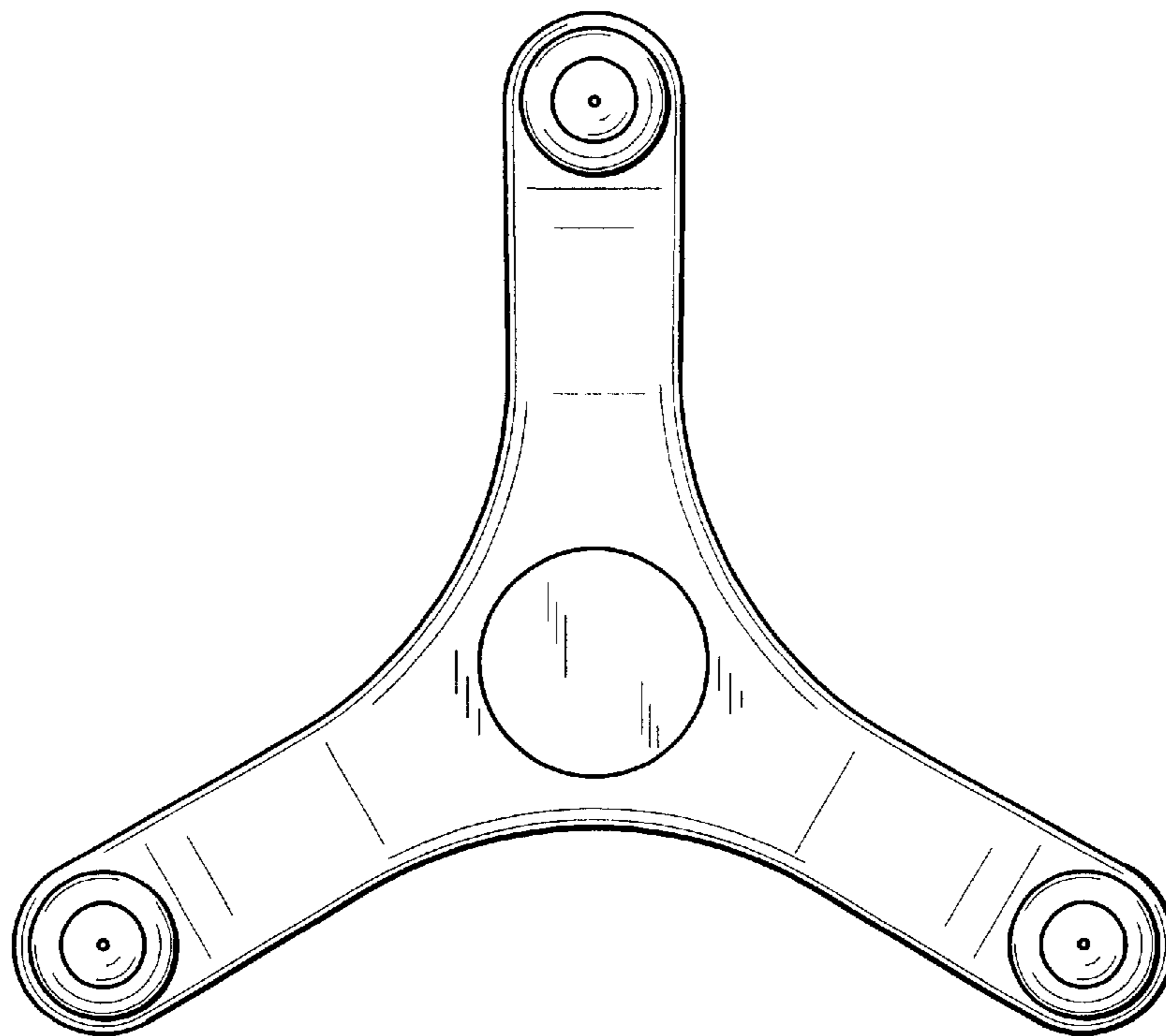


FIG. 2

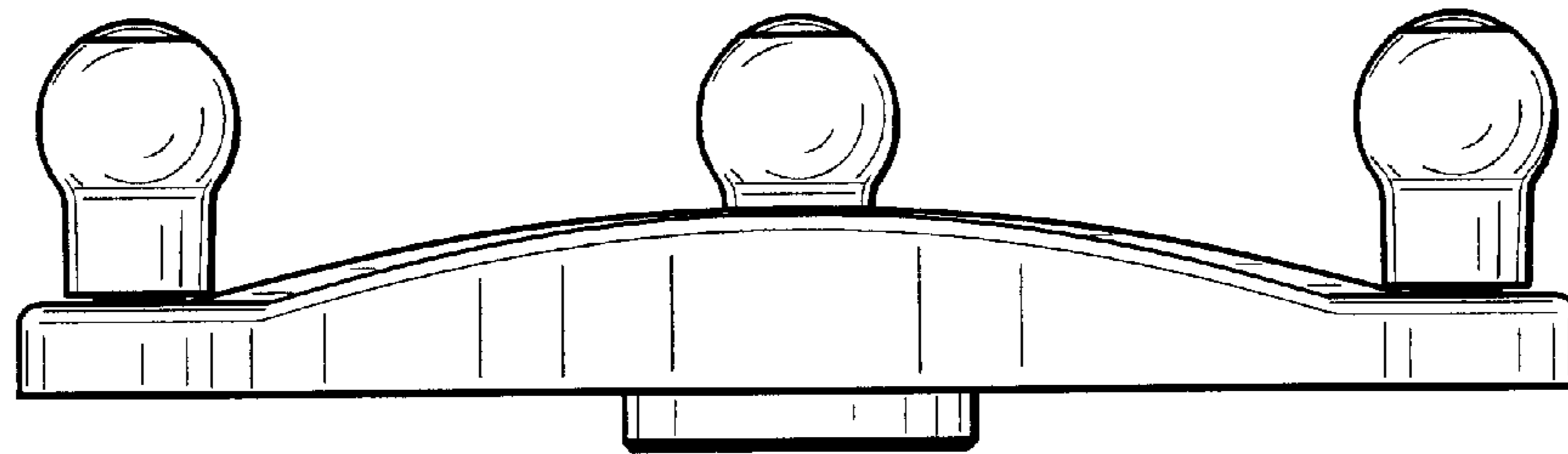


FIG. 3

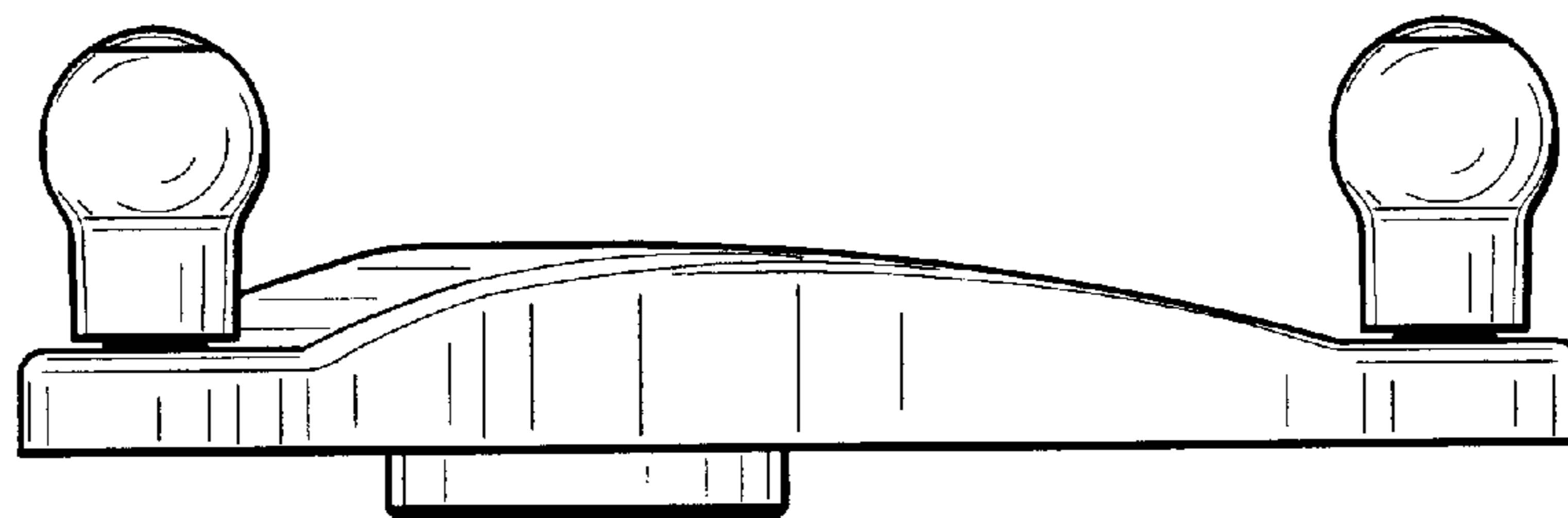


FIG. 4

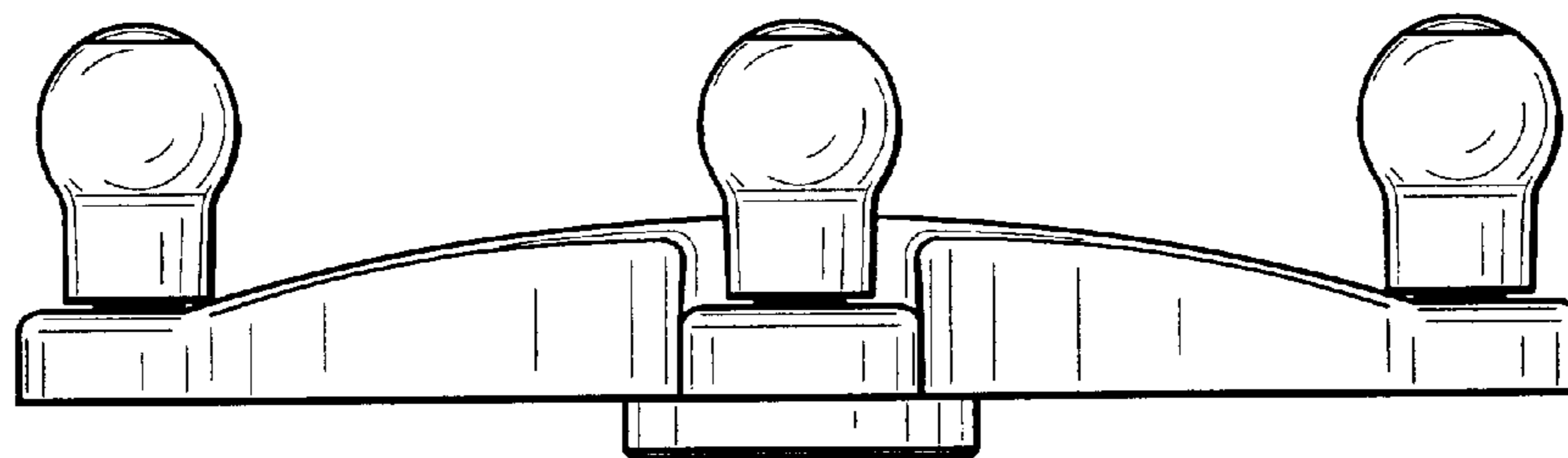


FIG. 5

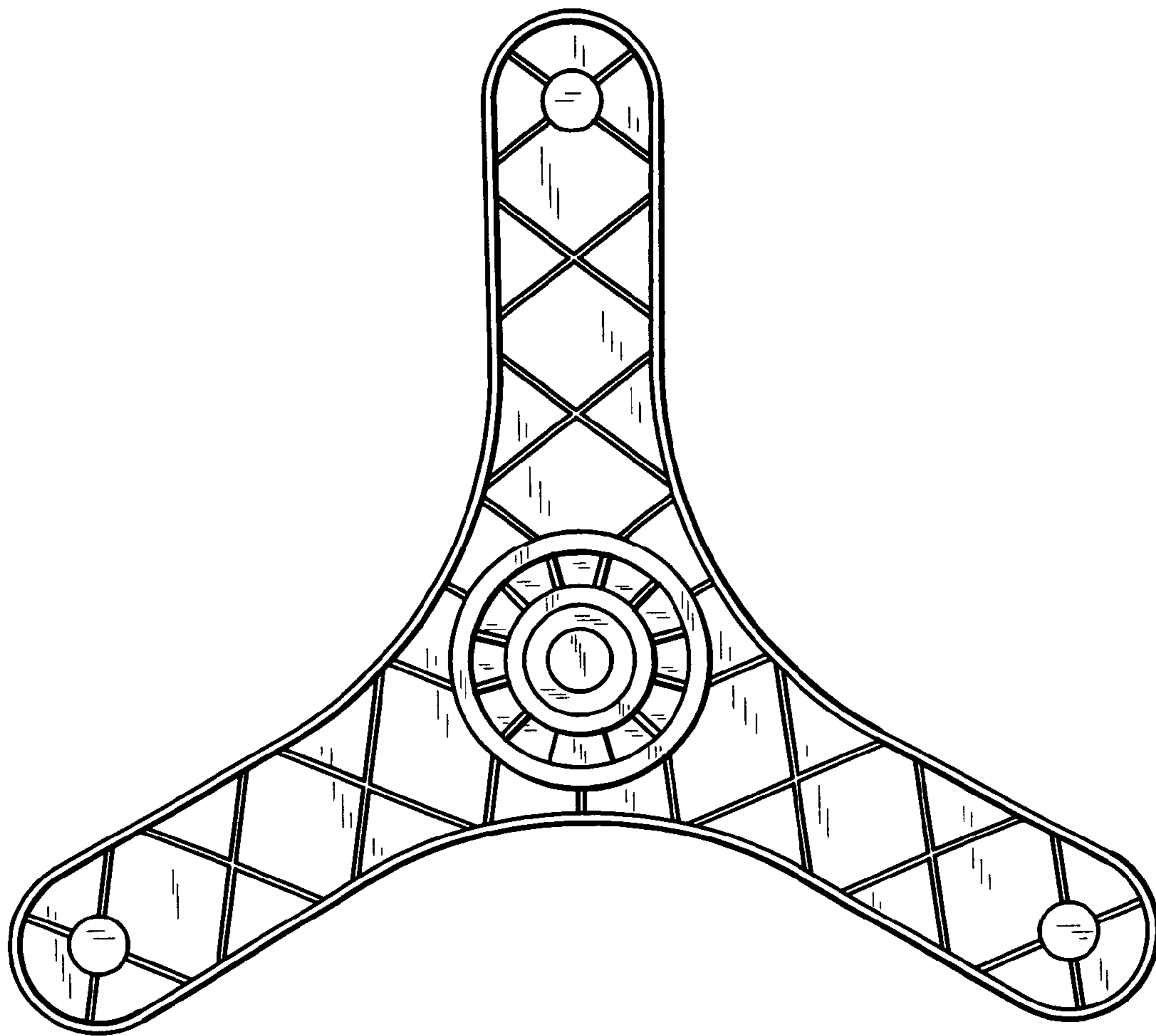


FIG. 6

UNITED STATES PATENT AND TRADEMARK OFFICE  
**CERTIFICATE OF CORRECTION**

PATENT NO. : Des. 493,348 S  
DATED : July 27, 2004  
INVENTOR(S) : Alberto Bertani

Page 1 of 1

It is certified that error appears in the above-identified patent and that said Letters Patent is hereby corrected as shown below:

Title page.

Insert the following Item:

-- [30]           **Foreign Application Priority Data**

Sept. 25, 2002       (IT) ..... DM-061419 --.

Signed and Sealed this

Twenty-eighth Day of December, 2004

A handwritten signature in black ink on a dotted background. The signature reads "Jon W. Dudas" in a cursive style.

JON W. DUDAS

*Director of the United States Patent and Trademark Office*