

US00D493345S1

(12) **United States Design Patent**
Allison

(10) **Patent No.: US D493,345 S**

(45) **Date of Patent: ** Jul. 27, 2004**

(54) **CONVEX-LENS LIGHTED TOOL DRIVER**

(76) **Inventor: Michael P. Allison**, 411 Tyler Place
Apt. G, Salinas, CA (US) 93906

(**) **Term: 14 Years**

(21) **Appl. No.: 29/180,625**

(22) **Filed: Apr. 28, 2003**

(51) **LOC (7) Cl. 08-04**

(52) **U.S. Cl. D8/87; D8/82**

(58) **Field of Search D8/82, 83, 84,**
D8/85, 86, 87; D26/38; 7/165; 362/119,
120, 578; 81/177.1

(56) **References Cited**

U.S. PATENT DOCUMENTS

D182,397 S	4/1958	Blum	D8/87
4,768,137 A	8/1988	Hwaw et al.	362/120
5,369,555 A	11/1994	McKain et al.	362/578
D363,012 S	* 10/1995	Humphries	D8/87
D376,305 S	* 12/1996	Kung	D8/82
5,628,556 A	5/1997	Hrabar et al.	362/578
D412,096 S	* 7/1999	Kung et al.	D8/87
6,030,092 A	2/2000	McCalla et al.	362/120
D423,900 S	* 5/2000	Hung	D8/83
D425,387 S	* 5/2000	Shiao	D8/82
D430,784 S	* 9/2000	Shiao	D8/82

6,135,608 A	10/2000	Lin	362/119
6,260,980 B1	7/2001	Ping	362/120
6,280,047 B1	* 8/2001	Chen	362/120
D448,645 S	* 10/2001	Lin	D8/107
D449,506 S	* 10/2001	Haung	D8/87
6,318,875 B1	* 11/2001	Hrabar et al.	362/119
6,364,500 B1	4/2002	McCalla et al.	362/120
6,478,442 B2	11/2002	Chen	362/119

* cited by examiner

Primary Examiner—Philip S. Hyder

(74) *Attorney, Agent, or Firm*—William Keyworth; Bill & Mary Lou Inc.

(57) **CLAIM**

The ornamental design for a convex-lens lighted tool driver, as shown and described.

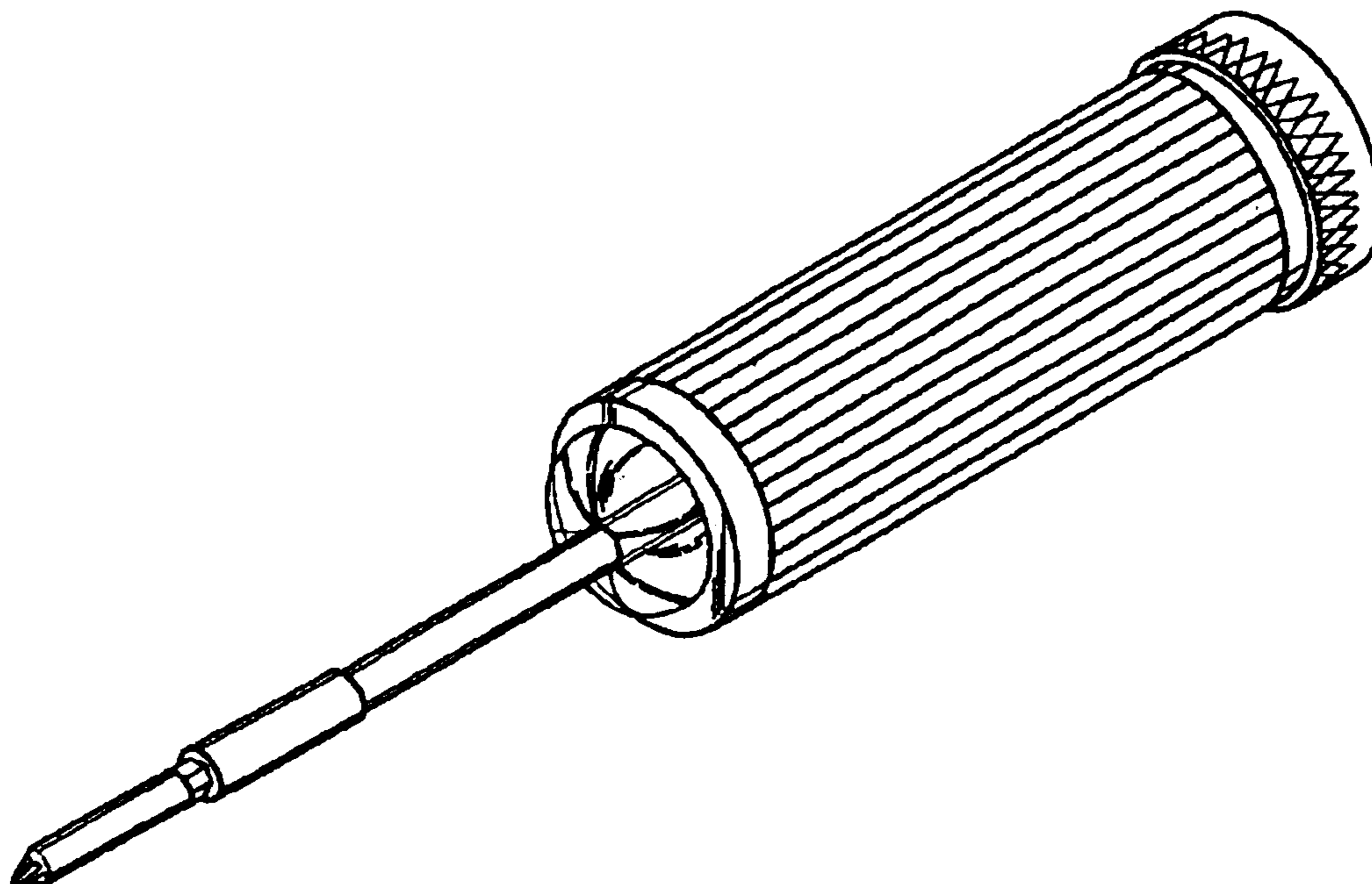
DESCRIPTION

FIG. 1 is a side view of the convex-lens lighted tool driver design. The opposite side is identical.

FIG. 2 is a side perspective view of a convex-lens lighted tool driver as viewed from the handle end of the tool driver. This view shows the bottom end of the design; and,

FIG. 3 is a side perspective of a convex-lens lighted tool driver as viewed from the tool holder side of the tool driver. This view shows the convex lens end of the design.

1 Claim, 1 Drawing Sheet



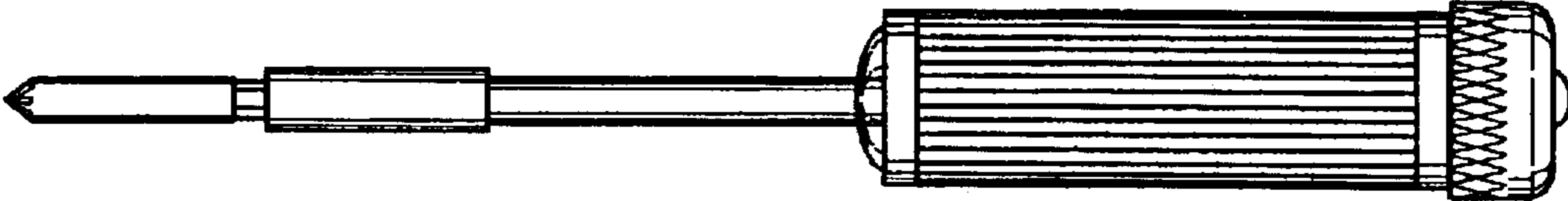


Fig. 1

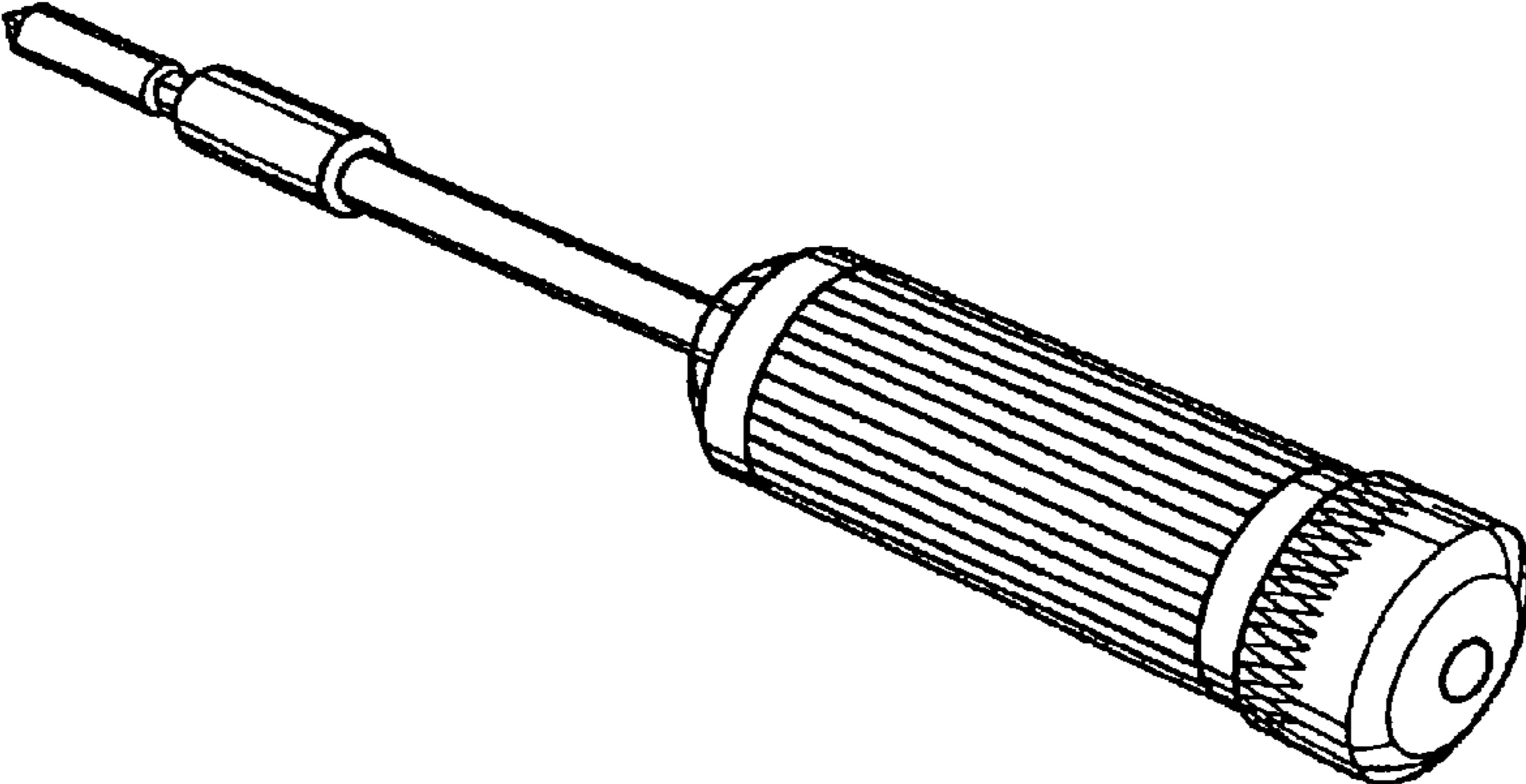


Fig. 2

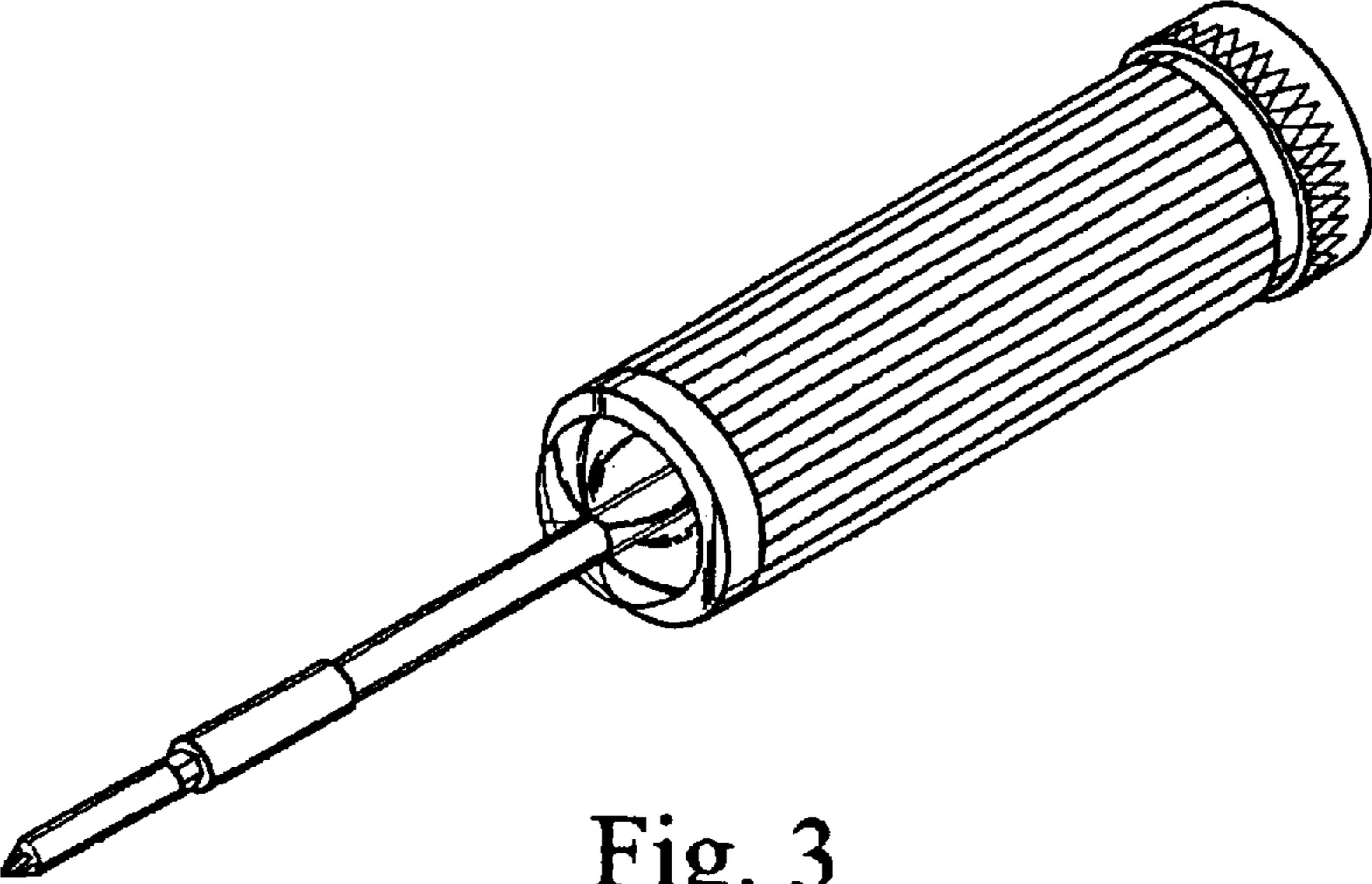


Fig. 3