

US00D493343S1

(12) **United States Design Patent**  
**Chen**

(10) **Patent No.:** **US D493,343 S**

(45) **Date of Patent:** **\*\* Jul. 27, 2004**

(54) **STAPLER**

5,931,365 A \* 8/1999 Huang ..... 227/120  
5,992,724 A \* 11/1999 Snyder ..... 227/120  
6,209,772 B1 \* 4/2001 Wang ..... 227/134

(75) **Inventor:** **Peter Chen**, West Windsor, NJ (US)

(73) **Assignee:** **Officemate International Corporation**,  
Edison, NJ (US)

(\*\*) **Term:** **14 Years**

\* cited by examiner

*Primary Examiner*—Adir Aronovich

(74) *Attorney, Agent, or Firm*—Daniel Kirshner, Esq

(21) **Appl. No.:** **29/178,682**

(57) **CLAIM**

(22) **Filed:** **Mar. 28, 2003**

The ornamental design for a stapler, as shown.

(51) **LOC (7) Cl.** ..... **19-02**

(52) **U.S. Cl.** ..... **D8/50**

(58) **Field of Search** ..... D8/49, 50, 61;  
D19/72; 227/120, 127, 128, 132, 134, 136

**DESCRIPTION**

FIG. 1 is a front perspective view of the stapler showing the design;

FIG. 2 is a front elevational view thereof;

FIG. 3 is a rear elevational view thereof;

FIG. 4 is a left side elevational view thereof;

FIG. 5 is a right side elevational view thereof;

FIG. 6 is a top plan view thereof; and,

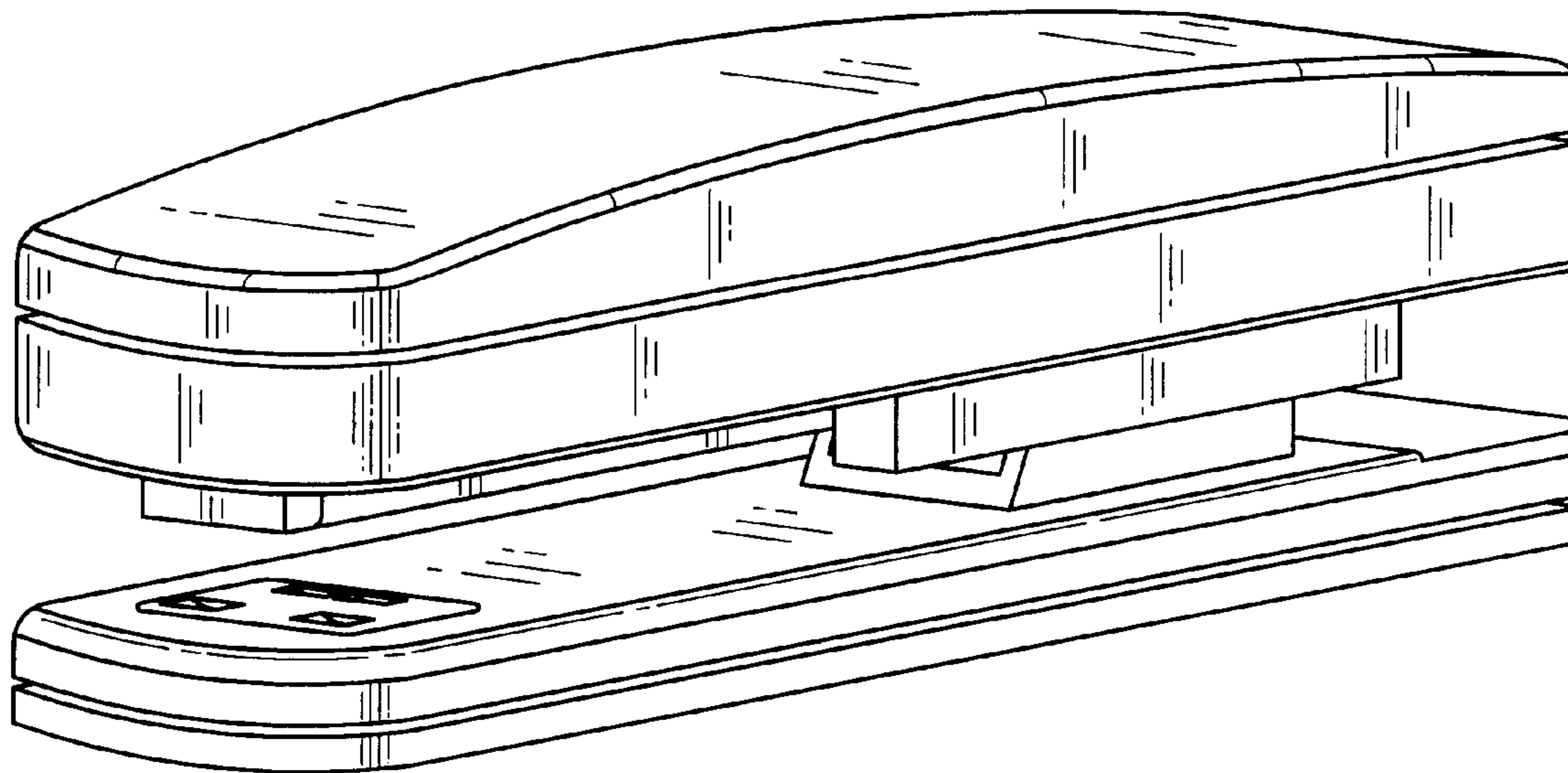
FIG. 7 is a bottom plan view thereof.

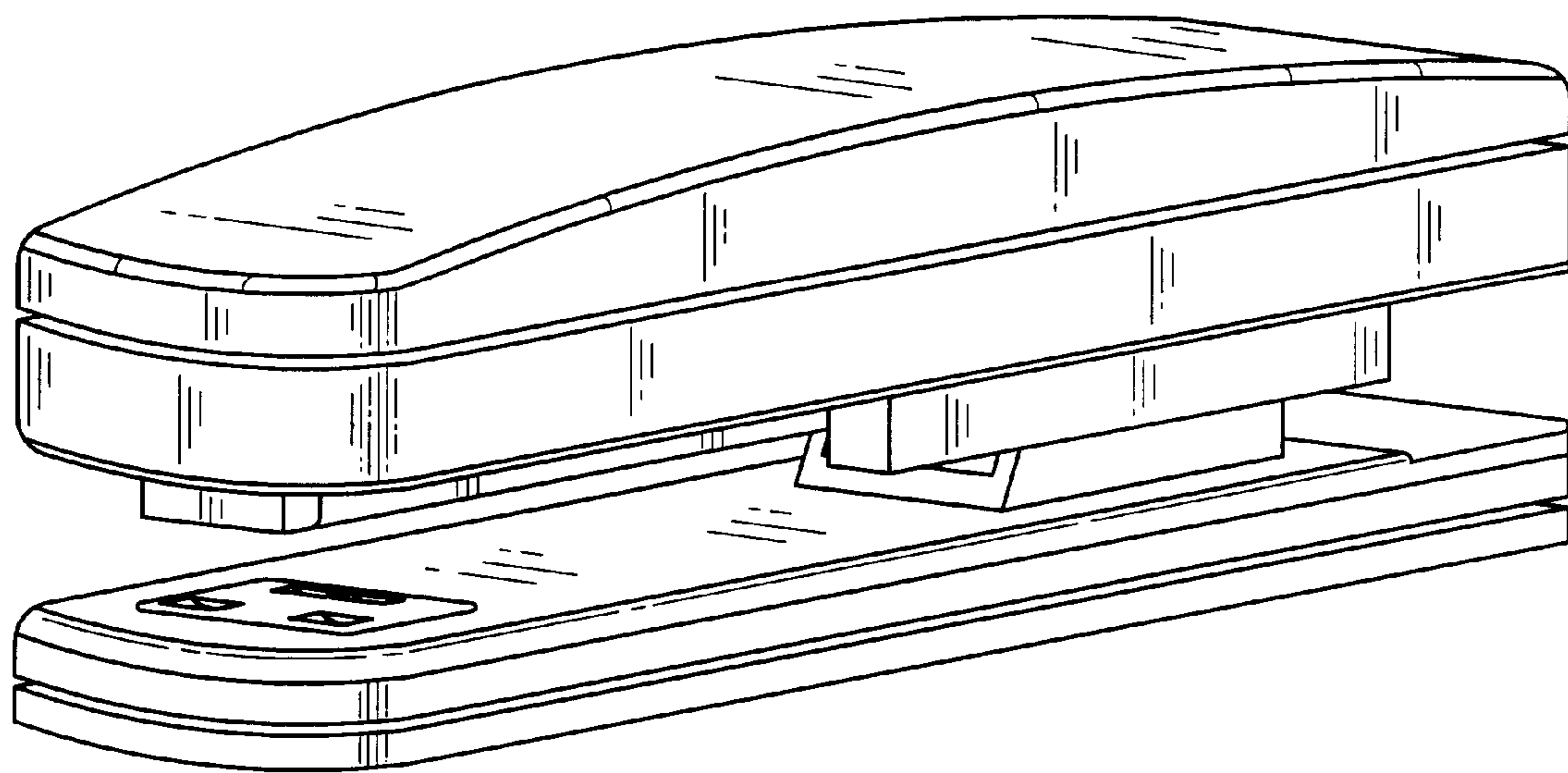
(56) **References Cited**

**U.S. PATENT DOCUMENTS**

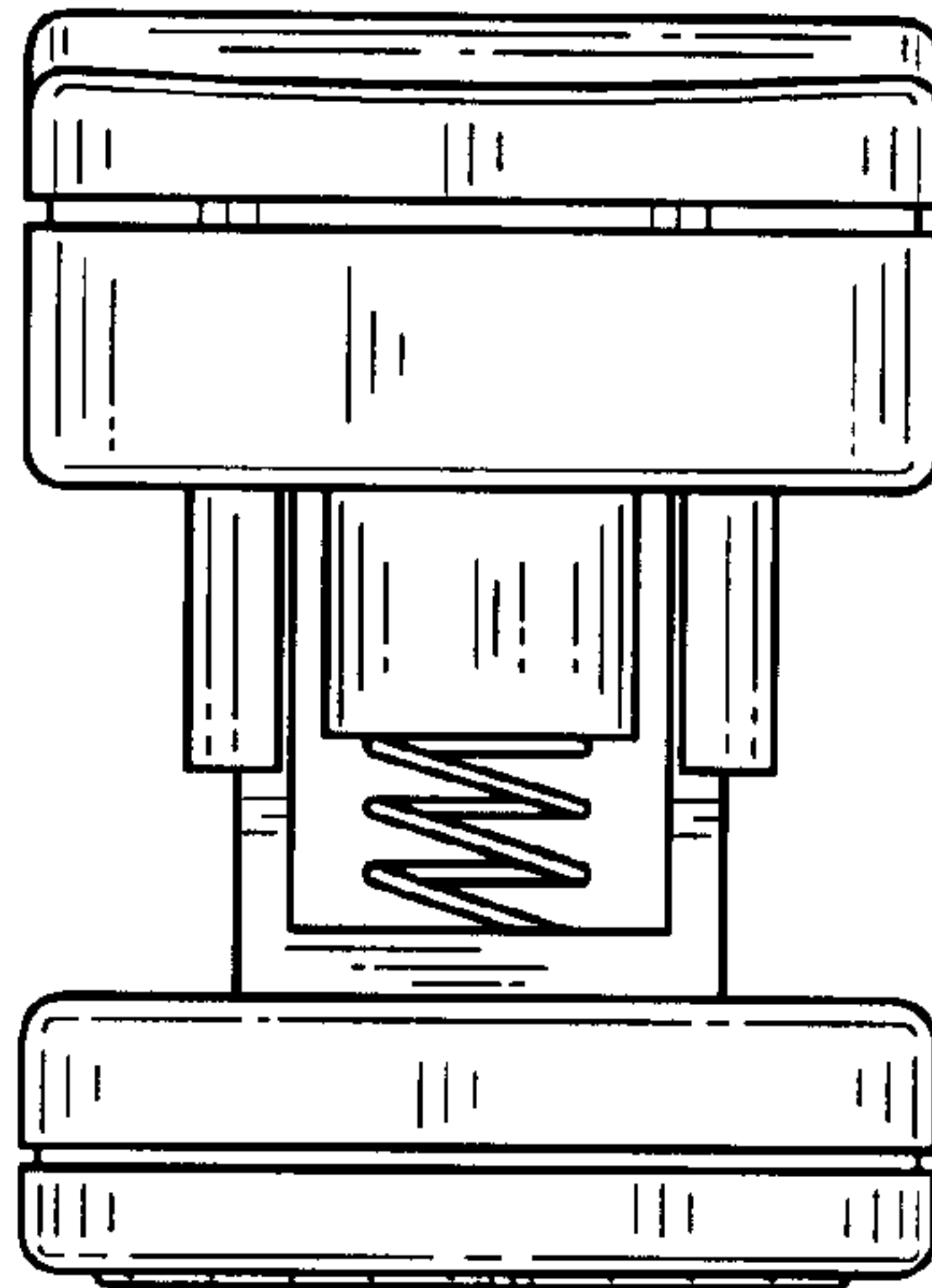
D215,692 S \* 10/1969 Glennon ..... D8/50  
D305,293 S \* 1/1990 Trotman et al. .... D8/50  
D387,646 S \* 12/1997 Arns ..... D8/50

**1 Claim, 4 Drawing Sheets**

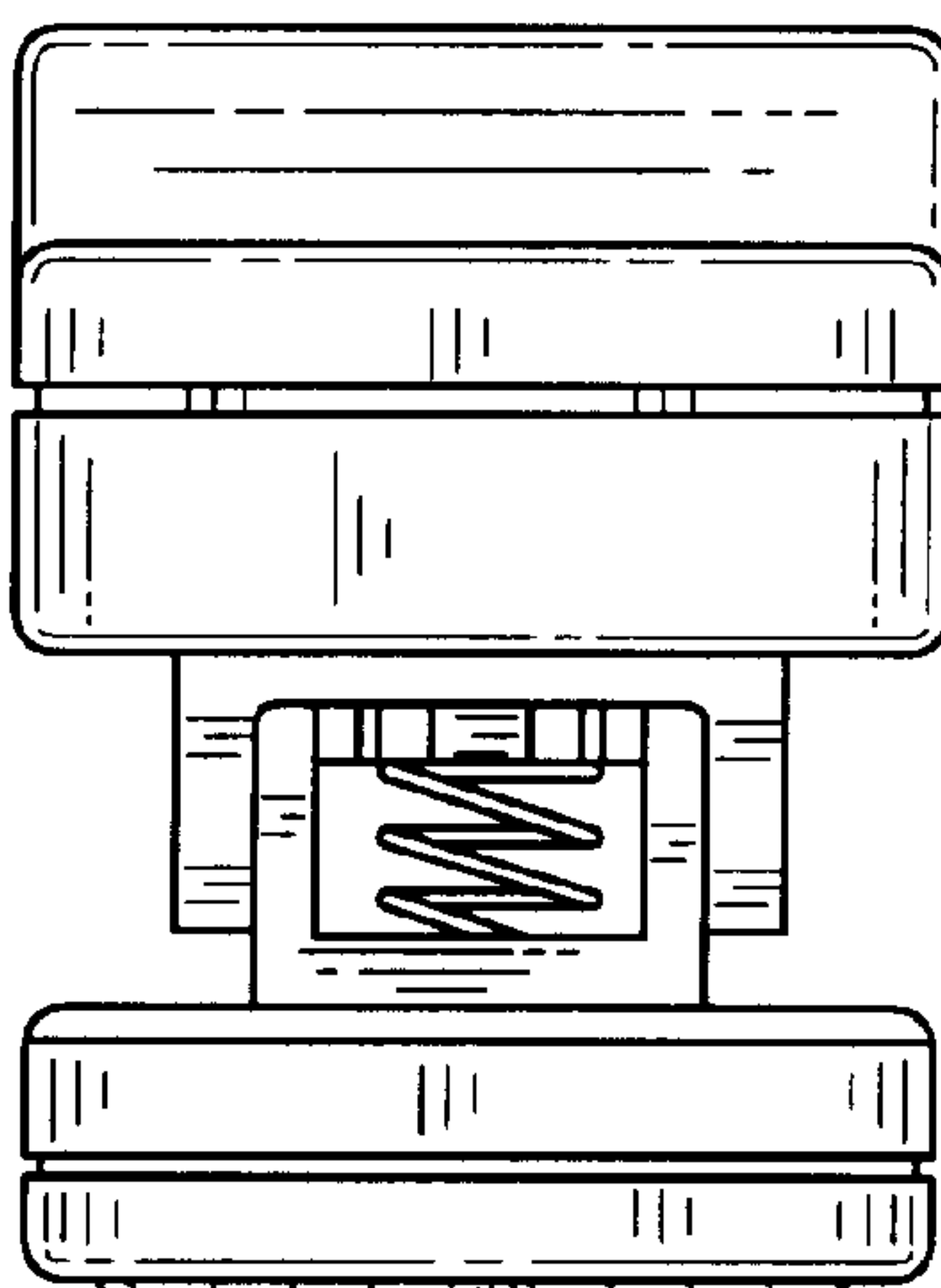




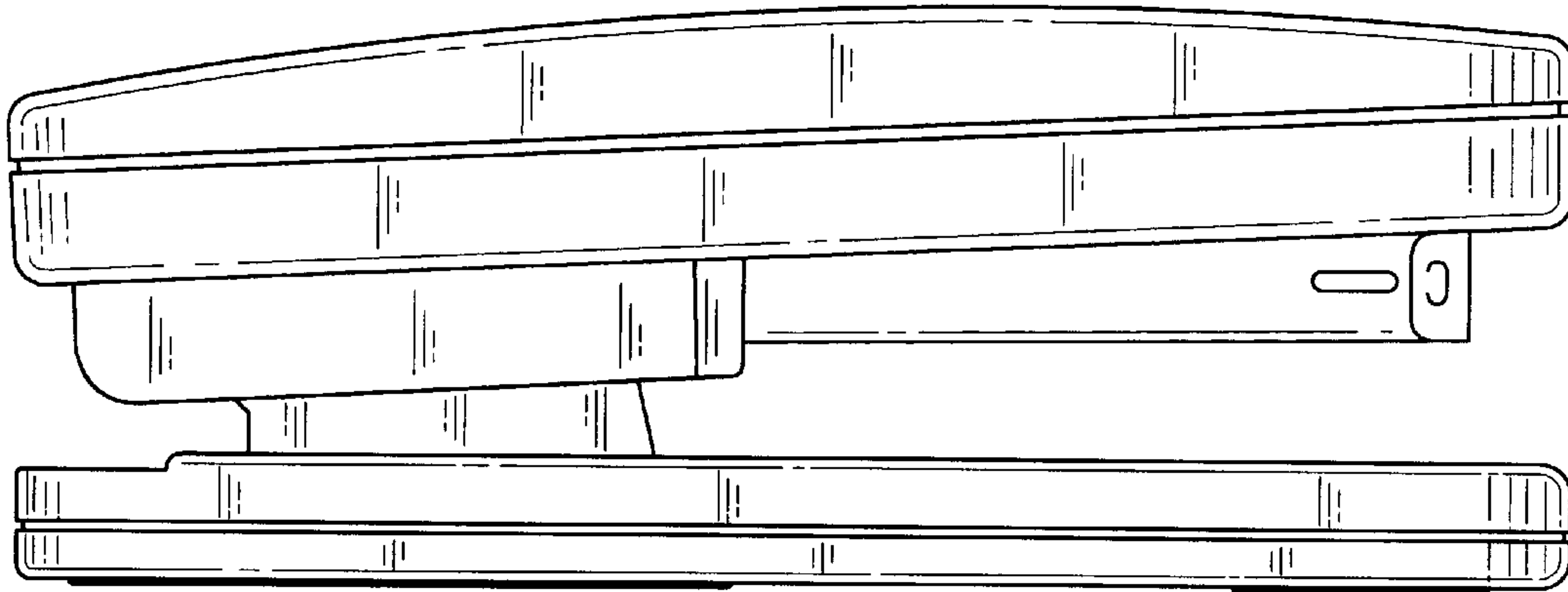
*FIG. 1*



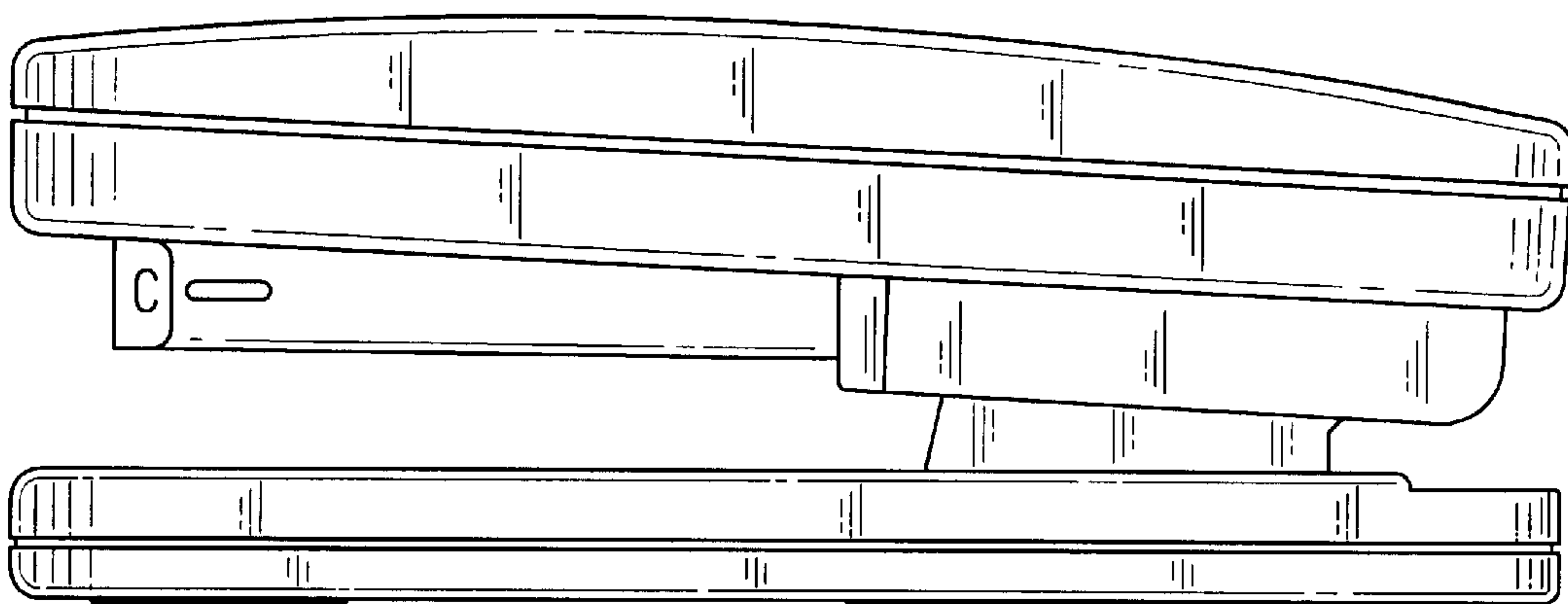
*FIG. 2*



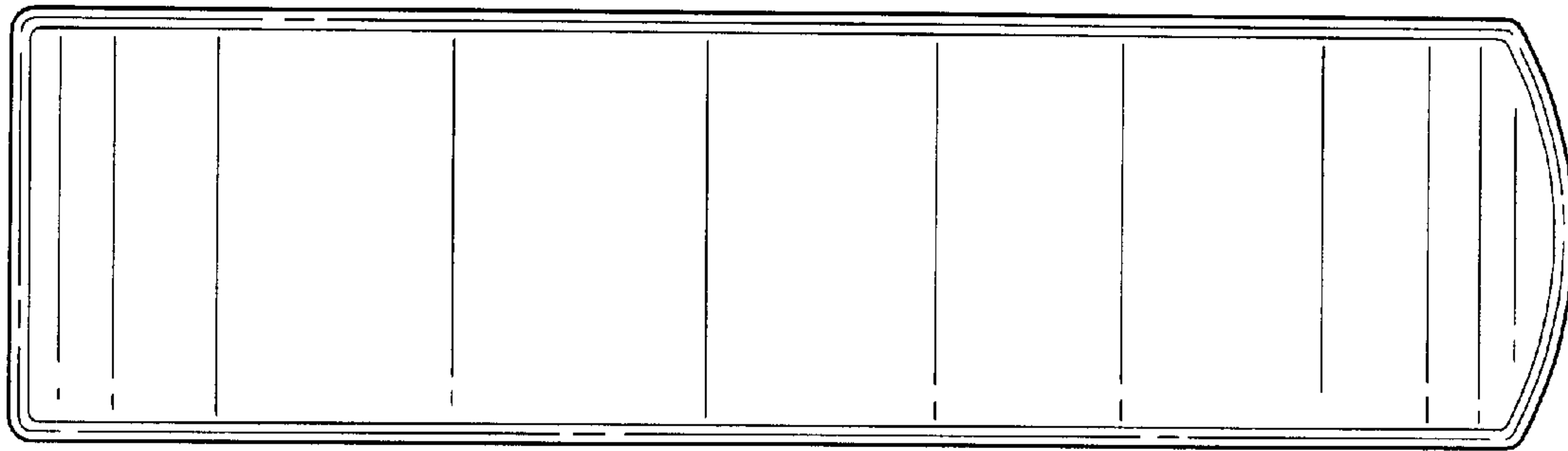
*FIG. 3*



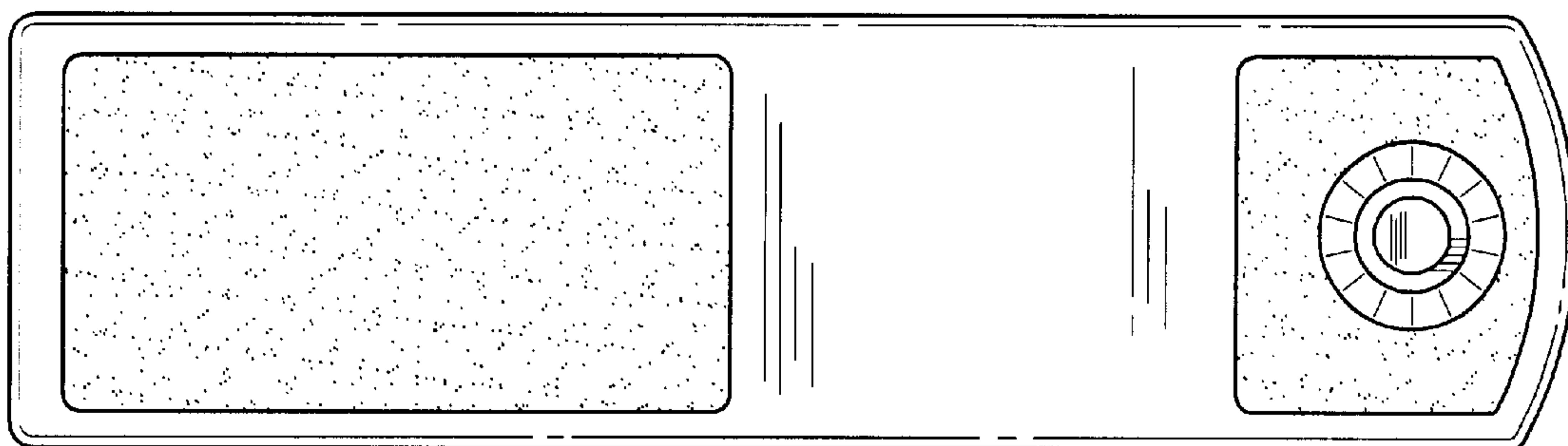
*FIG. 4*



*FIG. 5*



*FIG. 6*



*FIG. 7*