

US00D493342S1

(12) **United States Design Patent**
Masaki

(10) **Patent No.:** **US D493,342 S**
(45) **Date of Patent:** **** Jul. 27, 2004**

(54) **CONTROLLER FOR SOLDERING IRON**

(75) Inventor: **Hiroyuki Masaki**, Osaka (JP)

(73) Assignee: **Hakko Corporation**, Osaka (JP)

(**) Term: **14 Years**

(21) Appl. No.: **29/185,533**

(22) Filed: **Jun. 26, 2003**

(51) **LOC (7) Cl.** **08-05**

(52) **U.S. Cl.** **D8/30; D13/123**

(58) **Field of Search** **D8/29.1, 30; D13/123;**
219/616, 240; 228/20, 8, 51, 111.5

(56) **References Cited**

U.S. PATENT DOCUMENTS

2,494,840	A	*	1/1950	Stephenson	219/231
4,418,268	A	*	11/1983	Munshaw	219/242
D274,882	S		7/1984	Rittmann	D8/30
D277,636	S		2/1985	Rittmann	D8/30
4,935,600	A	*	6/1990	Pachschvoll	219/241
5,048,742	A	*	9/1991	Fortune	228/20.5
5,472,133	A	*	12/1995	Lin	228/8
D477,199	S	*	7/2003	Moll et al.	D8/30

OTHER PUBLICATIONS

Techni Tool Catalog, 2003, pp. 5, 8, 12, 16, 17, 22, 29, Soldering iron stations.*

* cited by examiner

Primary Examiner—Philip S. Hyder

(74) *Attorney, Agent, or Firm*—Squire, Sanders & Dempsey, L.L.P.

(57) **CLAIM**

The ornamental design for a controller for soldering iron, as shown and described.

DESCRIPTION

FIG. 1 is a front perspective view of a controller for soldering iron;
FIG. 2 is a front view thereof;
FIG. 3 is a rear view thereof;
FIG. 4 is a left side view thereof;
FIG. 5 is a right side view thereof;
FIG. 6 is a top view thereof; and,
FIG. 7 is a bottom view thereof.
Portion shown in a broken lines is for illustrative purposes only and forms no part of the claimed design.

1 Claim, 4 Drawing Sheets

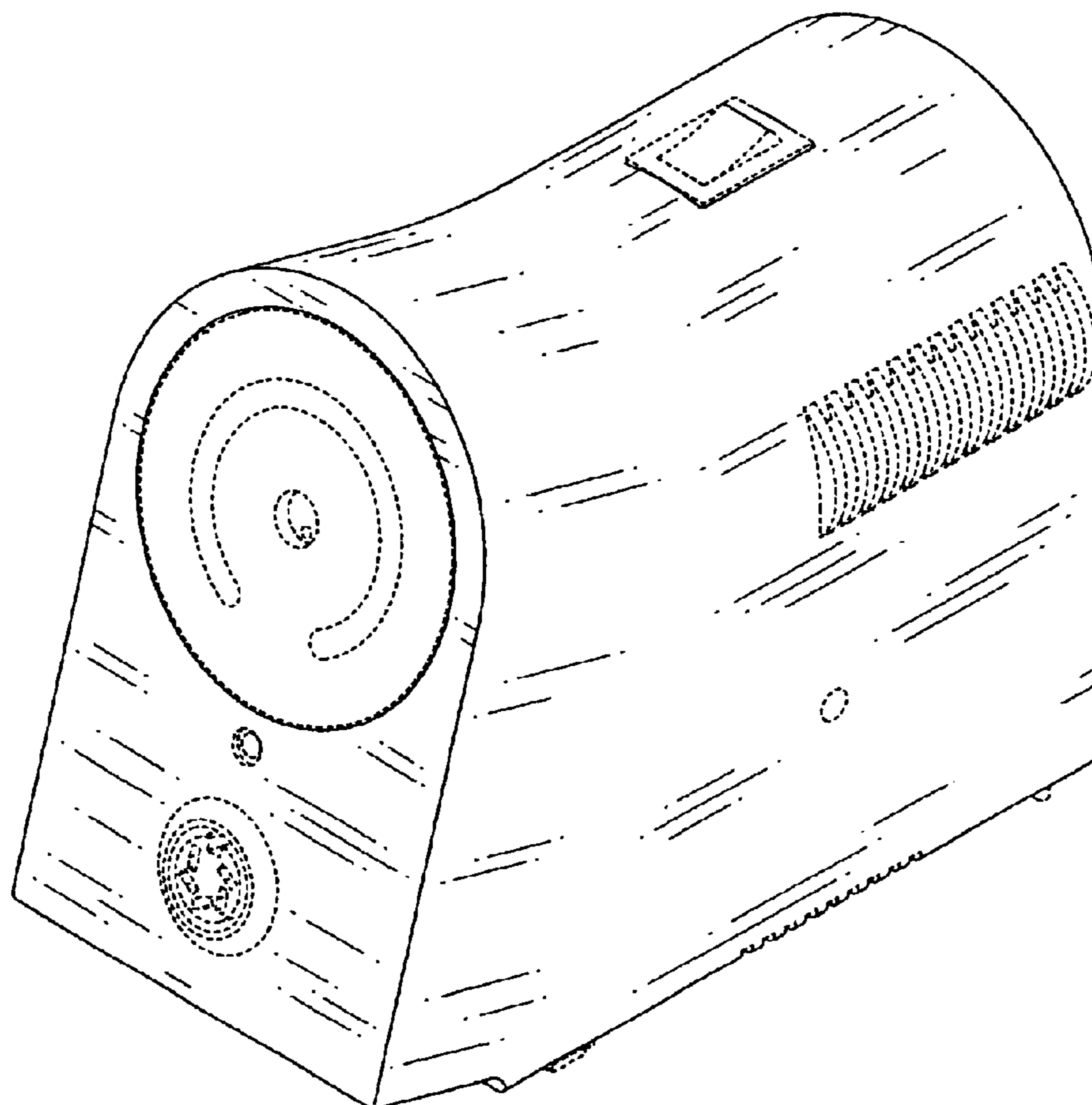


Fig. 1

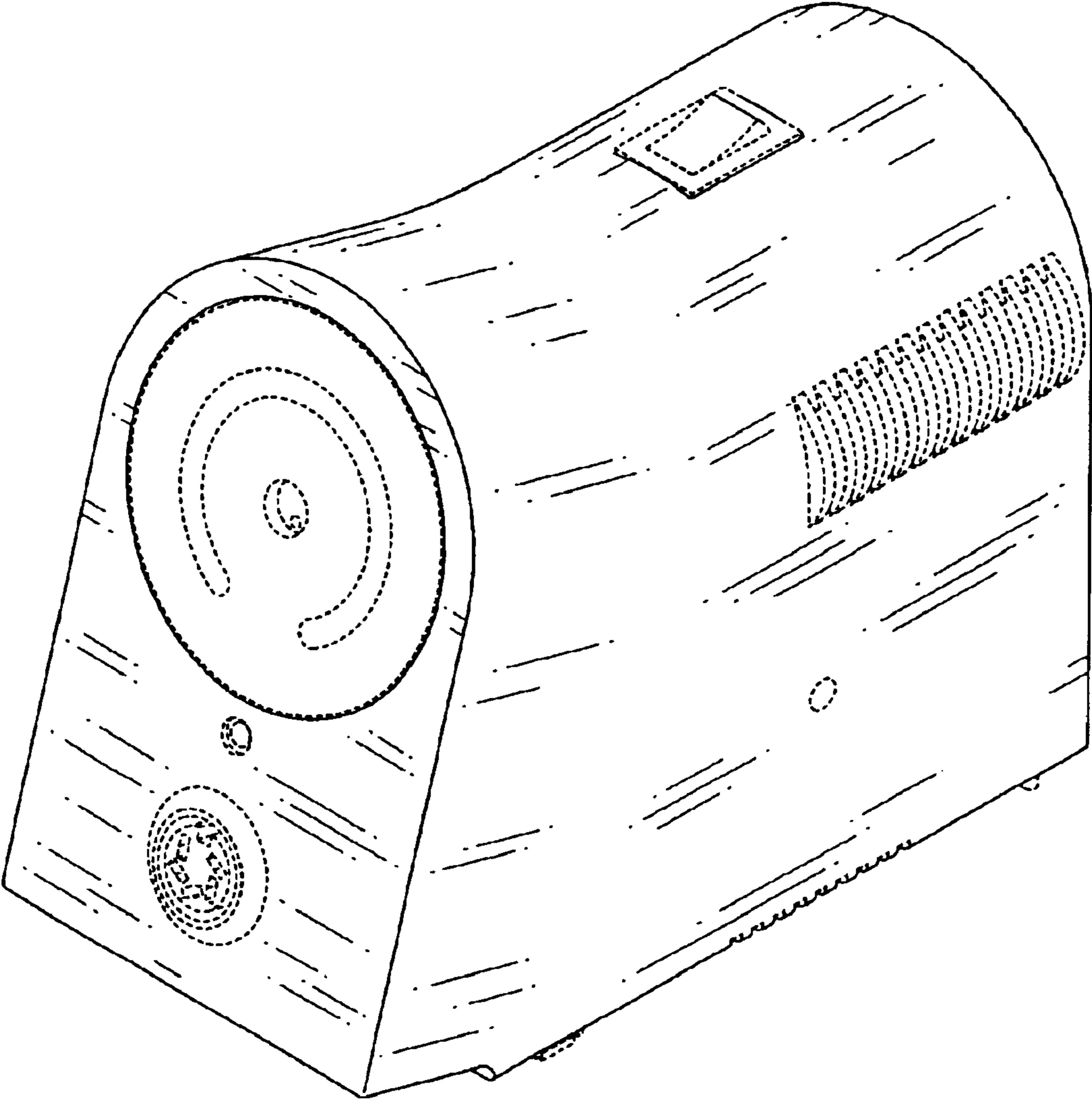


Fig. 2

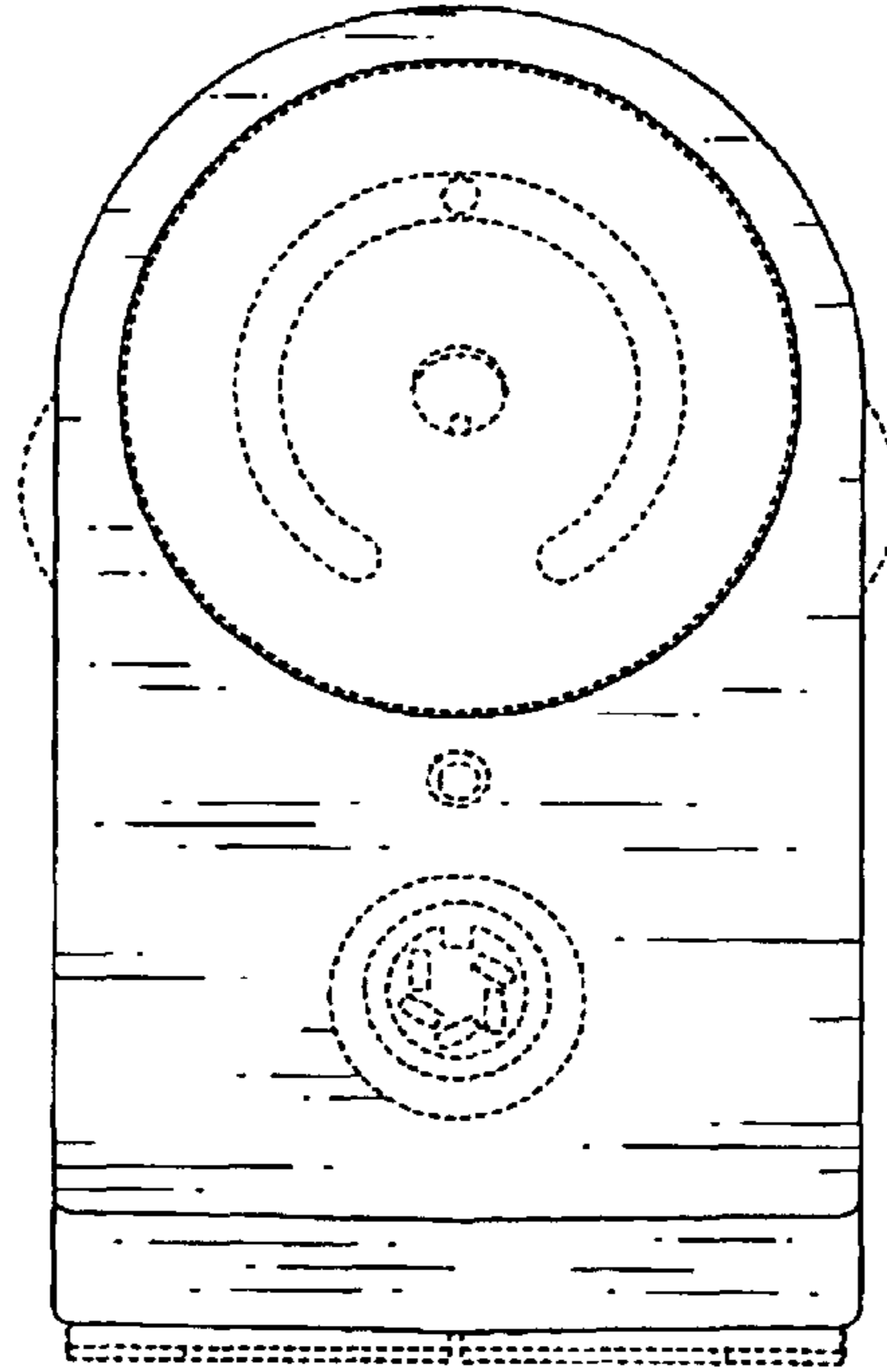


Fig. 3

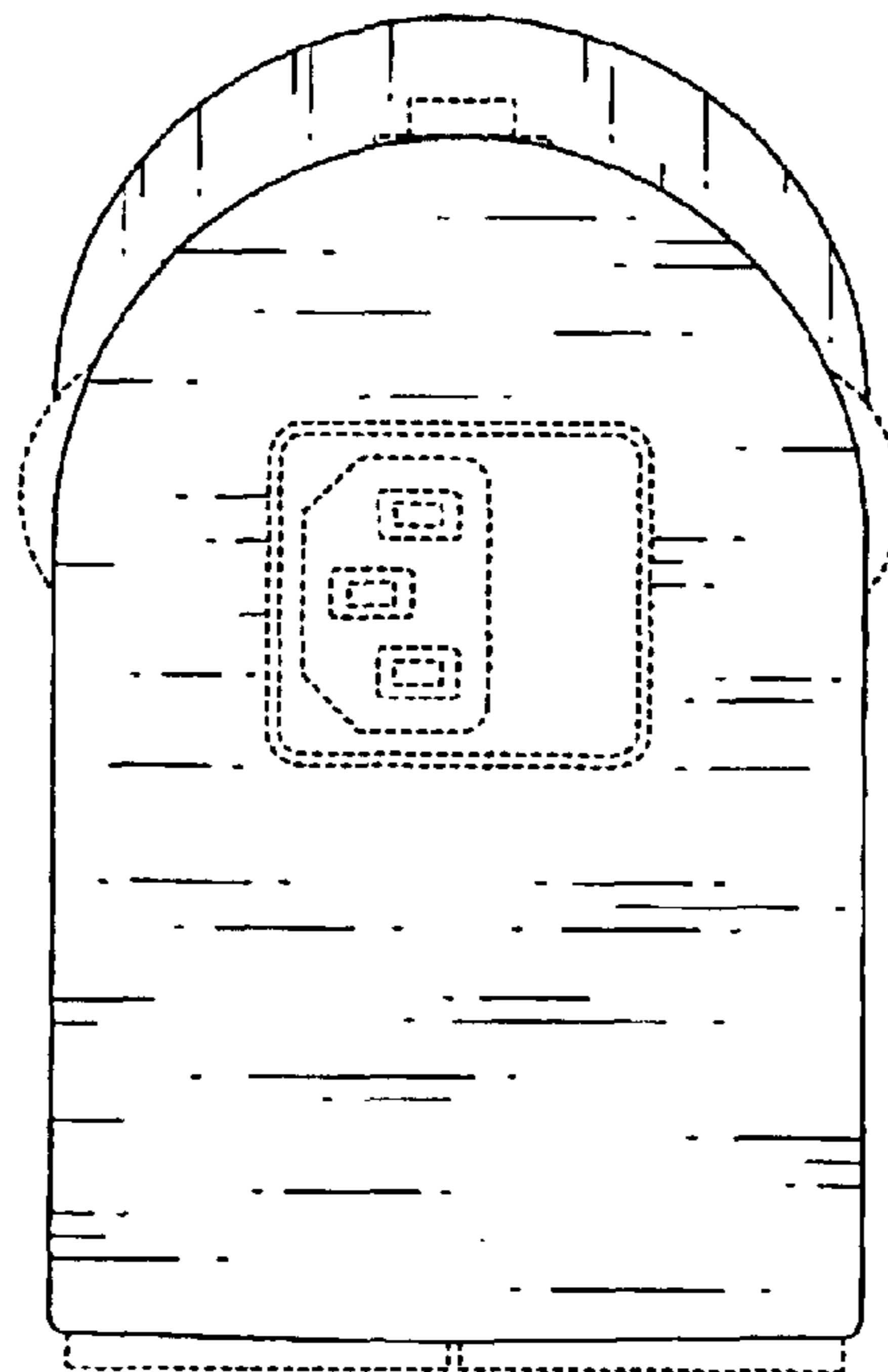


Fig. 4

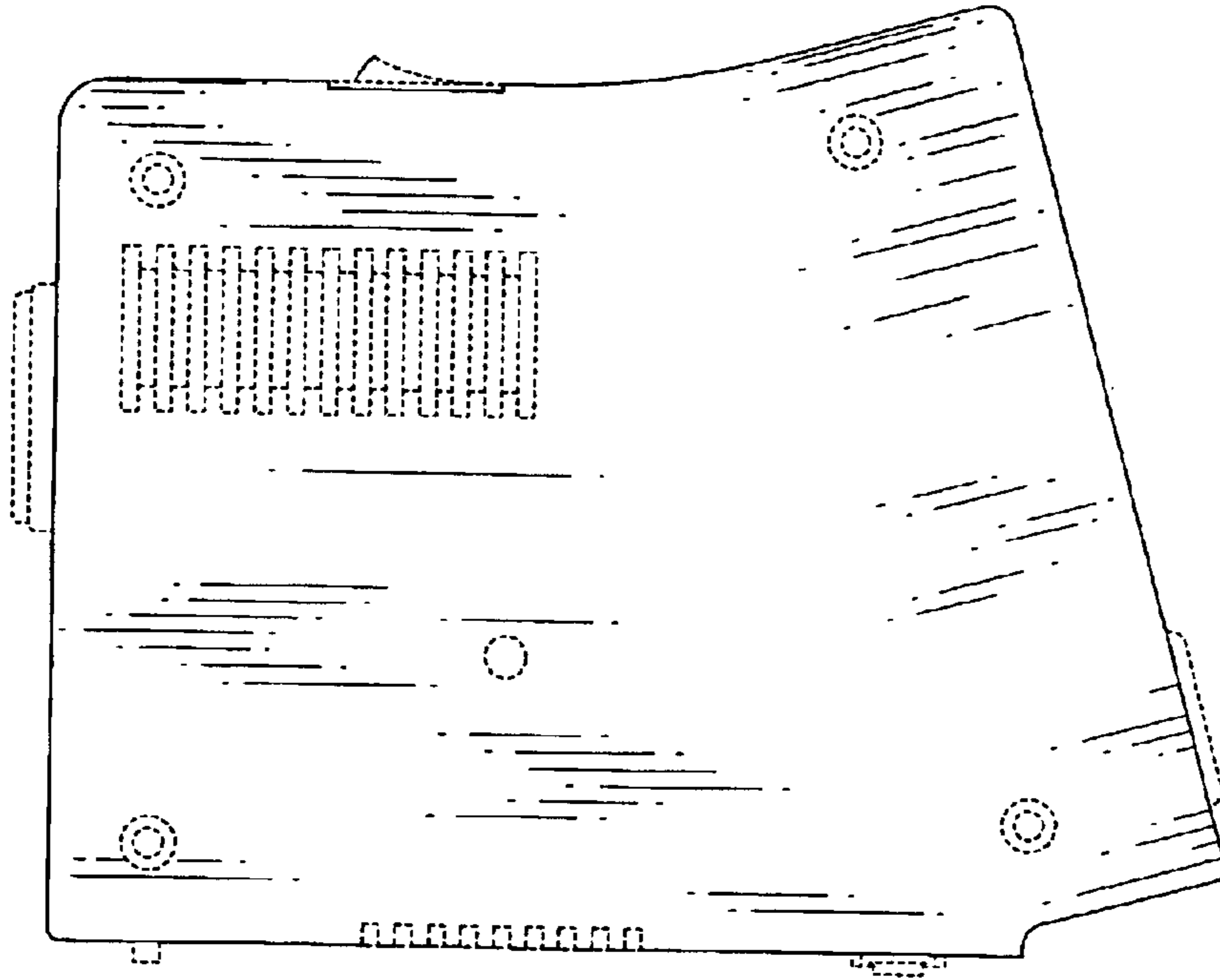


Fig. 5

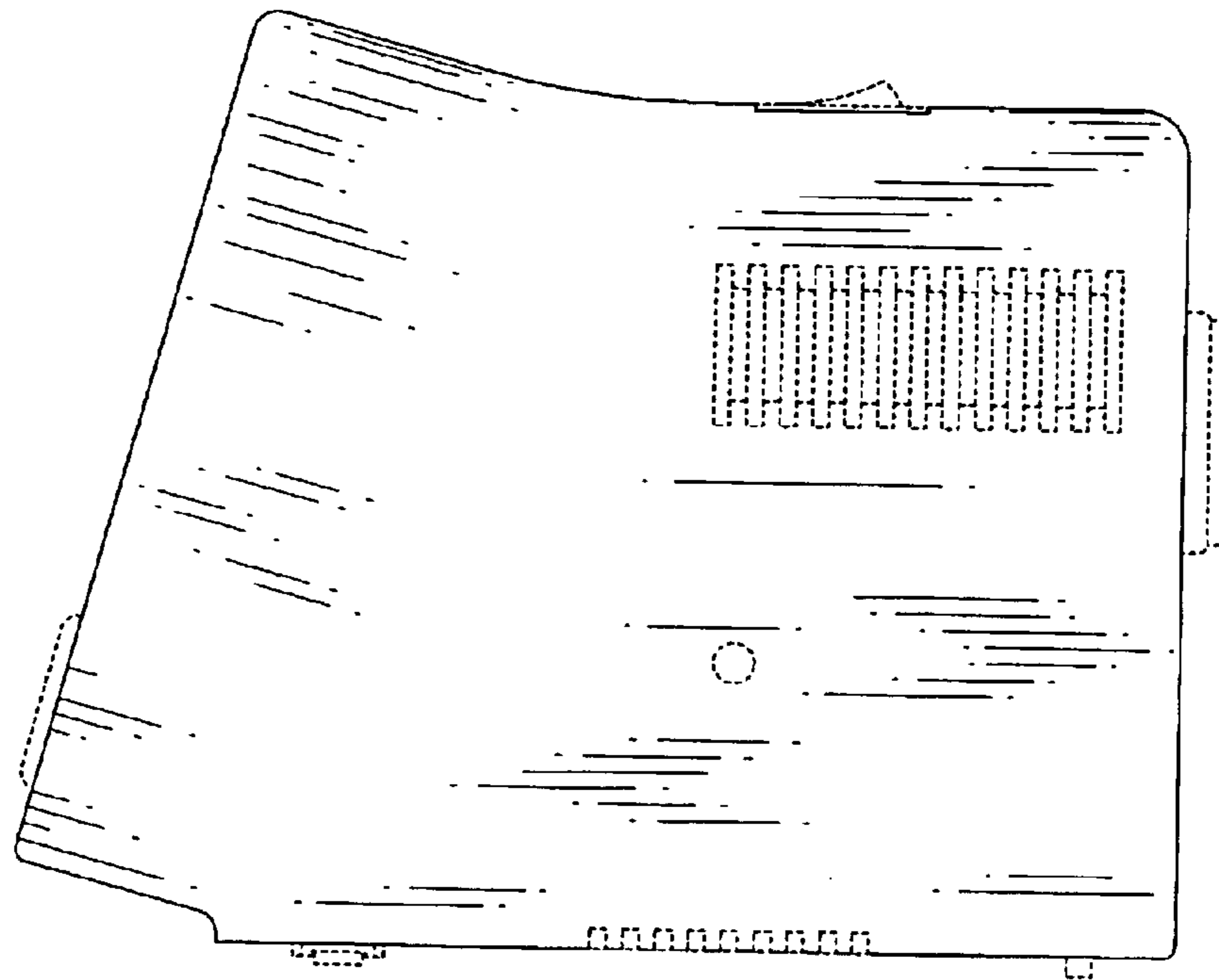


Fig. 6

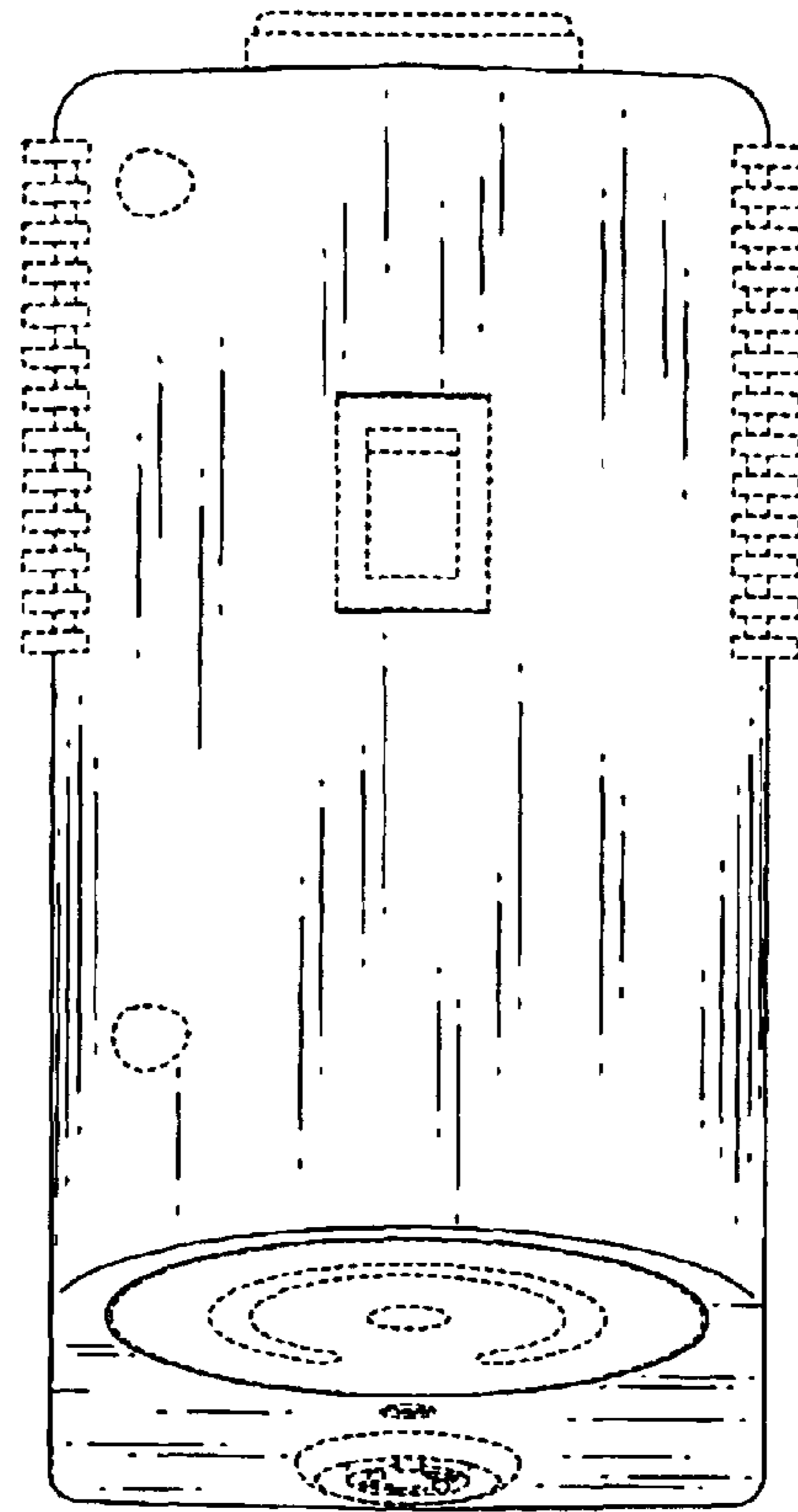


Fig. 7

