

US00D493341S1

(12) **United States Design Patent**
Chen

(10) **Patent No.:** **US D493,341 S**
(45) **Date of Patent:** **** Jul. 27, 2004**

(54) **RATCHET WRENCH**

(76) **Inventor:** **Terence Chen**, No. 325, Yung Ching Road, Tung Shan Hsiang, Lo Tung Town, Yi Lan Hsien (TW)

(**) **Term:** **14 Years**

(21) **Appl. No.:** **29/176,445**

(22) **Filed:** **Feb. 21, 2003**

(51) **LOC (7) Cl.** **08-05**

(52) **U.S. Cl.** **D8/25**

(58) **Field of Search** D8/21-29, 82-87, D8/107, 303; 81/60-63.2, 177.1, 177.85, 489; D7/393, 395, 645; 16/110.1, 421, 422, 436

(56) **References Cited**

U.S. PATENT DOCUMENTS

- D132,891 S * 6/1942 Chapman D8/25
- 2,808,749 A * 10/1957 Lampke 81/57.13
- 3,145,594 A * 8/1964 Peters 81/63
- D336,225 S * 6/1993 Lin D8/25

- D340,628 S * 10/1993 Chow D8/25
- D439,480 S * 3/2001 Hsu D8/25
- D471,774 S * 3/2003 Hu D8/25
- D481,290 S * 10/2003 Thompson et al. D8/107

* cited by examiner

Primary Examiner—Raphael Barkai
(74) *Attorney, Agent, or Firm*—Alan Kamrath

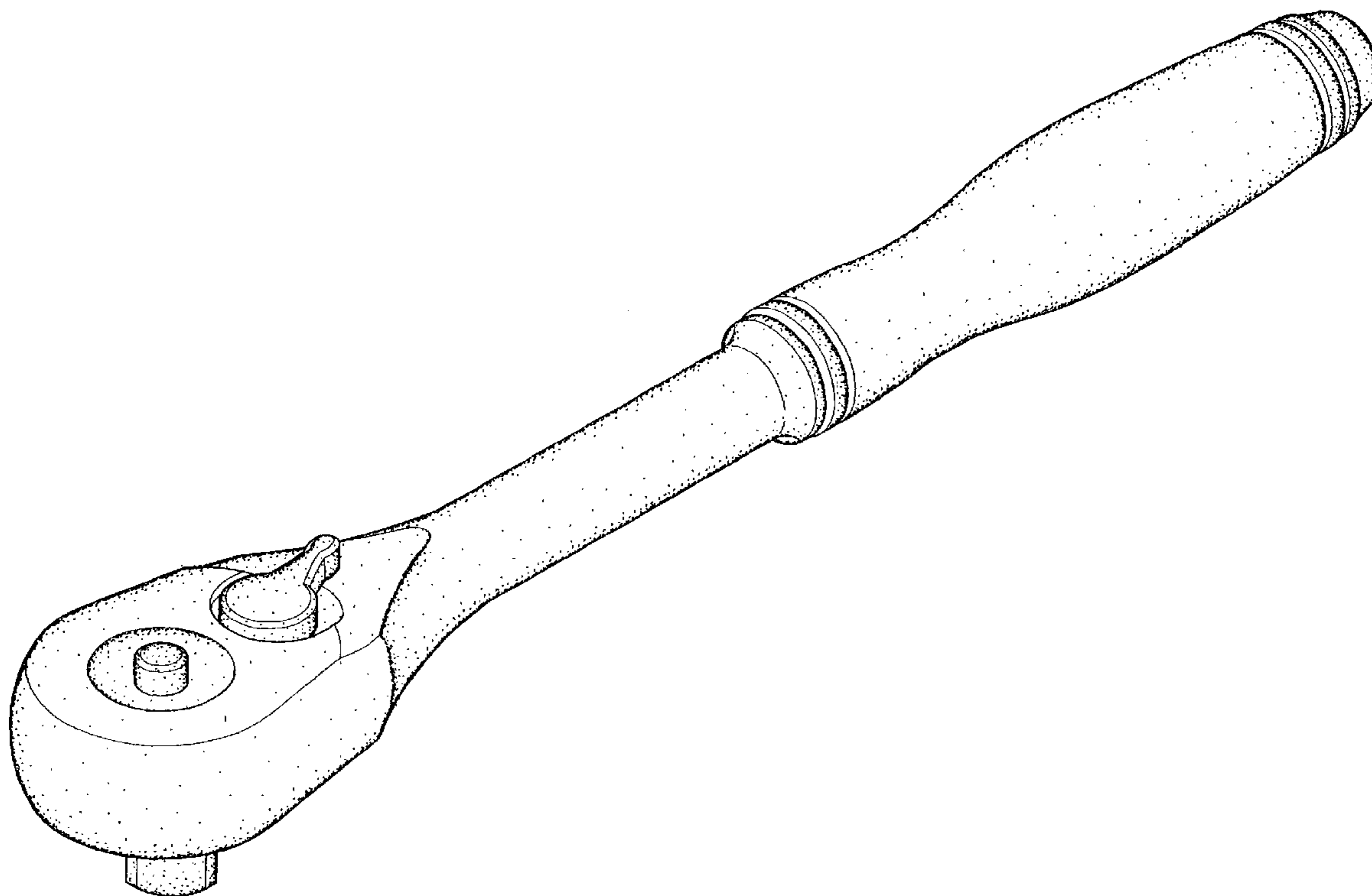
(57) **CLAIM**

The ornamental design for ratchet wrench, as shown and described.

DESCRIPTION

FIG. 1 is a perspective view of a ratchet wrench showing my new design;
FIG. 2 is a front view thereof; the opposite side being a mirror image of the shown.
FIG. 3 is a left view thereof;
FIG. 4 is a right view thereof;
FIG. 5 is a top view thereof; and,
FIG. 6 is bottom view thereof.

1 Claim, 3 Drawing Sheets



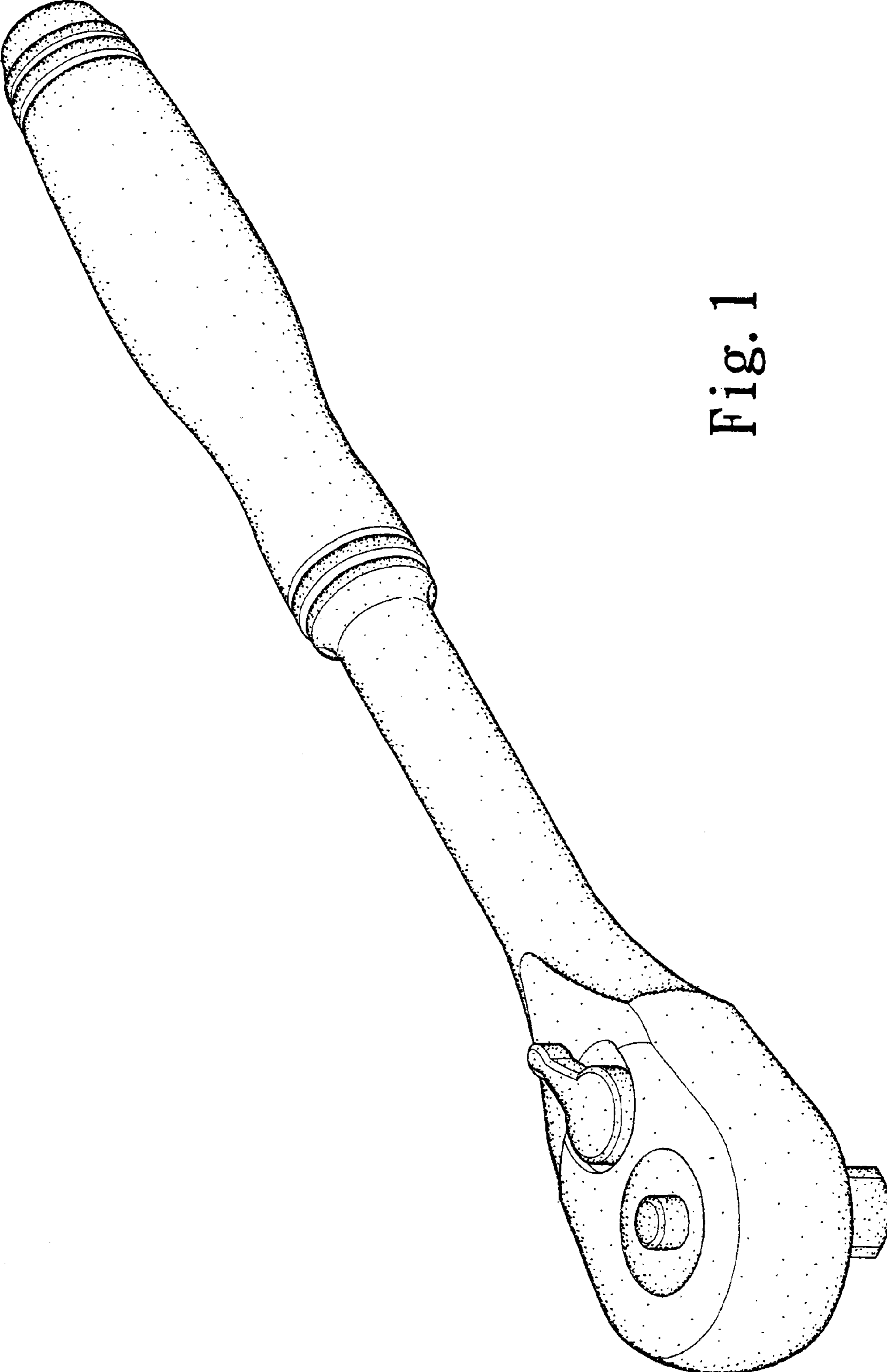


Fig. 1

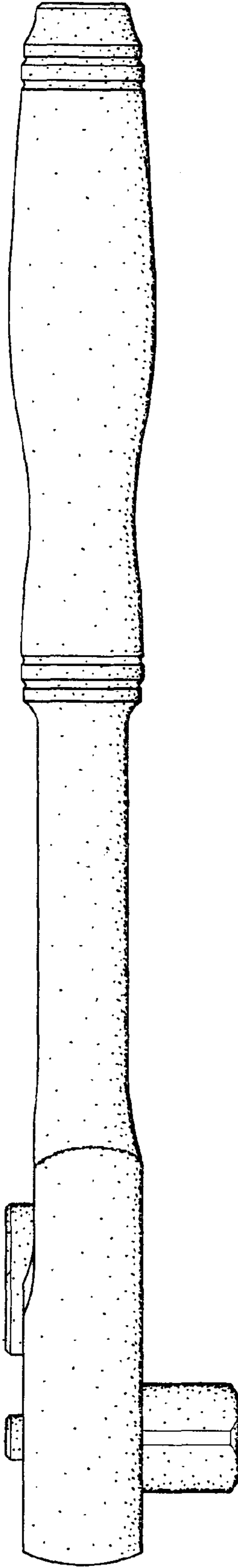


Fig. 2

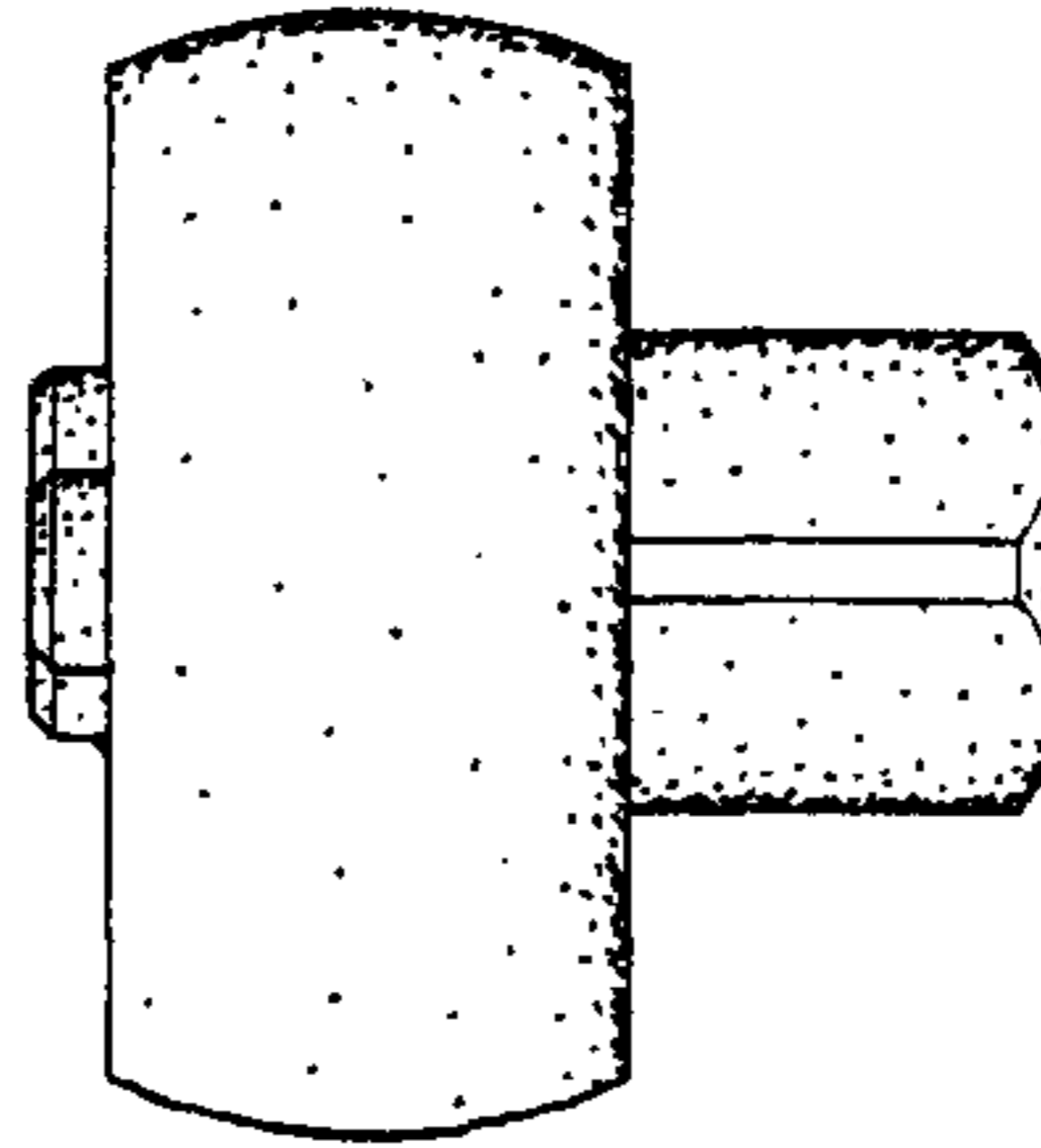


Fig. 3

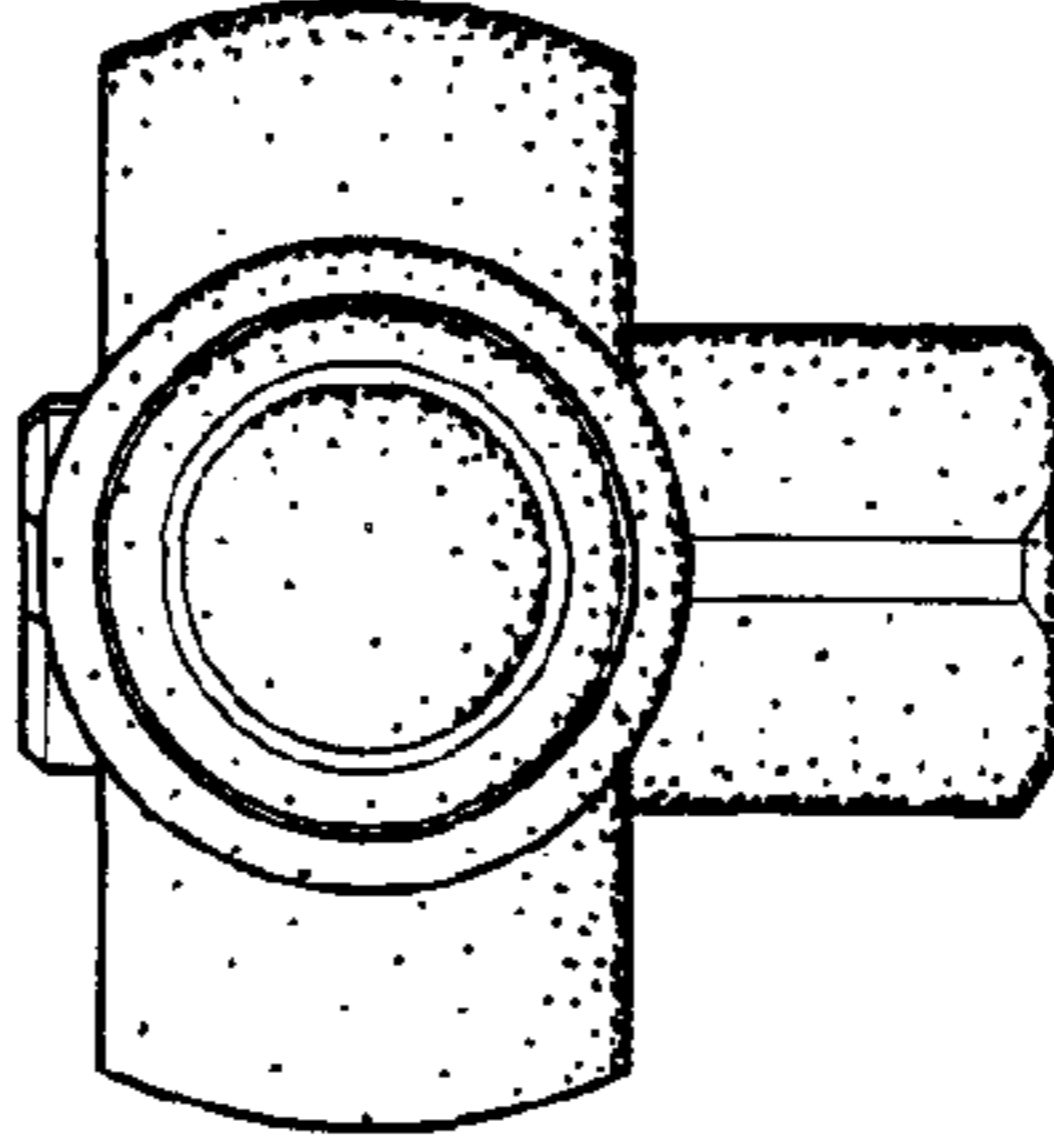


Fig. 4

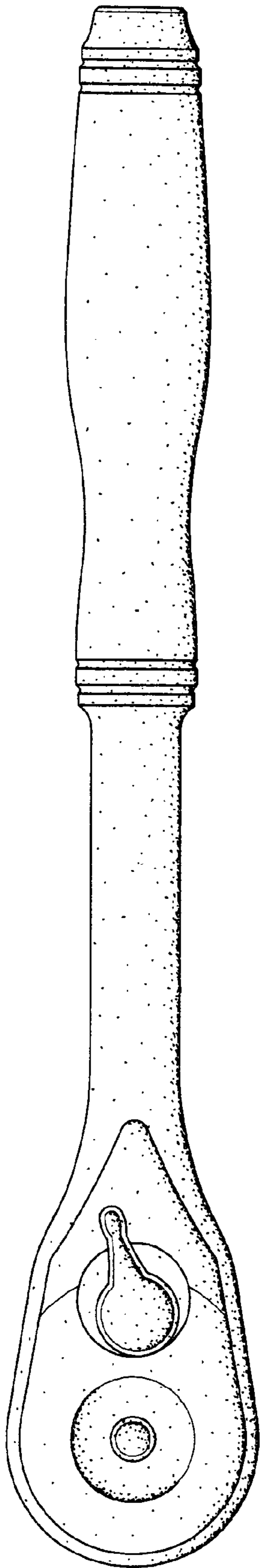


Fig. 5

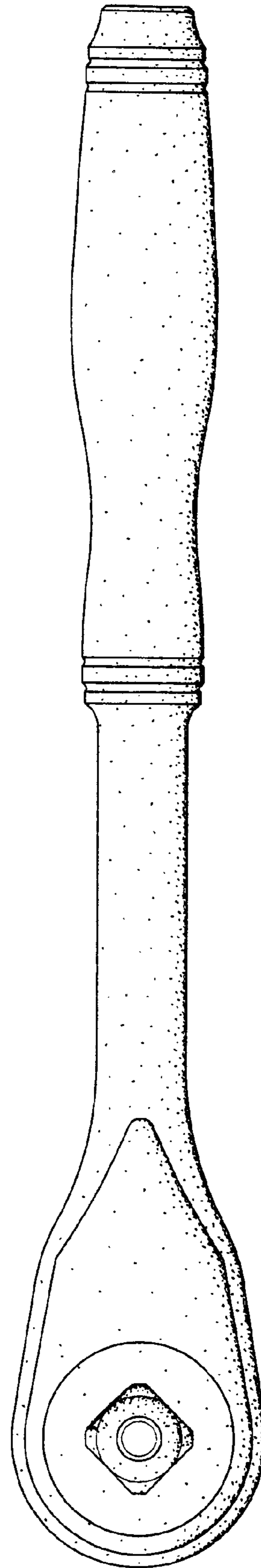


Fig. 6