

US00D493337S1

(12) **United States Design Patent**
Welch

(10) **Patent No.:** **US D493,337 S**
(45) **Date of Patent:** **** Jul. 27, 2004**

(54) **FORK AND SPOON**

(75) **Inventor:** **William Leonard Welch**, Tredington
(GB)

(73) **Assignee:** **Robert Welch Designs Limited** (GB)

(**) **Term:** **14 Years**

(21) **Appl. No.:** **29/178,993**

(22) **Filed:** **Apr. 3, 2003**

(30) **Foreign Application Priority Data**

Jan. 7, 2003 (GB) 3009840
Jan. 7, 2003 (GB) 3009841

(51) **LOC (7) Cl.** **07-03**

(52) **U.S. Cl.** **D7/663; D7/653**

(58) **Field of Search** **D7/642-645, 653-664,**
D7/401.2; 30/147-150, 322-328

(56) **References Cited**

U.S. PATENT DOCUMENTS

D182,220 S * 3/1958 **Berry, Jr.** D7/653
D182,221 S * 3/1958 **Berry, Jr.** D7/653
D240,697 S * 7/1976 **Richmond, II** D7/661

FOREIGN PATENT DOCUMENTS

GB 3011423 * 3/2003

* cited by examiner

Primary Examiner—Caron D. Veynar
(74) *Attorney, Agent, or Firm*—MacMillan, Sobanski &
Todd, LLC

(57) **CLAIM**

The ornamental design for a fork and spoon, as shown and described.

DESCRIPTION

FIG. 1 is a perspective view as seen from the upper left of a fork showing my new design;

FIG. 2 is a left view thereof, the right side being a mirror image thereof;

FIG. 3 is a top view thereof;

FIG. 4 is a cross sectional view as taken along line 4—4 of FIG. 3;

FIG. 5 is a cross sectional view as taken along line 5—5 of FIG. 3;

FIG. 6 is a cross sectional view as taken along line 6—6 of FIG. 3;

FIG. 7 is a cross sectional view as taken along line 7—7 of FIG. 3;

FIG. 8 is a cross sectional view as taken along line 8—8 of FIG. 3;

FIG. 9 is a perspective view as seen from the upper left of a spoon showing my new design;

FIG. 10 is a left view thereof, the right side being a mirror image thereof;

FIG. 11 is a top view thereof;

FIG. 12 is a cross sectional view as taken along line 12—12 of FIG. 11;

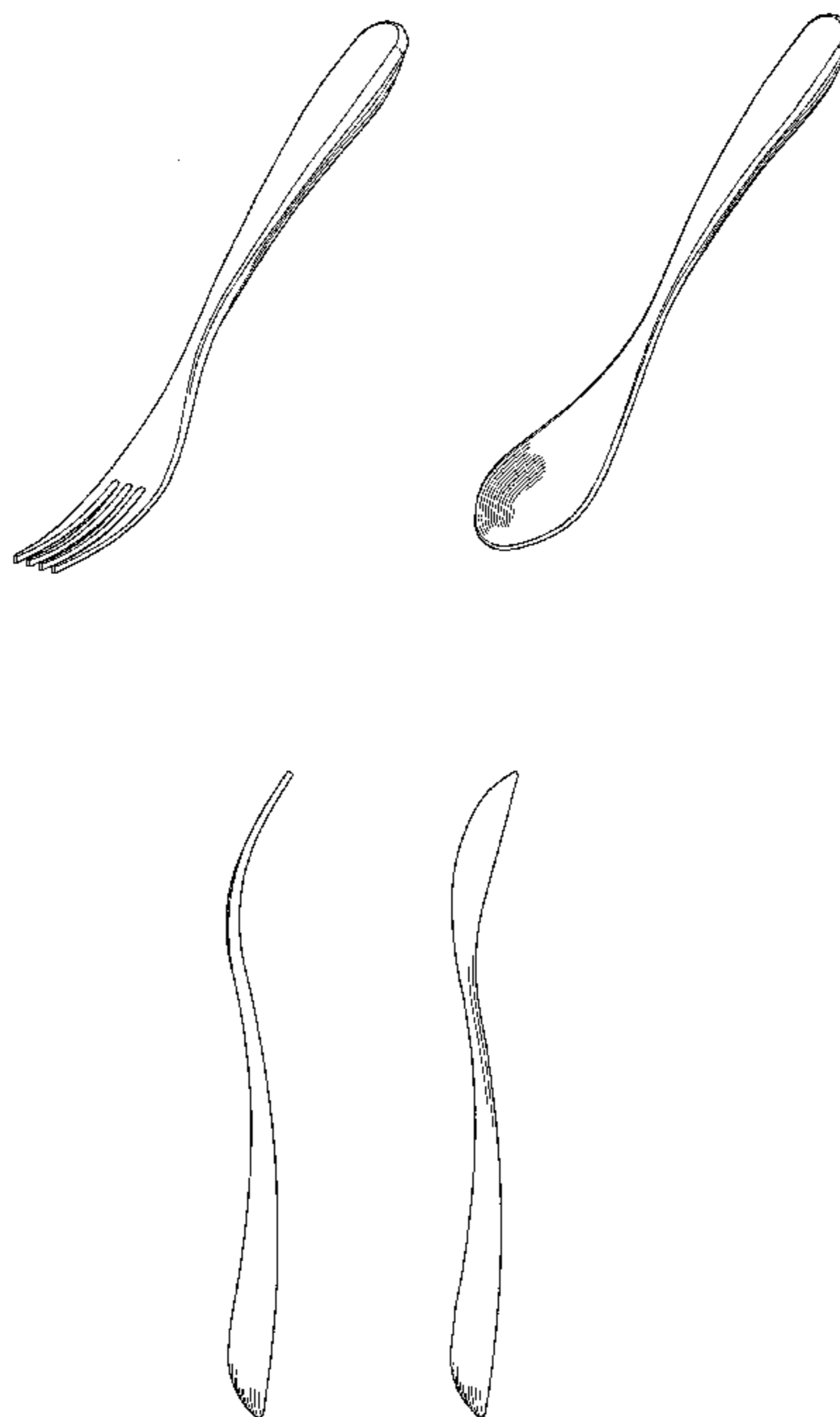
FIG. 13 is a cross sectional view as taken along line 13—13 of FIG. 11;

FIG. 14 is a cross sectional view as taken along line 14—14 of FIG. 11;

FIG. 15 is a cross sectional view as taken along line 15—15 of FIG. 11; and,

FIG. 16 is a cross sectional view as taken along line 16—16 of FIG. 11.

1 Claim, 4 Drawing Sheets



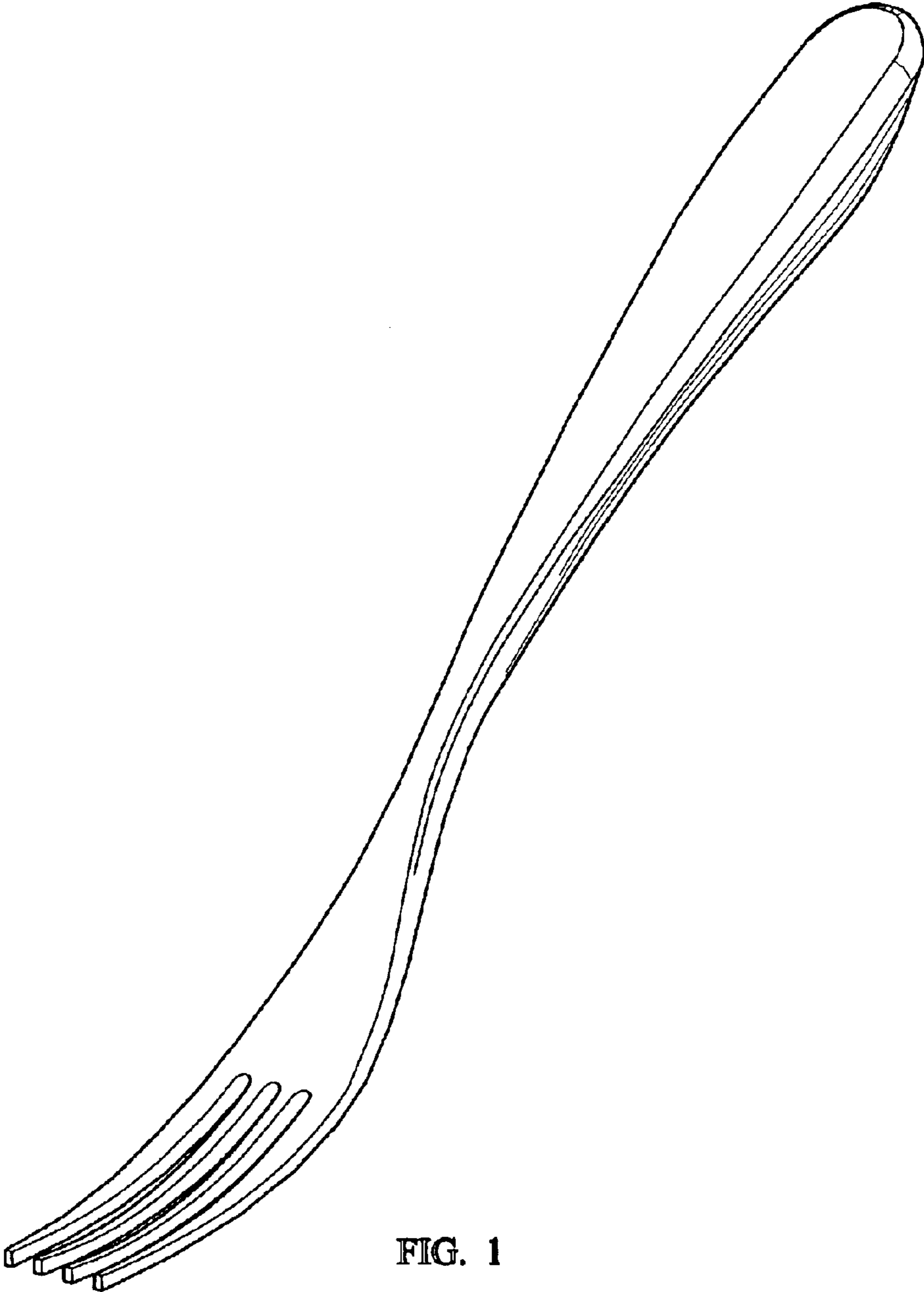


FIG. 1



FIG. 2



FIG. 4



FIG. 5



FIG. 6



FIG. 7



FIG. 8

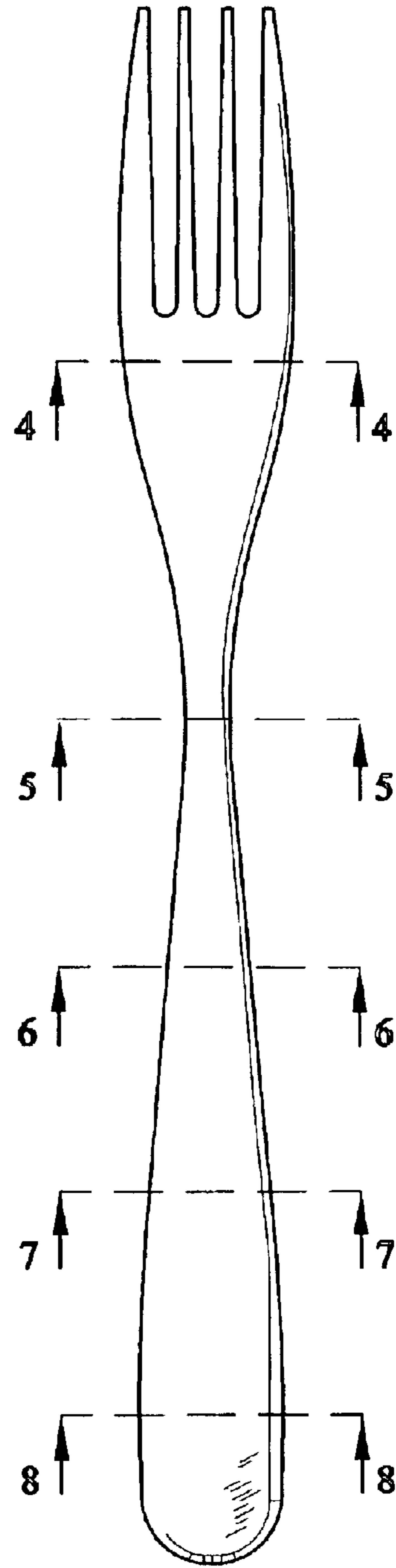


FIG. 3

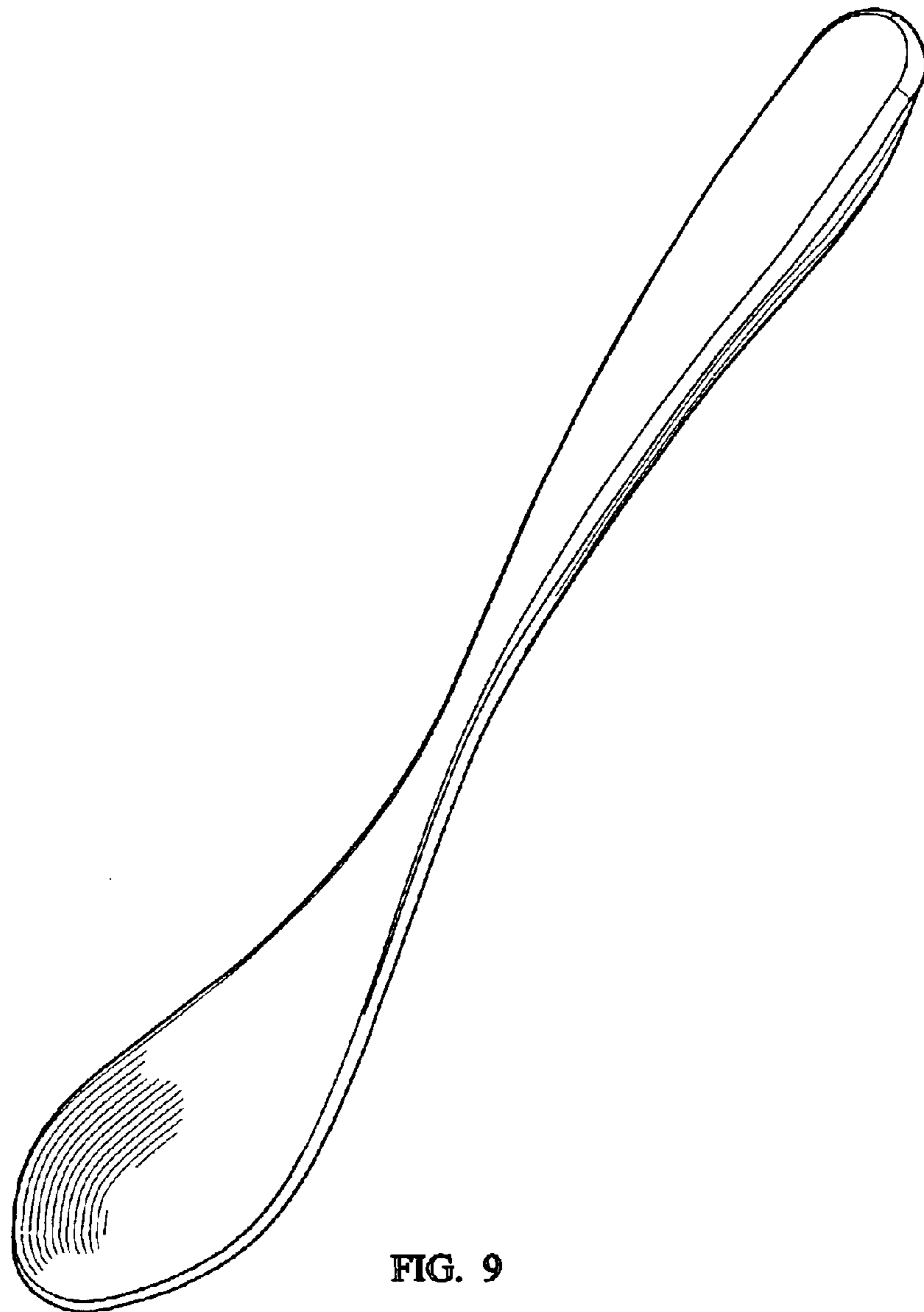




FIG. 10



FIG. 12



FIG. 13



FIG. 14



FIG. 15

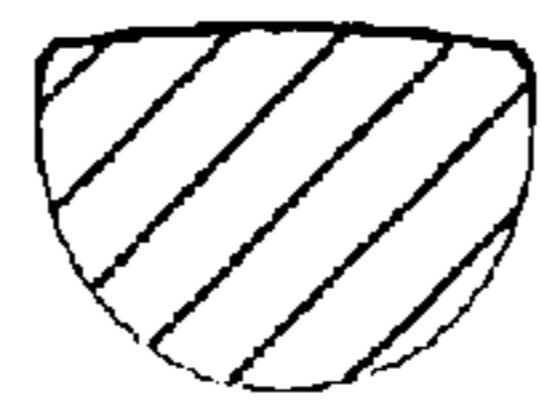


FIG. 16

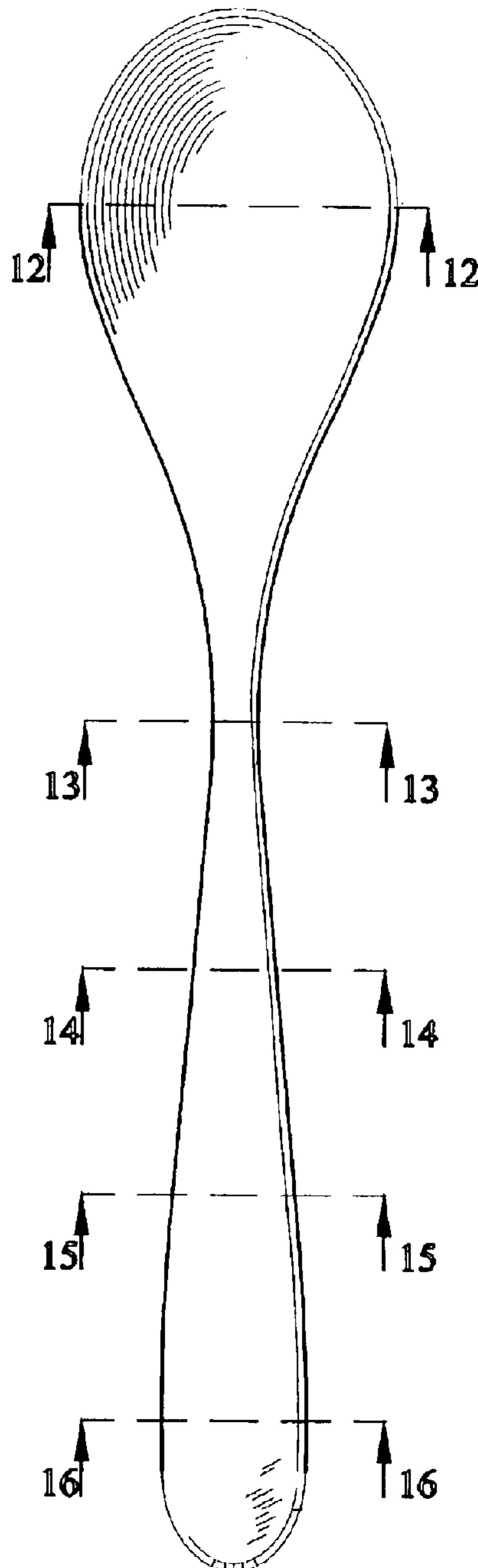


FIG. 11