

US00D493331S1

(12) **United States Design Patent**  
**Munoz**

(10) **Patent No.:** **US D493,331 S**  
(45) **Date of Patent:** **\*\* Jul. 27, 2004**

(54) **FAUCET**

(75) **Inventor:** **Raul Munoz, Lemont, IL (US)**

(73) **Assignee:** **Bunn-O-Matic Corporation,**  
**Springfield, IL (US)**

(\*\*) **Term:** **14 Years**

(21) **Appl. No.:** **29/174,971**

(22) **Filed:** **Jan. 27, 2003**

(51) **LOC (7) Cl.** ..... **07-99**

(52) **U.S. Cl.** ..... **D7/398; D7/397; D7/394**

(58) **Field of Search** ..... **D7/397, 398, 393,**  
**D7/394, 350, 312, 313; 222/183, 638, 146.5,**  
**400.7, 146.6; 99/283; 220/752; D23/238**

(56) **References Cited**

**U.S. PATENT DOCUMENTS**

D187,905 S	*	5/1960	Seltsam	.....	D7/398
D189,904 S	*	3/1961	Seltsam	.....	D7/398
3,608,471 A		9/1971	Martin	.....	99/283
3,865,276 A	*	2/1975	Thompson	.....	222/146.6
D271,368 S	*	11/1983	Belland et al.	.....	D7/398
D377,581 S	*	1/1997	Rohrer	.....	D7/393
D395,376 S	*	6/1998	Montgelard	.....	D7/393
D396,994 S	*	8/1998	Carrino	.....	D7/393
D400,391 S	*	11/1998	Hulley	.....	D7/313
5,944,225 A		8/1999	Kawolics	.....	222/131
6,070,771 A		6/2000	Hart et al.	.....	222/638
6,089,409 A		7/2000	Hart et al.	.....	222/146.5
6,139,888 A		10/2000	Knepler	.....	426/231

6,158,626 A	*	12/2000	Guerra et al.	.....	222/183
6,176,562 B1		1/2001	Hart	.....	312/351.1
D461,092 S	*	8/2002	Coudurier	.....	D7/393
D463,194 S	*	9/2002	Busick et al.	.....	D7/313
D475,888 S	*	6/2003	Celli	.....	D7/398
2001/0032954 A1		10/2001	Kawolics et al.	.....	251/262

**OTHER PUBLICATIONS**

“No-Drip’ Faucets by Tomlinson”, Tomlinson Worldwide Delivery & Service.

\* cited by examiner

*Primary Examiner*—M N Pandozzi

(74) *Attorney, Agent, or Firm*—Barnes & Thornburg

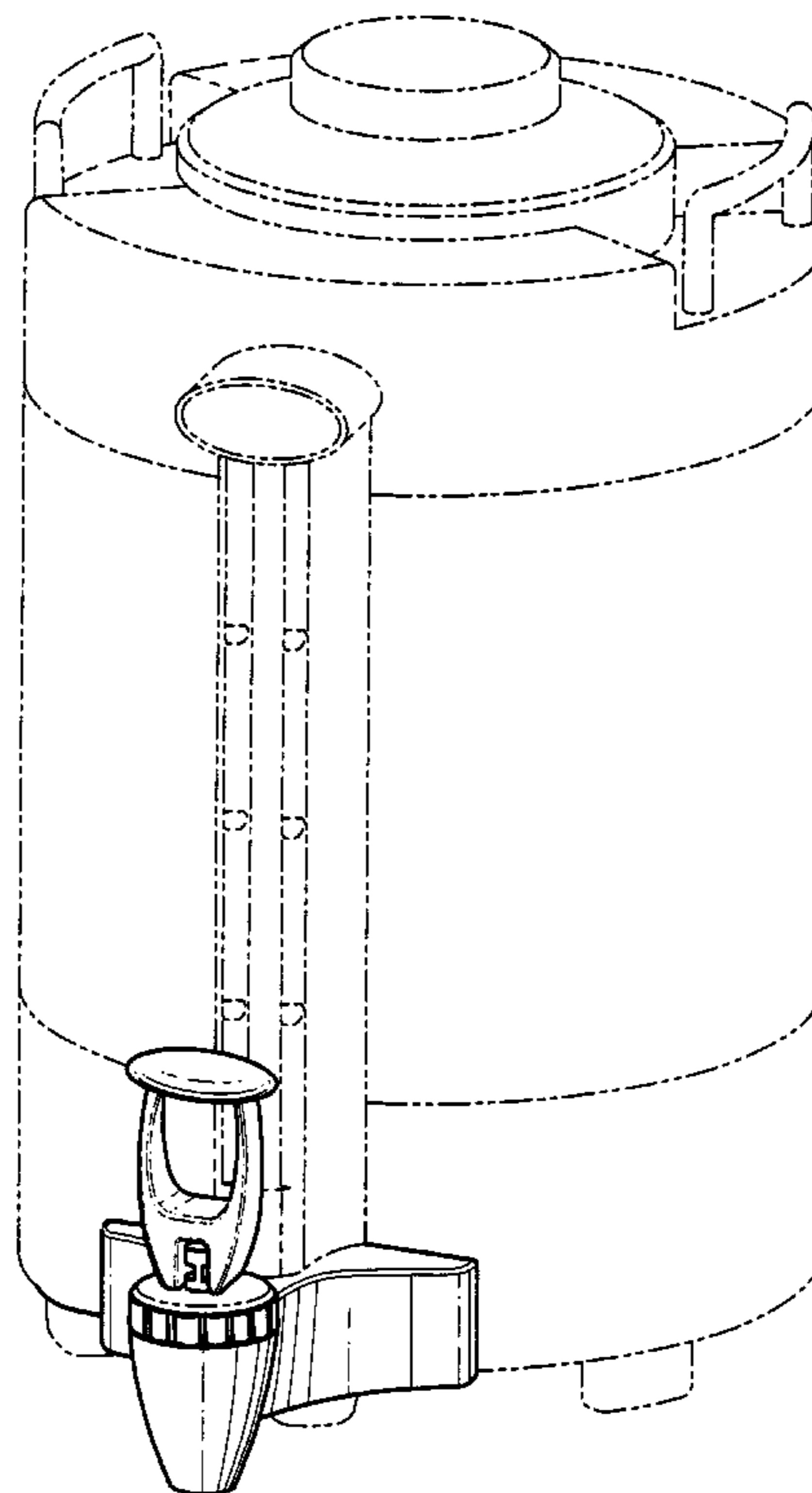
(57) **CLAIM**

What is claimed is the ornamental design for a faucet, as shown and described.

**DESCRIPTION**

FIG. 1 is a perspective view of the faucet;  
FIG. 2 is a top plan view thereof;  
FIG. 3 is a bottom plan view thereof;  
FIG. 4 is a front elevational view thereof;  
FIG. 5 is a right side view of the faucet, the left side view is not shown as it is a mirror image of the right side view; and,  
FIG. 6 is a rear elevational view thereof.  
The broken lines are shown in the views for illustrative purposes only and form no part of the claimed invention.

**1 Claim, 2 Drawing Sheets**



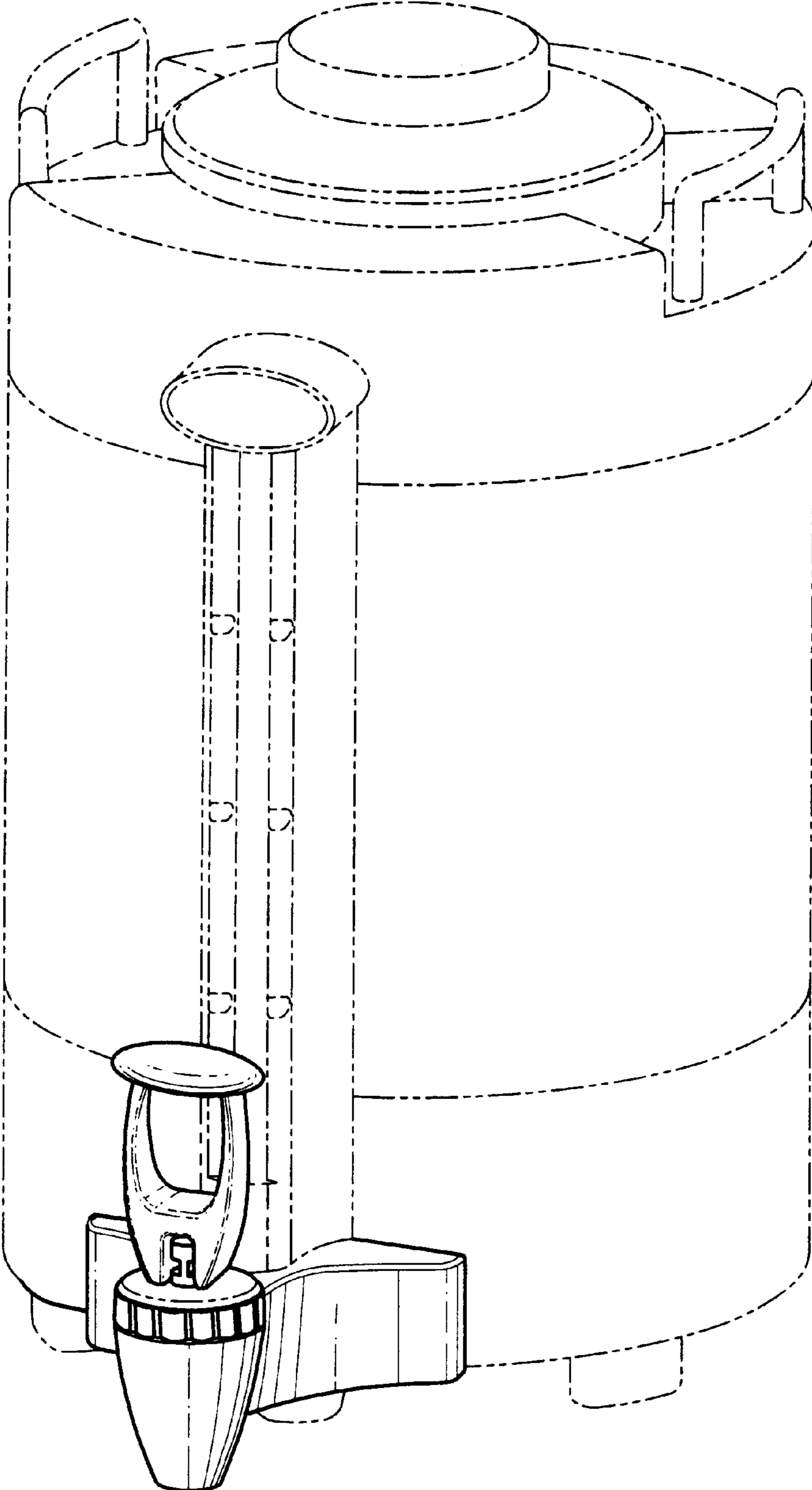


FIG. 1

FIG. 2

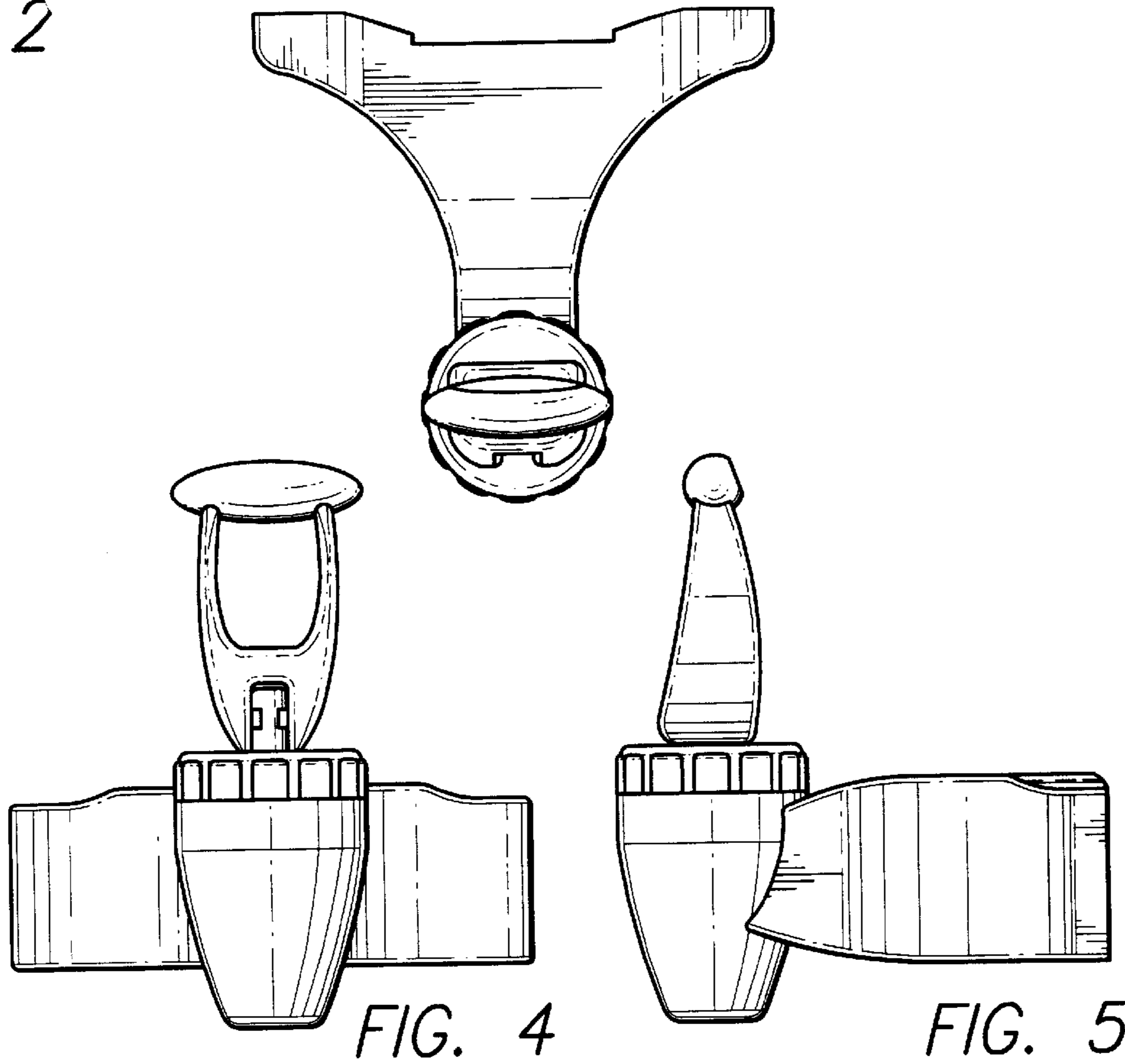


FIG. 4

FIG. 5

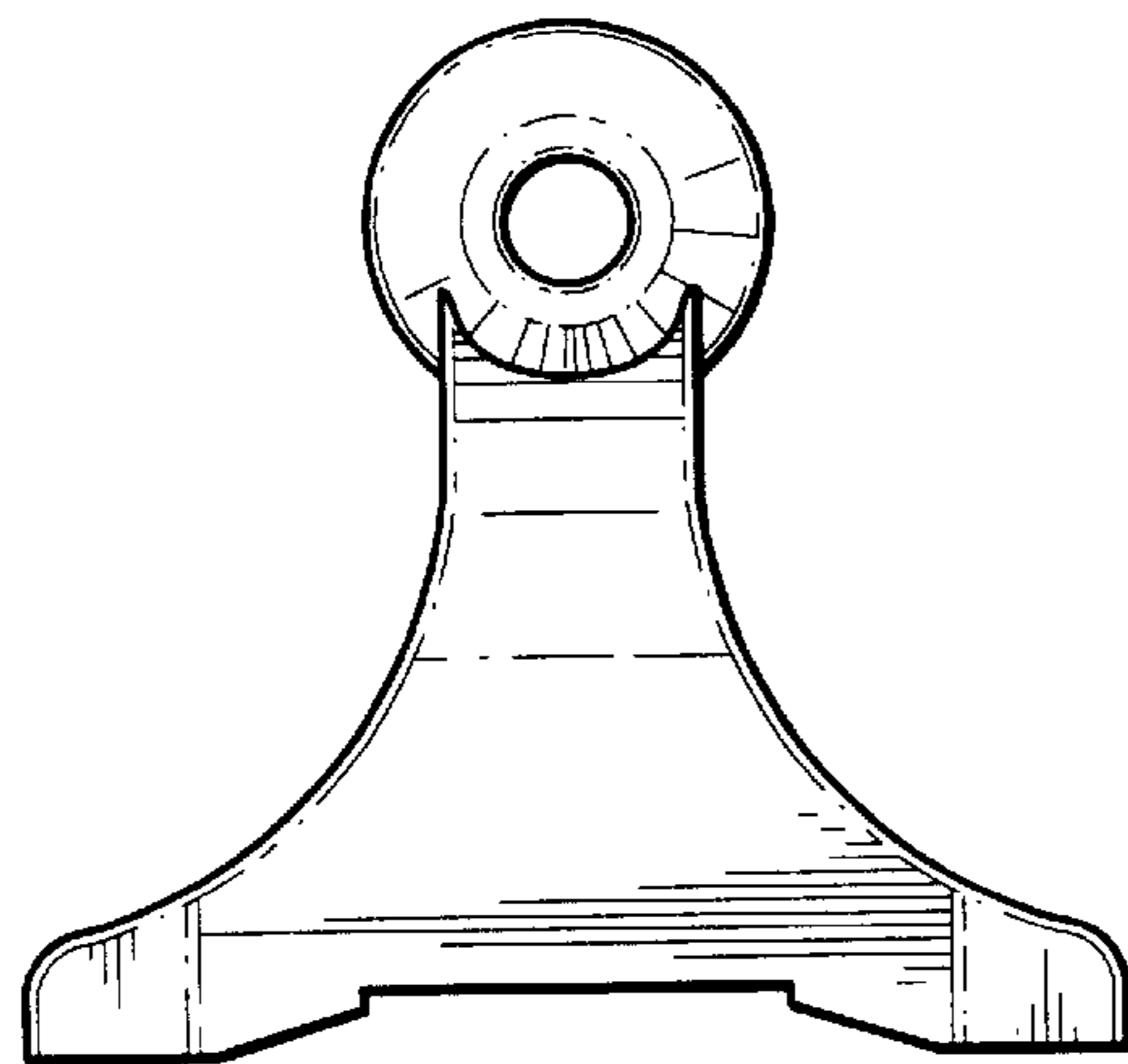


FIG. 3

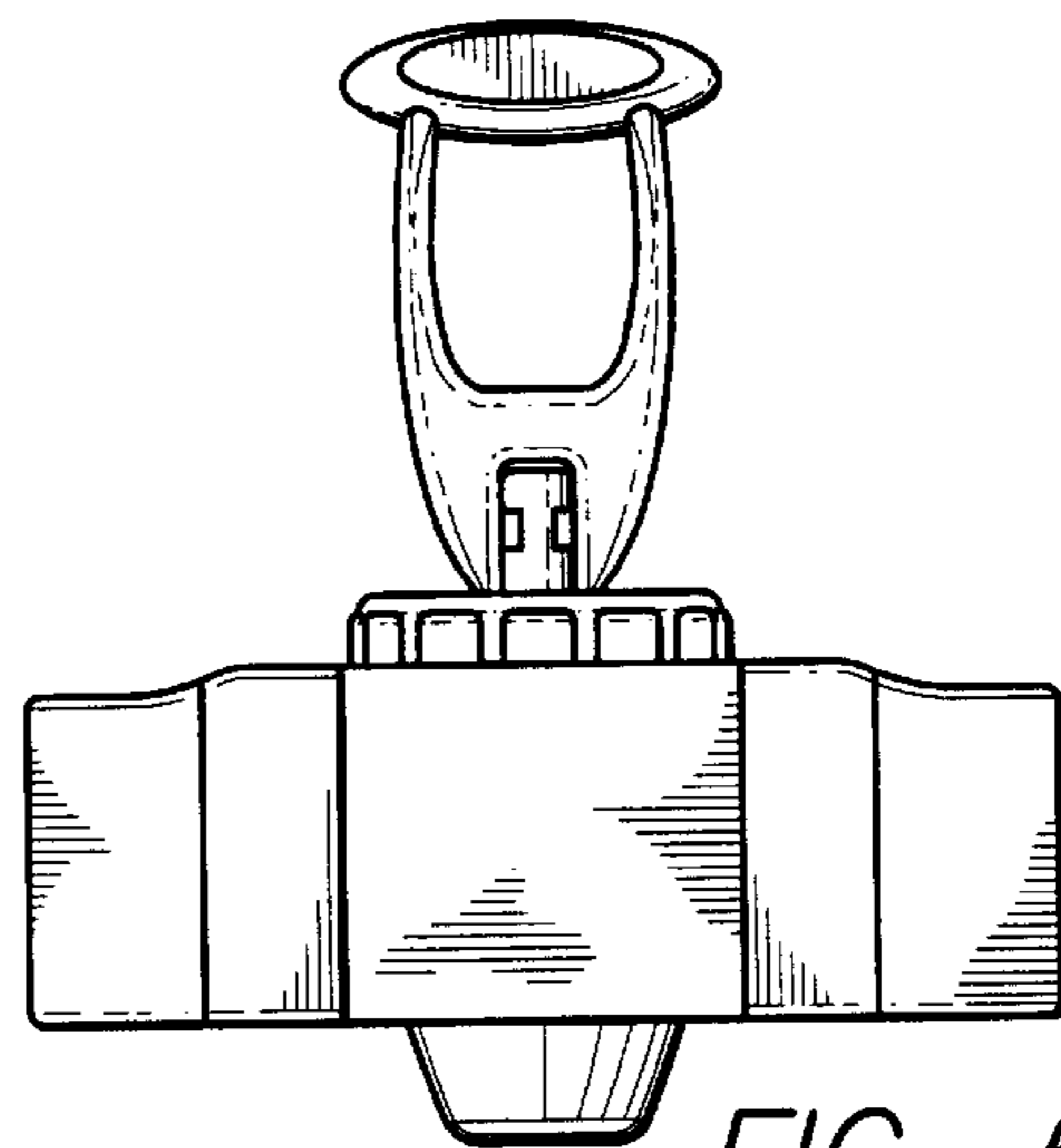


FIG. 6