

US00D493329S1

(12) **United States Design Patent**
Feil

(10) **Patent No.:** **US D493,329 S**
(45) **Date of Patent:** **** Jul. 27, 2004**

(54) **BLENDER**

(75) **Inventor:** **Rolf Feil, Günzburg (DE)**

(73) **Assignee:** **BSH Bosch und Siemens Hausgerate GmbH, Munich (DE)**

(**) **Term:** **14 Years**

(21) **Appl. No.:** **29/187,399**

(22) **Filed:** **Jul. 28, 2003**

(30) **Foreign Application Priority Data**

Jan. 31, 2003 (DE) 403 00 896

(51) **LOC (7) Cl.** **31-00**

(52) **U.S. Cl.** **D7/378**

(58) **Field of Search** D7/376-386; 241/30,
241/33, 101.01-101.2, 274, 277, 285.1-285.3;
366/64-67, 129, 130, 197-207, 219-221,
241-254, 341

(56) **References Cited**

U.S. PATENT DOCUMENTS

D199,888 S	*	12/1964	Dewenter	D7/378
D216,237 S	*	12/1969	Levin	D7/386
D272,120 S	*	1/1984	Sawada et al.	D7/384
D339,715 S	*	9/1993	Barrault	D7/378
D374,375 S	*	10/1996	Breur et al.	D7/386
D389,696 S	*	1/1998	Feil	D7/386
D404,606 S	*	1/1999	Huang	D7/378
D433,595 S	*	11/2000	Naft et al.	D7/386
D443,468 S	*	6/2001	Blaise	D7/386

D448,236 S	*	9/2001	Murray	D7/326
D448,967 S	*	10/2001	Planca et al.	D7/378
D453,443 S	*	2/2002	Hoare et al.	D7/378

* cited by examiner

Primary Examiner—Caron D. Veynar

(74) *Attorney, Agent, or Firm*—Laurence A. Greenberg;
Werner H. Stemer; Ralph E. Locher

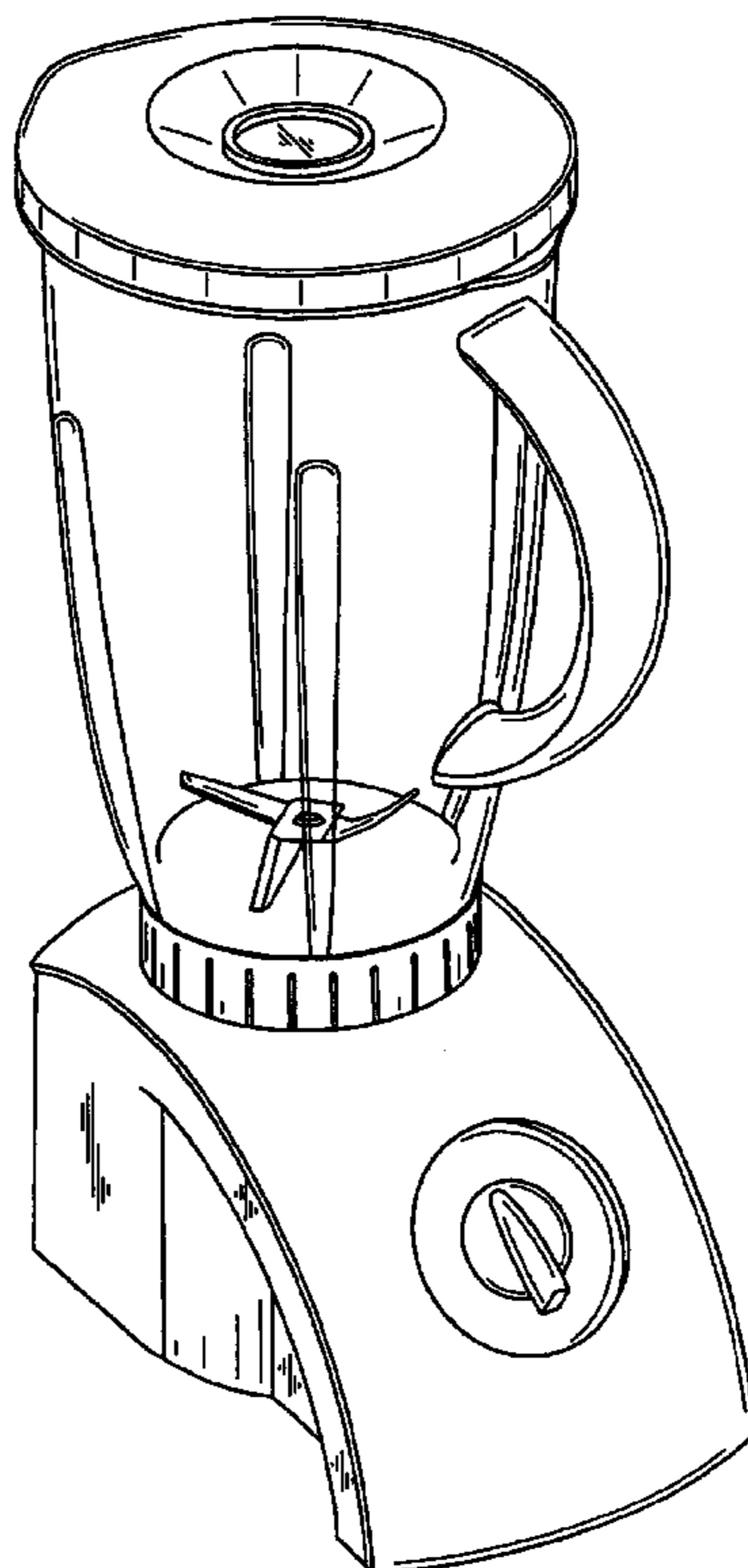
(57) **CLAIM**

The ornamental design for a blender, as shown and described.

DESCRIPTION

FIG. 1 is a front side view of the blender with a handle in a side position;
 FIG. 2 is a right side view thereof with the handle in a front position;
 FIG. 3 is a rear side view thereof with the handle in the side position;
 FIG. 4 is a top side view thereof with the handle in the side position;
 FIG. 5 is a bottom rear perspective view thereof with the handle in the front position;
 FIG. 6 is a bottom side view thereof with the handle in the side position;
 FIG. 7 is a left side view thereof with the handle in the side position; and,
 FIG. 8 is top front perspective view thereof with the handle in the front position.

1 Claim, 8 Drawing Sheets



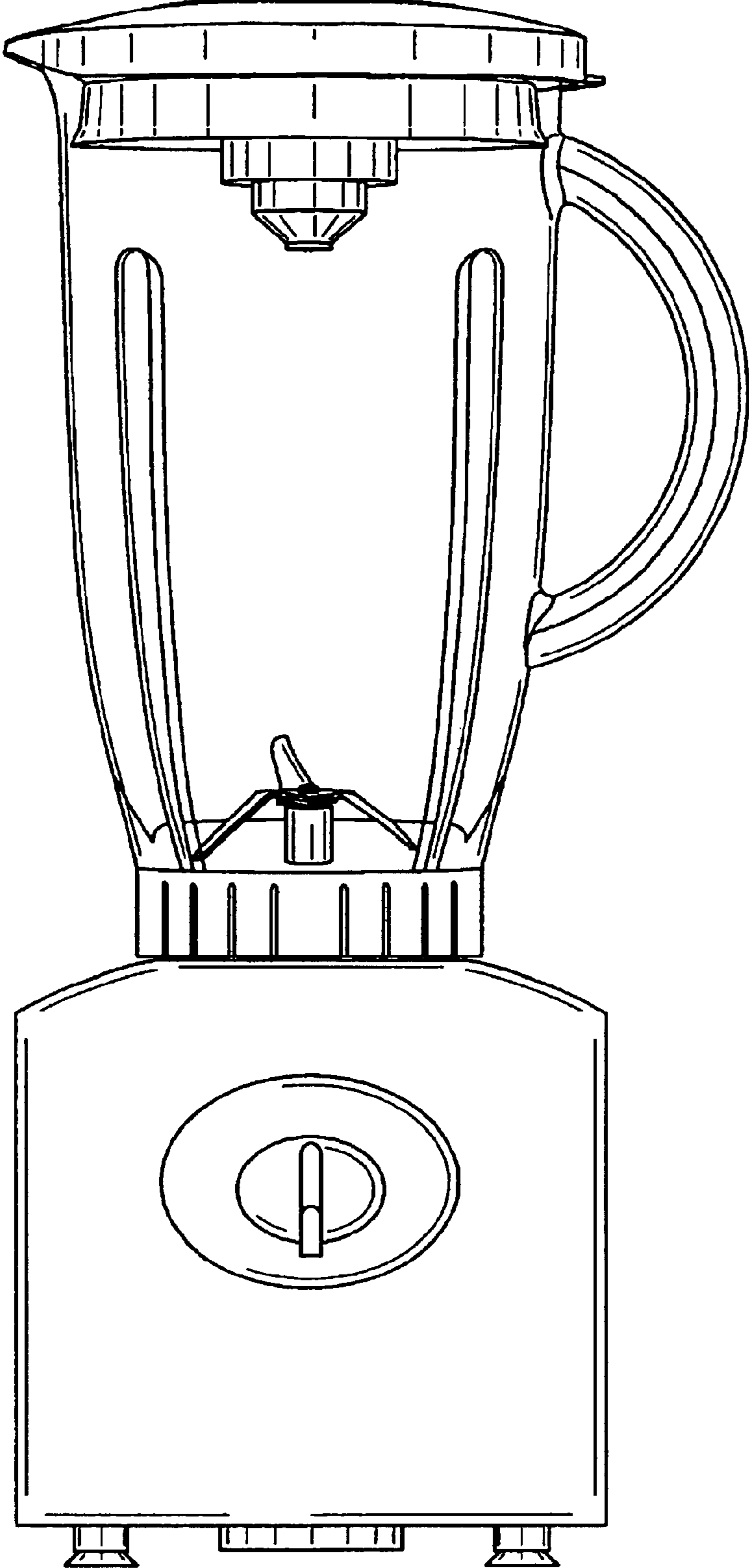


Fig. 1

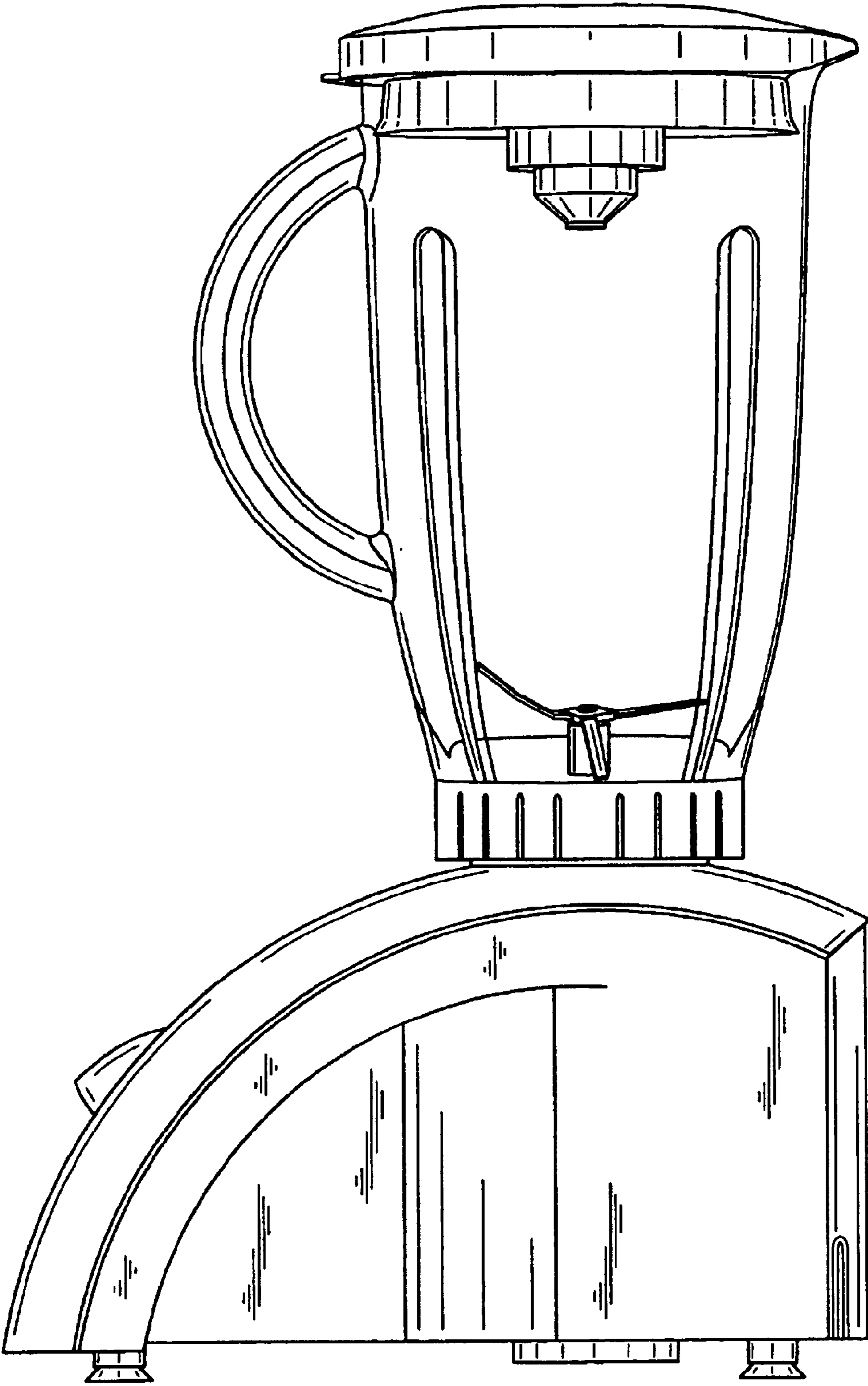


Fig. 2

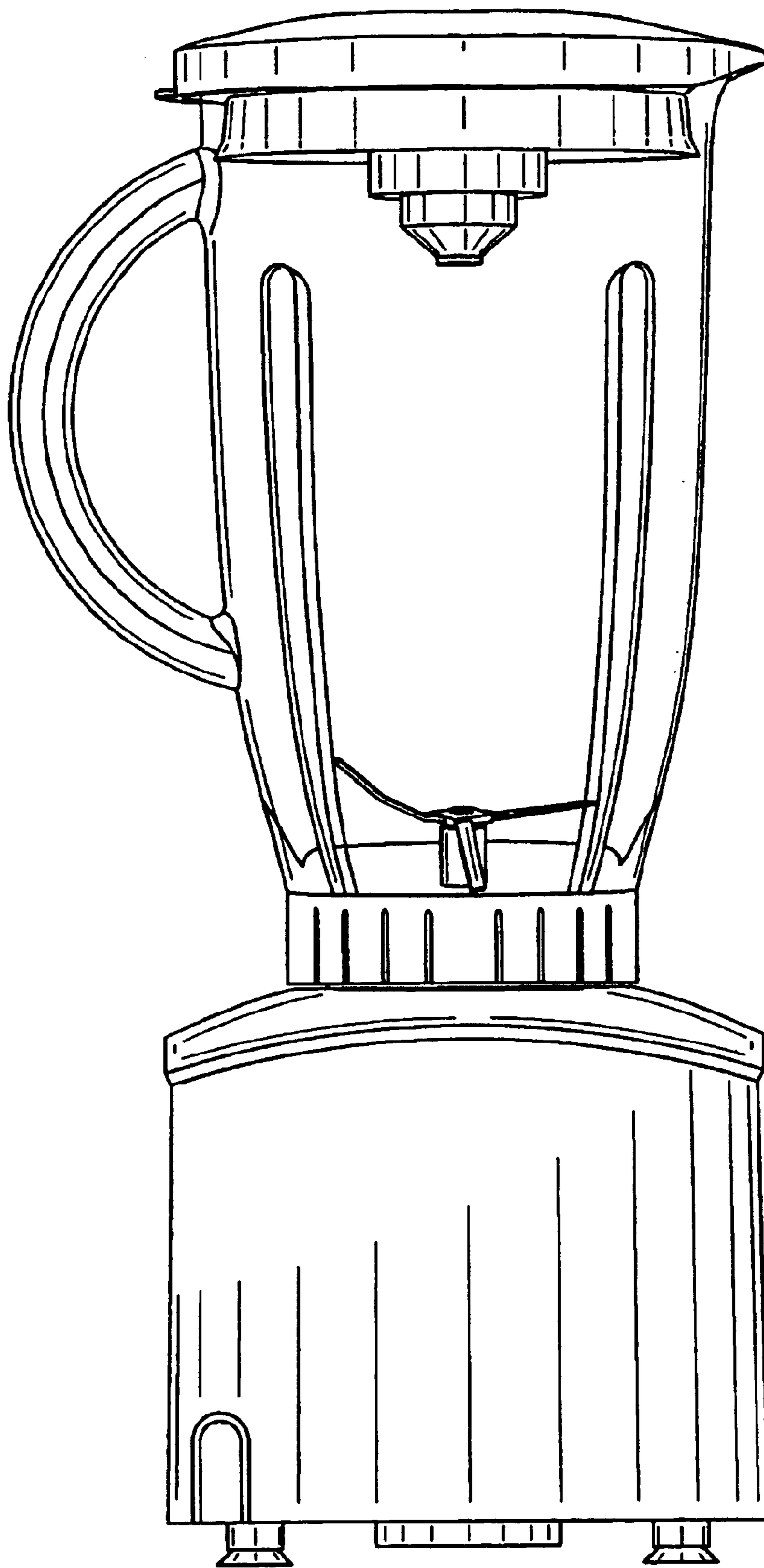


Fig. 3

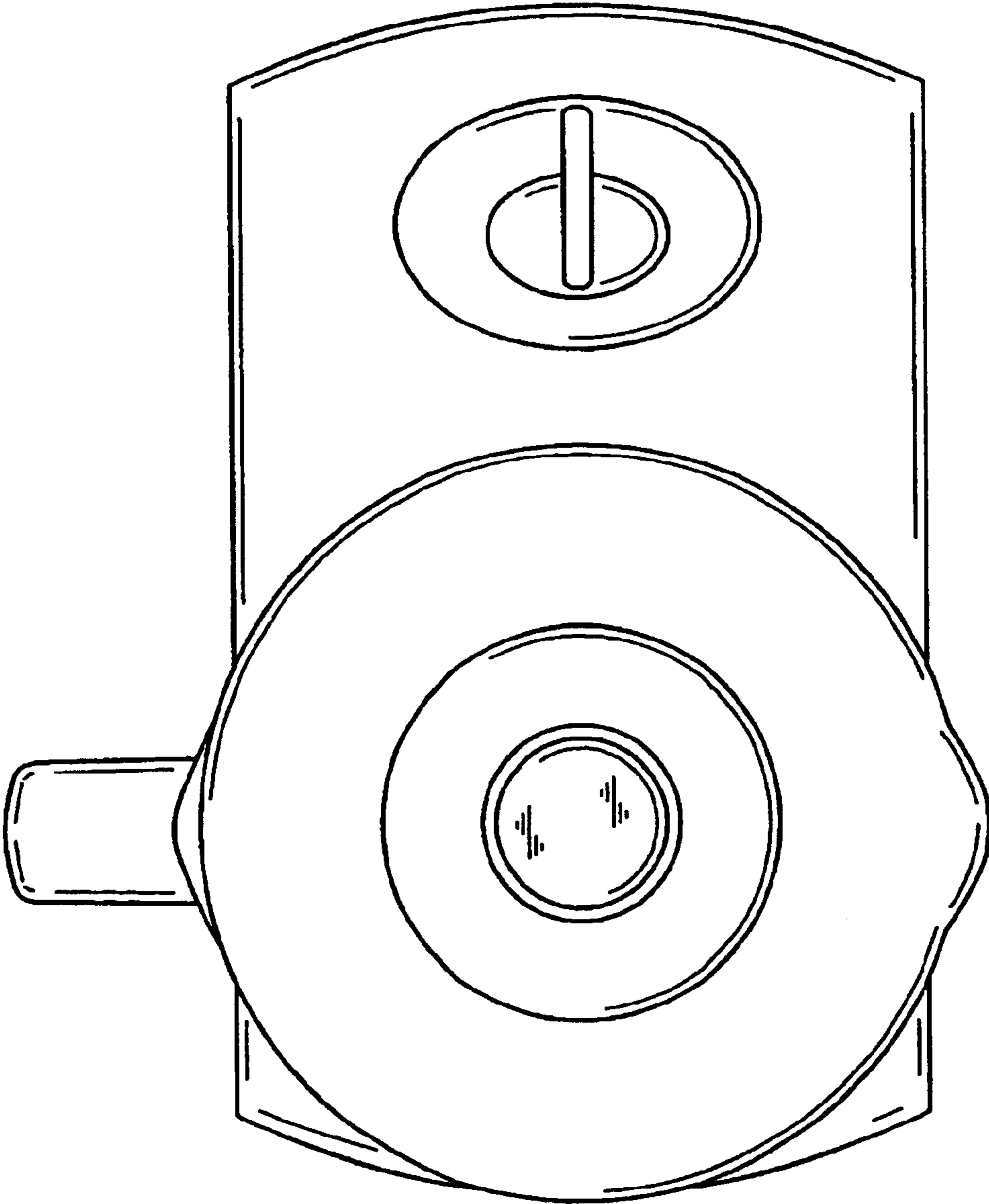


Fig. 4

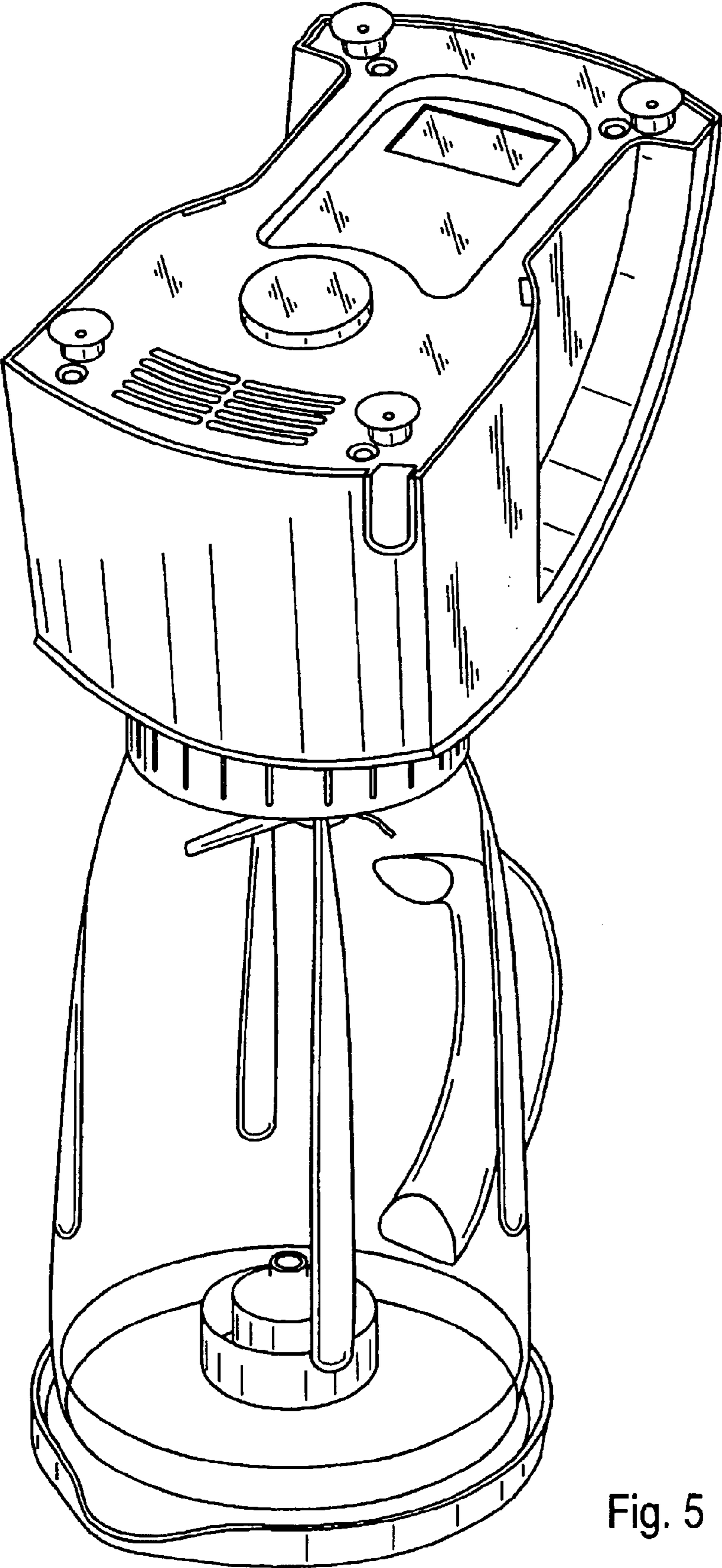


Fig. 5

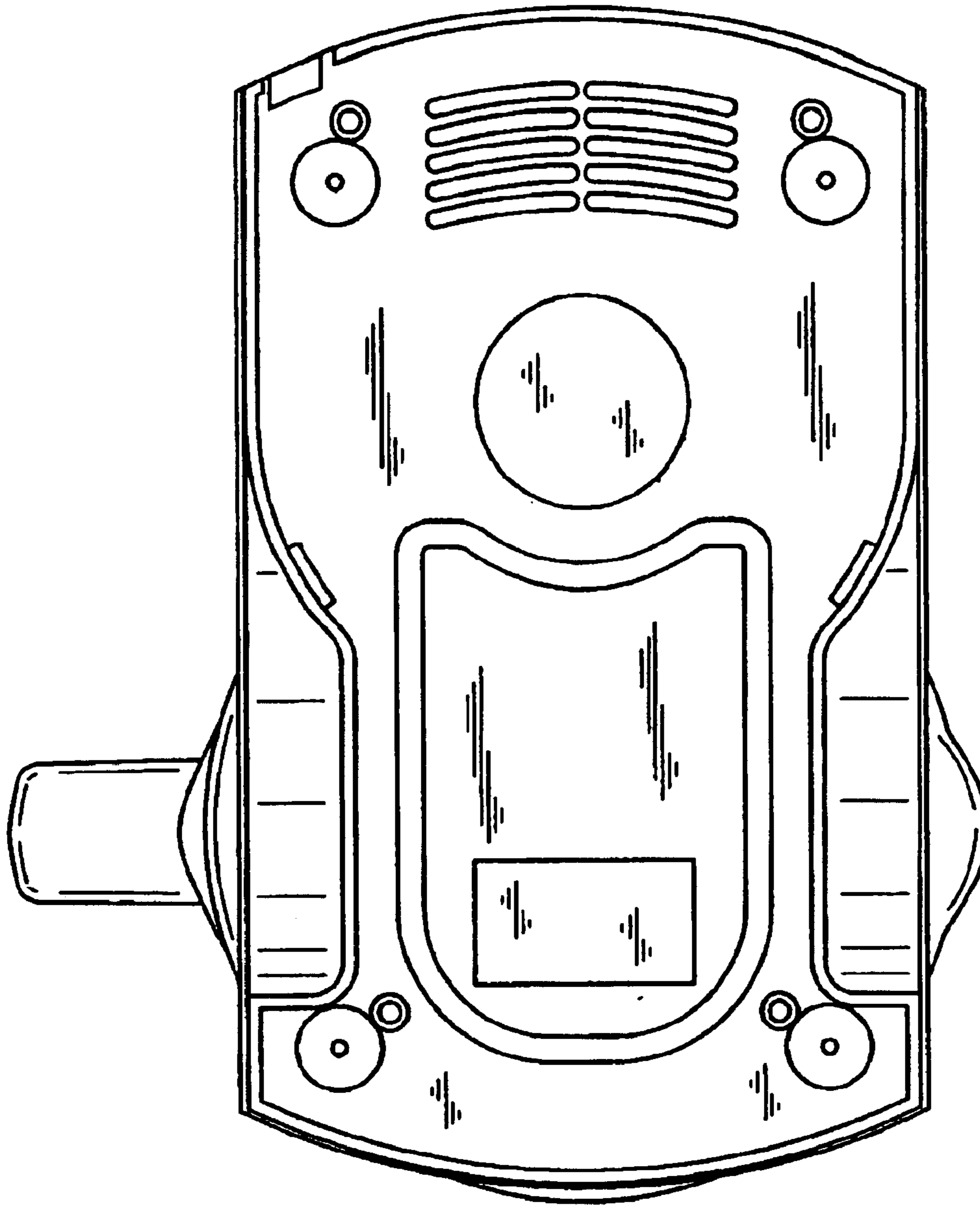


Fig. 6

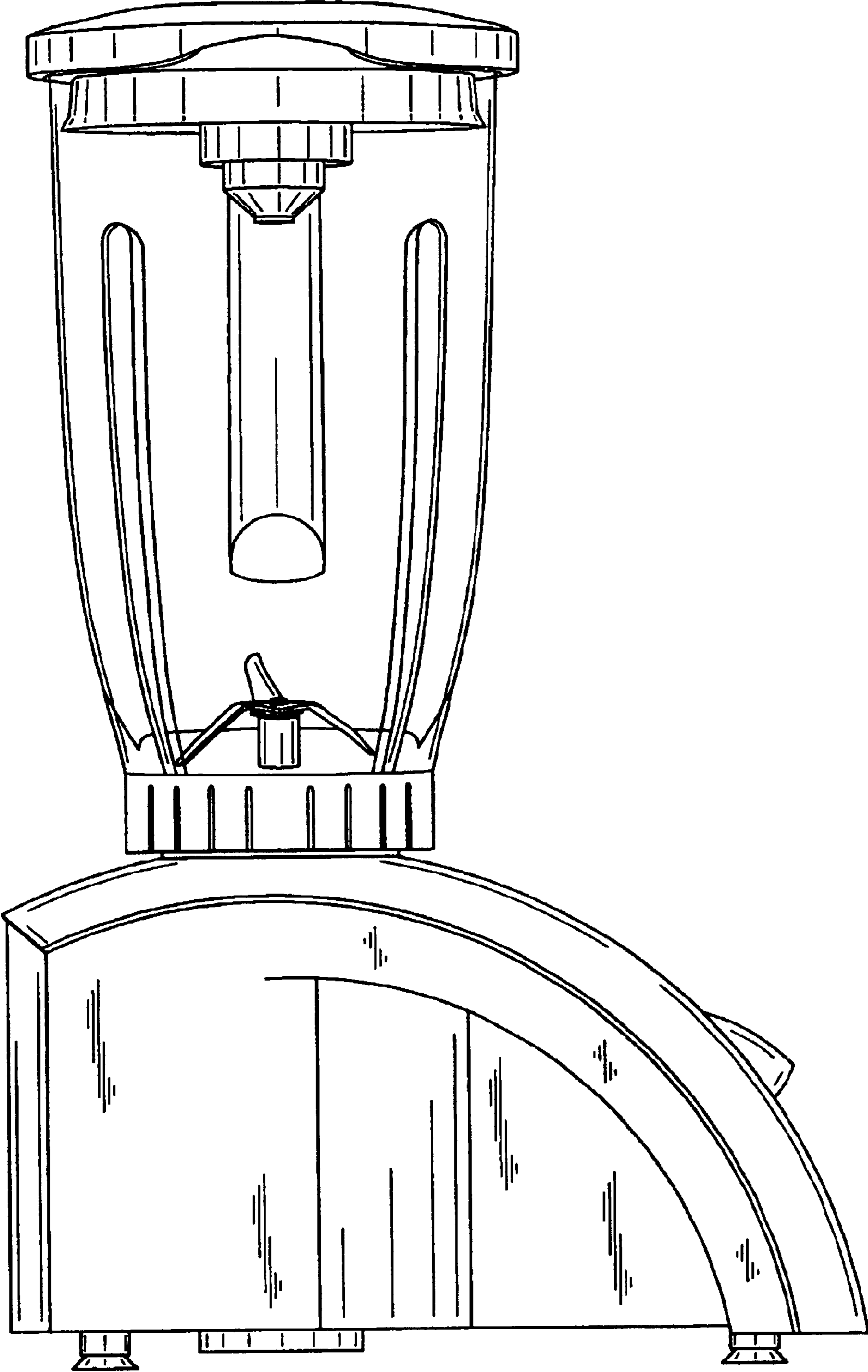


Fig. 7

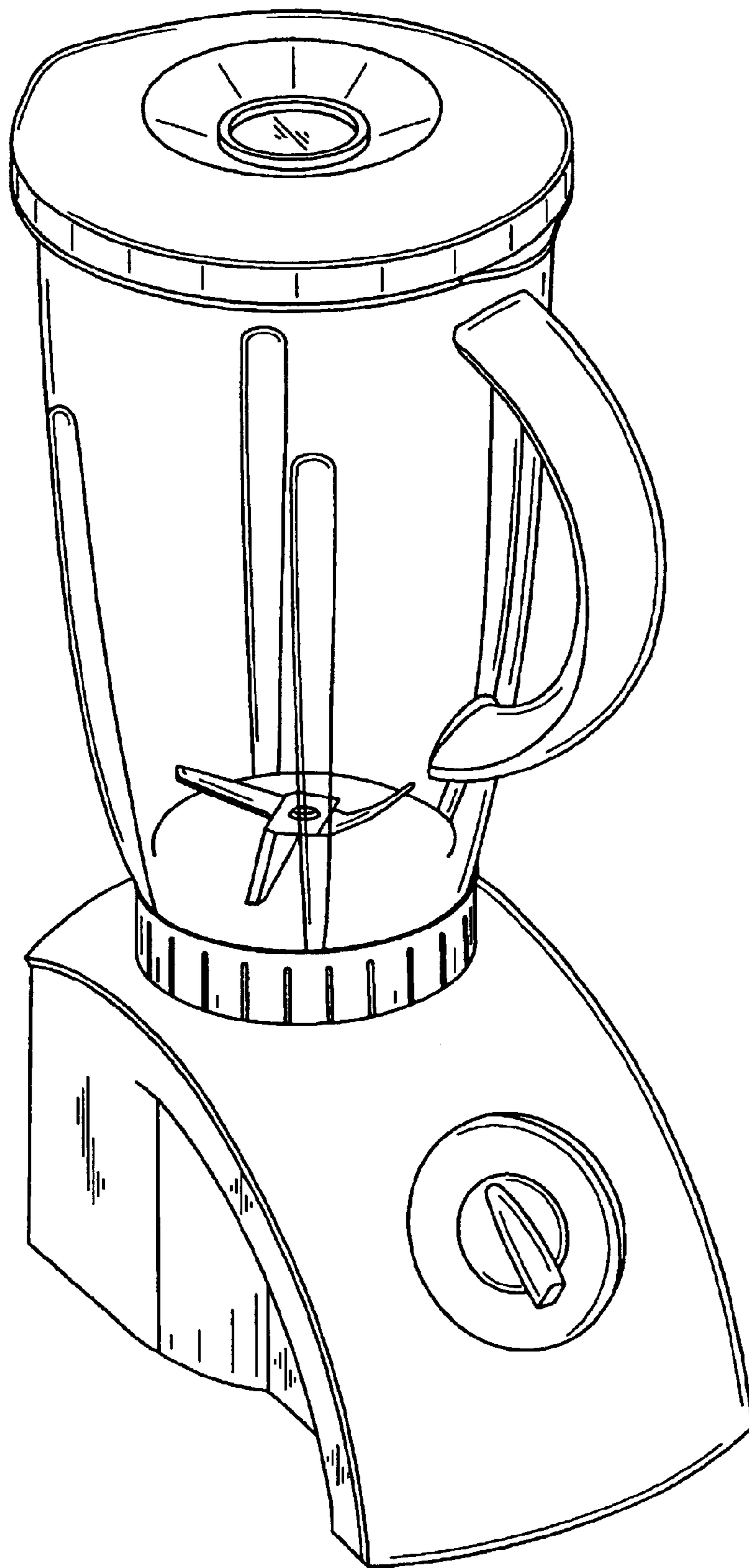


Fig. 8