

US00D493318S1

(12) **United States Design Patent**  
**Bauer et al.**

(10) **Patent No.:** **US D493,318 S**  
(45) **Date of Patent:** **\*\* Jul. 27, 2004**

(54) **DECORATIVE GOLF BAG WALL RACK**

D409,033 S \* 5/1999 Wittek, Sr. .... D6/552  
D463,940 S \* 10/2002 Uhl ..... D6/552  
D476,183 S \* 6/2003 Bennett ..... D6/552

(76) Inventors: **Jerome Bauer**, 594 N. Glassell St.,  
Orange, CA (US) 92867; **Jeanie Bauer**,  
594 N. Glassell St., Orange, CA (US)  
92867

\* cited by examiner

*Primary Examiner*—Brian N Vinson

(74) *Attorney, Agent, or Firm*—Drummond & Duckworth

(\*\*) **Term:** **14 Years**

(57) **CLAIM**

(21) Appl. No.: **29/195,095**

The ornamental design for the decorative golf bag wall rack,  
as shown and described.

(22) Filed: **Dec. 5, 2003**

(51) **LOC (7) Cl.** ..... **08-08**

**DESCRIPTION**

(52) **U.S. Cl.** ..... **D6/552**

(58) **Field of Search** ..... D6/552; D21/796;  
206/579, 315.2, 315.3, 315.7; 211/13.1,  
85.7, 71.01, 181.1; 248/309.1, 311.2

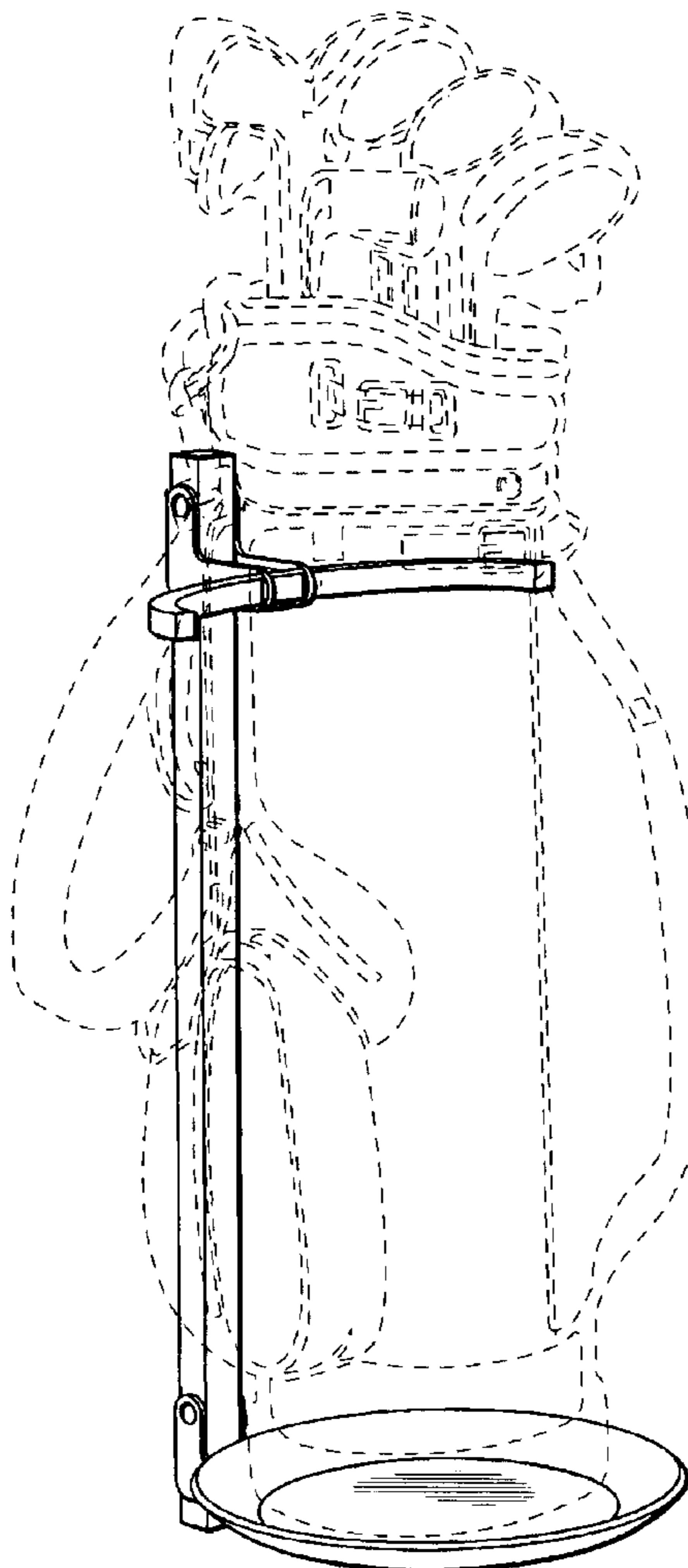
FIG. 1 is a perspective view of the decorative golf bag wall rack in use holding a golf bag, showing our design;  
FIG. 2 is a right elevation view thereof;  
FIG. 3 is a left elevation view thereof;  
FIG. 4 is a front elevation view thereof;  
FIG. 5 is a back elevation view thereof;  
FIG. 6 is a top plan view thereof; and,  
FIG. 7 is a bottom plan view thereof.

(56) **References Cited**

**U.S. PATENT DOCUMENTS**

D312,016 S \* 11/1990 Montgomery ..... D6/552  
D381,541 S \* 7/1997 Allendorph ..... D6/552  
D382,158 S \* 8/1997 Allendorph ..... D6/552

**1 Claim, 3 Drawing Sheets**



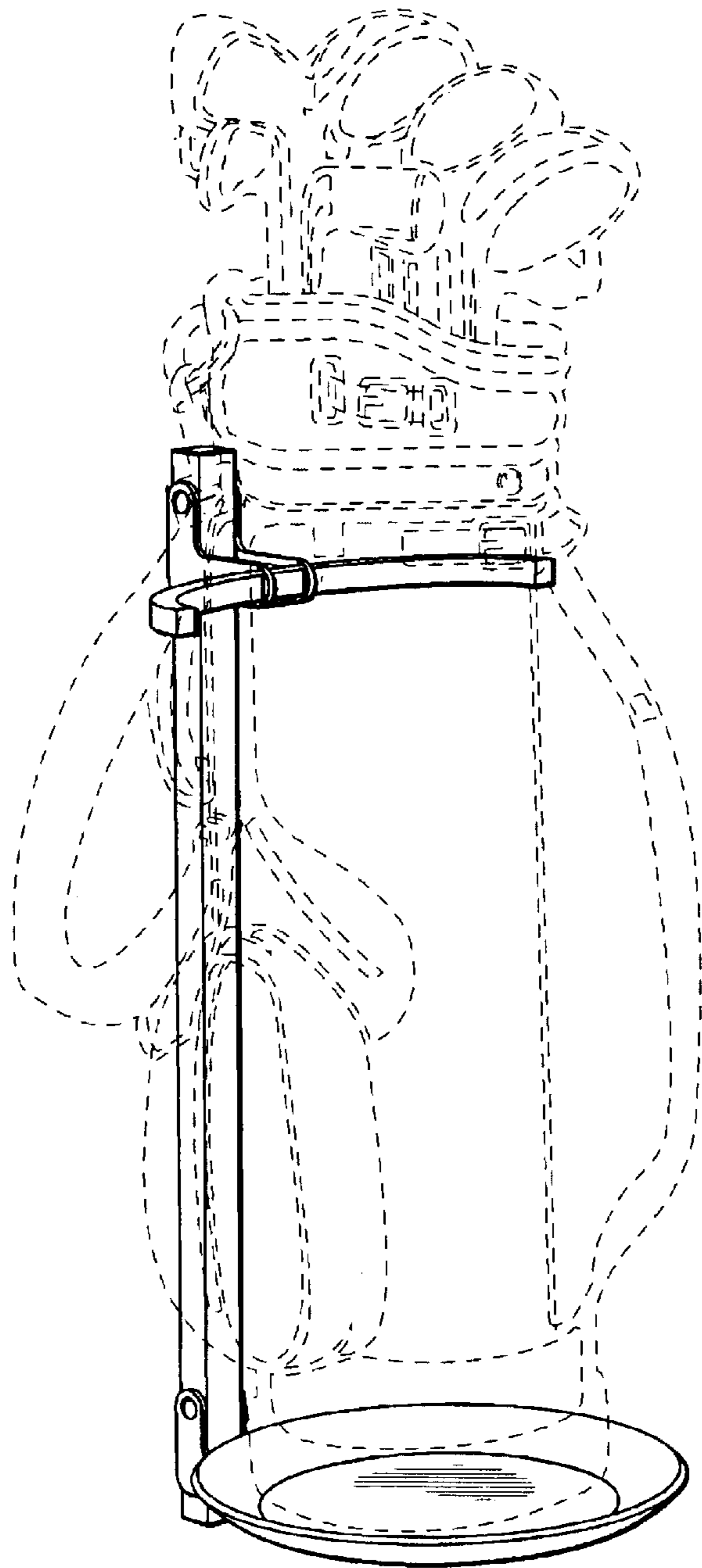


FIG. 1



FIG. 2

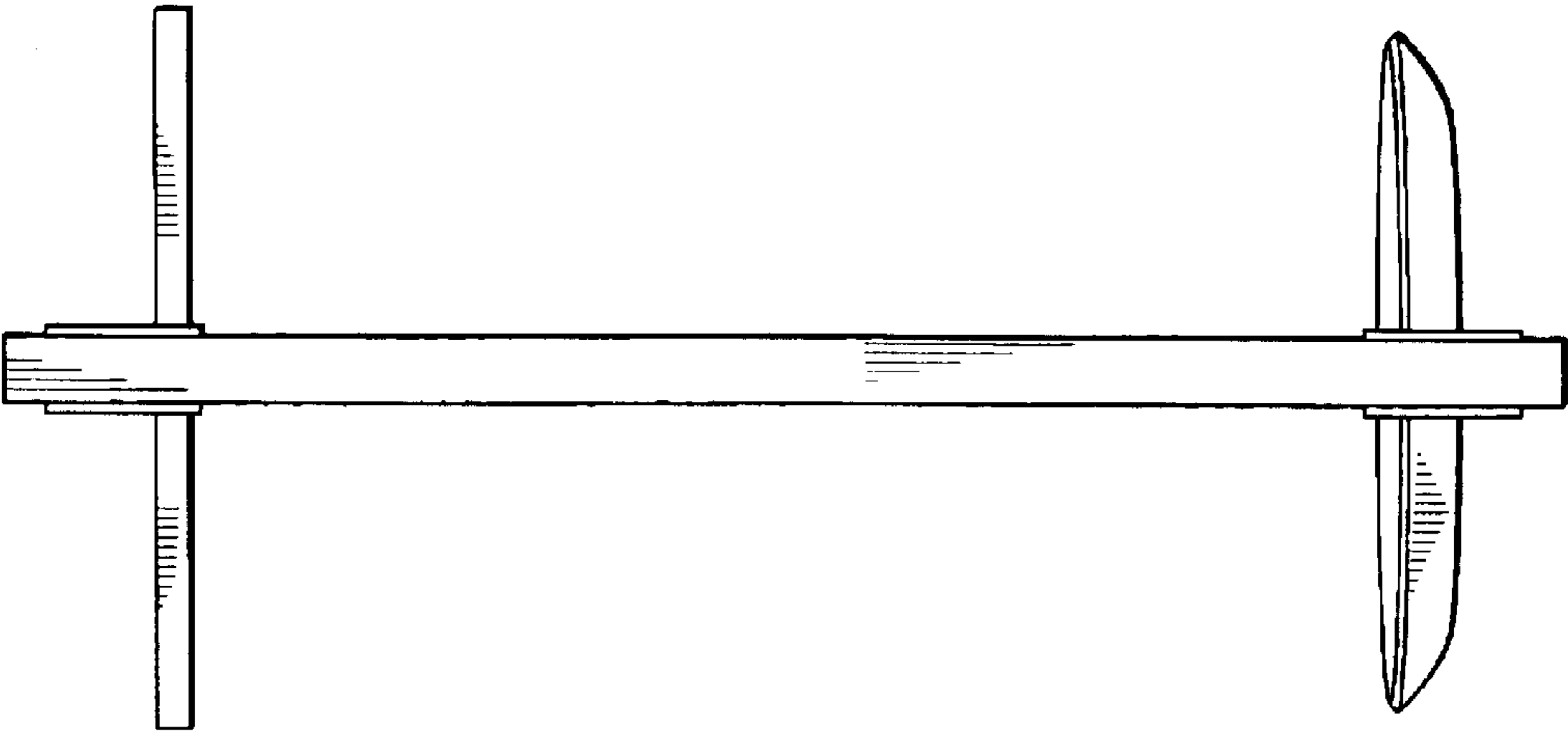


FIG. 5

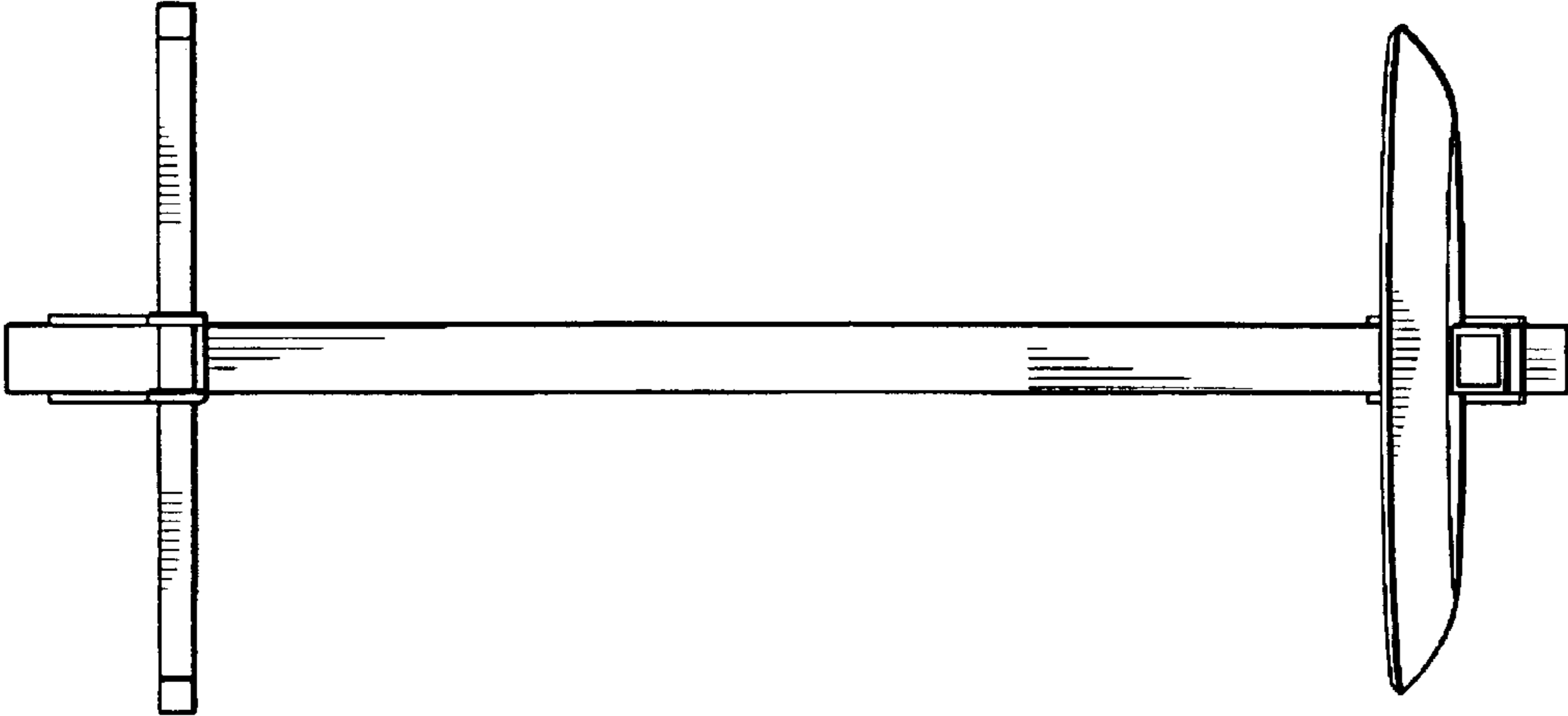


FIG. 4

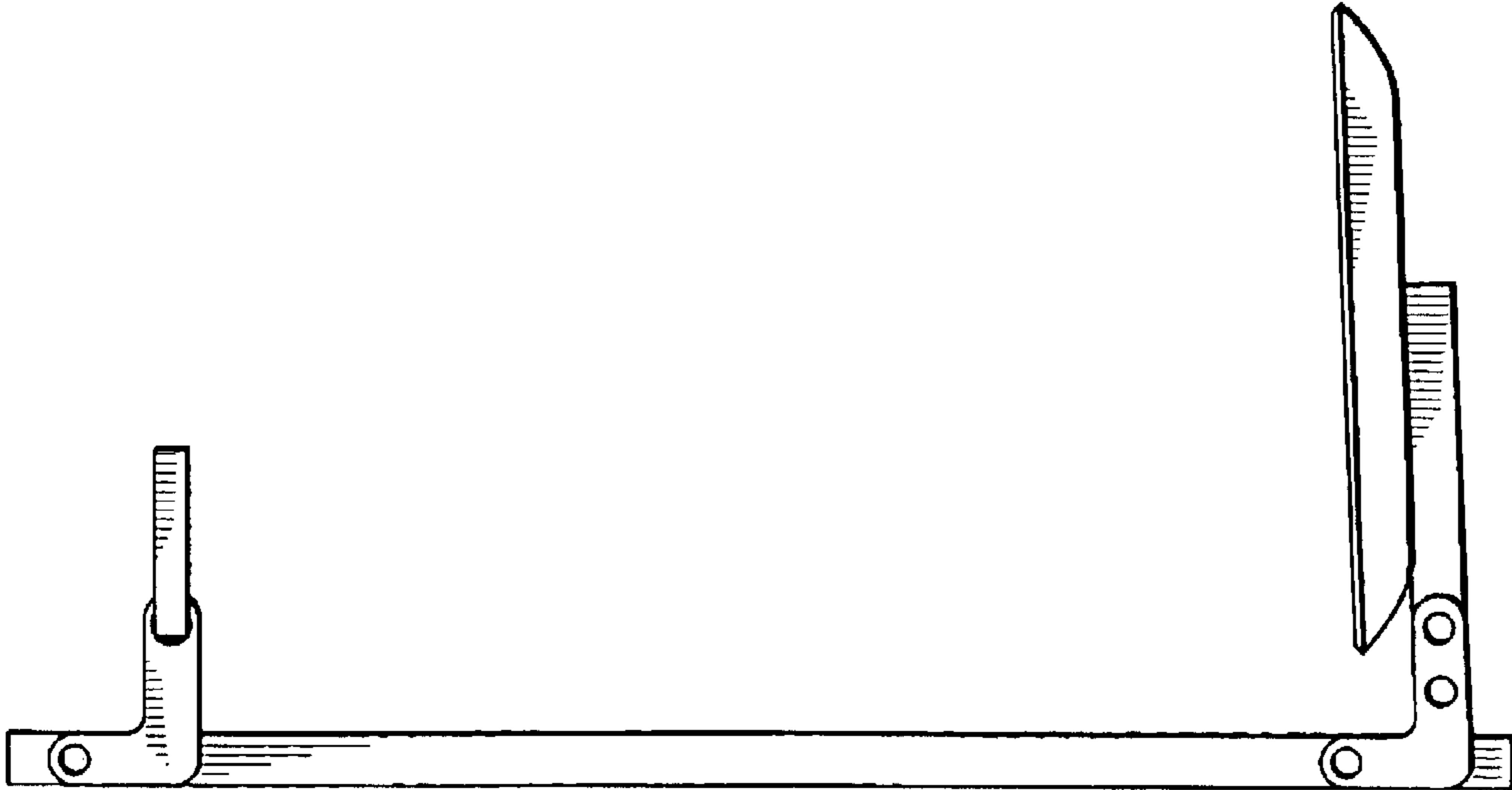
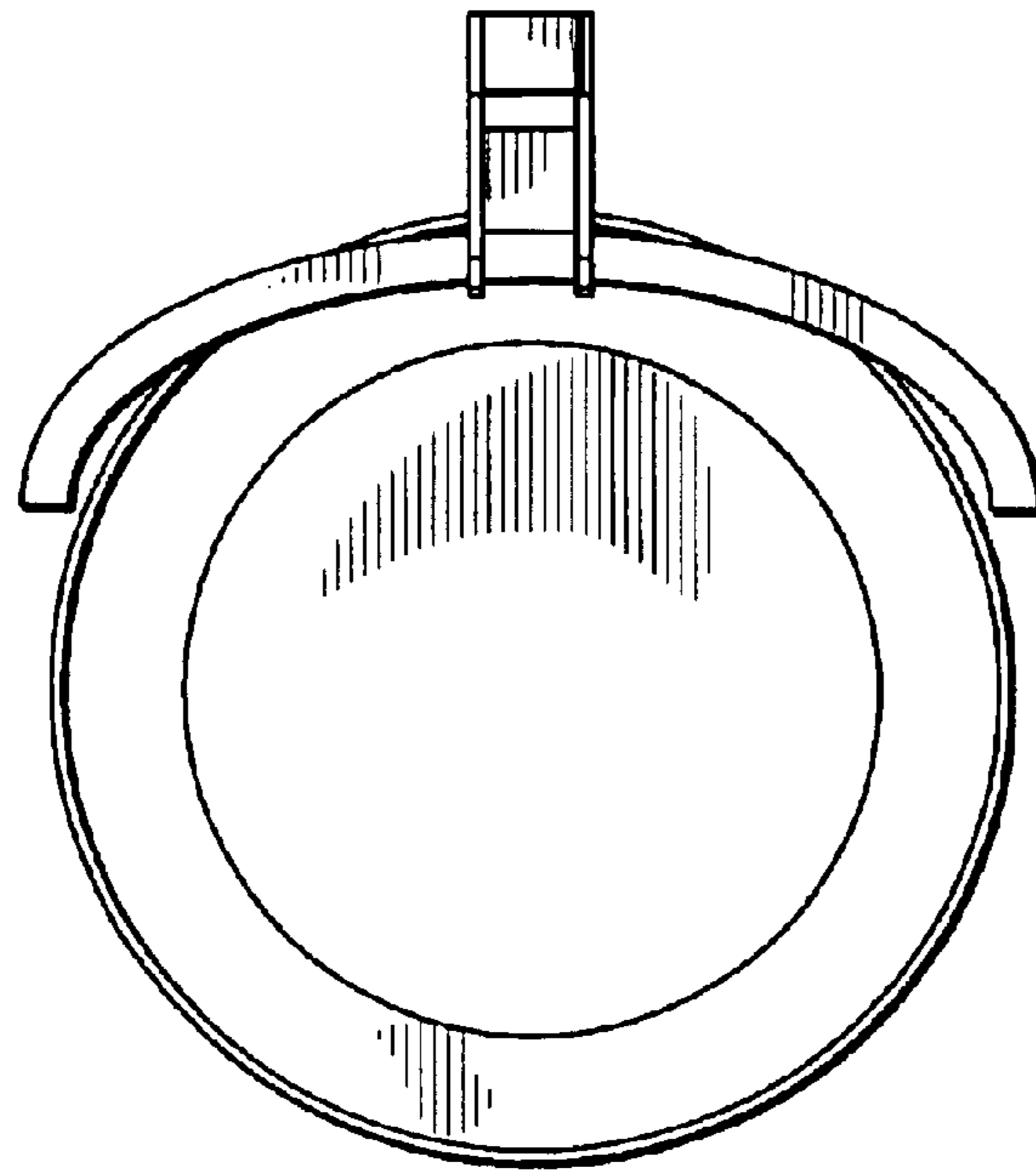
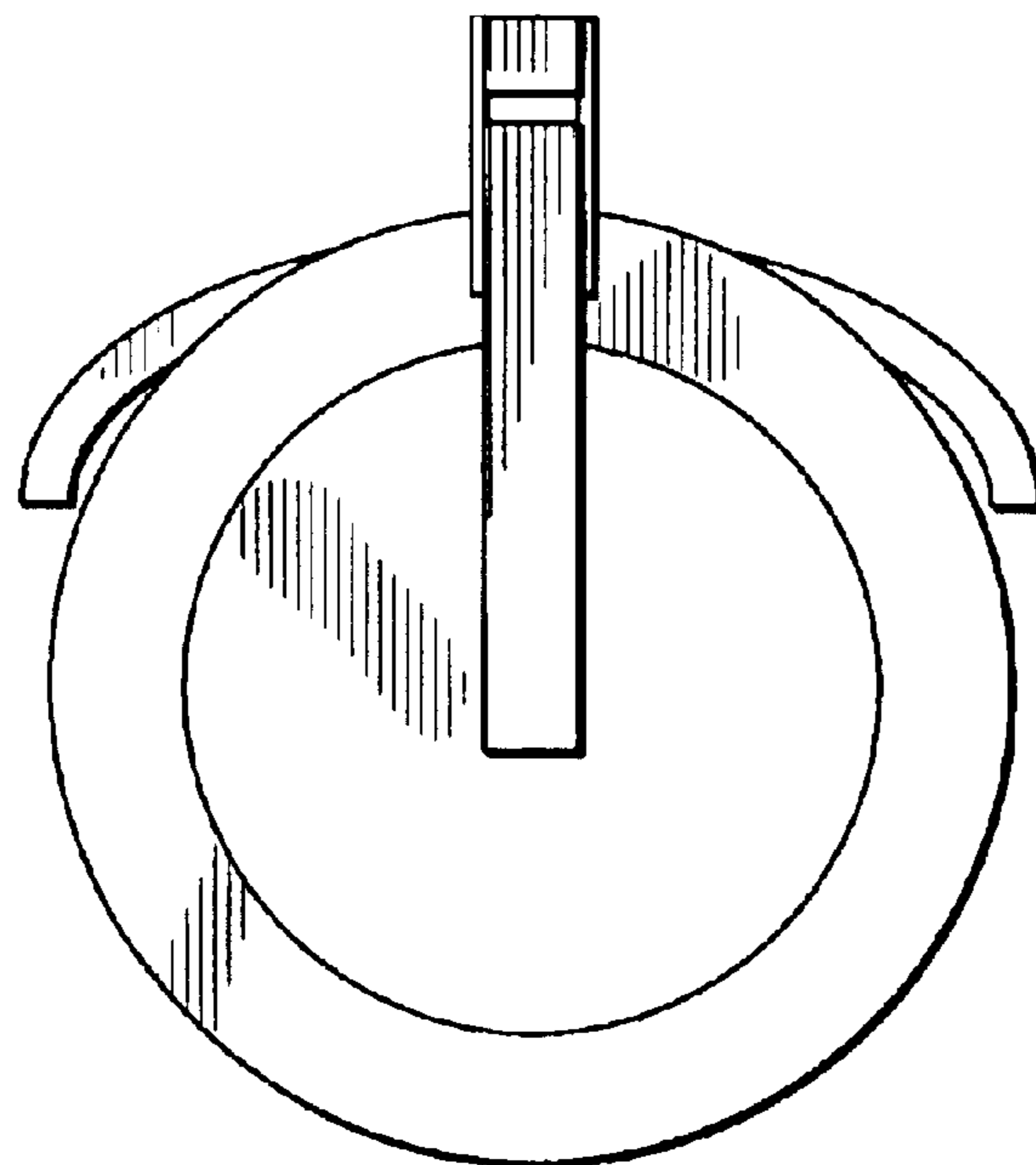


FIG. 3



**FIG. 6**



**FIG. 7**