

US00D493315S1

(12) **United States Design Patent**  
**Gilbert**

(10) **Patent No.:** **US D493,315 S**

(45) **Date of Patent:** **\*\* Jul. 27, 2004**

(54) **TOWEL BAR BRACKET**

(75) **Inventor:** **Christopher Jon Gilbert**, Moreland Hills, OH (US)

(73) **Assignee:** **Moen Incorporated**, N. Olmsted, OH (US)

(\*\*) **Term:** **14 Years**

(21) **Appl. No.:** **29/185,428**

(22) **Filed:** **Jun. 26, 2003**

(51) **LOC (7) Cl.** ..... **23-02**

(52) **U.S. Cl.** ..... **D6/524**

(58) **Field of Search** ..... D6/546-550, 518-519, D6/522-524; D8/300, 303, 315-321, 354, 363, 373, 380; 108/28-29; 211/13.1, 16, 60.1, 86.01, 87.01, 88.01, 88.04, 100, 105.1-105.2, 119.003, 123, 126.1, 133.6, 134, 181.1, 182; 248/175, 176.1, 200, 214, 251, 302, 309.1; 16/110.1, 412, 415; 242/570, 590; 206/389, 557

(56) **References Cited**

**U.S. PATENT DOCUMENTS**

- D79,774 S 10/1929 Warner et al.
- D82,571 S 11/1930 Lovett
- 2,542,941 A 2/1951 Post
- D222,279 S 10/1971 Clayton
- D337,014 S 7/1993 Wang
- D431,948 S \* 10/2000 Chen ..... D6/524

- D449,950 S \* 11/2001 Lai ..... D6/524
- D454,742 S 3/2002 Meck et al.
- D465,365 S 11/2002 Moore
- D465,368 S 11/2002 Moore
- D465,956 S \* 11/2002 Ouyoung ..... D6/550
- D466,742 S 12/2002 Moore
- D466,986 S 12/2002 Singtoroj et al.
- D471,748 S 3/2003 Moore
- D477,486 S \* 7/2003 Green ..... D6/550
- D477,945 S \* 8/2003 Solowiej ..... D6/524

\* cited by examiner

*Primary Examiner*—Brian N. Vinson

(74) *Attorney, Agent, or Firm*—Calfee, Halter & Griswold LLP

(57) **CLAIM**

The ornamental design for a towel bar bracket, as shown and described.

**DESCRIPTION**

FIG. 1 is a top plan view of a towel bar bracket showing my new design, the broken-line disclosure of a portion of a towel bar in this and the following views is for illustrative purposes only and forms no part of the claimed design.

FIG. 2 is a front elevation view;

FIG. 3 is a bottom plan view;

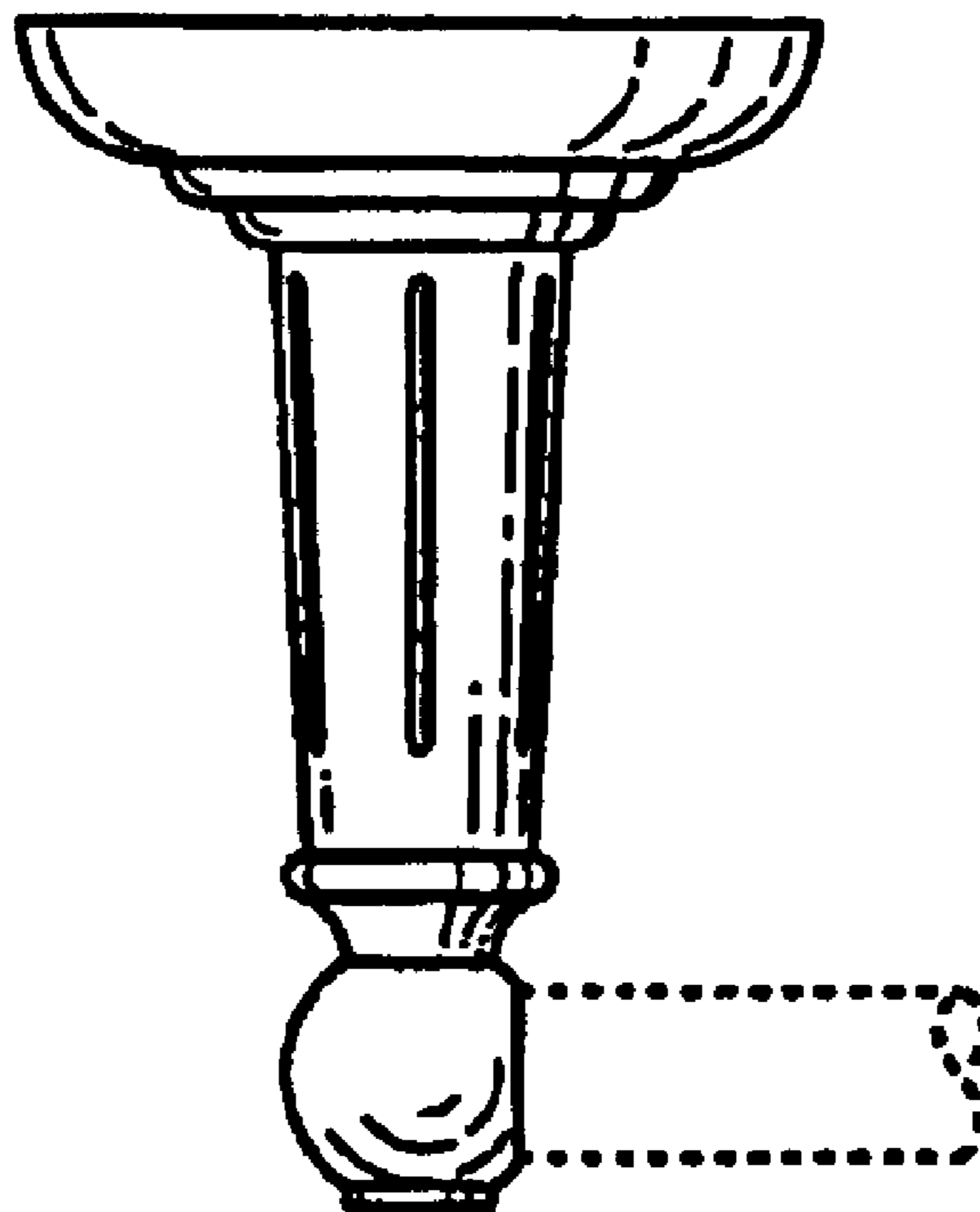
FIG. 4 is a rear elevation view;

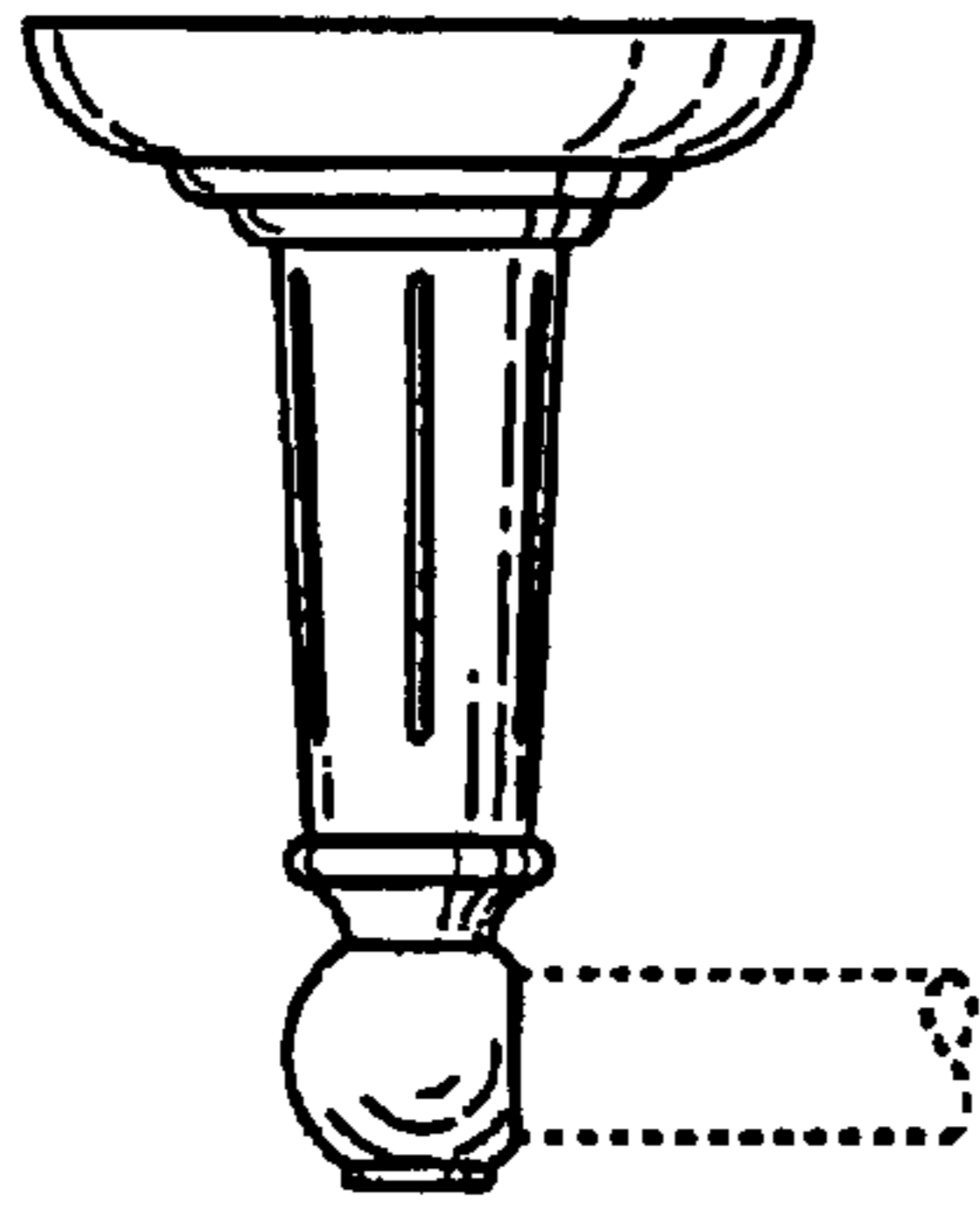
FIG. 5 is a perspective view;

FIG. 6 is a right side elevation view; and,

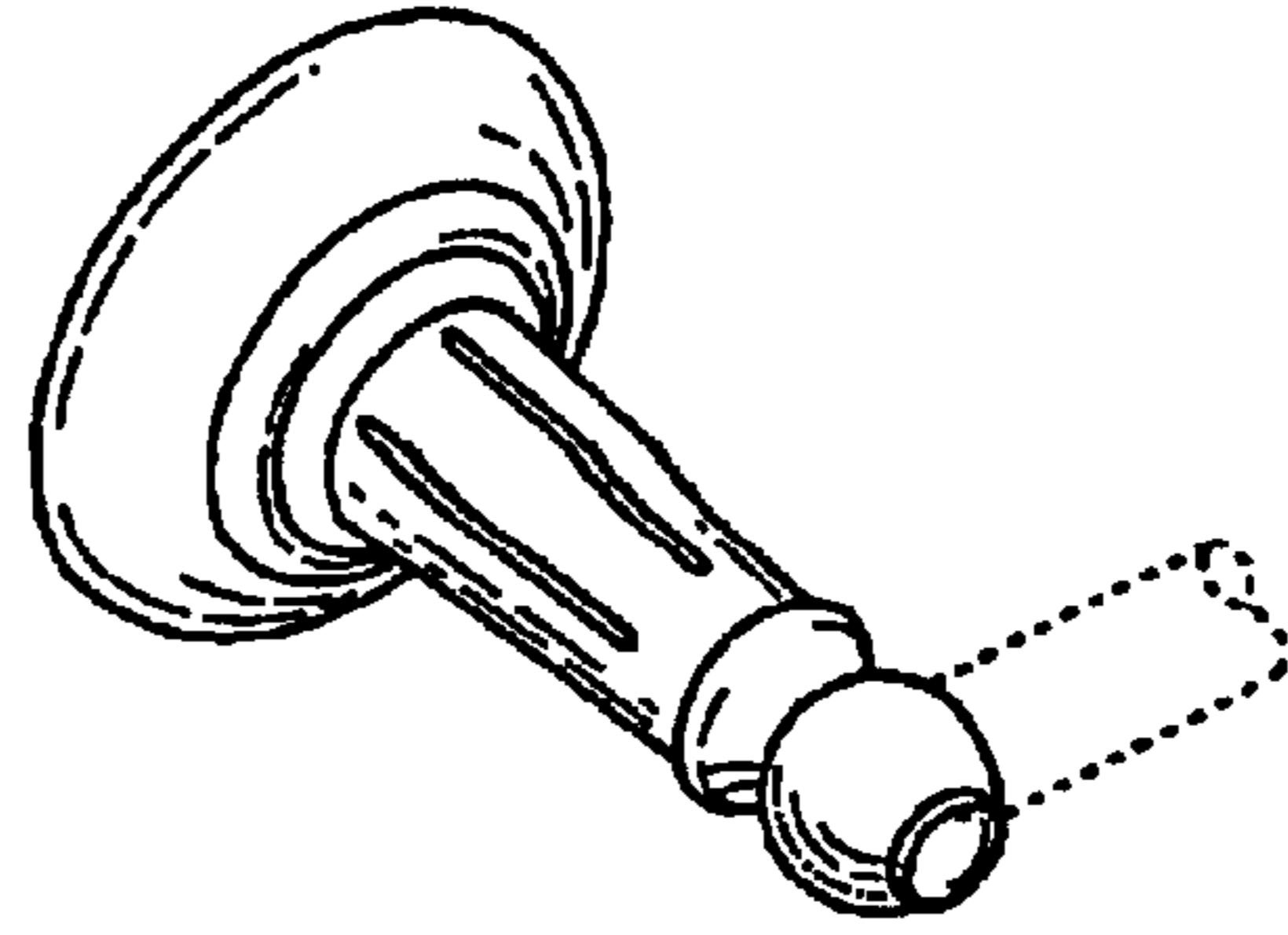
FIG. 7 is a left side elevation view.

**1 Claim, 1 Drawing Sheet**

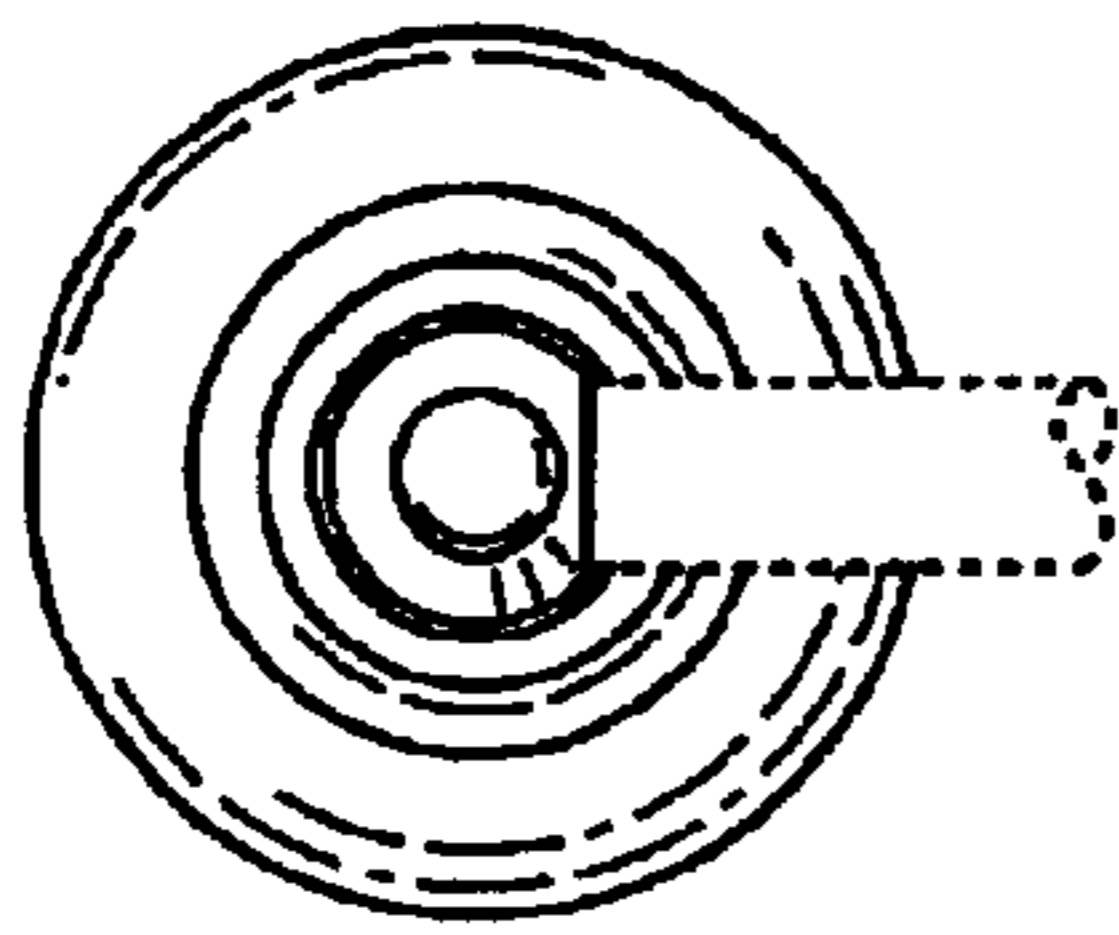




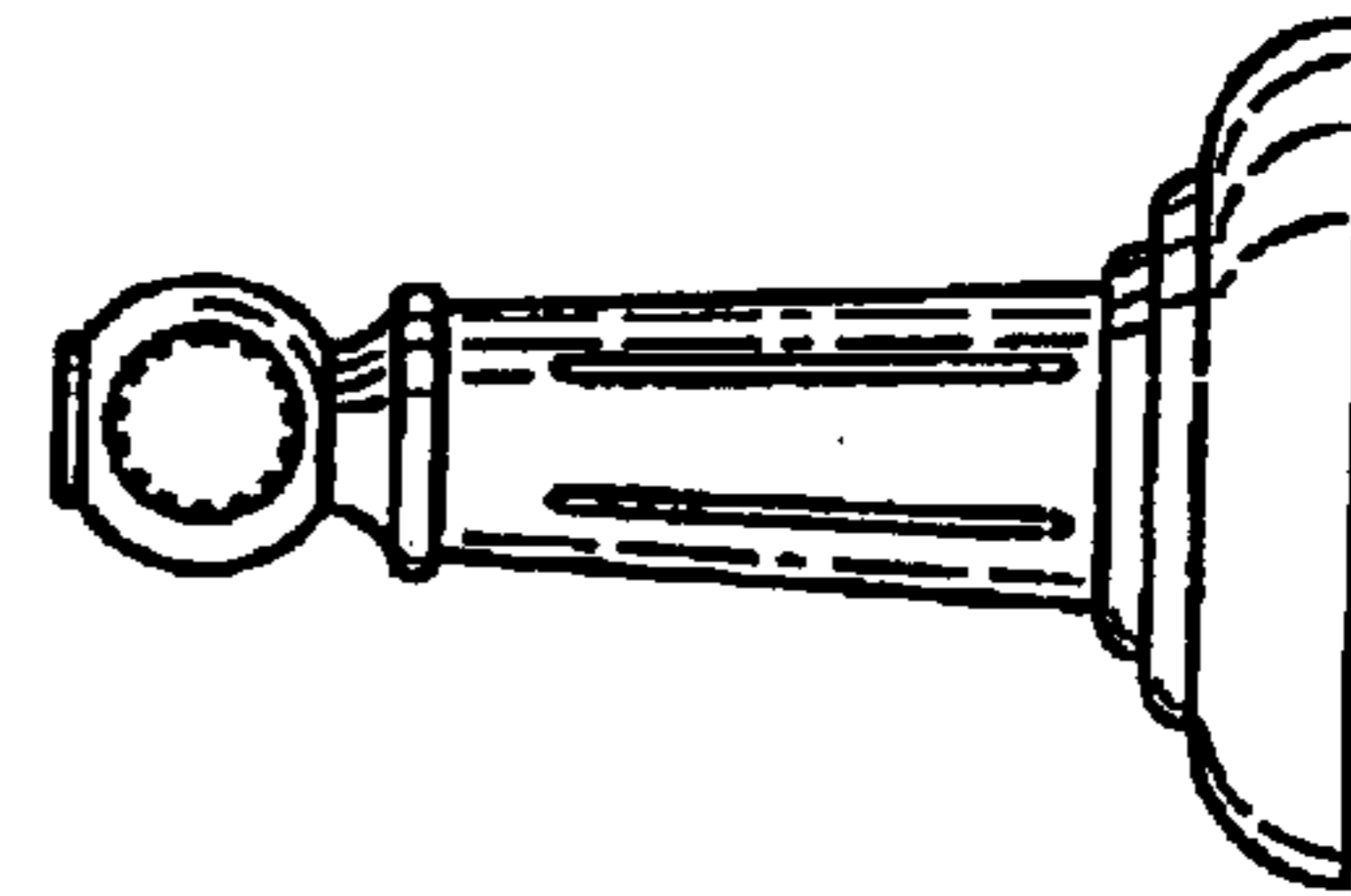
*Fig. 1*



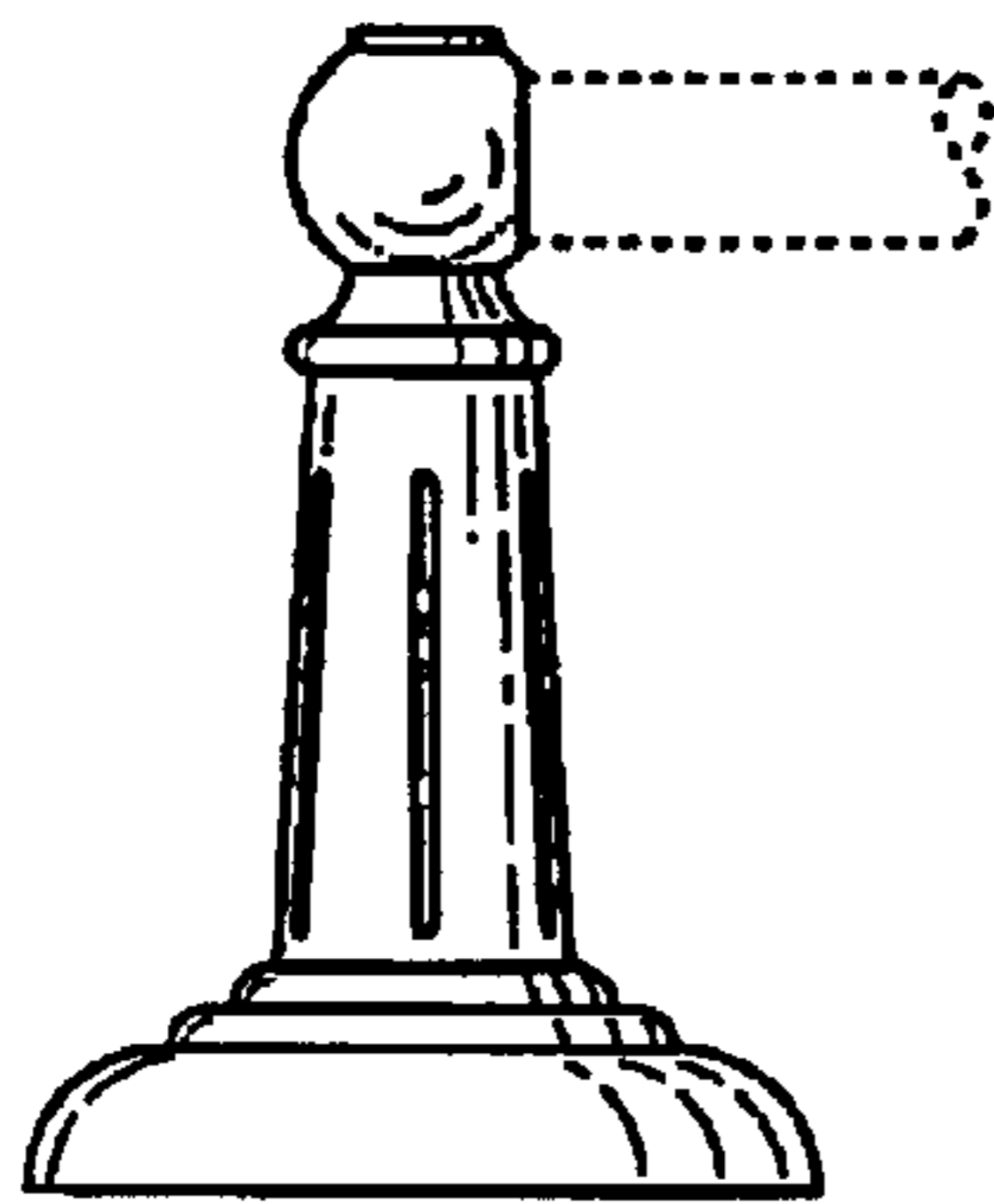
*Fig. 5*



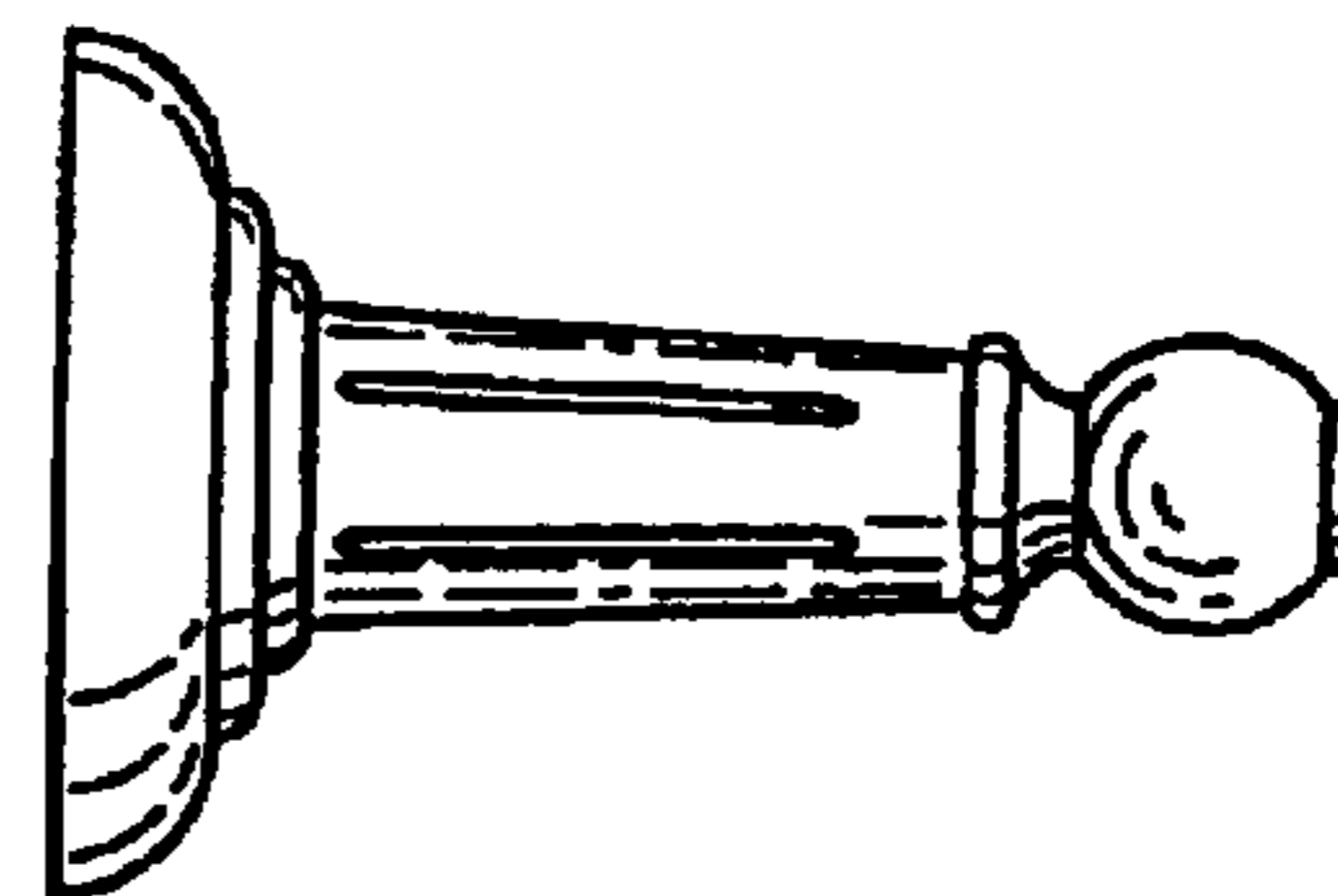
*Fig. 2*



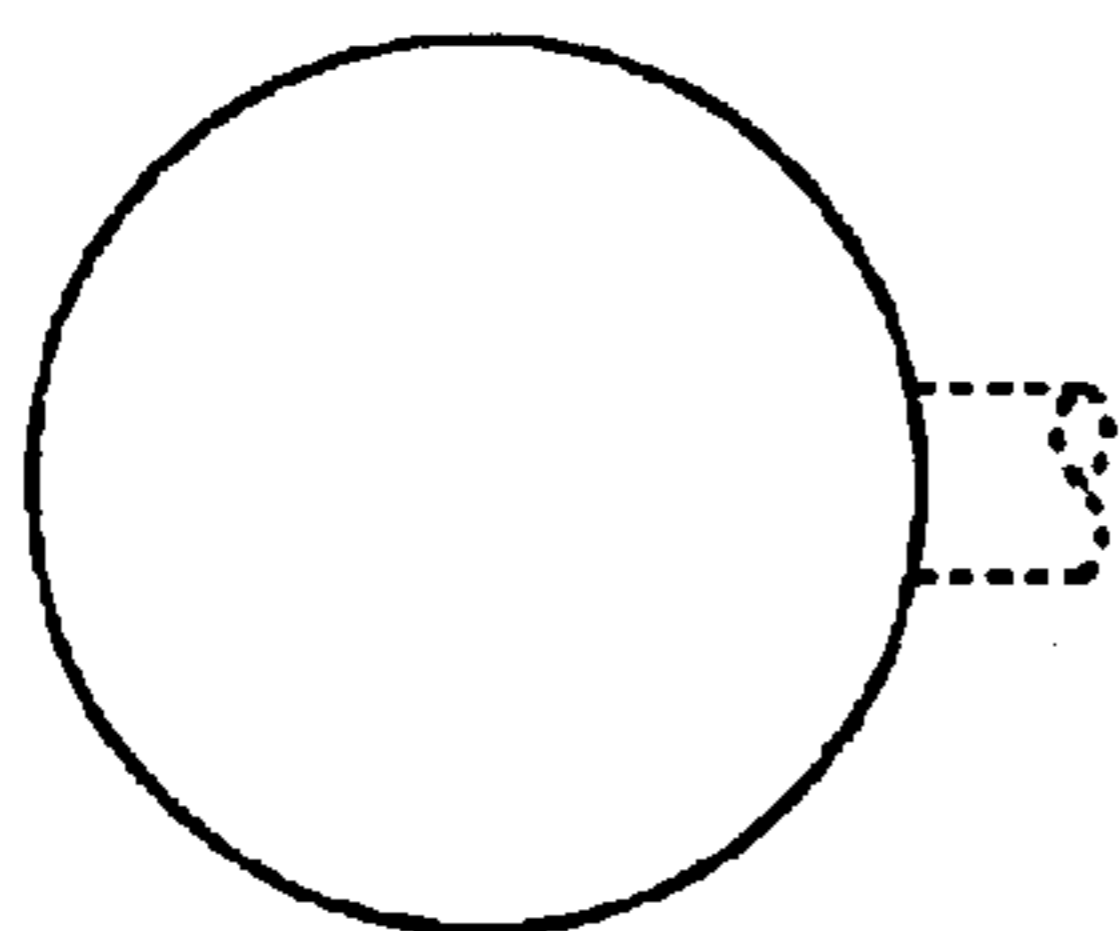
*Fig. 6*



*Fig. 3*



*Fig. 7*



*Fig. 4*