

US00D493314S1

(12) **United States Design Patent**
Gilbert

(10) **Patent No.:** **US D493,314 S**

(45) **Date of Patent:** **** Jul. 27, 2004**

(54) **TOWEL BAR BRACKET**

(75) **Inventor:** **Christopher Jon Gilbert**, Moreland Hills, OH (US)

(73) **Assignee:** **Moen Incorporated**, N. Olmsted, OH (US)

(**) **Term:** **14 Years**

(21) **Appl. No.:** **29/185,419**

(22) **Filed:** **Jun. 26, 2003**

(51) **LOC (7) Cl.** **23-02**

(52) **U.S. Cl.** **D6/524**

(58) **Field of Search** D6/546-550, 518-519, D6/522-524; D8/300, 303, 315-321, 354, 363, 373, 380; 108/28-29; 211/13.1, 16, 60.1, 86.01, 87.01, 88.01, 88.04, 100, 105.1-105.2, 119.003, 123, 126.1, 133.6, 134, 181.1, 182; 248/175, 176.1, 200, 214, 251, 302, 309.1; 16/110.1, 412, 415; 242/570, 590; 206/389, 557

(56) **References Cited**

U.S. PATENT DOCUMENTS

D337,230 S * 7/1993 Wang D6/550

D431,742 S * 10/2000 Chen D6/524
D449,948 S * 11/2001 Lai D6/524
D476,836 S * 7/2003 Lai D6/524
D477,486 S * 7/2003 Green D6/550

* cited by examiner

Primary Examiner—Brian N. Vinson

(74) *Attorney, Agent, or Firm*—Calfee, Halter & Griswold LLP

(57) **CLAIM**

The ornamental design for a towel bar bracket, as shown and described.

DESCRIPTION

FIG. 1 is a top plan view of a towel bar bracket showing my new design, the broken-line disclosure of a portion of a towel bar in this and the following views is for illustrative purposes only and forms no part of the claimed design.

FIG. 2 is a front elevation view;

FIG. 3 is a bottom plan view;

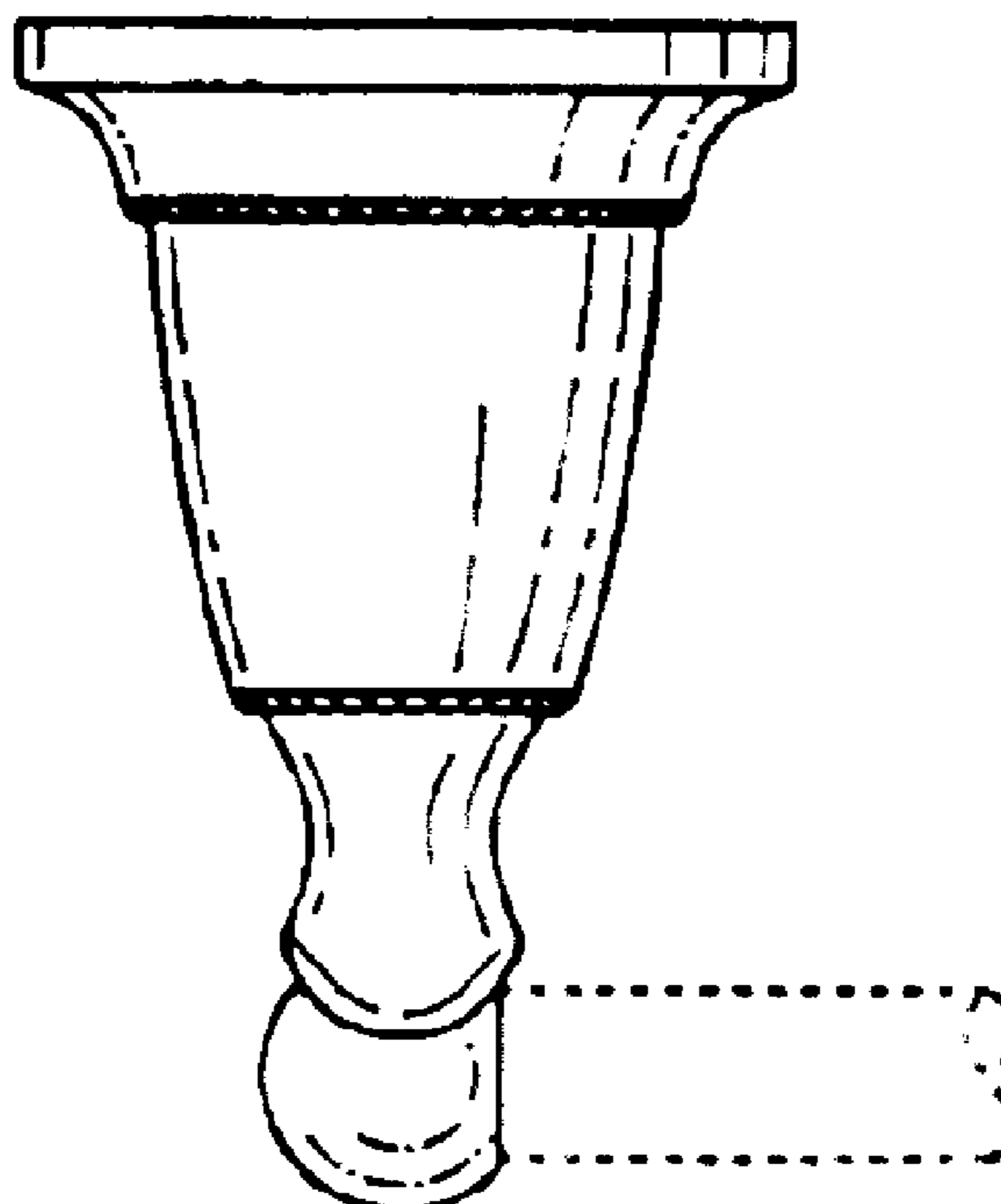
FIG. 4 is a rear elevation view;

FIG. 5 is a perspective view;

FIG. 6 is a right side elevation view; and,

FIG. 7 is a left side elevation view.

1 Claim, 1 Drawing Sheet



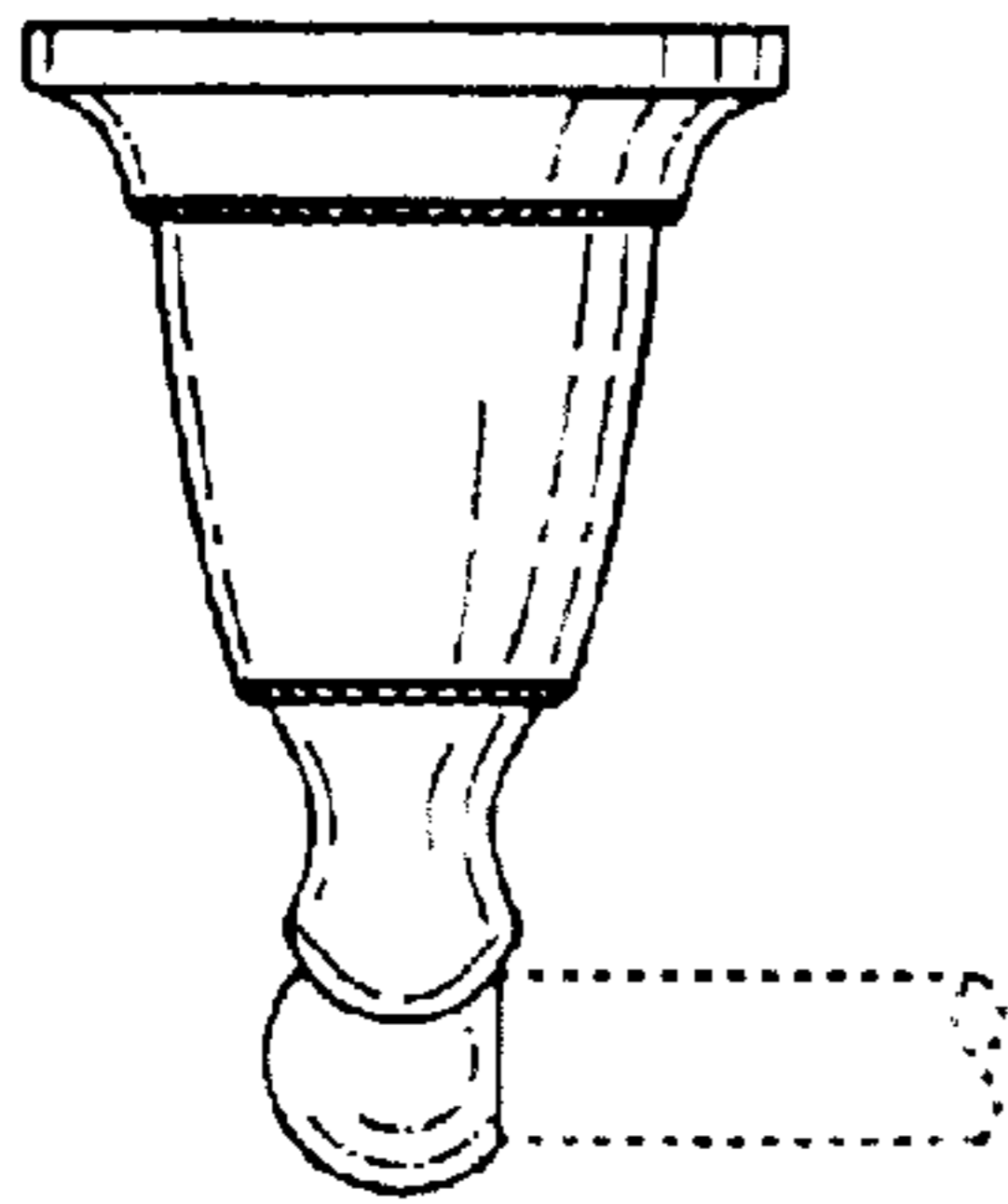


Fig. 1

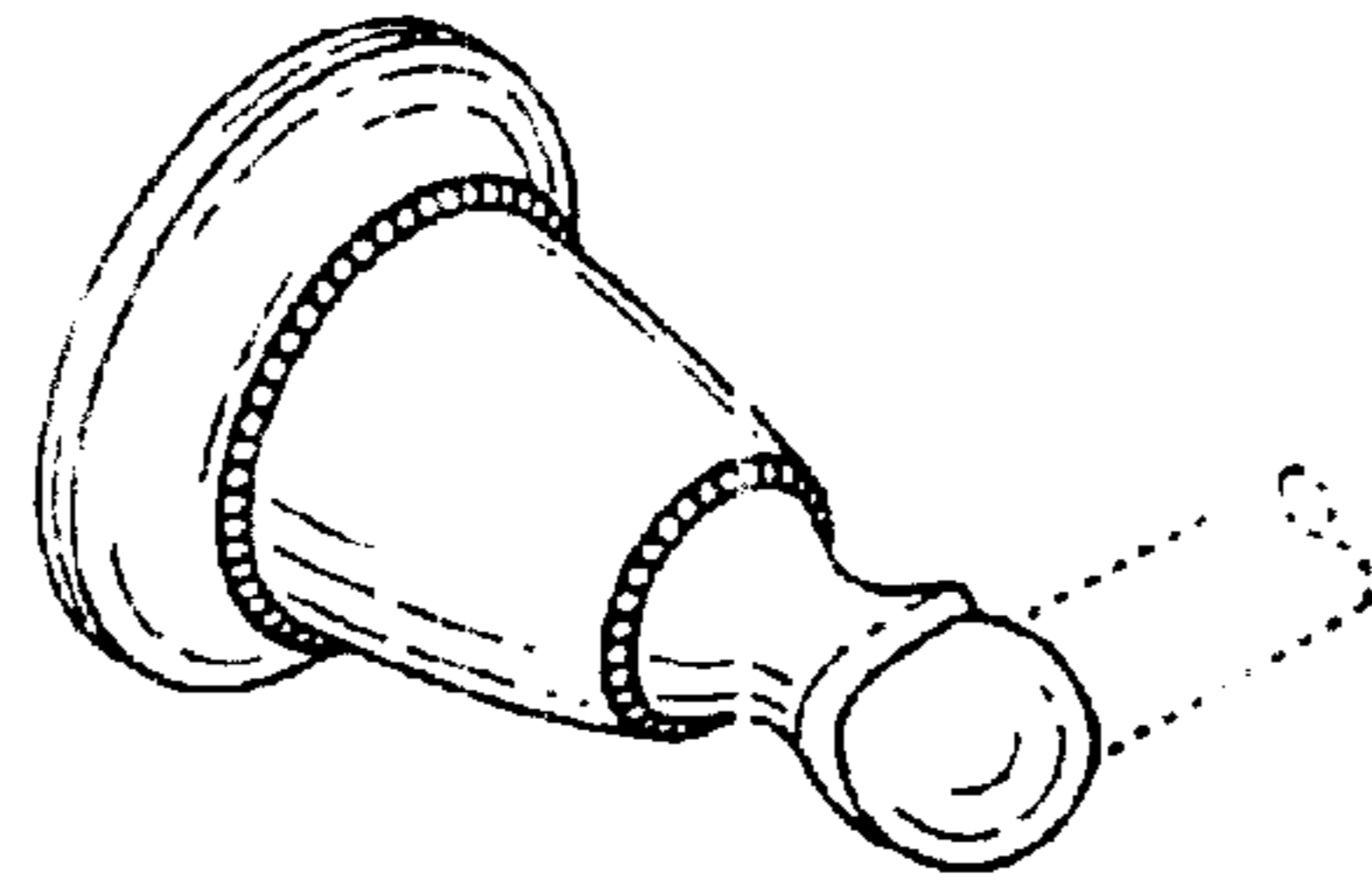


Fig. 5

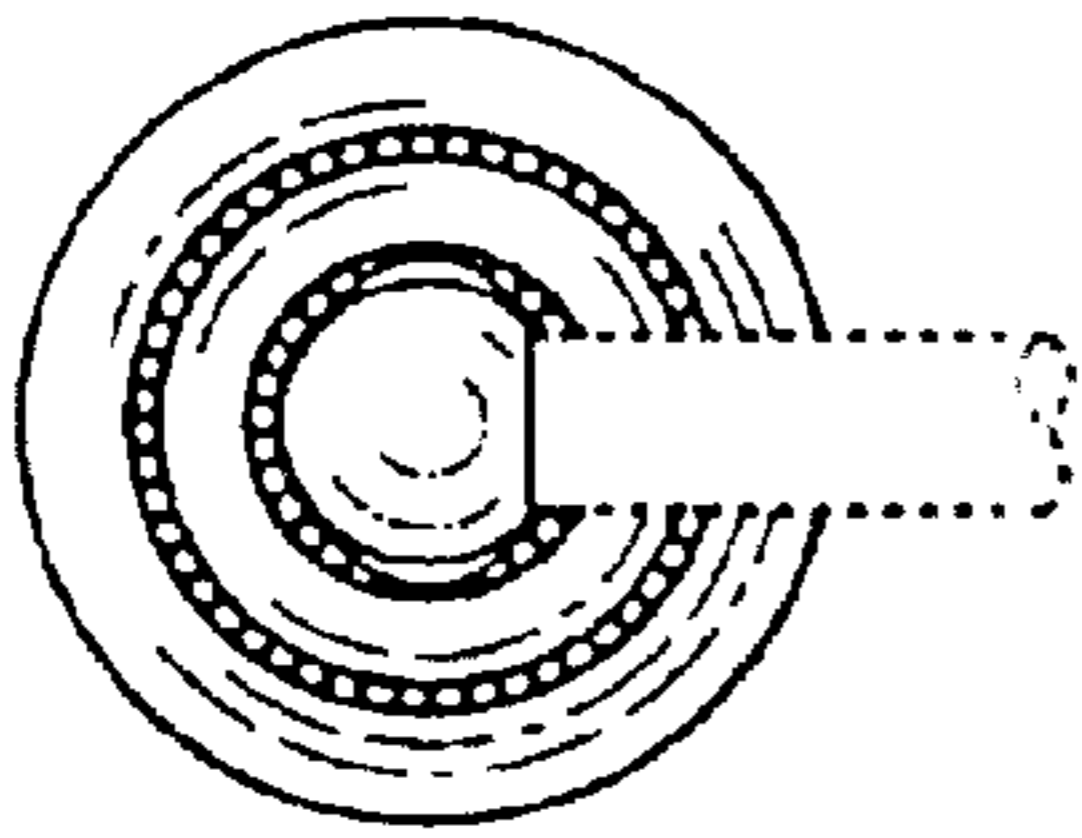


Fig. 2

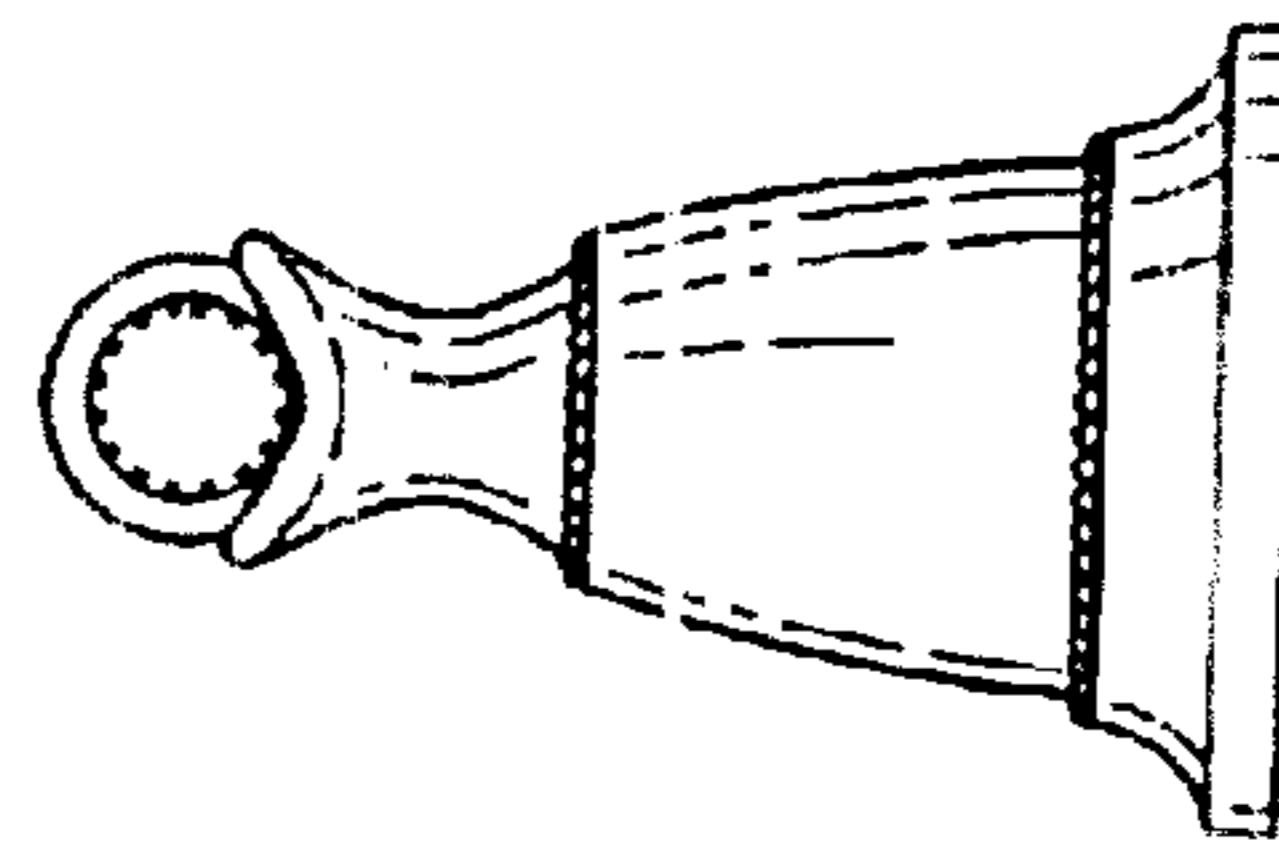


Fig. 6

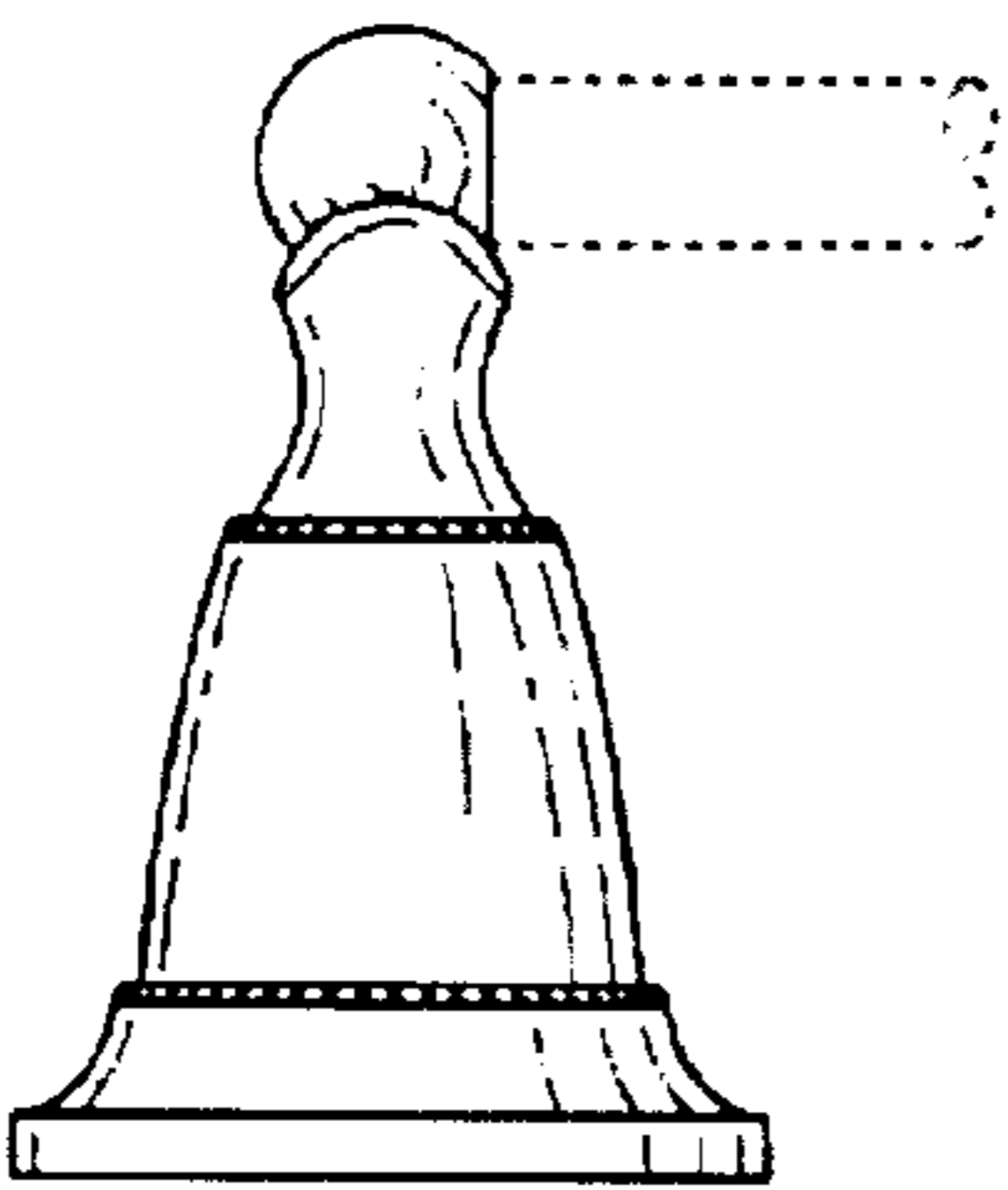


Fig. 3

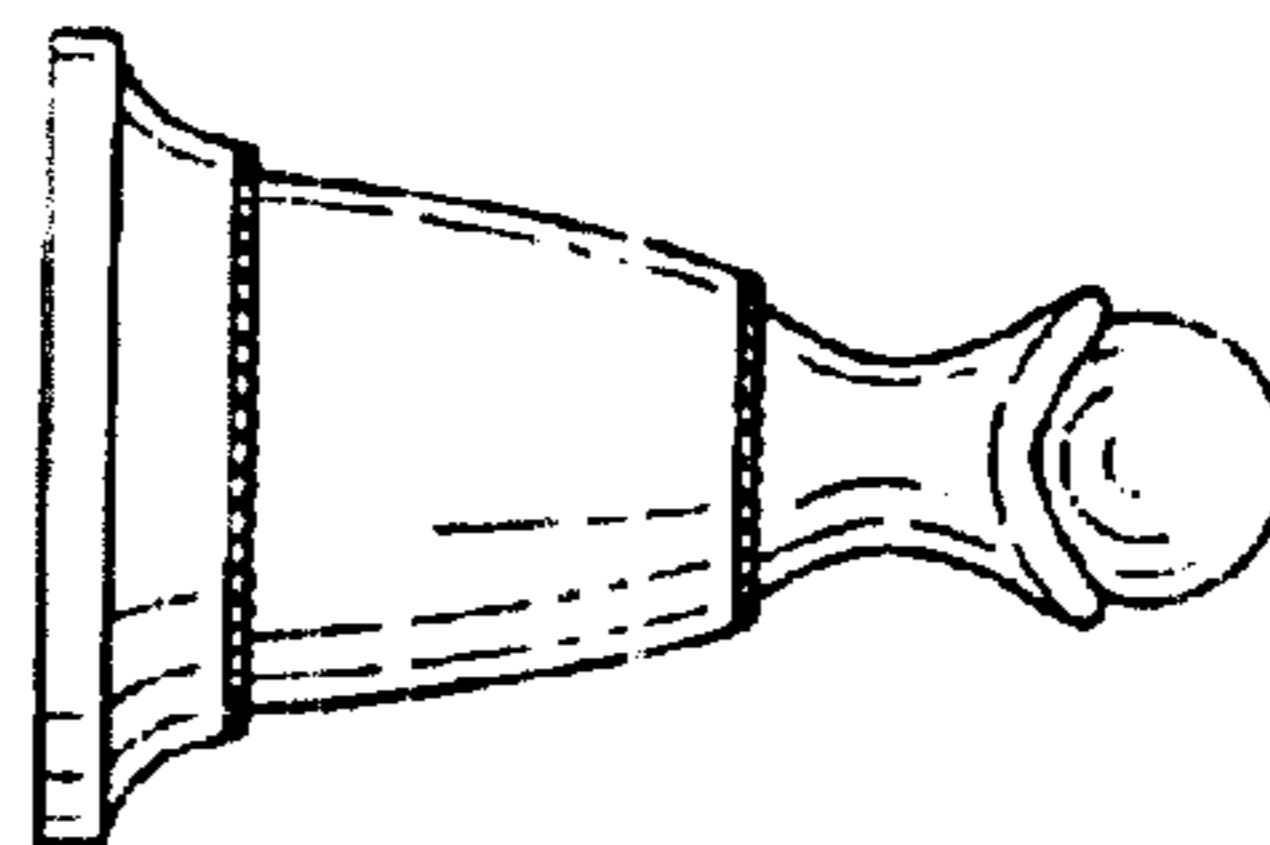


Fig. 7

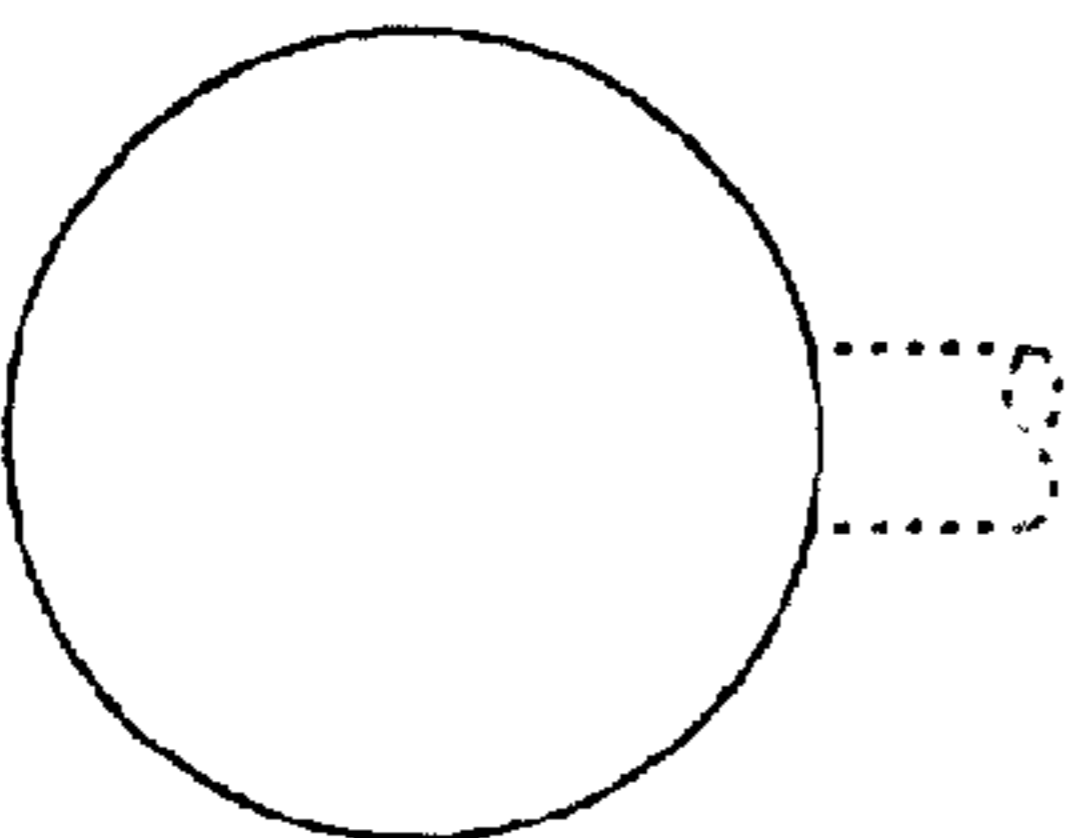


Fig. 4