



US00D493313S1

(12) **United States Design Patent**  
**Hoernig**

(10) **Patent No.:** **US D493,313 S**  
(45) **Date of Patent:** **\*\* Jul. 27, 2004**

(54) **SHELF WITH TOWEL BAR**

D476,838 S \* 7/2003 Hoernig ..... D6/527  
D477,732 S \* 7/2003 Hoernig ..... D6/527

(75) Inventor: **Victor Hoernig**, Lowell, IN (US)

\* cited by examiner

(73) Assignee: **Bath Unlimited, Inc.**, Fort Mill, SC (US)

*Primary Examiner*—Brian N. Vinson  
(74) *Attorney, Agent, or Firm*—Edgar A. Zarins; Lloyd D. Doigan

(\*\*) Term: **14 Years**

(57) **CLAIM**

(21) Appl. No.: **29/183,962**

The ornamental design for a shelf with towel bar, as shown and described.

(22) Filed: **Aug. 14, 2003**

(51) **LOC (7) Cl.** ..... **23-02**

**DESCRIPTION**

(52) **U.S. Cl.** ..... **D6/524; D6/549; D6/574**

(58) **Field of Search** ..... D6/546–550, 518–519, D6/522–524; D8/300, 303, 315–321, 354, 363, 373, 380; 108/28–29; 211/13.1, 16, 60.1, 86.01, 87.01, 88.01, 88.04, 100, 105.1–105.2, 119.003, 123, 126.1, 133.6, 134, 181.1, 182; 248/175, 176.1, 200, 214, 251, 302, 309.1; 16/110.1, 412, 415; 242/570, 590; 206/389, 557

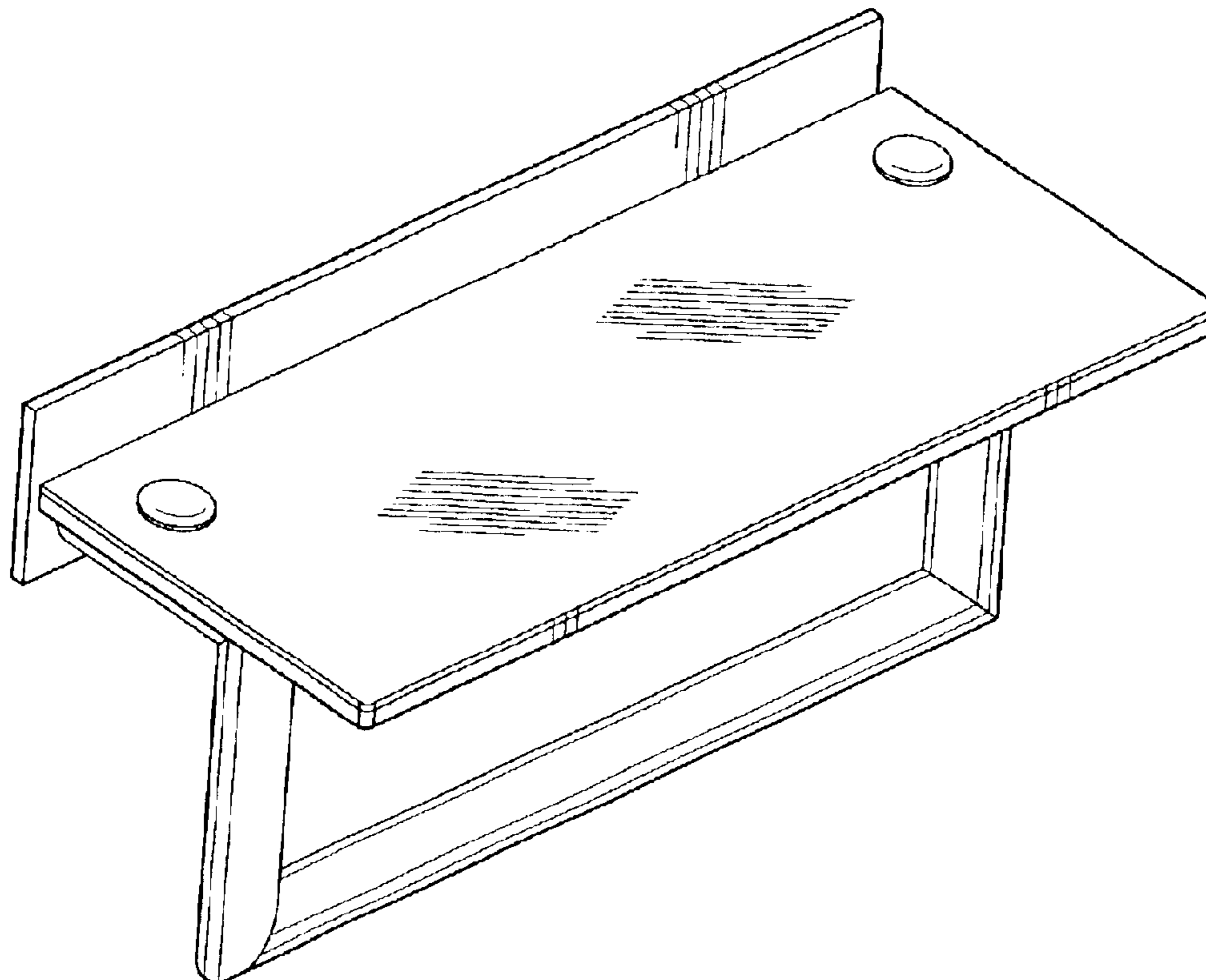
FIG. 1 is a perspective view of a shelf with towel bar showing my new design;  
FIG. 2 is a top plan view thereof;  
FIG. 3 is a right side view thereof, the opposite side being a mirror image of the end shown;  
FIG. 4 is a front elevational view thereof;  
FIG. 5 is a bottom plan view thereof;  
FIG. 6 is a perspective view of an alternative embodiment of the shelf with towel bar;  
FIG. 7 is a front elevational view thereof;  
FIG. 8 is an end view thereof;  
FIG. 9 is a top plan view thereof; and,  
FIG. 10 is a bottom plan view thereof.

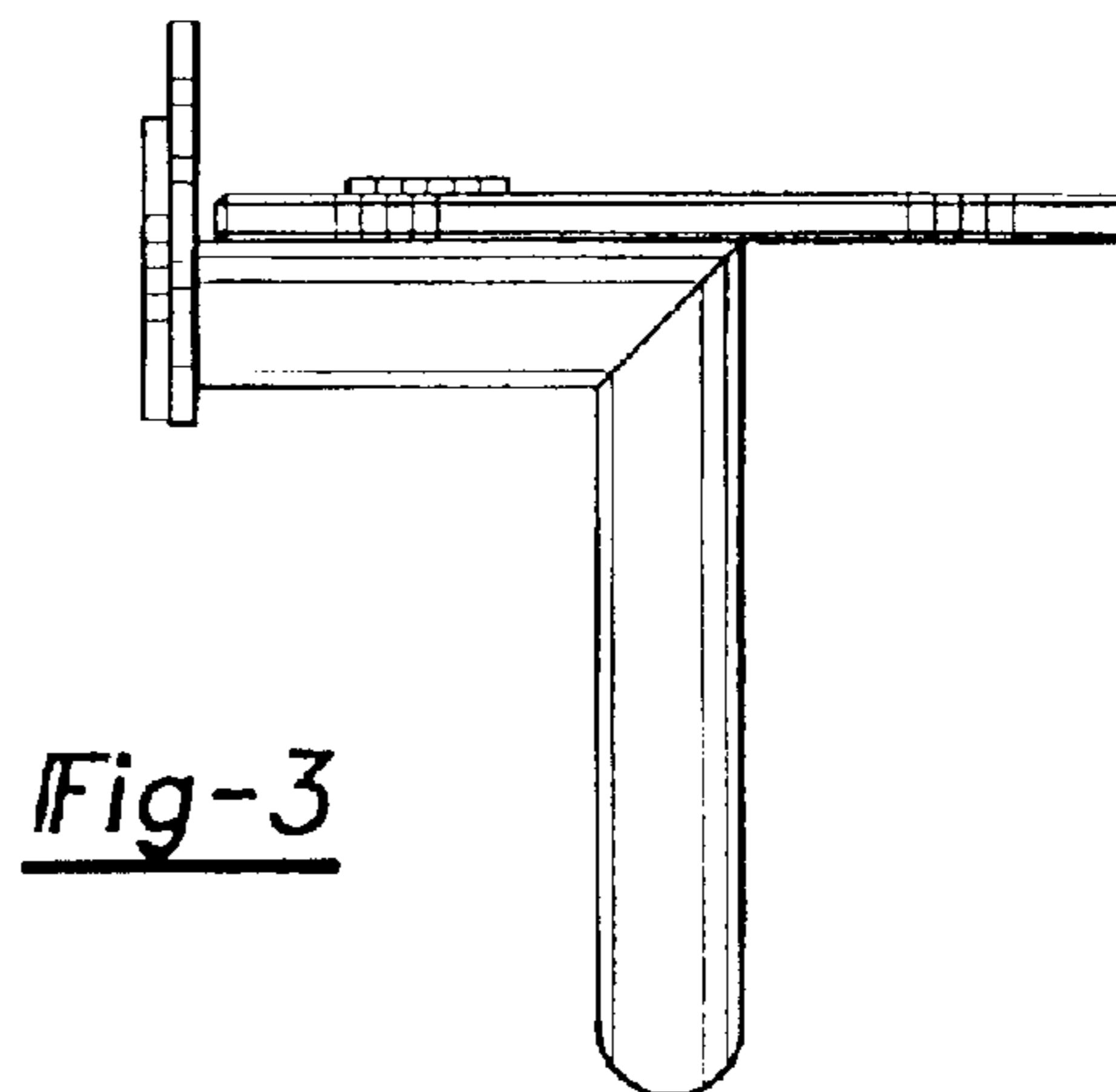
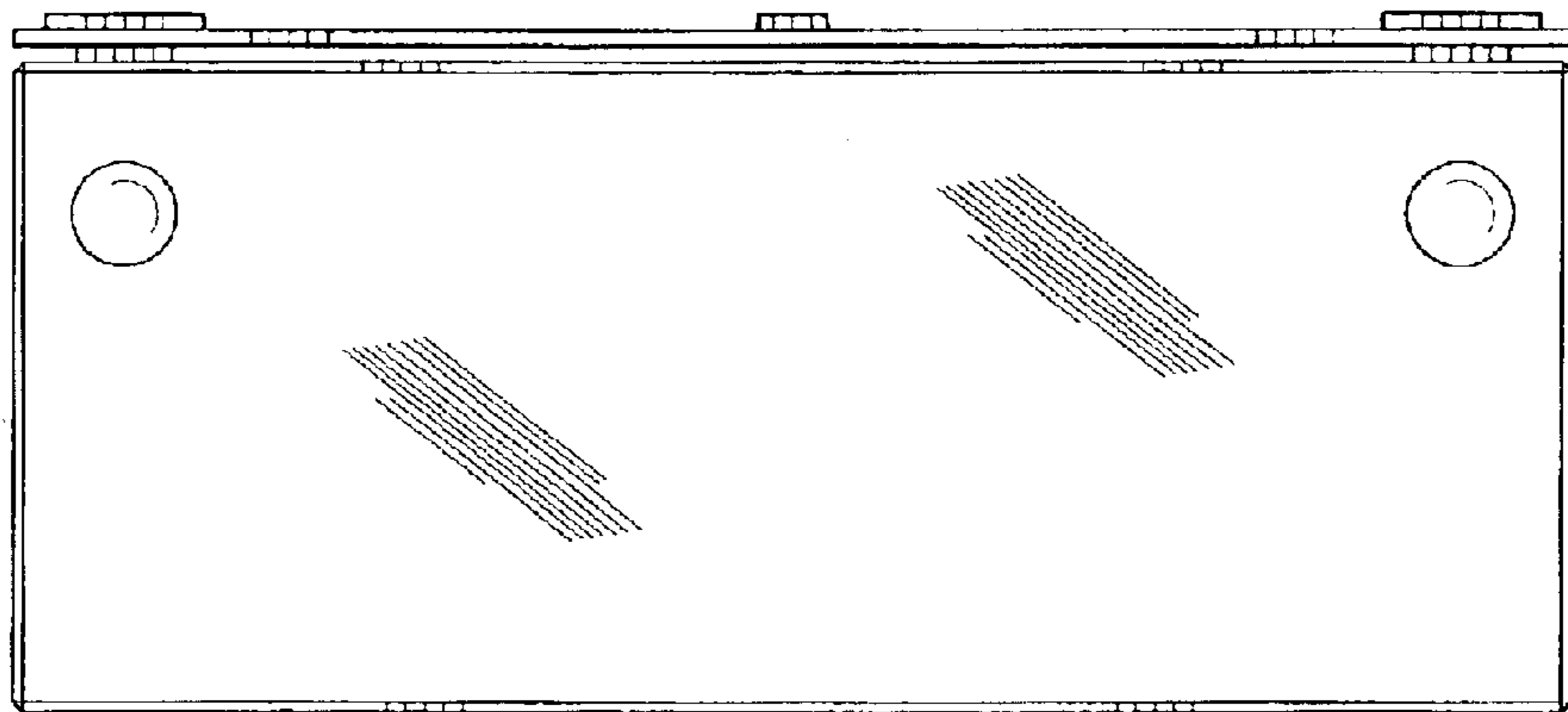
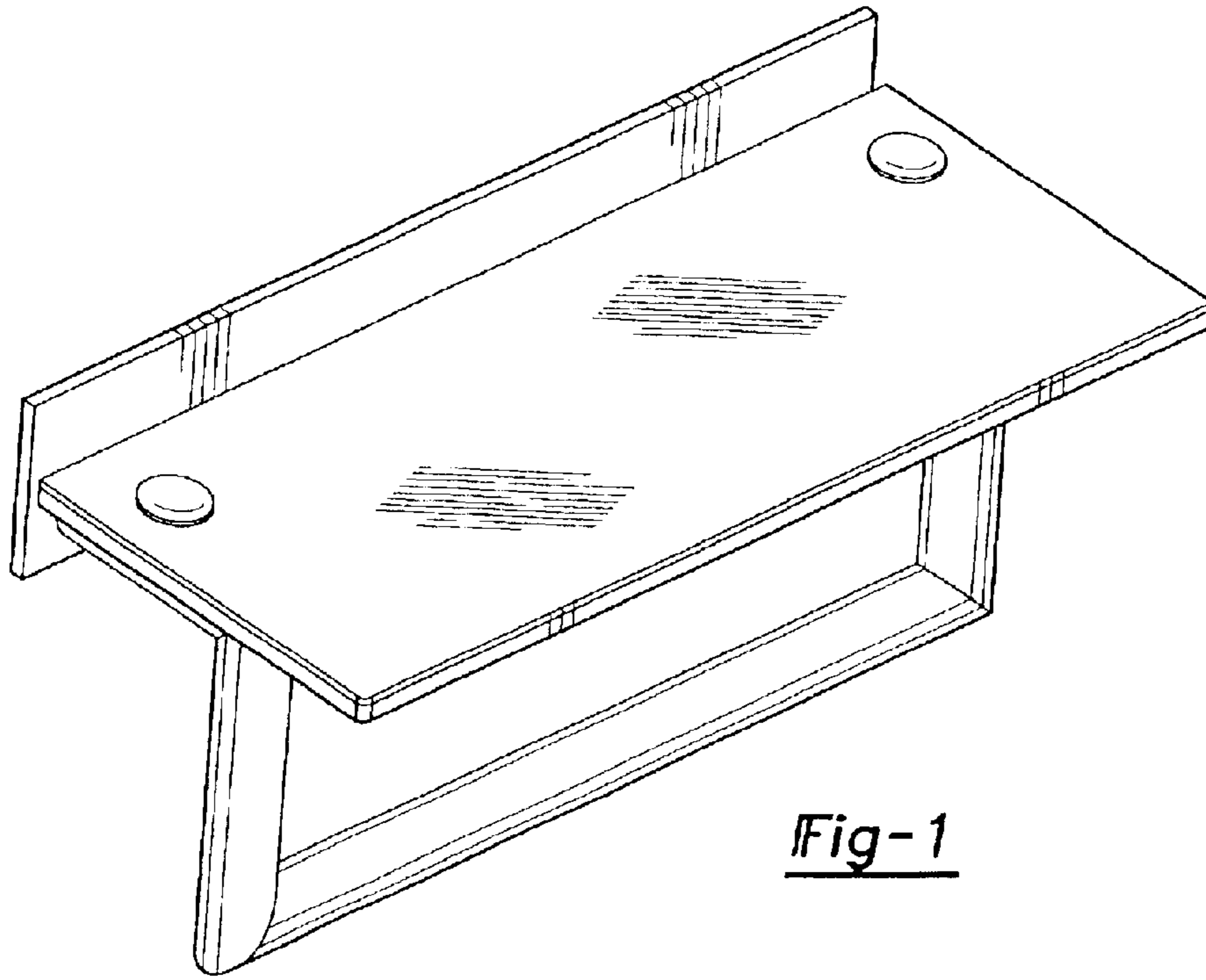
(56) **References Cited**

**U.S. PATENT DOCUMENTS**

4,154,420 A \* 5/1979 Mazie et al. .... 248/251  
6,227,506 B1 \* 5/2001 Benedict ..... 248/249  
D476,837 S \* 7/2003 Hoernig ..... D6/527

**1 Claim, 4 Drawing Sheets**





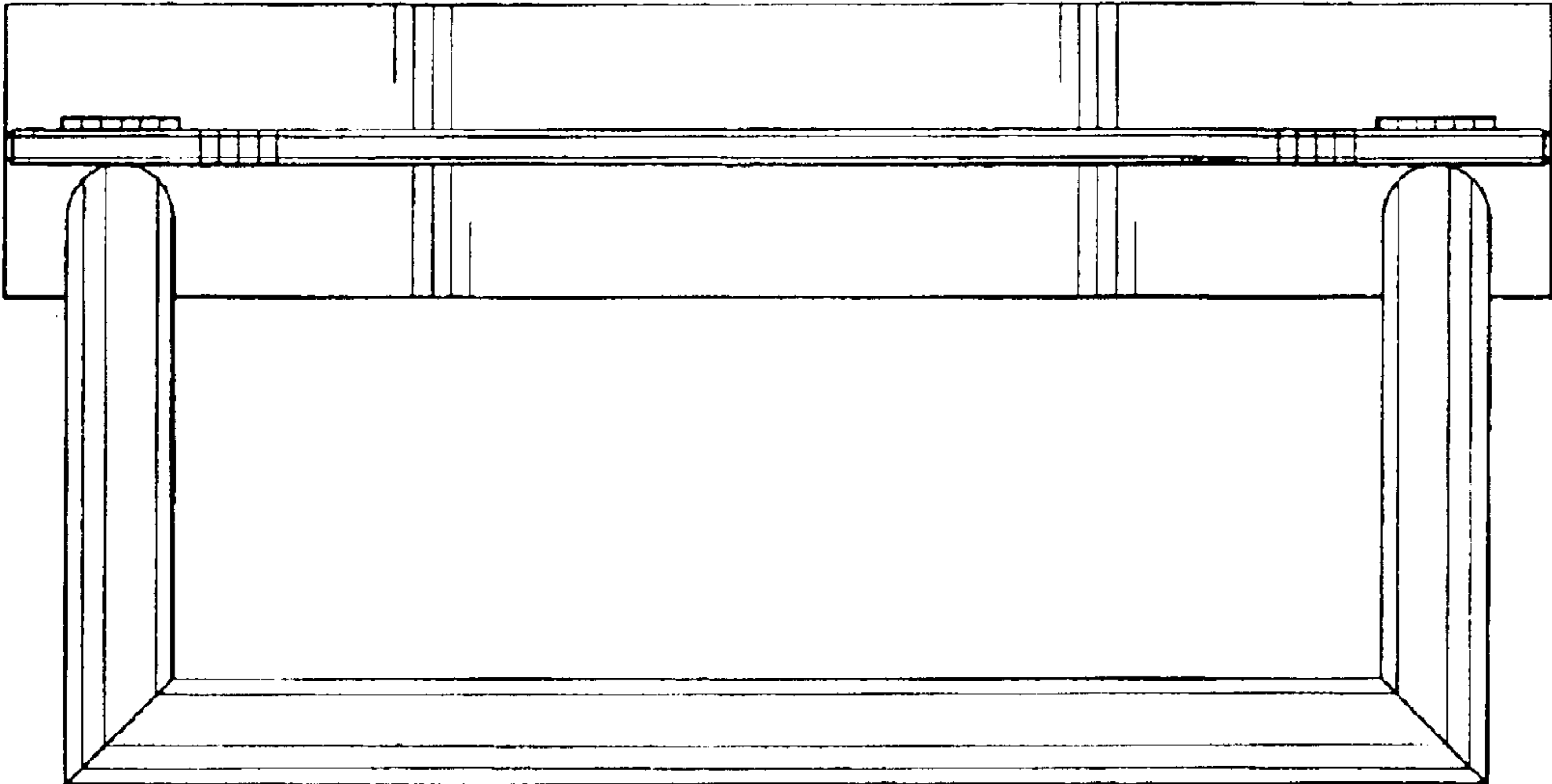


Fig-4

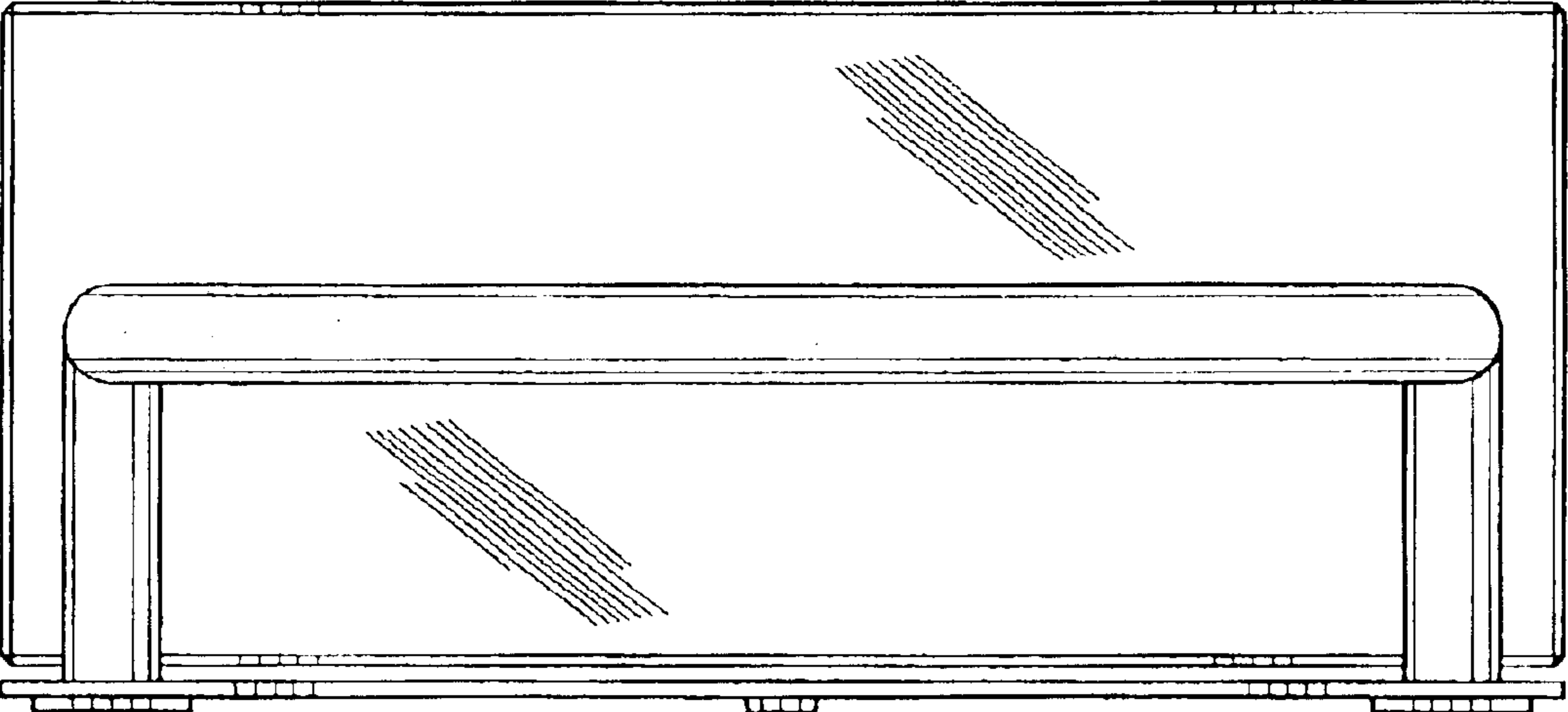


Fig-5

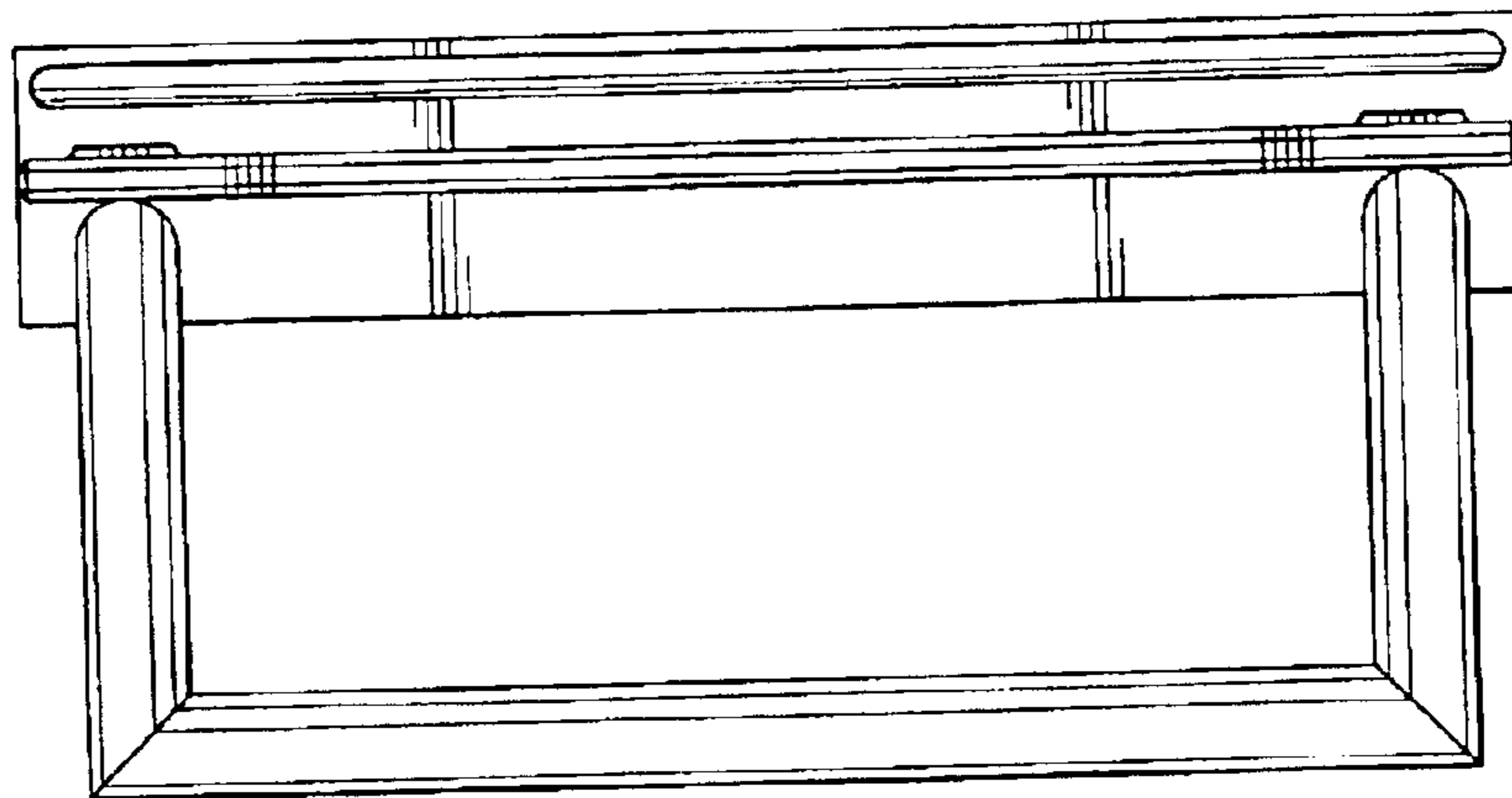
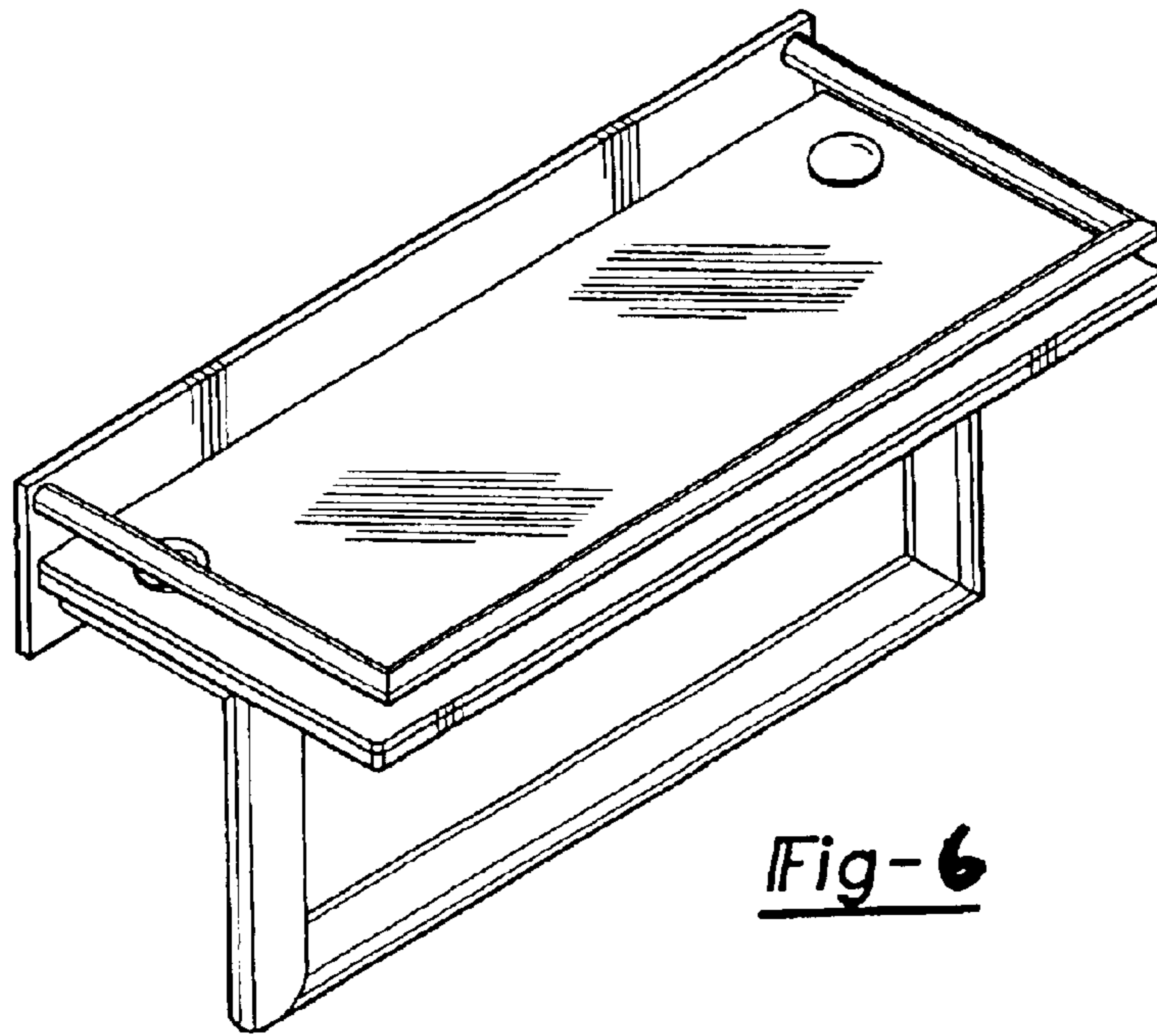


Fig-7

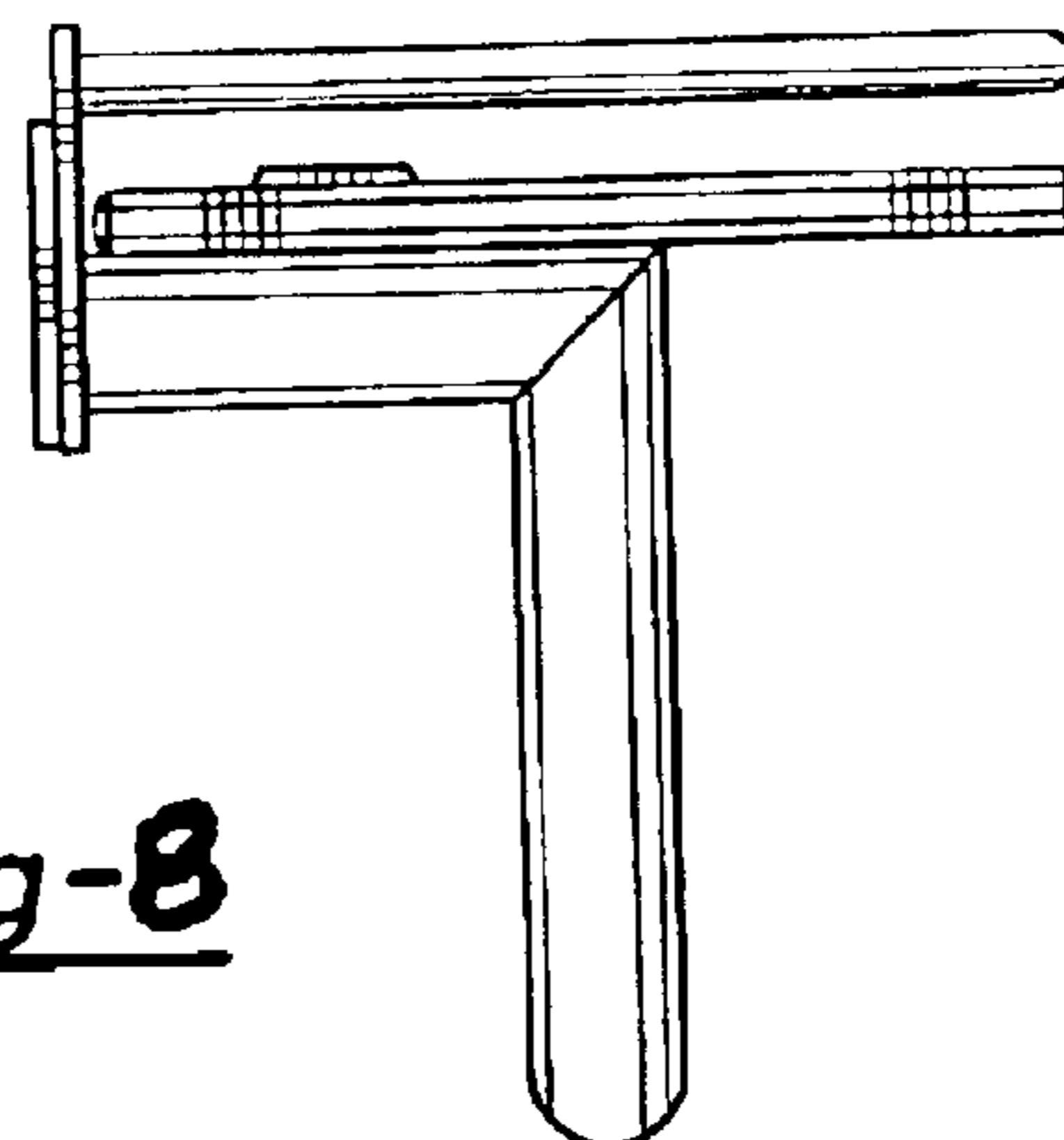


Fig-8

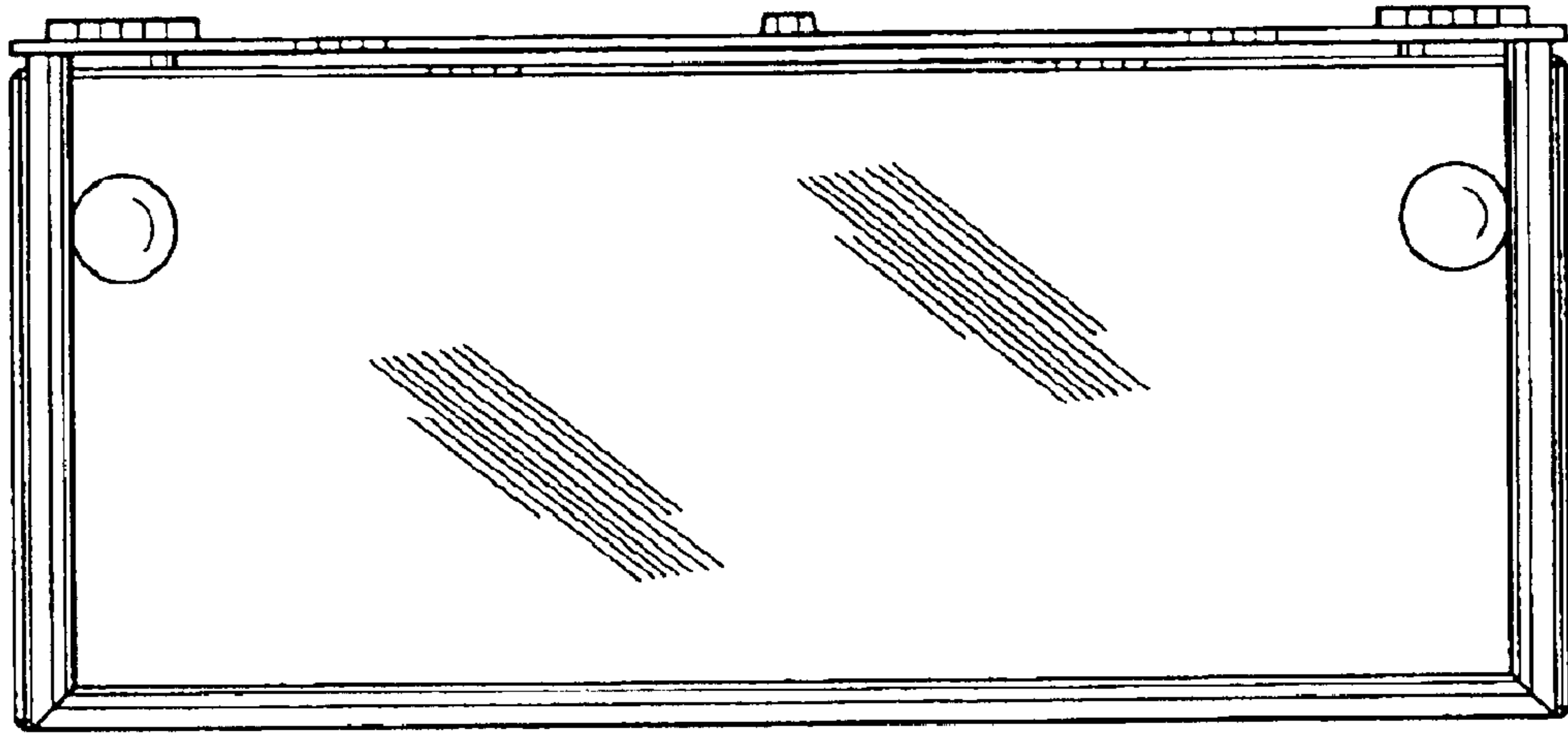


Fig-9

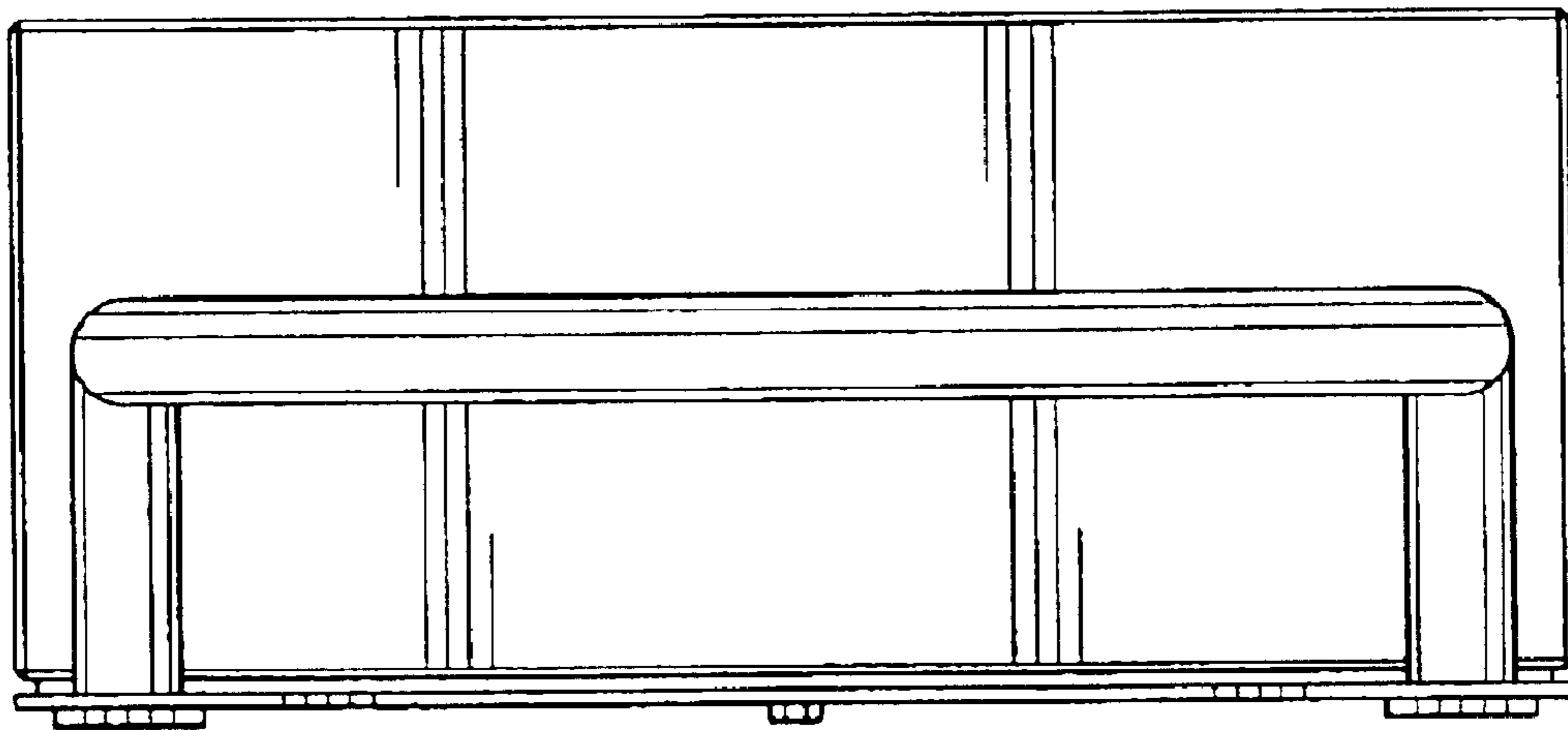


Fig-10