

US00D493310S1

(12) **United States Design Patent**  
**Ashby et al.**

(10) **Patent No.: US D493,310 S**  
(45) **Date of Patent: \*\* Jul. 27, 2004**

(54) **PERSONAL TABLE WITH DRAWER**

(75) Inventors: **Kent Ashby**, Logan, UT (US); **Edward VanNimwegen**, North Ogden, UT (US)

(73) Assignee: **Lifetime Products, Inc.**, Clearfield, UT (US)

(\*\*) Term: **14 Years**

(21) Appl. No.: **29/179,959**

(22) Filed: **Apr. 17, 2003**

(51) **LOC (7) Cl.** ..... **06-06**

(52) **U.S. Cl.** ..... **D6/511; D6/429**

(58) **Field of Search** ..... D6/48-489, 509-511,  
D6/491, 429-431; 108/153.1, 155, 157.1,  
161, 65, 69, 70, 77, 90, 67; 312/301

(56) **References Cited**

**U.S. PATENT DOCUMENTS**

|            |   |         |               |       |         |
|------------|---|---------|---------------|-------|---------|
| D132,875 S | * | 6/1942  | Cooper        | ..... | D6/430  |
| D358,954 S | * | 6/1995  | Leduc         | ..... | D6/480  |
| D418,997 S | * | 1/2000  | Leveen et al. | ..... | D6/429  |
| D427,649 S | * | 7/2000  | Mak           | ..... | D21/522 |
| D467,754 S | * | 12/2002 | Chen          | ..... | D6/429  |

\* cited by examiner

*Primary Examiner—Janice Seeger*

(74) *Attorney, Agent, or Firm—Workman Nydegger*

(57) **CLAIM**

The ornamental design for the personal table with drawer, as shown and described.

**DESCRIPTION**

FIG. 1 is a perspective view of a personal table with a drawer;

FIG. 2 is a top view of the personal table with a drawer shown in FIG. 1;

FIG. 3 is a bottom view of the personal table with a drawer shown in FIG. 1;

FIG. 4 is a front view of the personal table with a drawer shown in FIG. 1;

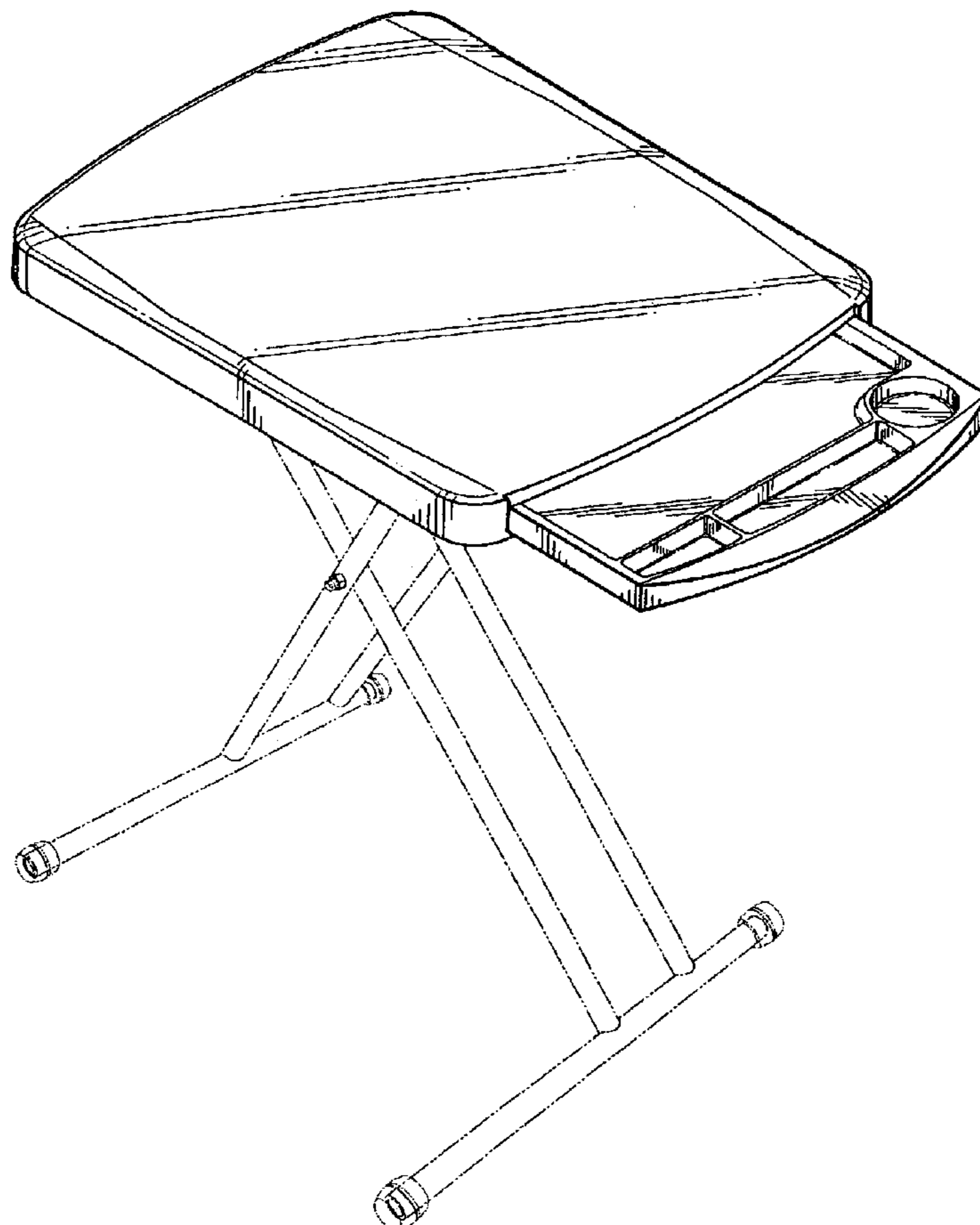
FIG. 5 is a rear view of the personal table with a drawer shown in FIG. 1;

FIG. 6 is a left side view of the personal table with a drawer shown in FIG. 1; and,

FIG. 7 is a right side view of the personal table with a drawer shown in FIG. 1.

The broken lines shown in the figures are for illustrative purposes only and form no part of the claimed design.

**1 Claim, 3 Drawing Sheets**



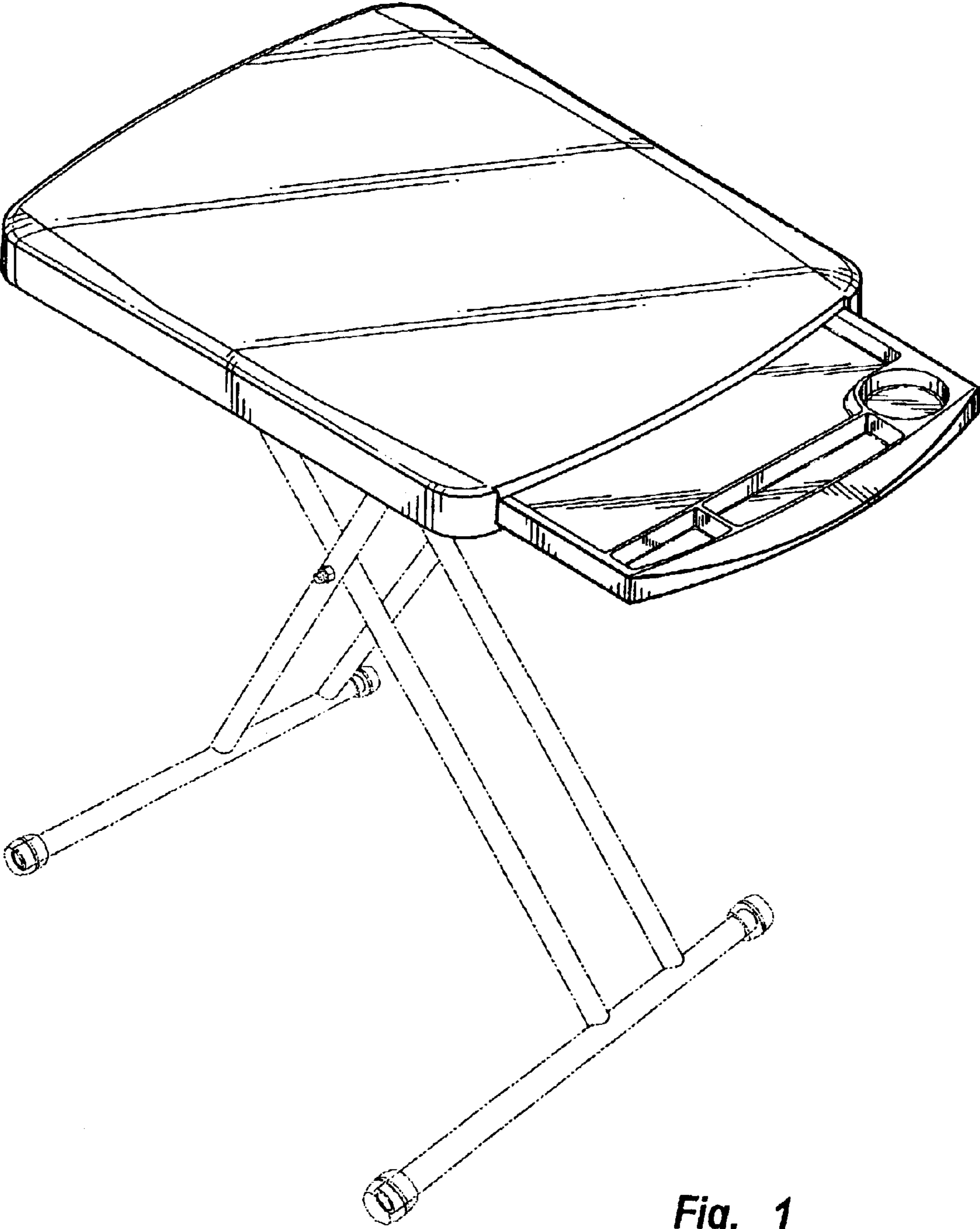
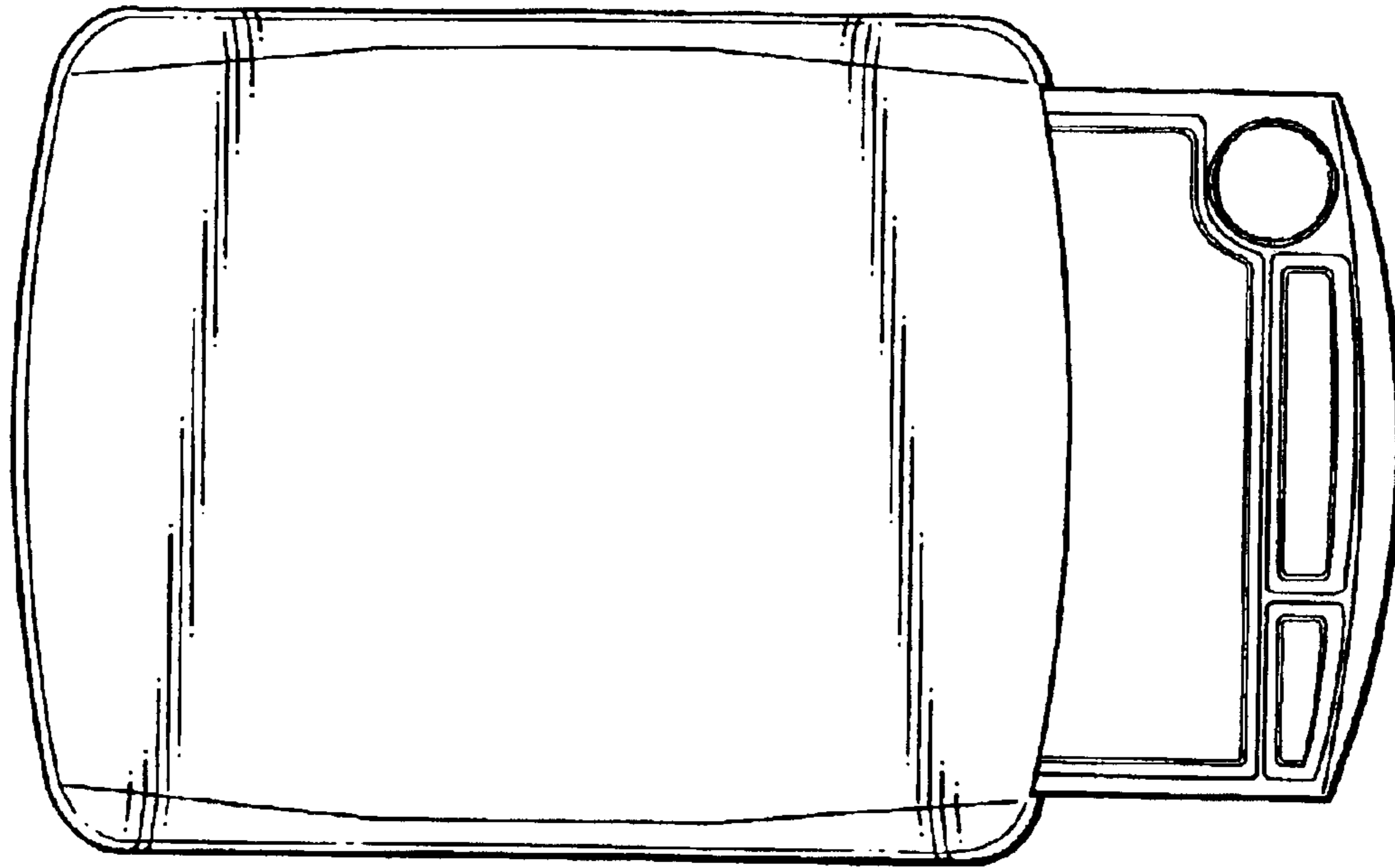
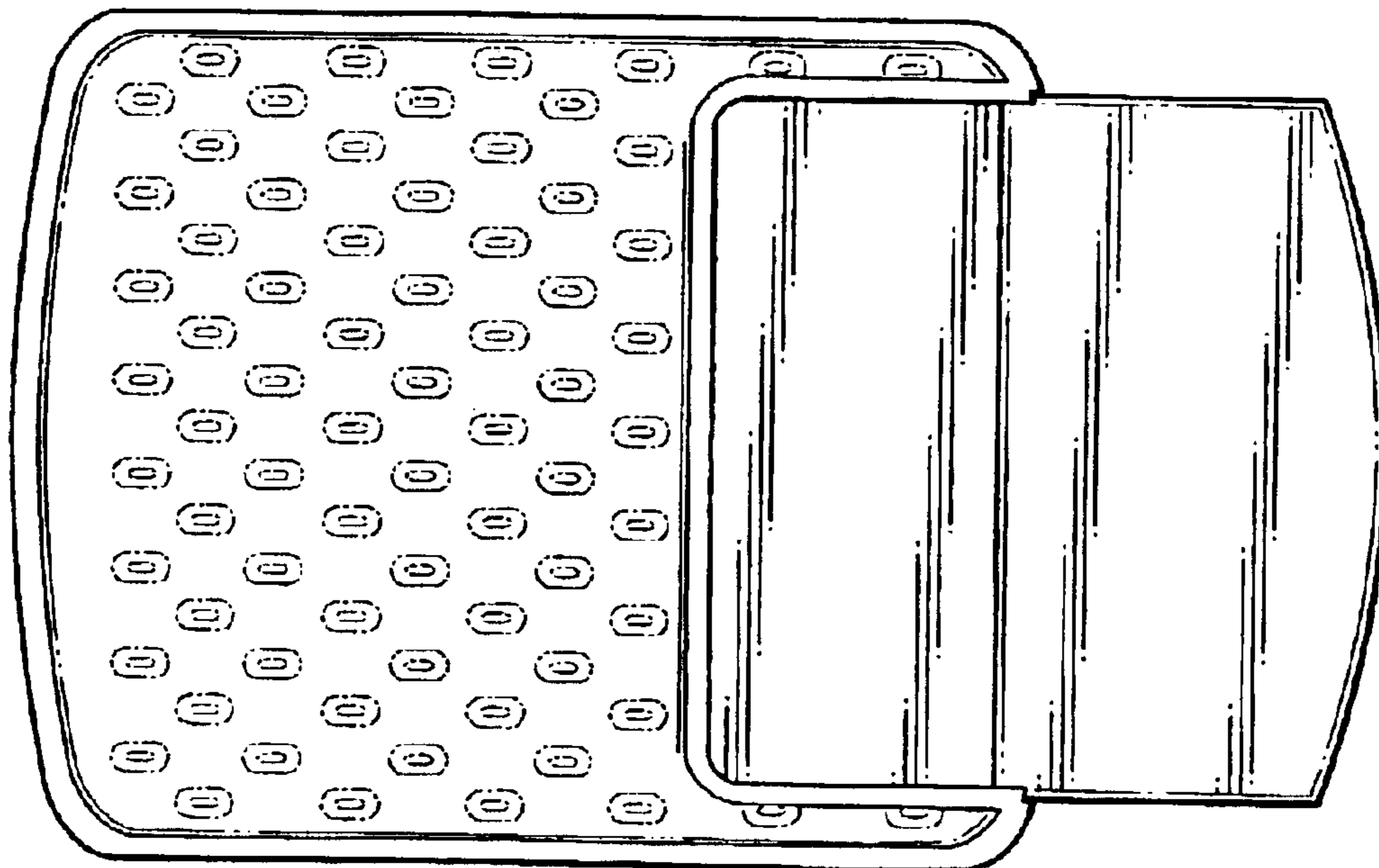


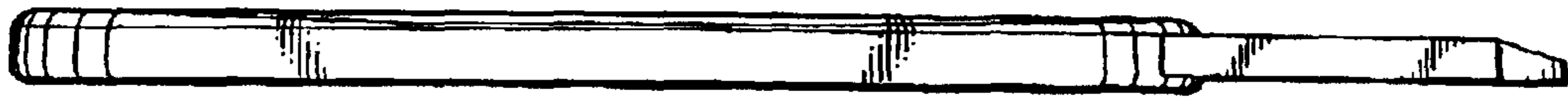
Fig. 1



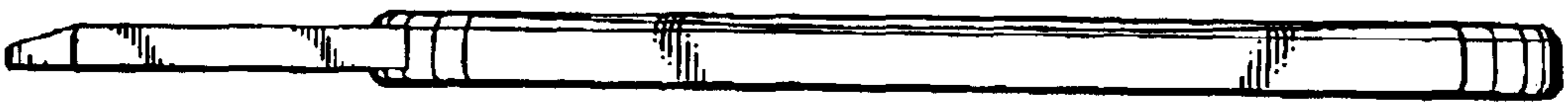
**Fig. 2**



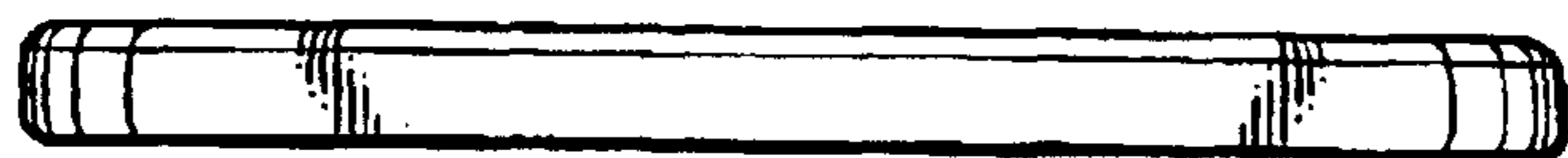
**Fig. 3**



*Fig. 4*



*Fig. 5*



*Fig. 6*



*Fig. 7*