



US00D493309S1

(12) **United States Design Patent**
Moss et al.

(10) **Patent No.: US D493,309 S**
(45) **Date of Patent: ** Jul. 27, 2004**

(54) **DISPLAY STAND MERCHANDISE TRAY**

(76) Inventors: **Geoffrey Alan Moss**, 50 Genoa Road,
Maple, Ontario (CA), L6A 2Y4; **David**
Brian Minister, 1 Red Cedarway,
Toronto, Ontario (CA), M1B 1A1

(**) Term: **14 Years**

(21) Appl. No.: **29/193,095**

(22) Filed: **Nov. 4, 2003**

(51) **LOC (7) Cl.** **06-04**

(52) **U.S. Cl.** **D6/510; D6/511**

(58) **Field of Search** D6/509-513, 552,
D6/553, 566, 574, 449, 455-468, 473-475;
D3/304, 306, 309; D9/432, 433, 456; 108/51.3,
102, 108; 206/784; 211/86.01, 88.01, 90.01,
90.02, 119.003, 153; 229/913, 914

(56) **References Cited**

U.S. PATENT DOCUMENTS

3,193,108 A * 7/1965 Johnson 211/153
D237,672 S * 11/1975 Taub D6/510
D293,531 S * 1/1988 Wright et al. D6/511

6,557,711 B2 * 5/2003 Grueneberg 211/119.003

* cited by examiner

Primary Examiner—Mimosa De

(74) *Attorney, Agent, or Firm*—David W. Wong

(57) **CLAIM**

The ornamental design of a display stand merchandise tray,
as shown and described.

DESCRIPTION

FIG. 1 is a top front perspective view of the display stand merchandise tray showing our design.

FIG. 2 is a bottom front perspective view thereof.

FIG. 3 is an enlarged left side elevational view thereof.

FIG. 4 is an enlarged right side elevational view thereof.

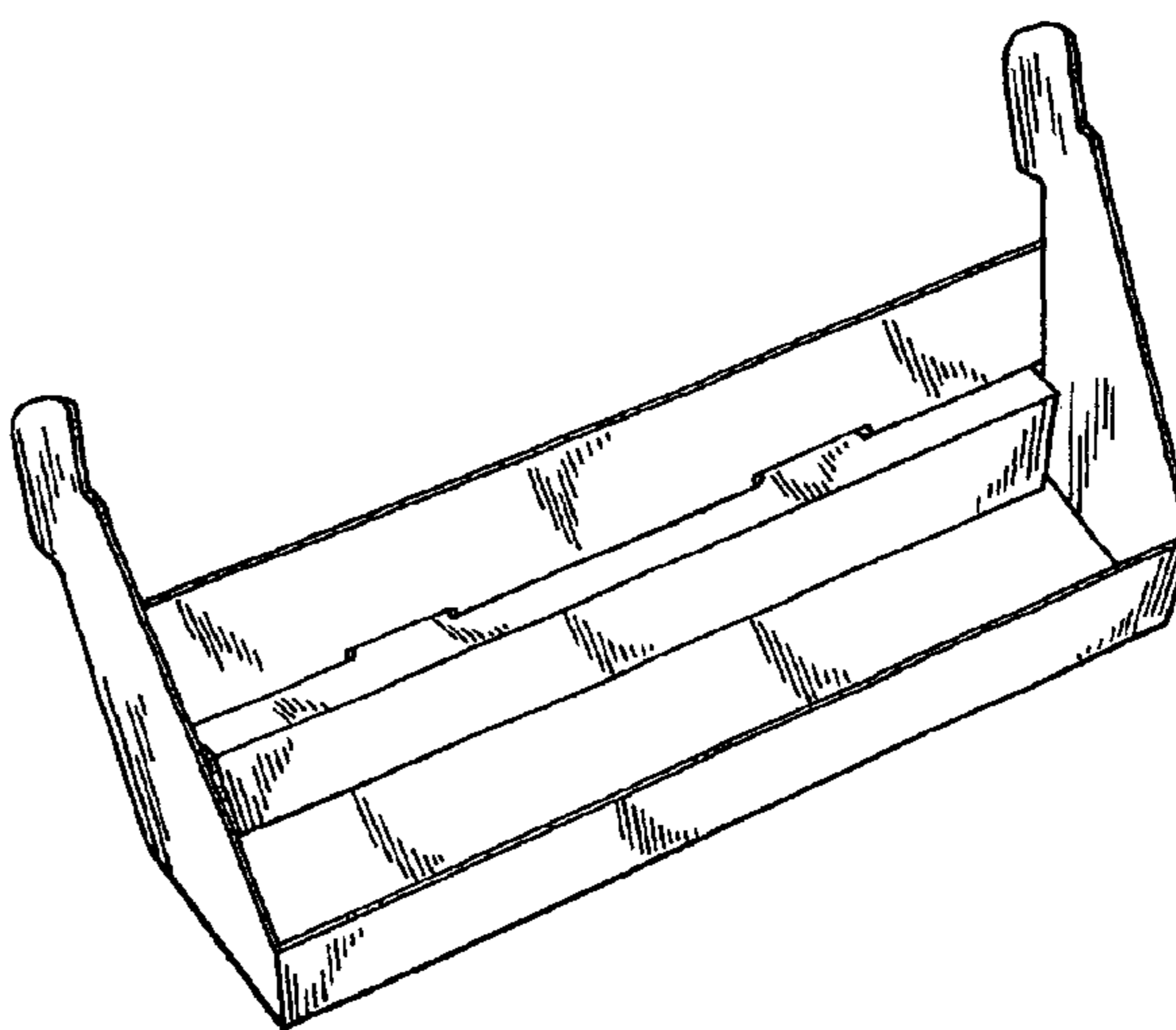
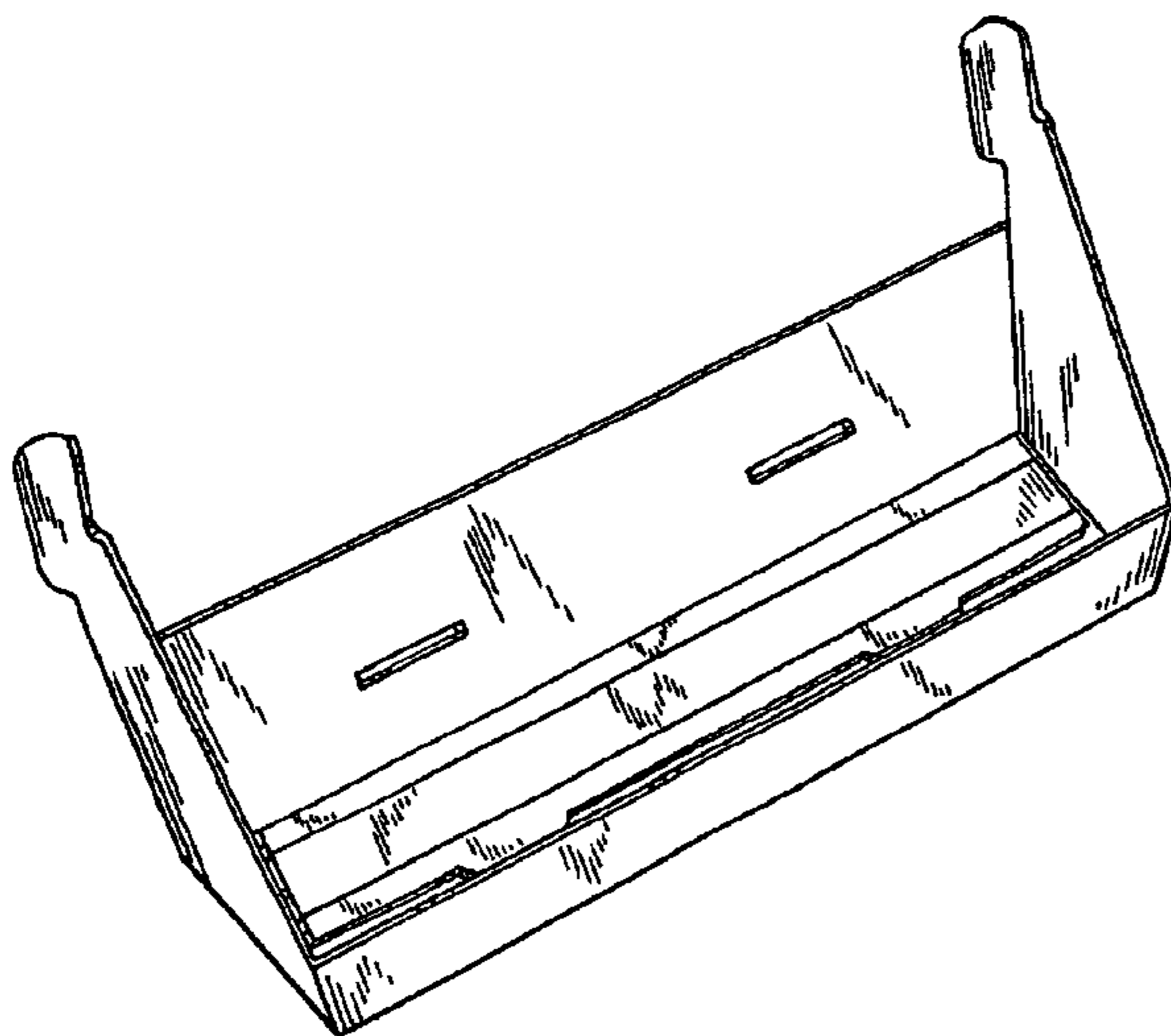
FIG. 5 is a top front perspective view thereof showing the bottom foldable board in the tray in a slightly bent up position.

FIG. 6 is a top front perspective view thereof showing the rectangular step formed by folding the board upwards with the tabs therein engaged with the two slots located in the rear panel of the tray.

FIG. 7 is a rear perspective view thereof; and,

FIG. 8 is a bottom rear perspective view thereof.

1 Claim, 4 Drawing Sheets



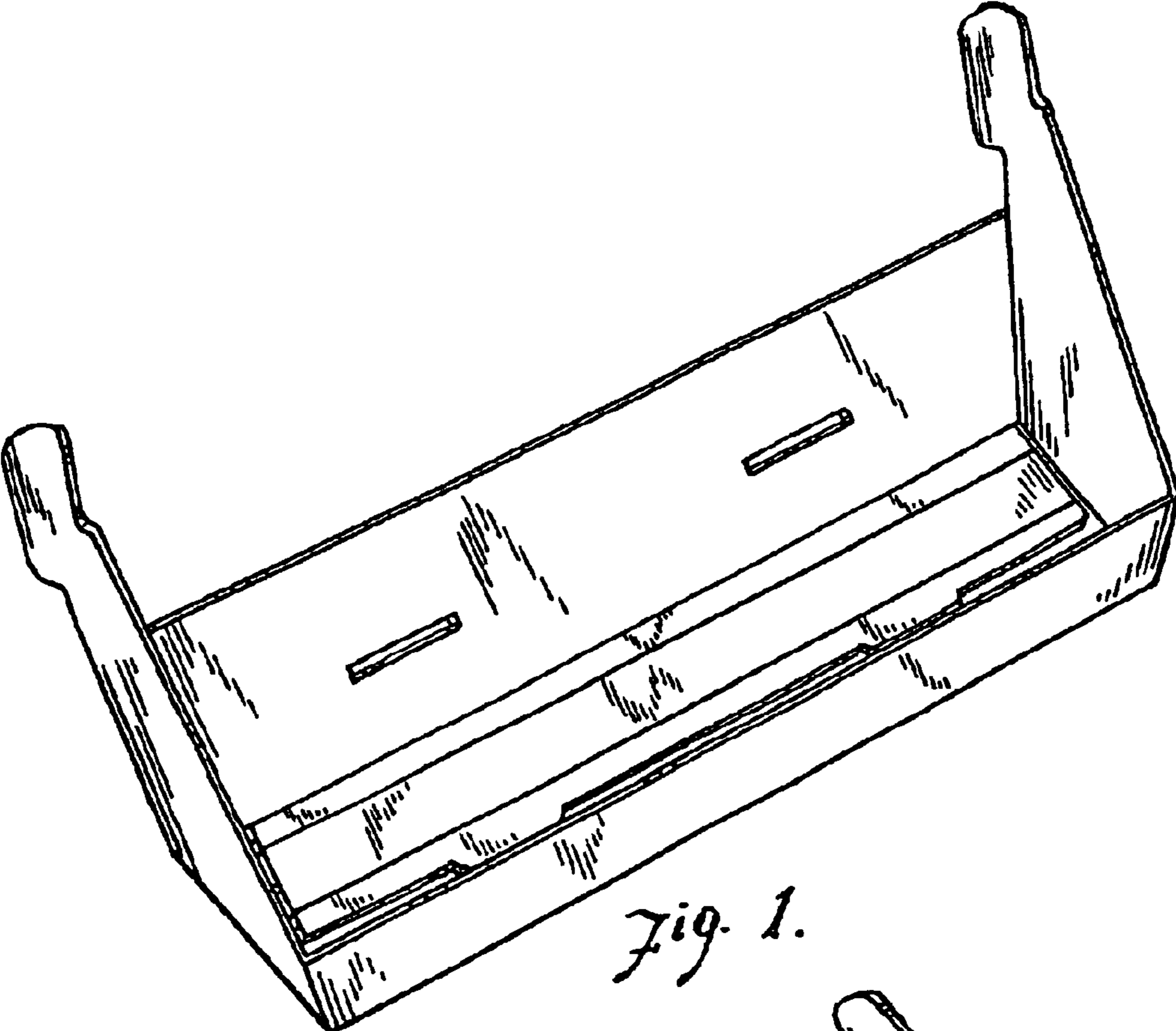


Fig. 1.

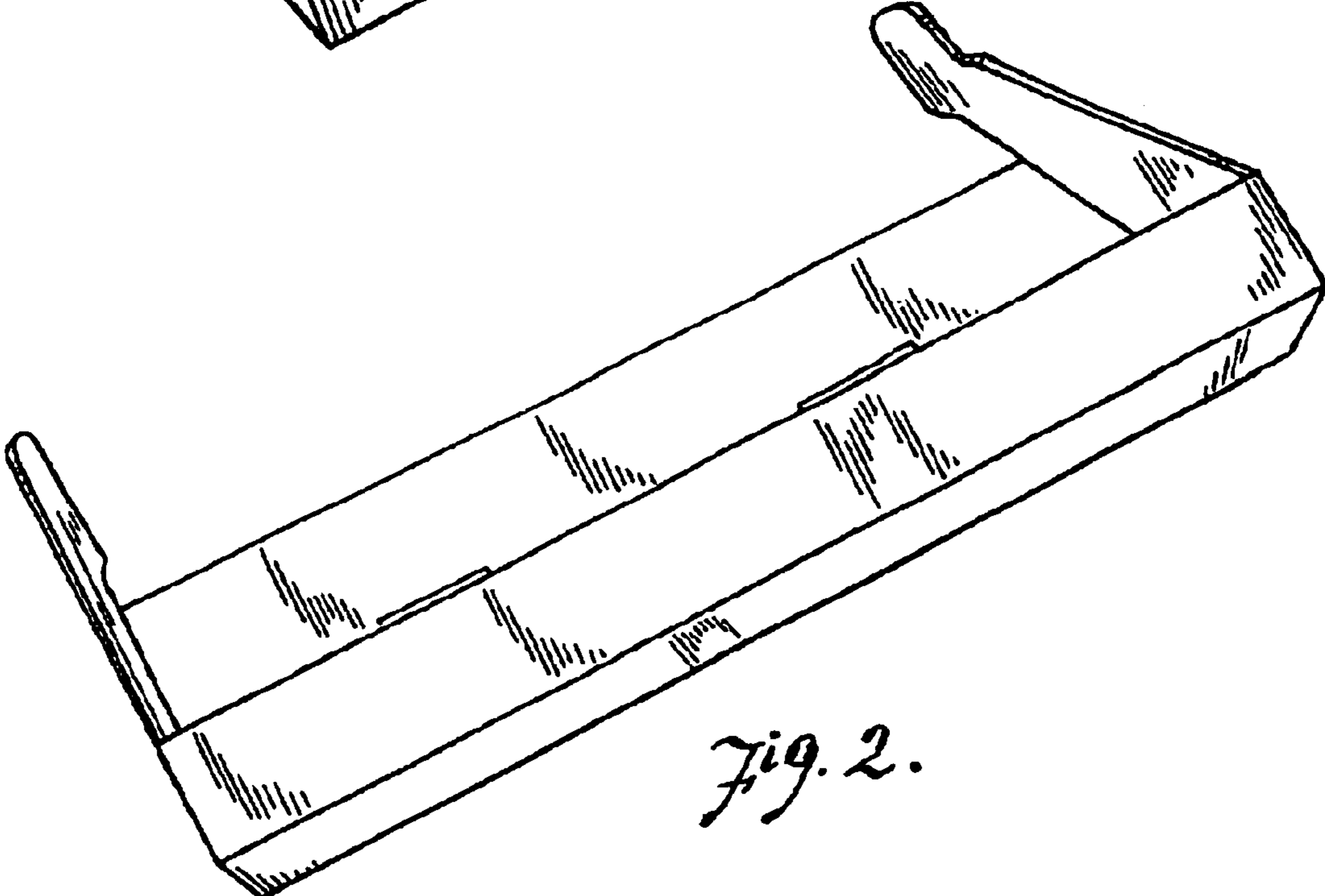


Fig. 2.



Fig. 3.



Fig. 4.

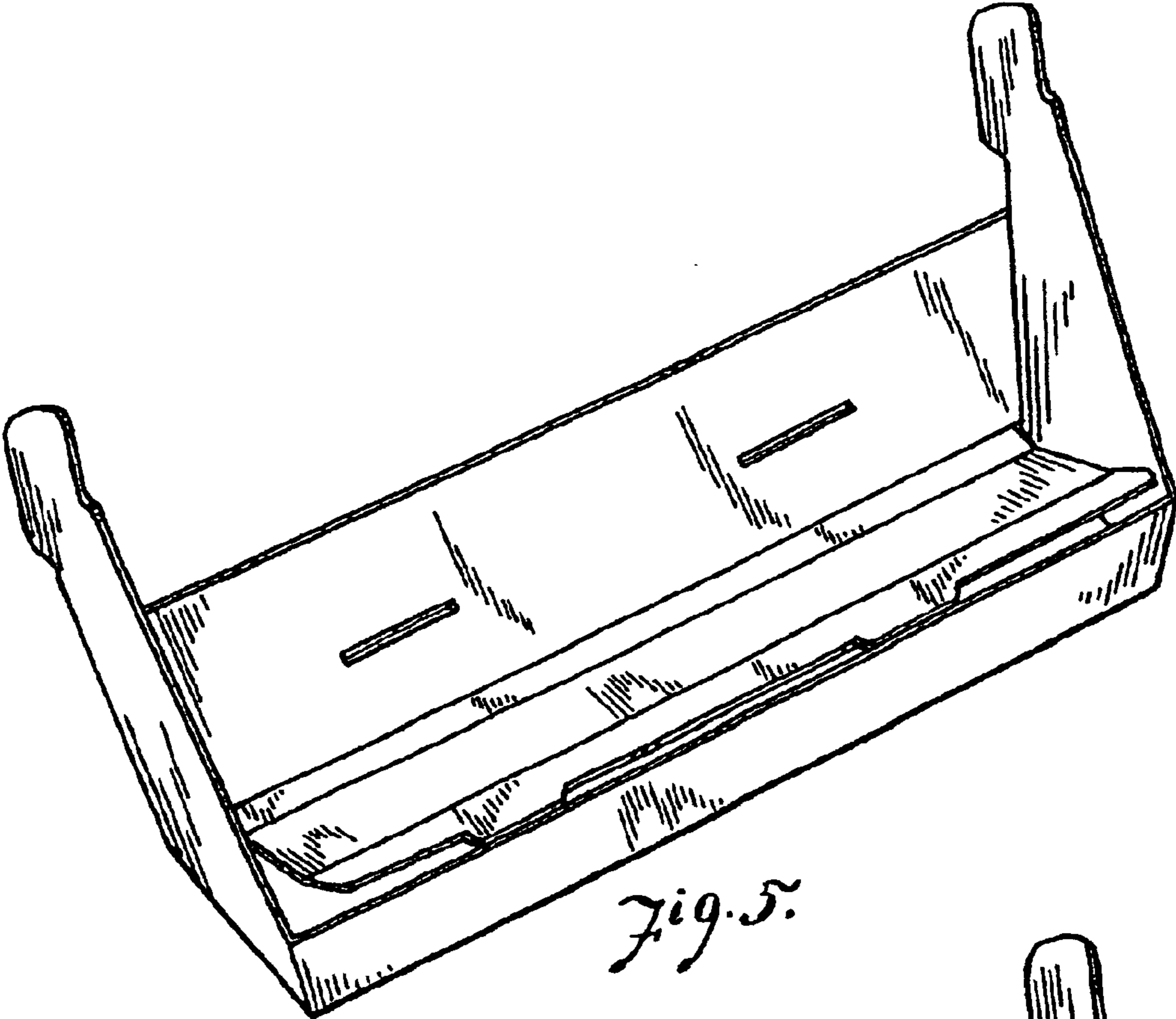


Fig. 5.

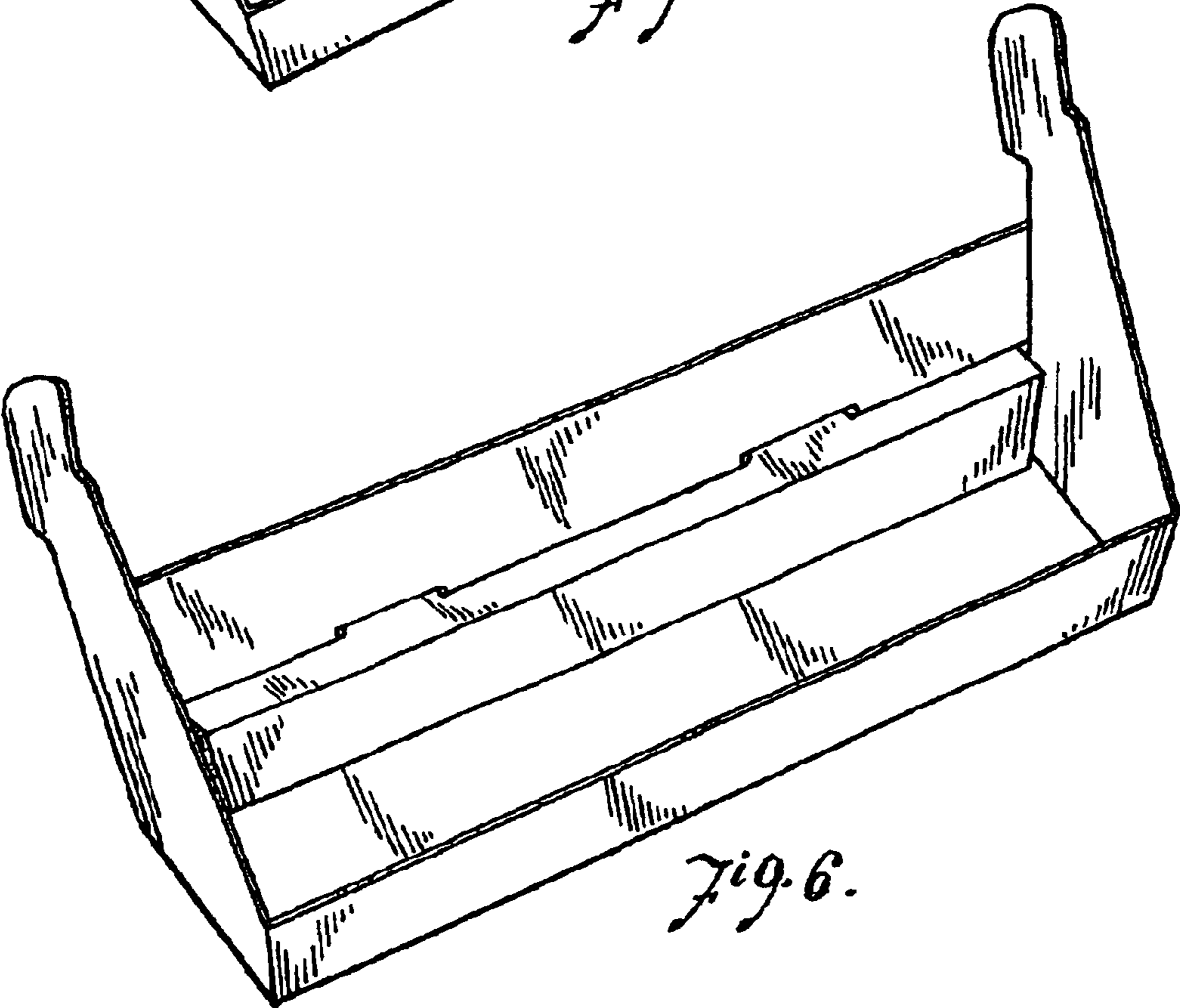


Fig. 6.

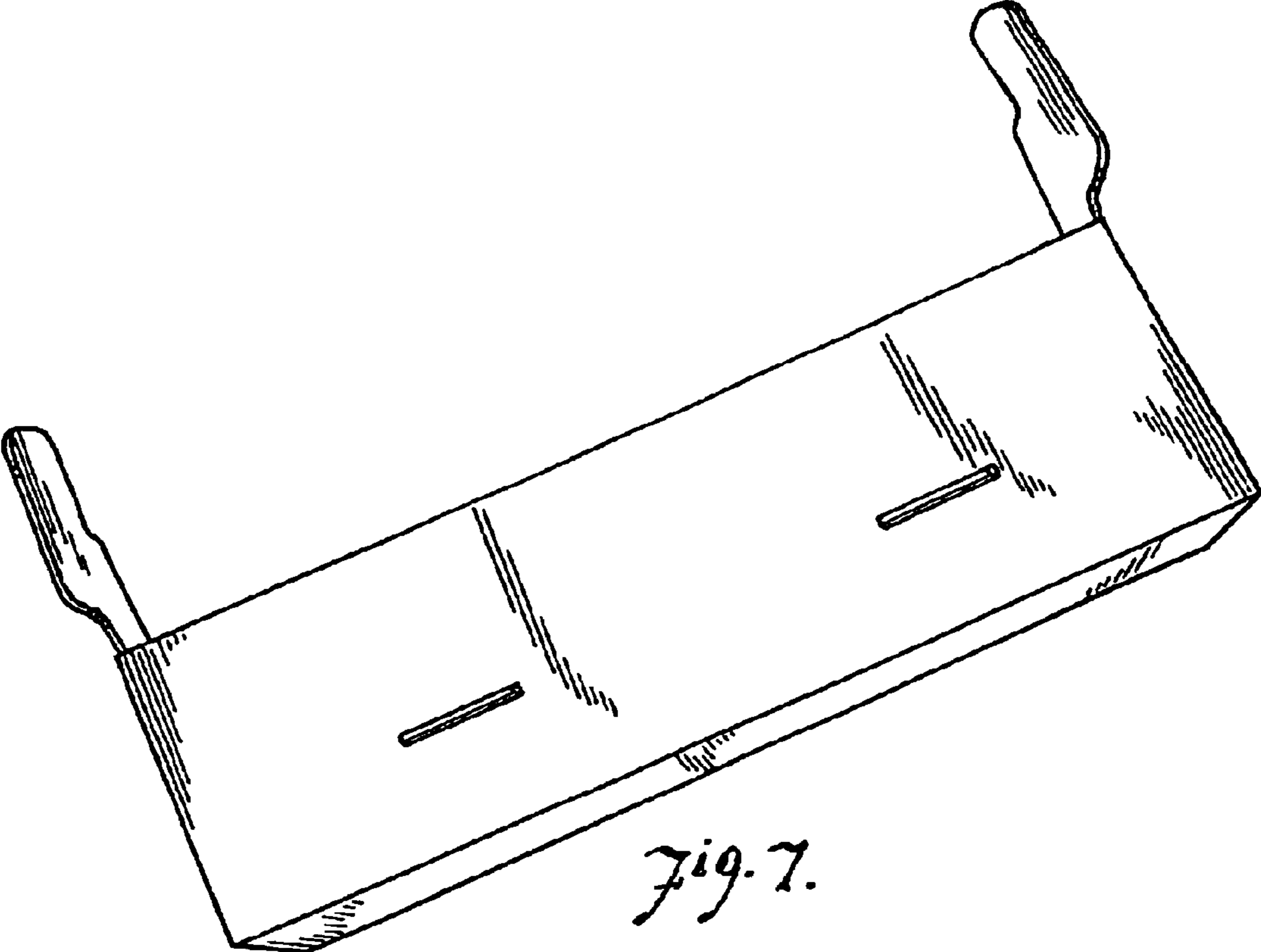


Fig. 7.

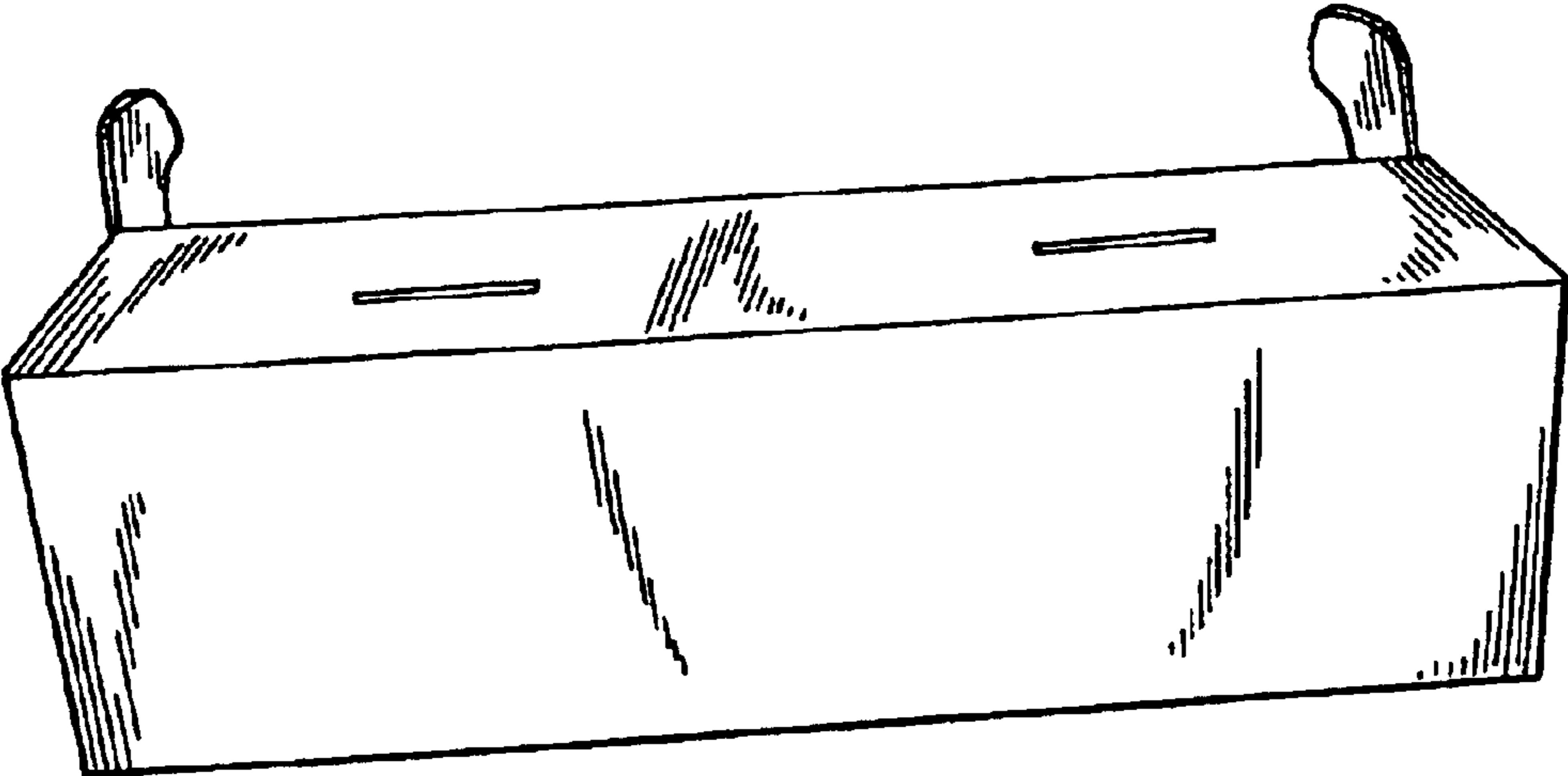


Fig. 8.