

US00D493307S1

(12) **United States Design Patent**
Lenger

(10) **Patent No.:** **US D493,307 S**
(45) **Date of Patent:** **** Jul. 27, 2004**

(54) **TABLE PEDESTAL COMPONENT**
(75) **Inventor:** **Sidney A. Lenger**, Kernersville, NC
(US)

D79,193 S 8/1929 Joham D6/495
D81,383 S 6/1930 Candlish D6/495
D83,873 S 4/1931 Moorehead D6/495
D86,608 S 3/1932 Kratz D6/495
D482,548 S * 11/2003 Lenger D6/495

(73) **Assignee:** **American Signature, Inc.**, Columbus,
OH (US)

* cited by examiner

(**) **Term:** **14 Years**

Primary Examiner—Janice Seeger

(21) **Appl. No.:** **29/186,748**

(74) *Attorney, Agent, or Firm*—Wood, Herron & Evans,
L.L.P.

(22) **Filed:** **Jul. 22, 2003**

(57) **CLAIM**

Related U.S. Application Data

The ornamental design for a table pedestal component, as
shown and described.

(62) Division of application No. 29/163,515, filed on Jul. 5, 2002,
now Pat. No. Des. 482,548.

DESCRIPTION

(51) **LOC (7) Cl.** **06-03**
(52) **U.S. Cl.** **D6/495; D6/497**
(58) **Field of Search** D6/480–489, 495,
D6/499, 497, 451, 446, 436; 108/150, 153.1,
155, 156, 157.1, 161; 248/188, 188.1, 188.8

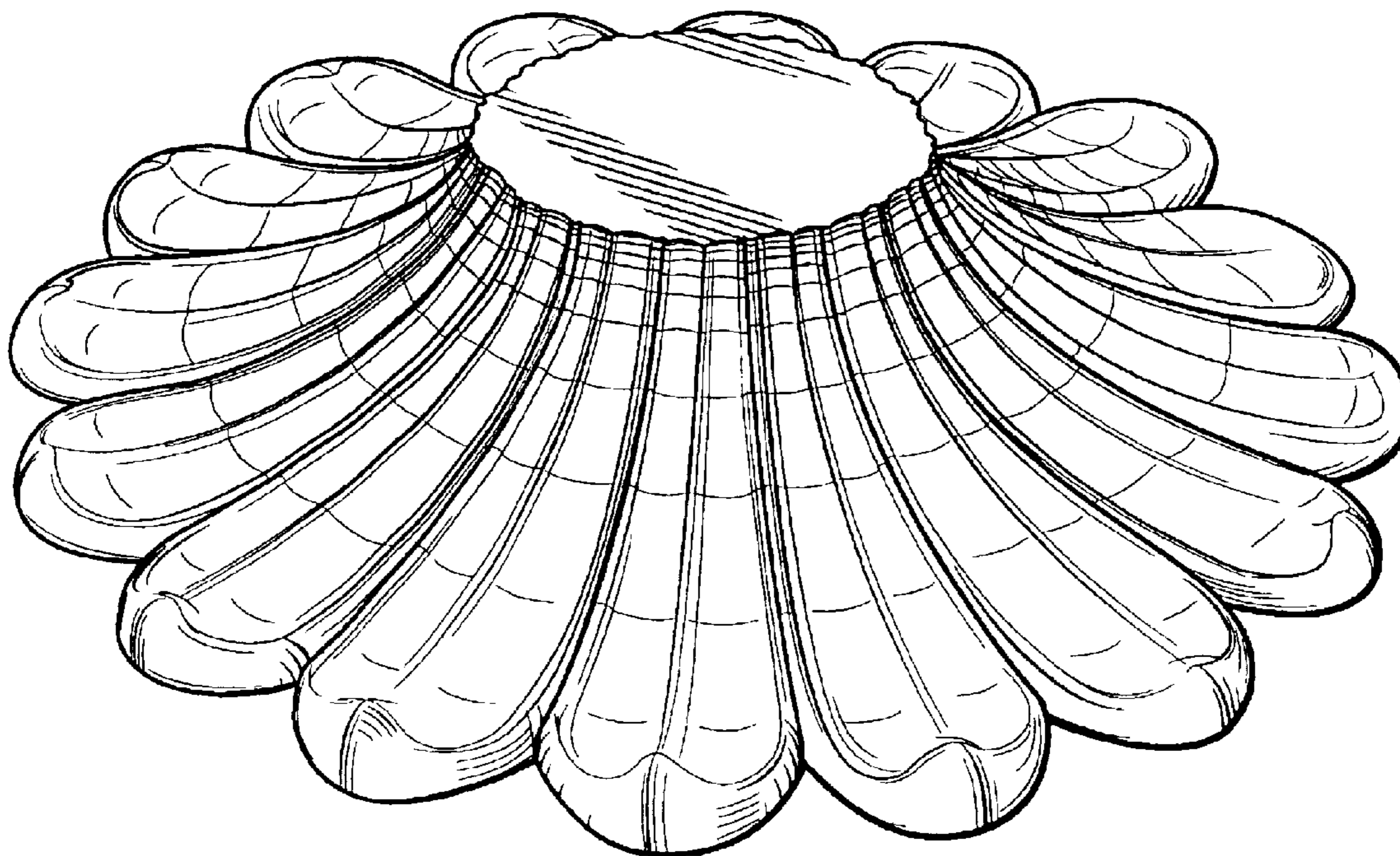
FIG. 1 is a perspective view of a table pedestal component
incorporating my new design;
FIG. 2 is a front elevational view thereof, with the right-side
elevational view, the rear elevational view, and the left-side
elevational view being identical to FIG. 2;
FIG. 3 is a top plan view thereof; and,
FIG. 4 is a bottom plan view thereof.
The broken lines shown in the figures are for illustrative
purposes only and form no part of the claimed design.

(56) **References Cited**

U.S. PATENT DOCUMENTS

D72,071 S 2/1927 Palmenberg D6/495

1 Claim, 3 Drawing Sheets



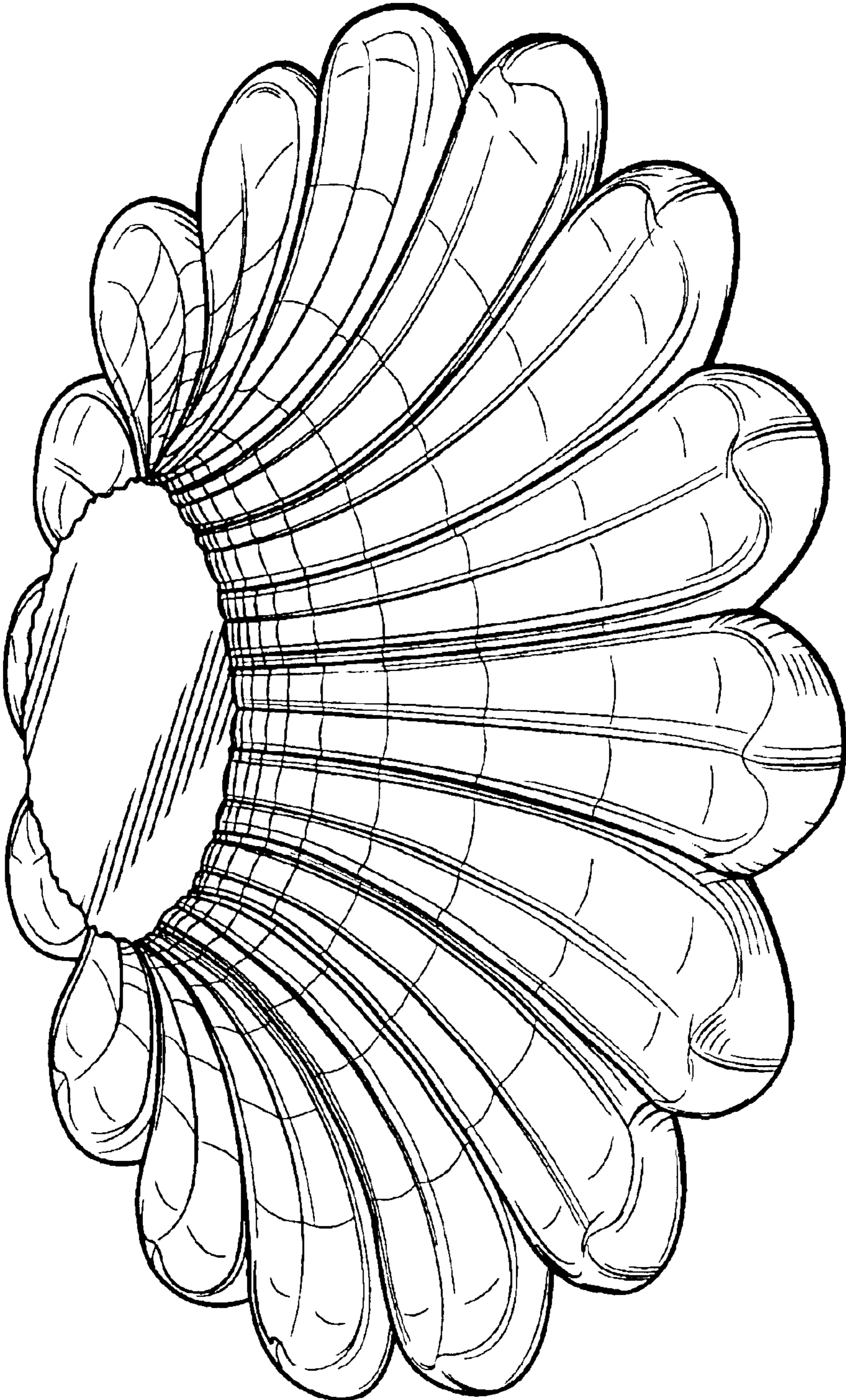


FIG. 1

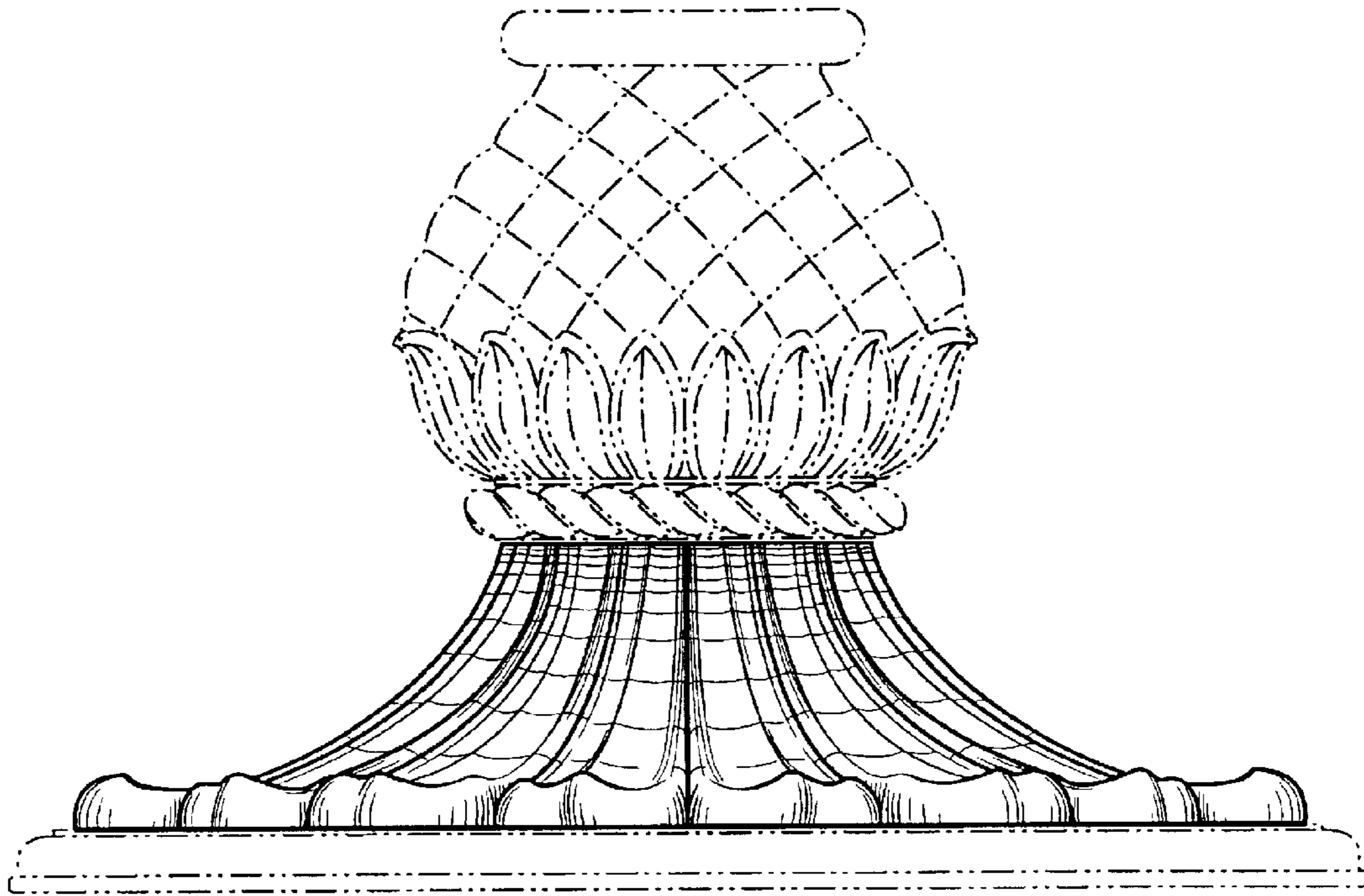


FIG. 2

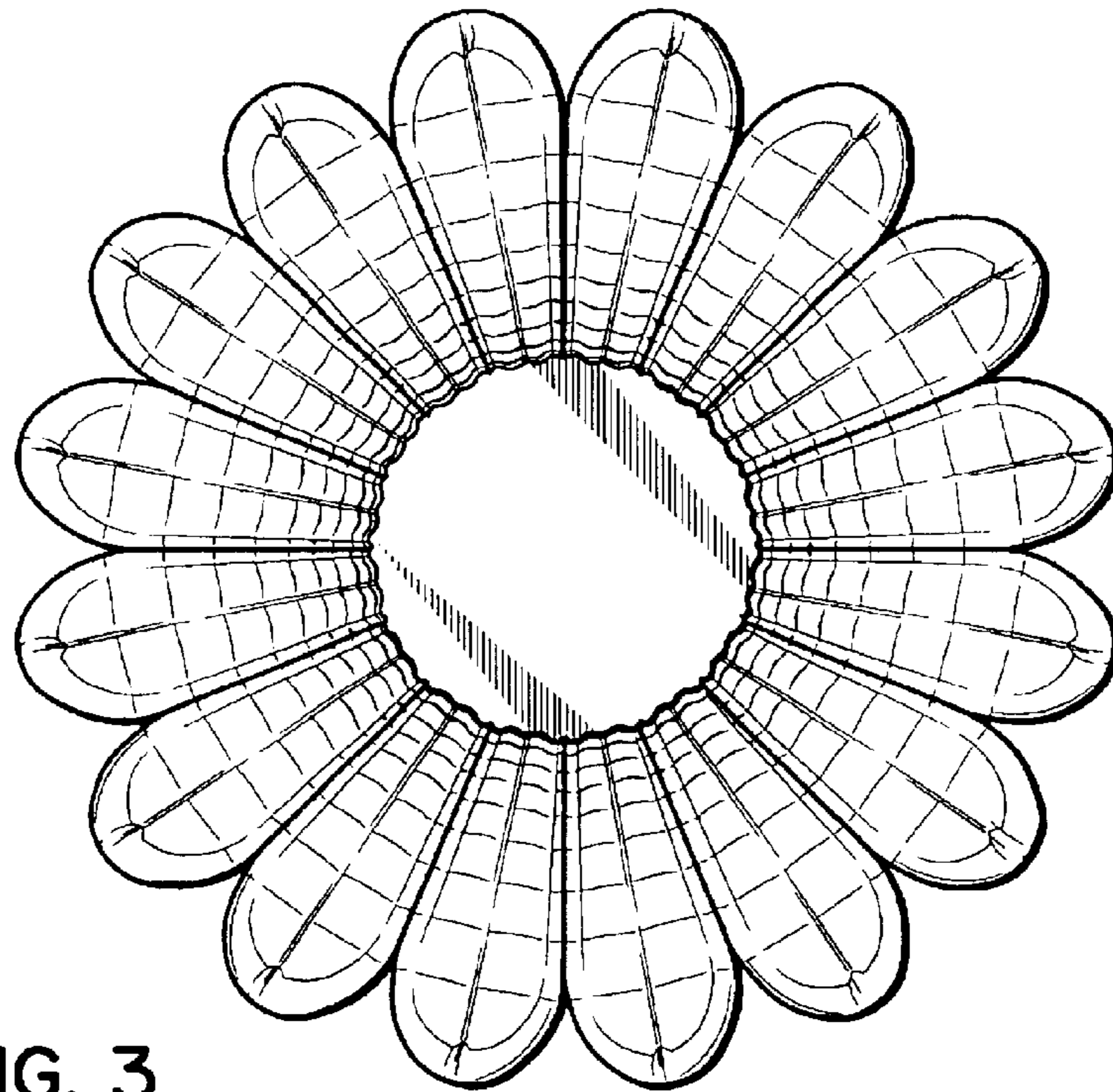


FIG. 3

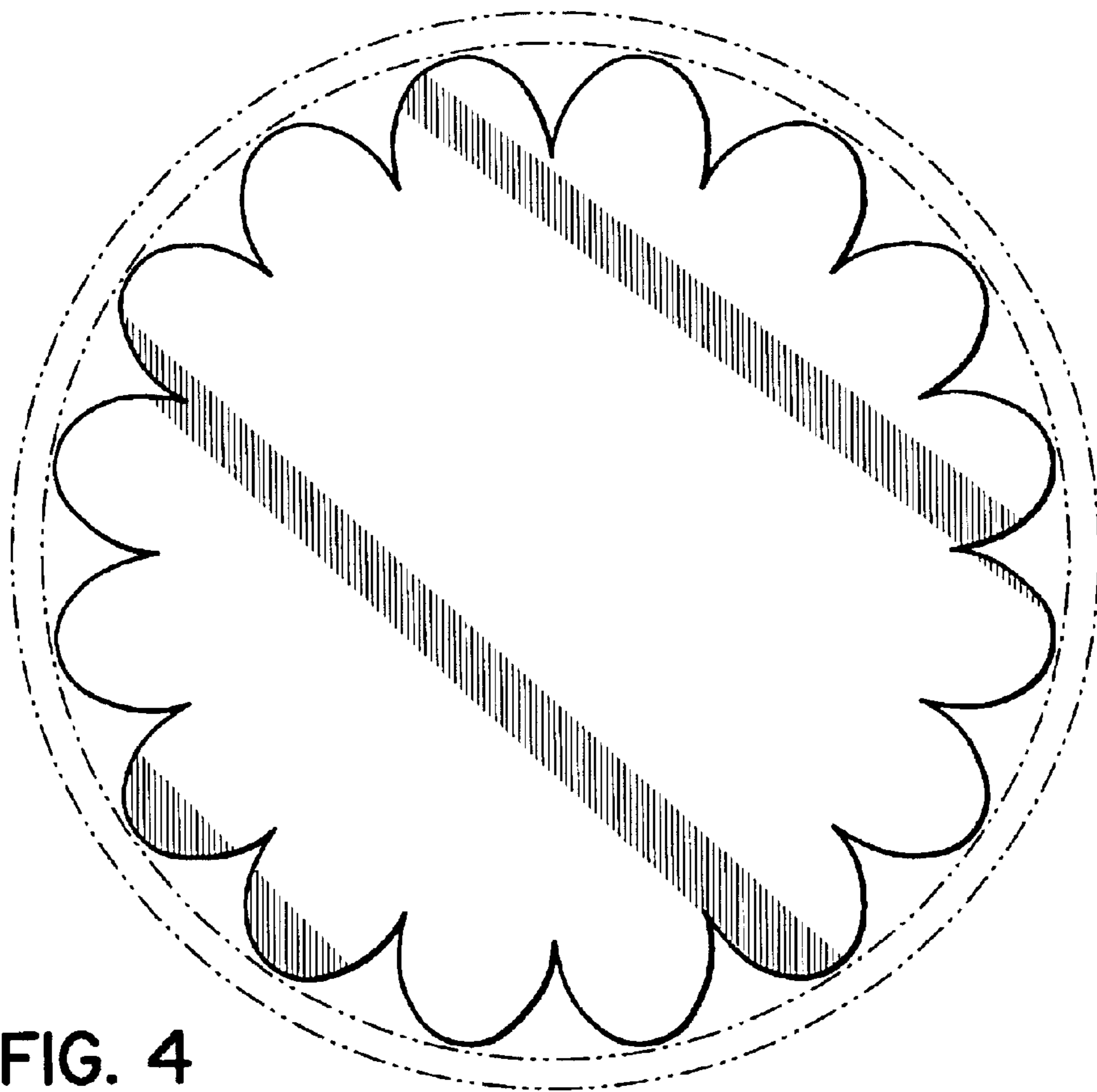


FIG. 4