



US00D493304S1

(12) **United States Design Patent**  
**Shaw**

(10) **Patent No.:** **US D493,304 S**  
(45) **Date of Patent:** **\*\* Jul. 27, 2004**

(54) **DISPLAY CASE FOR STACKED BAGGED PRODUCTS**

(75) Inventor: **Mark C. Shaw**, Knox, IN (US)

(73) Assignee: **Knox Fertilizer Company, Inc.**, Knox, IN (US)

(\*\*) Term: **14 Years**

(21) Appl. No.: **29/185,391**

(22) Filed: **Jun. 26, 2003**

(51) **LOC (7) Cl.** ..... **06-04**

(52) **U.S. Cl.** ..... **D6/476; D6/466**

(58) **Field of Search** ..... D6/449, 466, 467, D6/475, 476, 510; D3/308, 309, 315, 905; 206/349, 372; 211/13.1, 42, 70.6; 217/19, 62; 220/553, DIG. 2; D9/418, 516-517

(56) **References Cited**

**U.S. PATENT DOCUMENTS**

- 1,799,657 A \* 4/1931 Tinsley ..... 220/DIG. 2
- D126,436 S \* 4/1941 Hutchings ..... D3/309
- D142,272 S \* 8/1945 Dernehl ..... D3/309

- D150,379 S \* 7/1948 Spencer ..... D6/476
- D155,661 S \* 10/1949 Wahlbom ..... D3/309
- D171,645 S \* 3/1954 Fraley ..... D6/476
- 2,835,406 A \* 5/1958 Dickerson ..... 220/553
- 4,122,944 A \* 10/1978 De Napoli ..... 206/349
- D346,682 S \* 5/1994 Trovato ..... D3/308
- D474,891 S \* 5/2003 Huang ..... D3/309

\* cited by examiner

*Primary Examiner*—Mimosa De

(74) *Attorney, Agent, or Firm*—Baker & Daniels

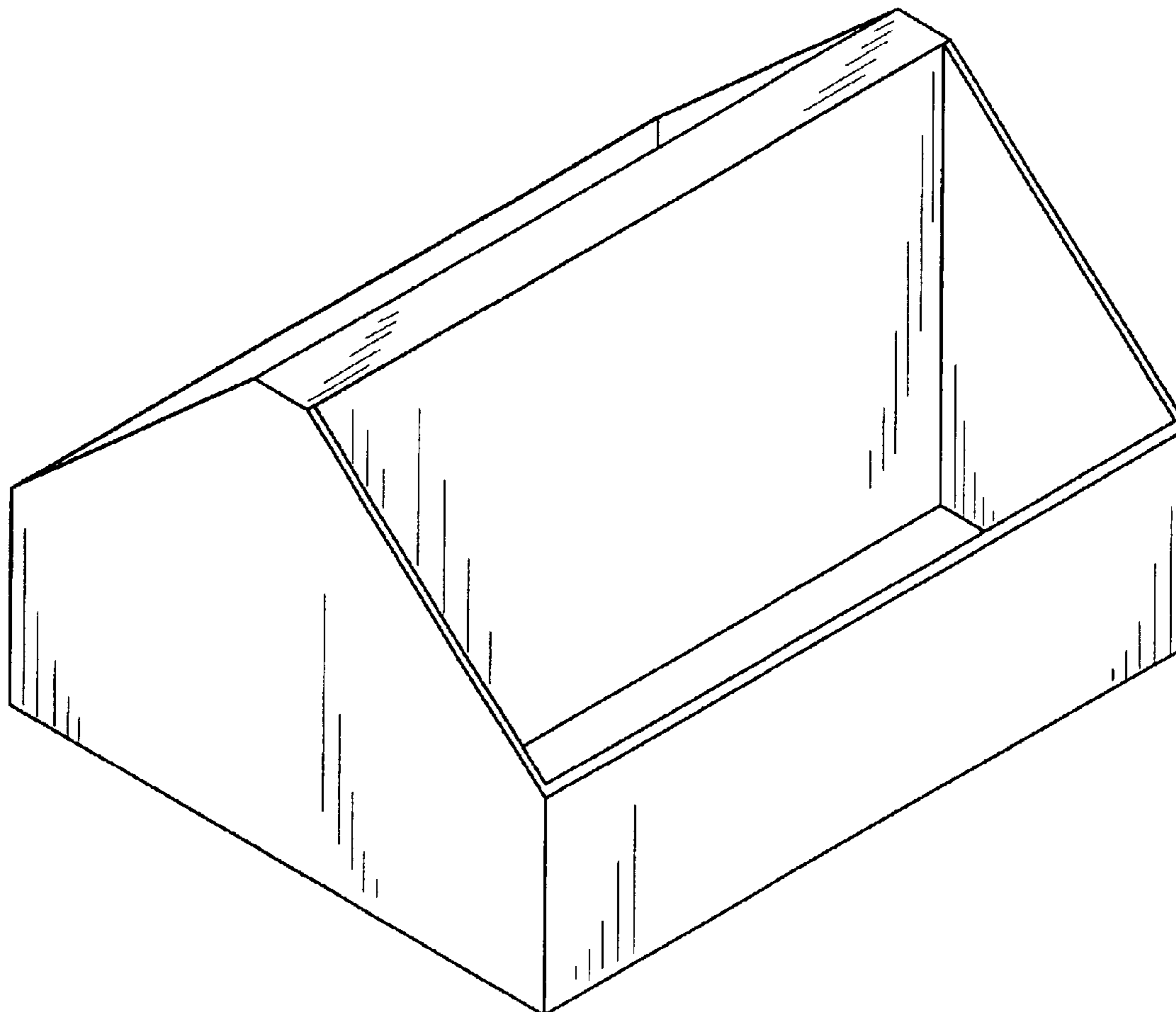
(57) **CLAIM**

I claim the ornamental design for a display case for stacked bagged products, as shown and described.

**DESCRIPTION**

FIG. 1 is a perspective view of the display case for stacked bagged products;  
FIG. 2 is a side view thereof;  
FIG. 3 is a front view thereof;  
FIG. 4 is a bottom plan view thereof; and,  
FIG. 5 is a top plan view thereof.

**1 Claim, 4 Drawing Sheets**



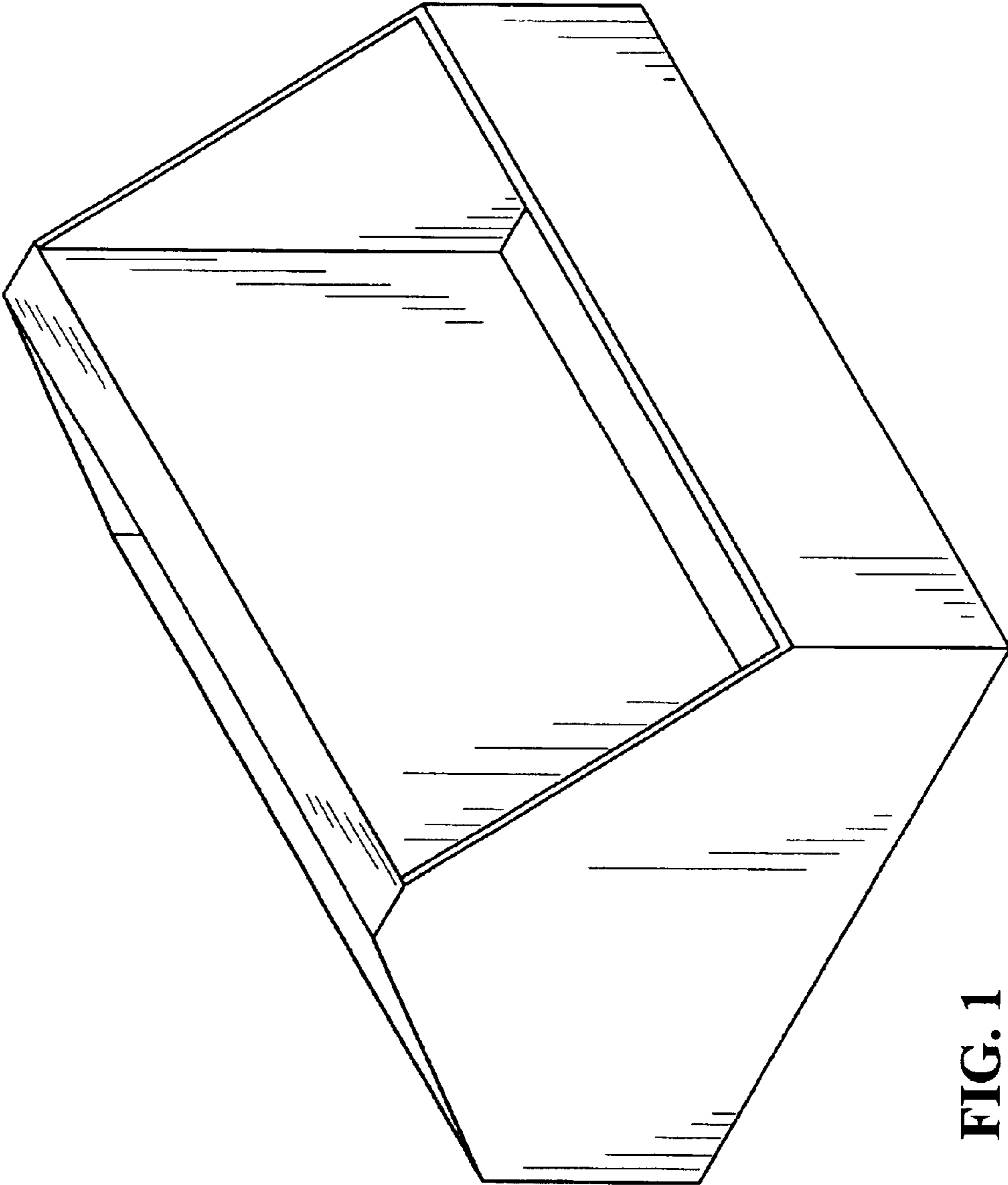
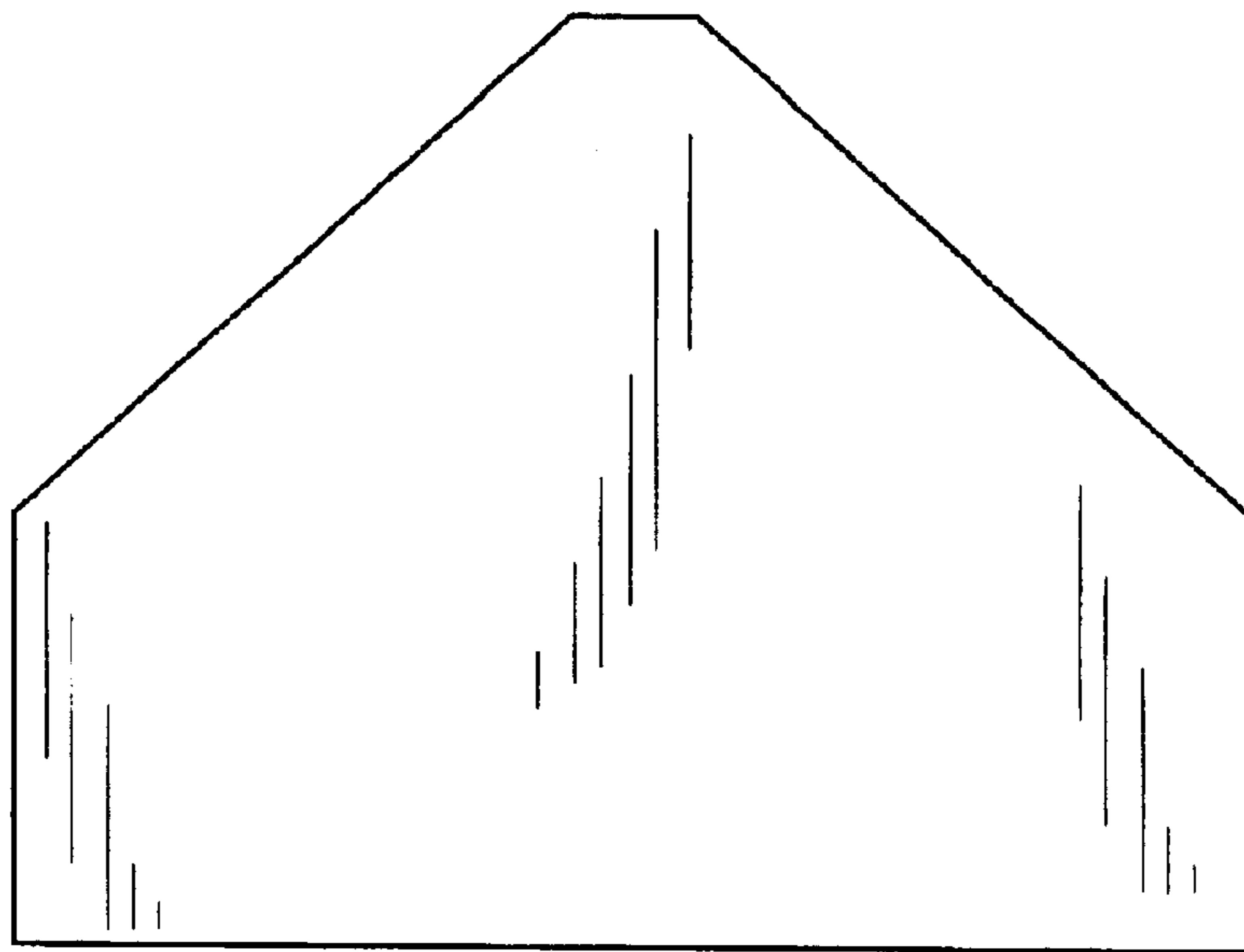
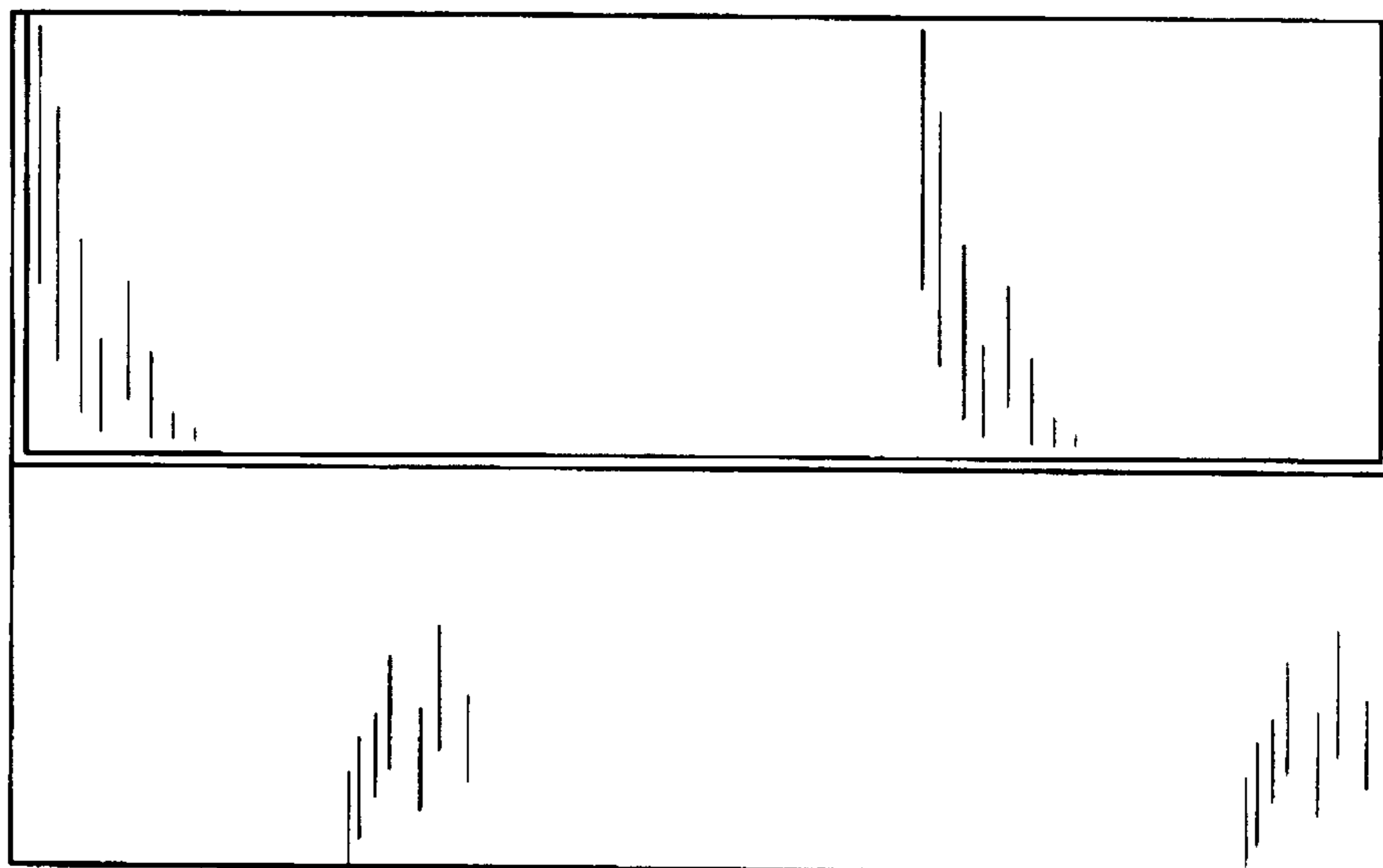


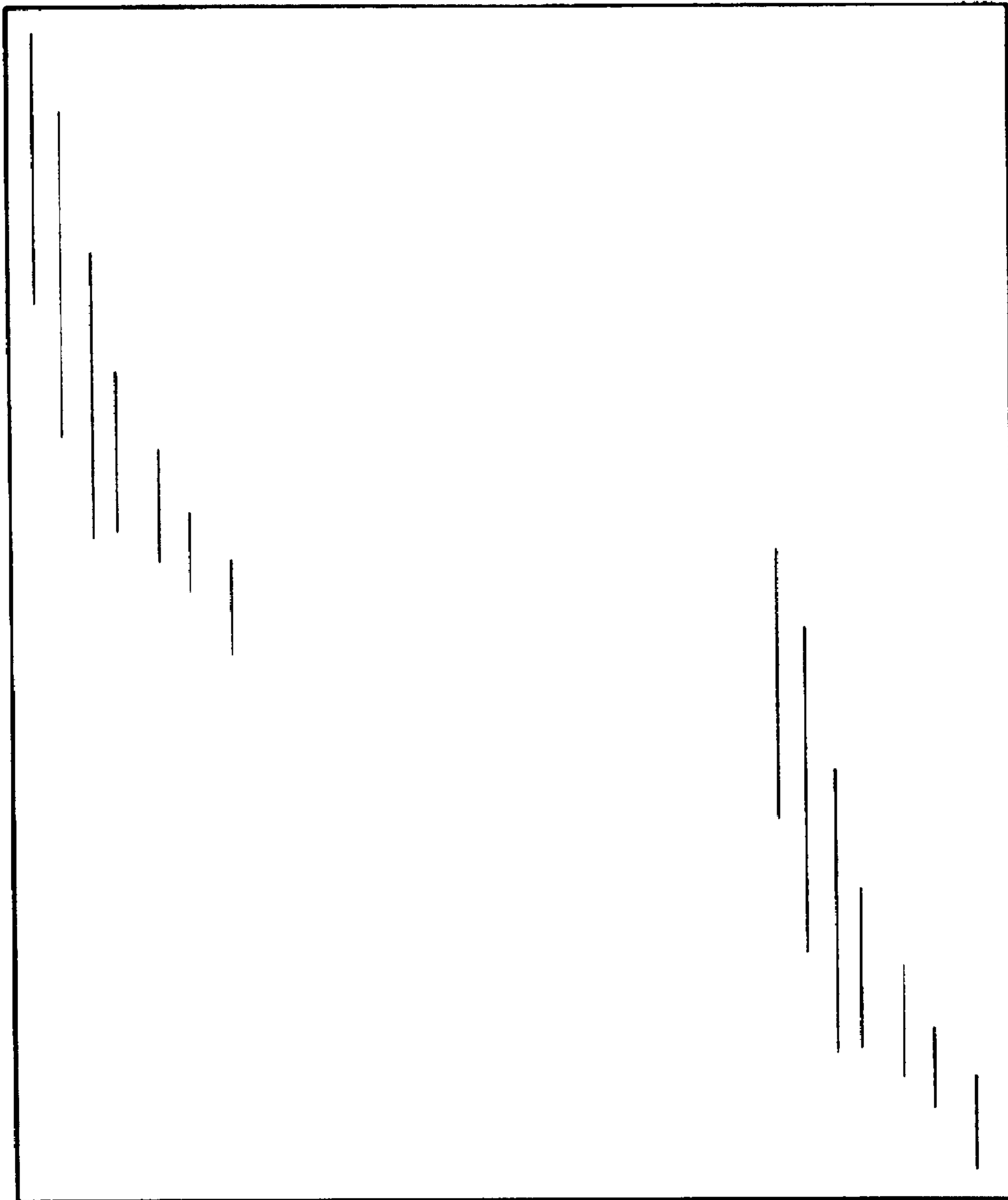
FIG. 1



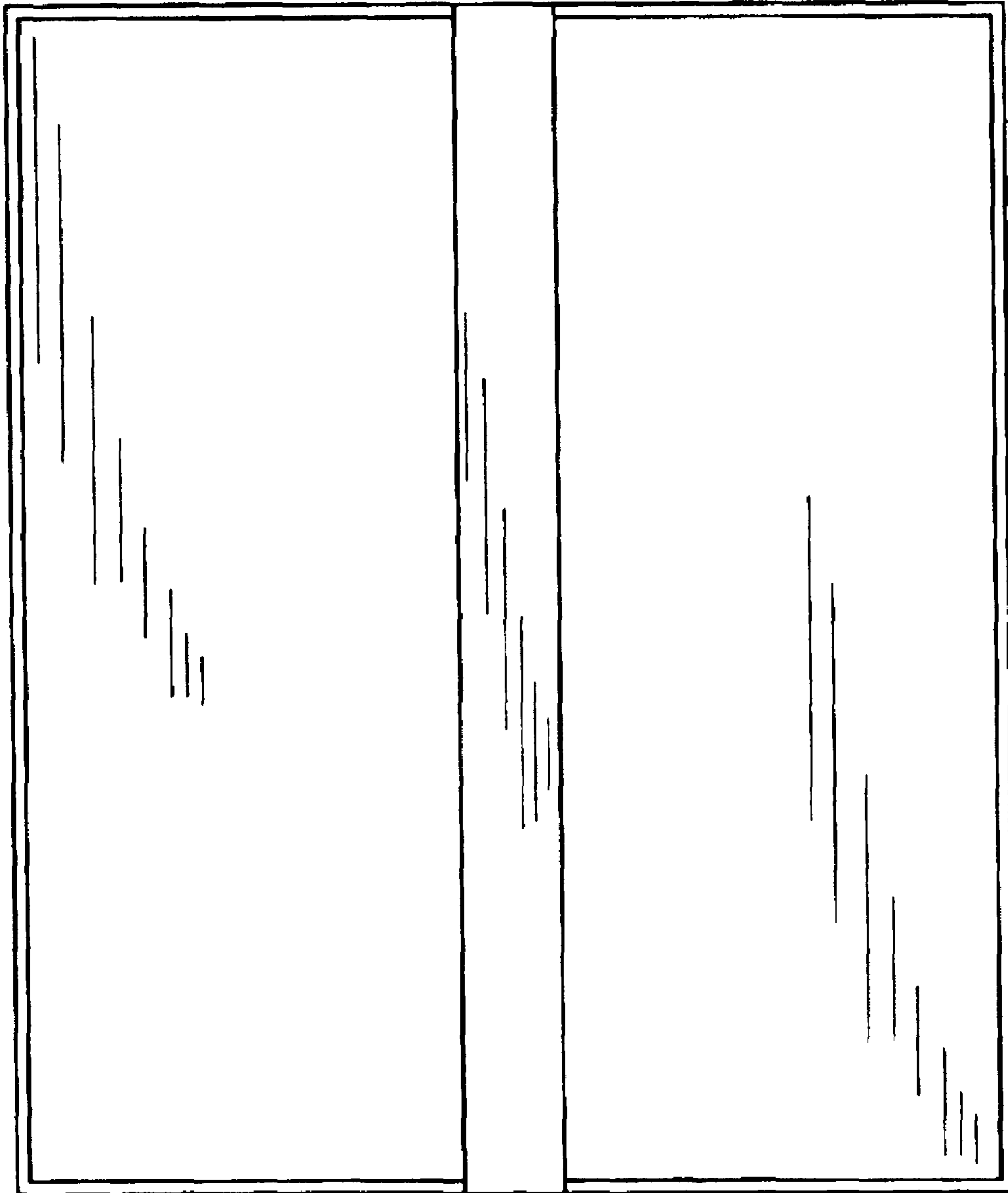
**FIG. 2**



**FIG. 3**



**FIG. 4**



**FIG. 5**