

US00D493302S1

(12) **United States Design Patent** (10) **Patent No.:** **US D493,302 S**
Sabo et al. (45) **Date of Patent:** **** Jul. 27, 2004**

(54) **STORAGE BOX**

Cedar Storage Chest, Smith & Hawken.

(75) Inventors: **Irving Sabo**, Milton, VT (US); **Paul Marcus**, Hopkinton, MA (US)

* cited by examiner

(73) Assignee: **Brookbend Outdoor Furniture**, Hopkinton, MA (US)

Primary Examiner—Cathron Brooks
(74) *Attorney, Agent, or Firm*—Heslin Rothenberg Farley & Mesiti P.C.; John Pietrangelo

(**) Term: **14 Years**

(57) **CLAIM**

(21) Appl. No.: **29/193,656**

The ornamental design for a storage box, as shown and described.

(22) Filed: **Nov. 12, 2003**

(51) **LOC (7) Cl.** **06-04**

DESCRIPTION

(52) **U.S. Cl.** **D6/440**; D6/448

(58) **Field of Search** D6/336, 349, 353, D6/432, 436, 440, 446, 448; D3/272, 273, 294, 296, 297; 312/204, 213, 249.1, 249.8

FIG. 1 is a perspective view of a storage box comprising the new design;

FIG. 2 is a top view thereof;

FIG. 3 is a front elevational view thereof, where the rear elevational view is a mirror image thereof;

FIG. 4 is a right side elevational view thereof, where the left side elevational view is a mirror image thereof;

(56) **References Cited**

U.S. PATENT DOCUMENTS

D142,274 S	8/1945	Kohen	D58/4
D144,590 S	4/1946	Schutes	D33/14
D209,292 S	11/1967	Ungaro	D33/19
D225,116 S	11/1972	Krajieski	D29/20
D228,803 S	10/1973	Hunt	D56/4 C
3,873,114 A	3/1975	Brown	280/30
D262,848 S	* 2/1982	Dowse	D6/446
4,436,353 A	3/1984	Tucker	312/241
5,099,768 A	3/1992	Kirchner	108/138
D332,332 S	* 1/1993	Markey	D34/1
D337,439 S	* 7/1993	Scott et al.	D6/336
D368,387 S	4/1996	Bureau	D6/397
D382,730 S	8/1997	Hsu et al.	D6/440
5,816,432 A	10/1998	Hammen et al.	220/530
5,873,643 A	* 2/1999	Burgess et al.	312/290
D429,418 S	* 8/2000	Tisbo et al.	D3/272
6,513,889 B1	* 2/2003	Park	312/206
2002/0078865 A1	6/2002	Kuvshnikov	108/143

FIG. 5 is a perspective view of an alternate embodiment of a storage box, portions of which are cut away to illustrate indeterminate length, which is the sole difference between it and FIGS. 1 through 4;

FIG. 6 is a perspective view of the claimed design, shown in an alternate position of use where outer lids of the claimed design are shown partially opened;

FIG. 7 is a perspective view of the claimed design, shown in an alternate position of use where outer lids of the claimed design are shown opened to a horizontal position; and,

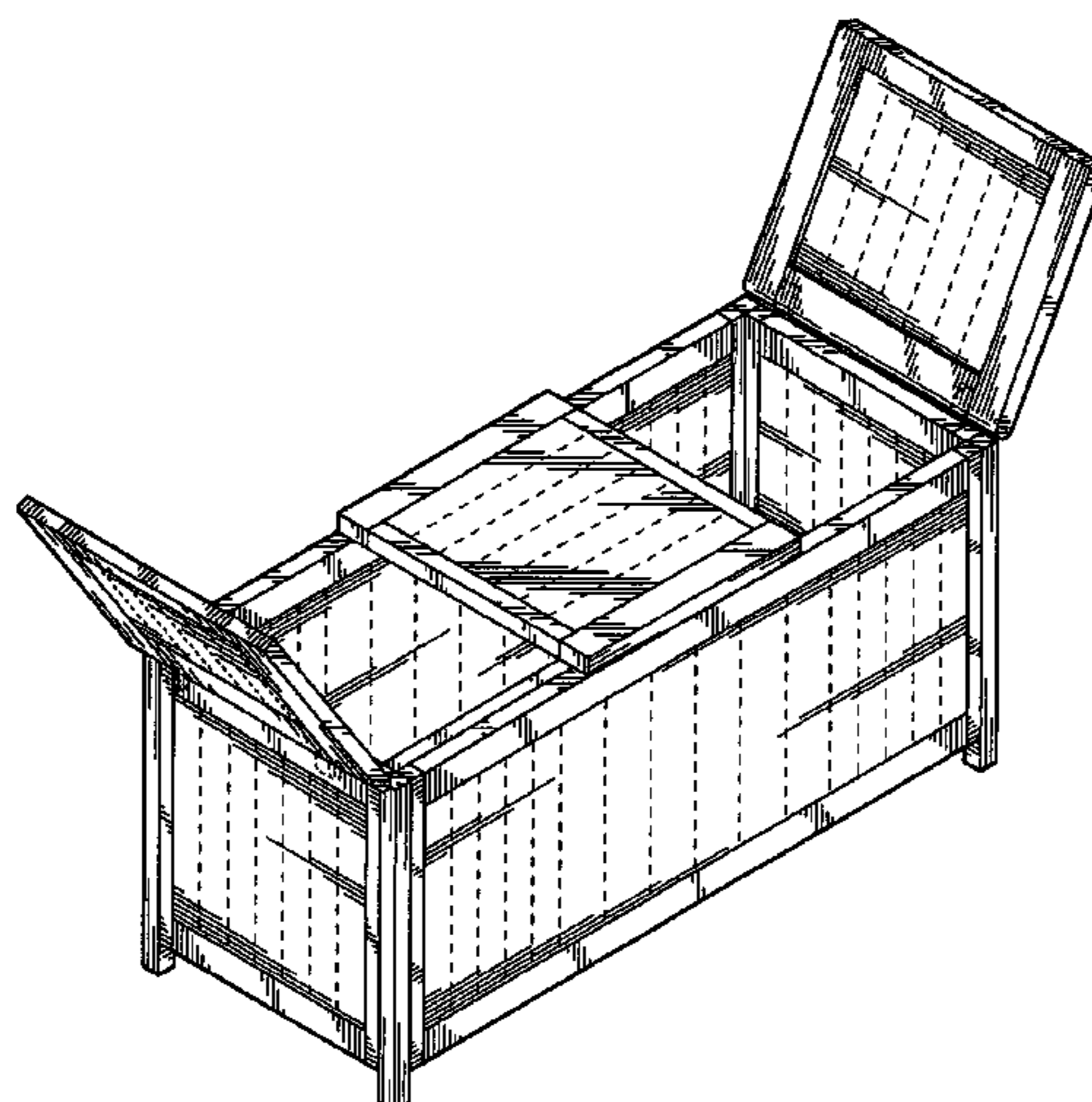
FIG. 8 is a perspective view of the claimed design, shown in an alternate position of use where outer lids of the claimed design are shown opened to a downwardly-directed vertical position and a center lid is separated.

The broken lines are for illustrative purposes and form no part of the claimed design.

OTHER PUBLICATIONS

Teak Ice Chest, Smith & Hawken.
Teak Storage Chest, Smith & Hawken.
Teak Pool Box, Smith & Hawken.

1 Claim, 7 Drawing Sheets



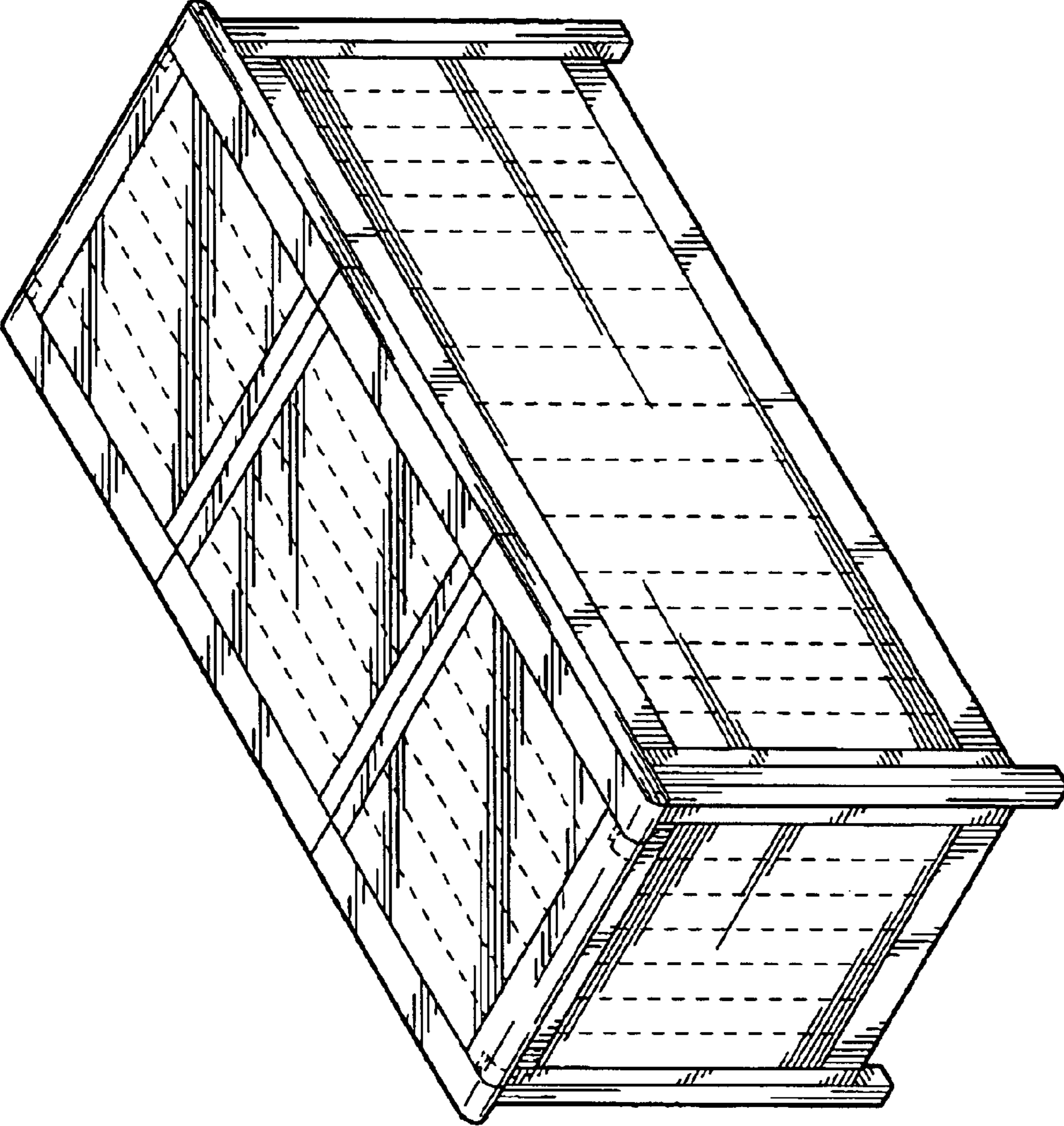


FIG. 1

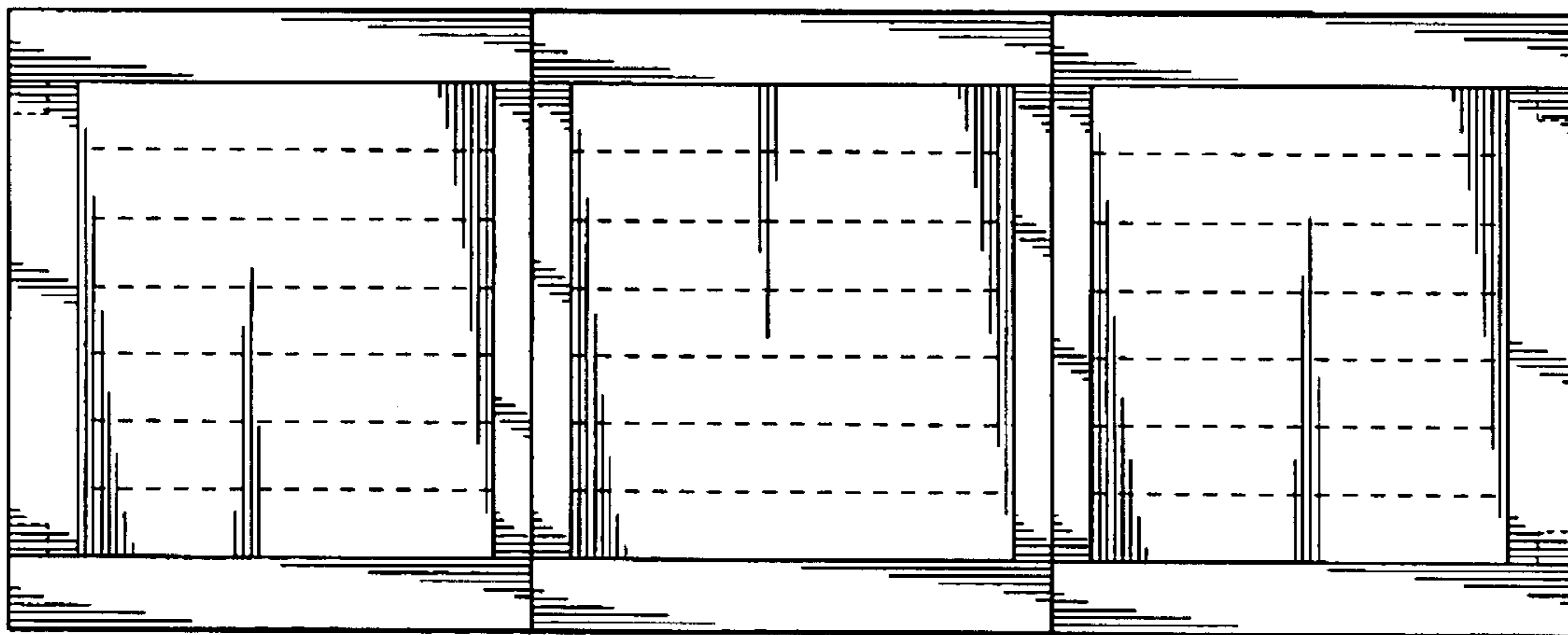


FIG. 2

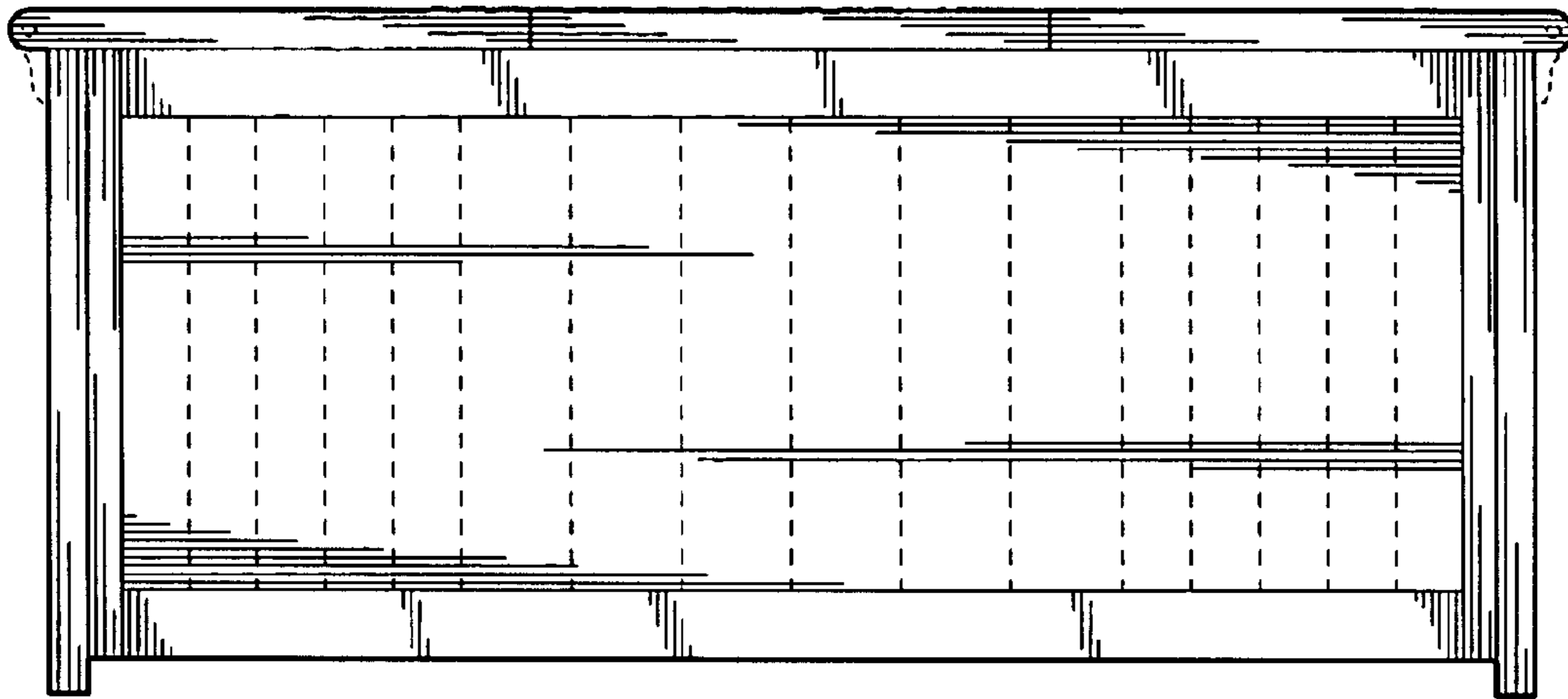


FIG. 3

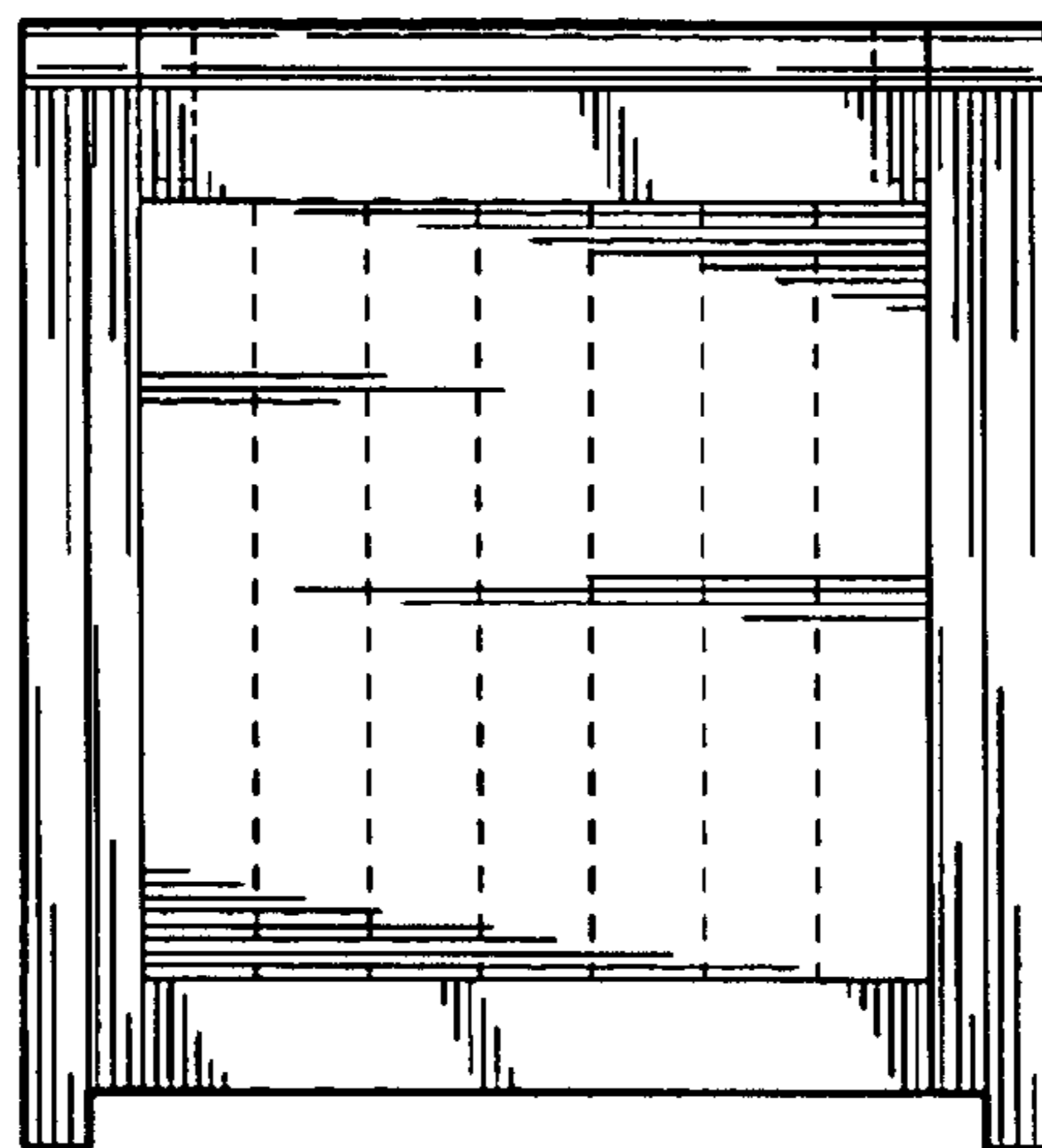


FIG. 4

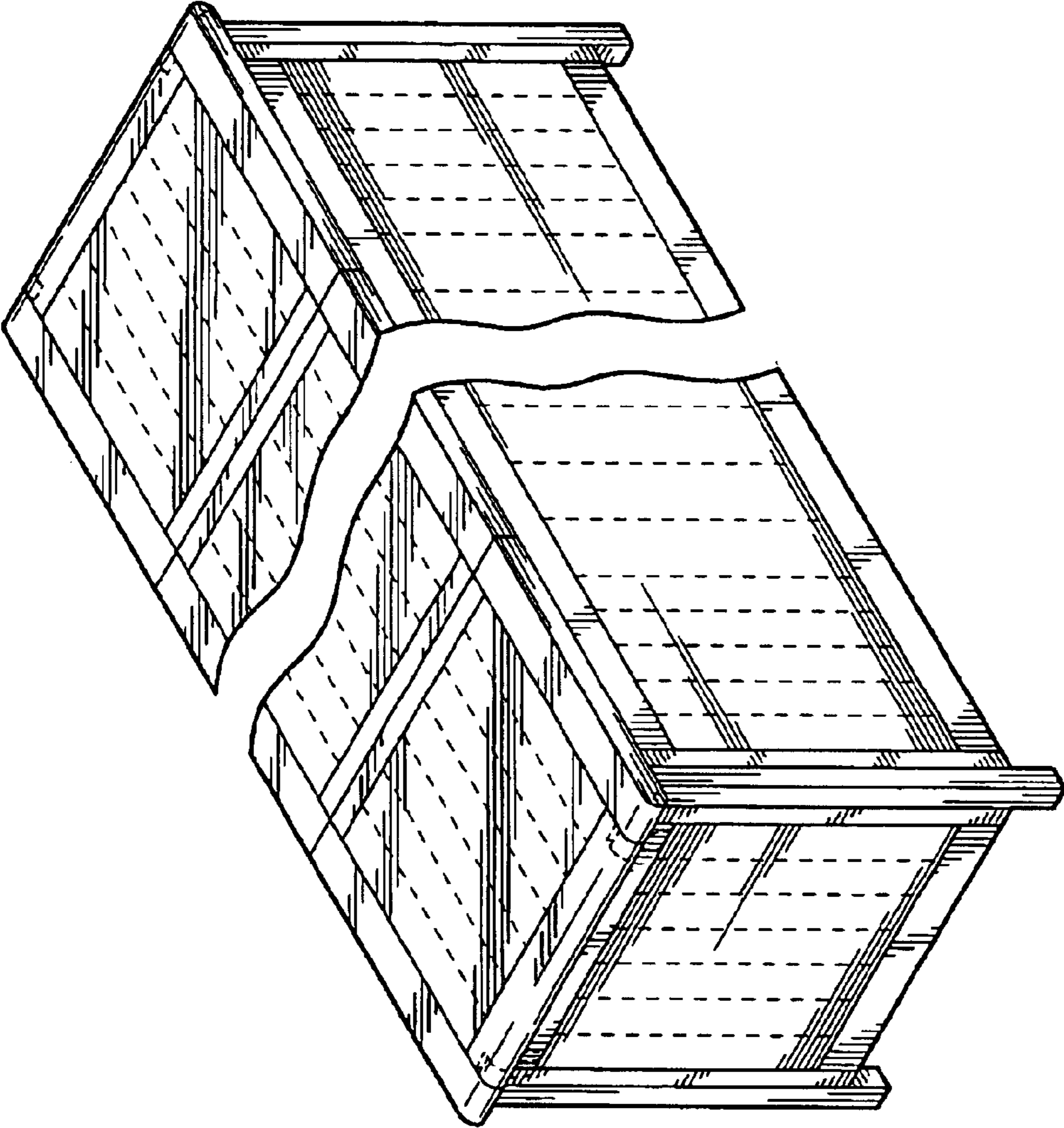


FIG. 5

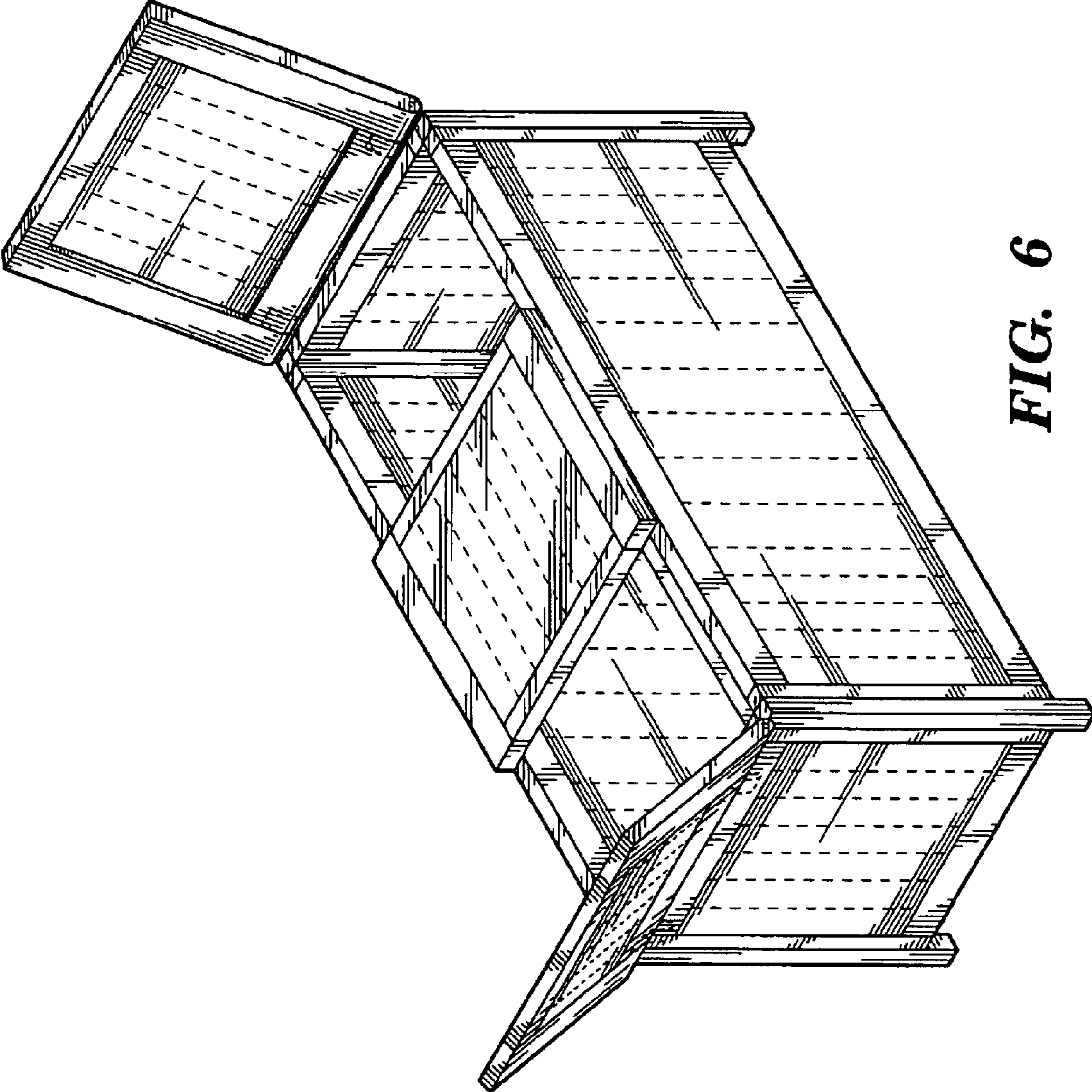


FIG. 6

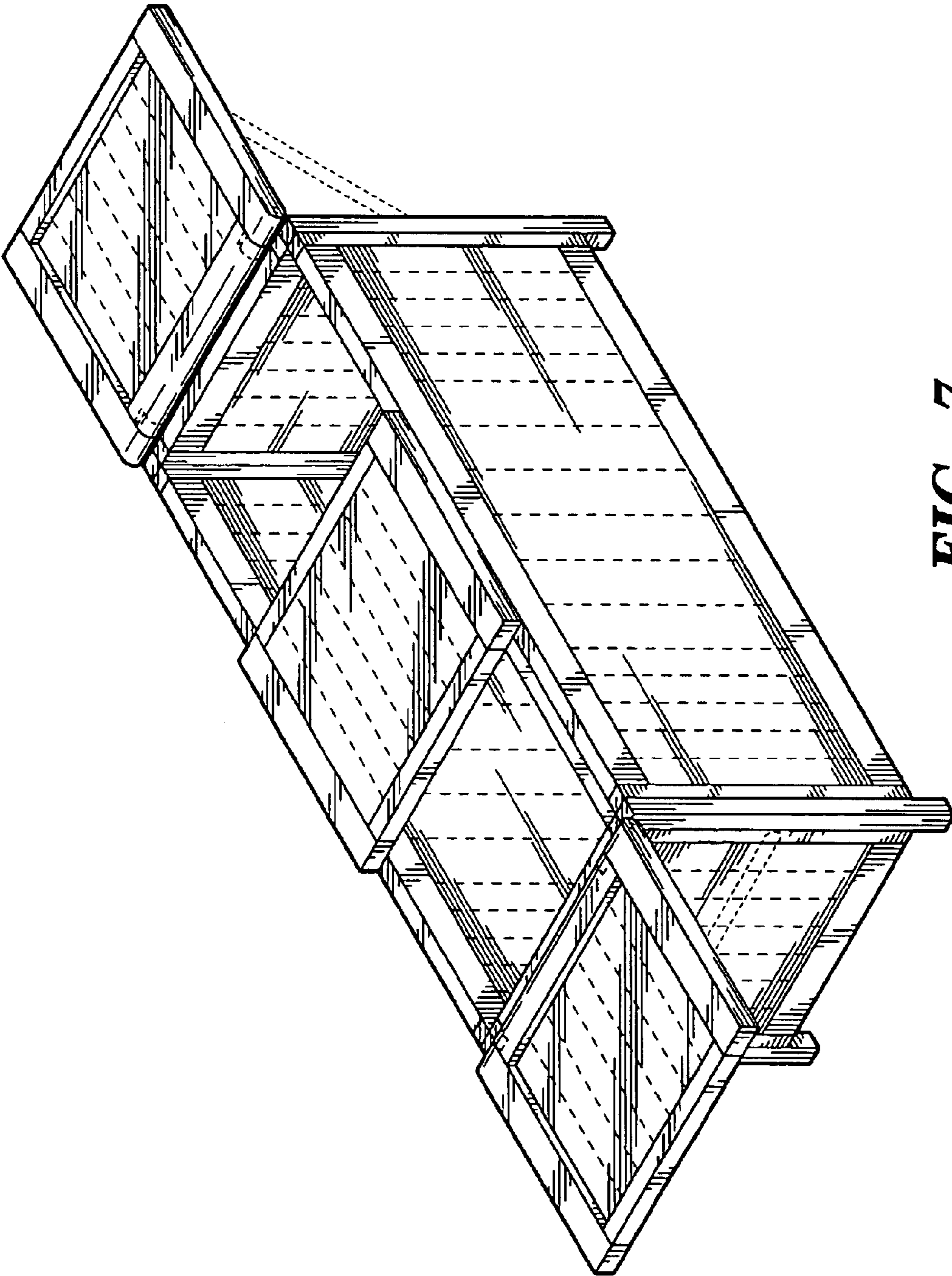


FIG. 7

